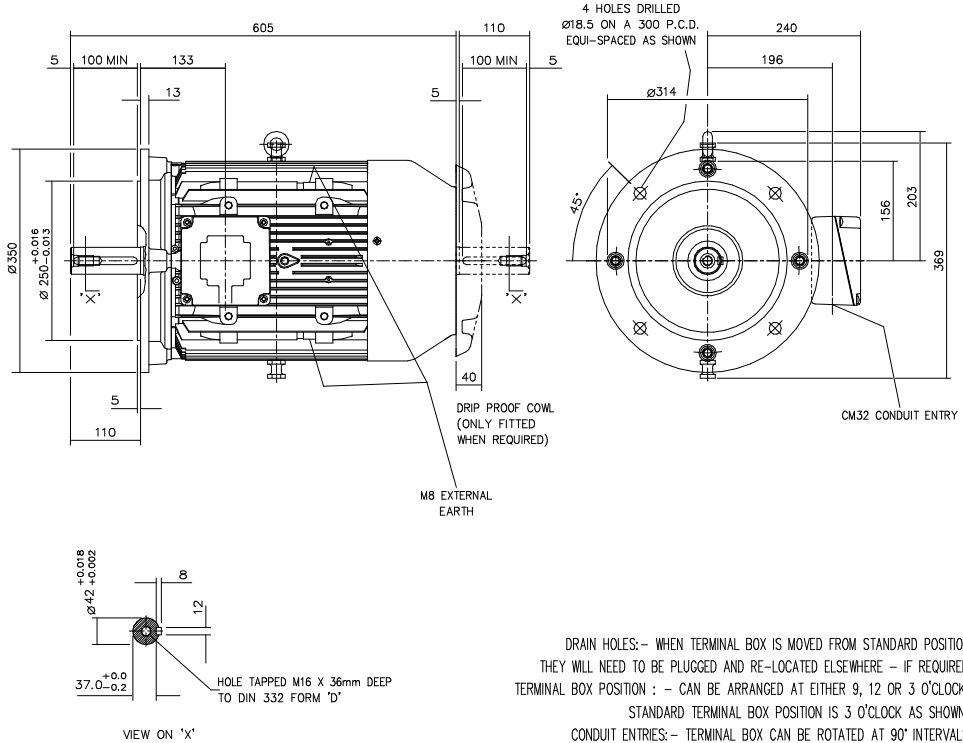


DRG. No. W29GD004/4  
 DRG. REF.



|                 |       |      |
|-----------------|-------|------|
| CUSTOMER        |       |      |
| ORDER No.       |       |      |
| PART No.        |       |      |
| OUR ORDER No.   |       |      |
| FRAME SIZE      |       |      |
| KW.             | RPM.  |      |
| Hz              | PHASE |      |
| VOLTS           | POLES |      |
| BRGS.           | DE.   | NDE. |
| MOTOR NETT WT.  |       | Kg.  |
| SPECIAL REMARKS |       |      |

ALL DIMENSIONS IN MILLIMETRES.

FIRST ANGLE PROJECTION

**BROOK CROMPTON**

Huddersfield, HD1 3LJ ENGLAND

DRAIN HOLES: - WHEN TERMINAL BOX IS MOVED FROM STANDARD POSITION THEY WILL NEED TO BE PLUGGED AND RE-LOCATED ELSEWHERE - IF REQUIRED

TERMINAL BOX POSITION: - CAN BE ARRANGED AT EITHER 9, 12 OR 3 O'CLOCK.

STANDARD TERMINAL BOX POSITION IS 3 O'CLOCK AS SHOWN.

CONDUIT ENTRIES: - TERMINAL BOX CAN BE ROTATED AT 90° INTERVALS (CONDUIT ENTRY POSITION SHOWN FOR ILLUSTRATION ONLY).

|            |   |
|------------|---|
| SHEET SIZE | TITLE   |
| A3         | OUTLINE DIMENSION DRAWING W ALUMINIUM TOTALLY ENCLOSED FAN COOLED 160M/L FRAME 'D' FLANGE MOUNTED MOTOR |

|         |       |          |
|---------|-------|----------|
|         | NAME  | DATE     |
| DRAWN   | MI    | 22-08-95 |
| CHECKED | JWD   | 22-08-95 |
| SCALE   | 1 : 5 |          |

|           |            |      |          |
|-----------|------------|------|----------|
| DRG. No.  | W29GD004/4 |      |          |
| DRG. REF. |            |      |          |
| REVISION: | DH         | DATE | 28/10/03 |