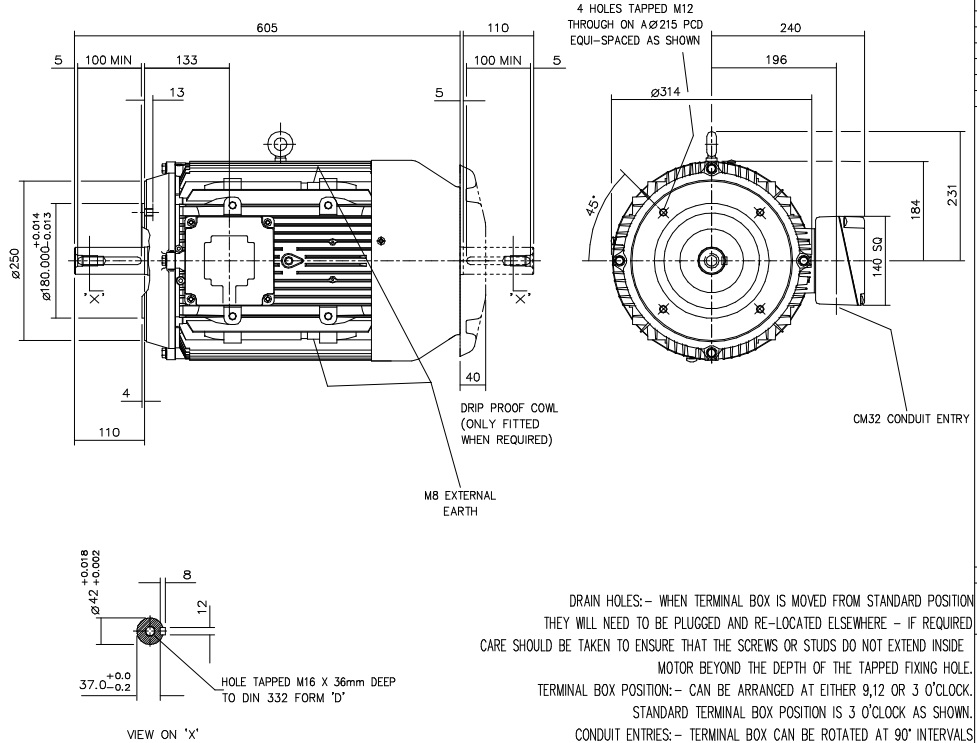


DRG. No. W29GC002/3
 DRG. REF.



DRAIN HOLES: - WHEN TERMINAL BOX IS MOVED FROM STANDARD POSITION THEY WILL NEED TO BE PLUGGED AND RE-LOCATED ELSEWHERE - IF REQUIRED CARE SHOULD BE TAKEN TO ENSURE THAT THE SCREWS OR STUDS DO NOT EXTEND INSIDE MOTOR BEYOND THE DEPTH OF THE TAPPED FIXING HOLE.
 TERMINAL BOX POSITION: - CAN BE ARRANGED AT EITHER 9,12 OR 3 O'CLOCK. STANDARD TERMINAL BOX POSITION IS 3 O'CLOCK AS SHOWN.
 CONDUIT ENTRIES: - TERMINAL BOX CAN BE ROTATED AT 90° INTERVALS (CONDUIT ENTRY POSITION SHOWN FOR ILLUSTRATION ONLY).

CUSTOMER		
ORDER No.		
PART No.		
OUR ORDER No.		
FRAME SIZE		
KW.	RPM.	
Hz	PHASE	
VOLTS	POLES	
BRGS.	DE.	NDE.
MOTOR NETT WT.		Kg.
SPECIAL REMARKS		

ALL DIMENSIONS IN MILLIMETRES.



FIRST ANGLE PROJECTION

BROOK CROMPTON

Huddersfield, HD1 3LJ ENGLAND

SHEET TITLE
 SIZE A3 OUTLINE DIMENSION DRAWING W ALUMINIUM TOTALLY ENCLOSED FAN COOLED 160M/L 'C' FACE MOUNTED MOTOR

	NAME	DATE
DRAWN	VLS	06-10-98
CHECKED	DRM	06-10-98
SCALE	1 : 5	

DRG. No.	W29GC002/3		
DRG. REF.			
REVISION:	RR	DATE	16/05/03