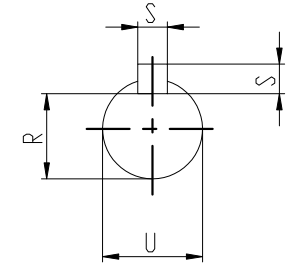
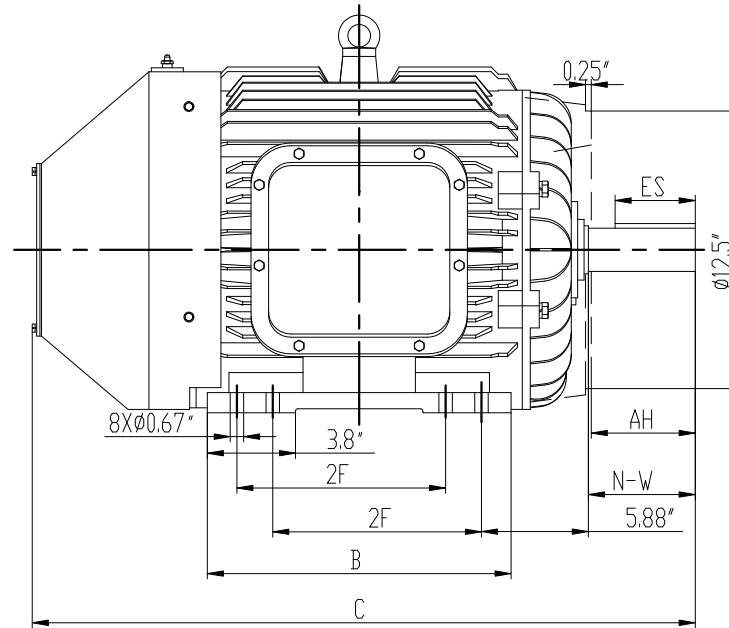
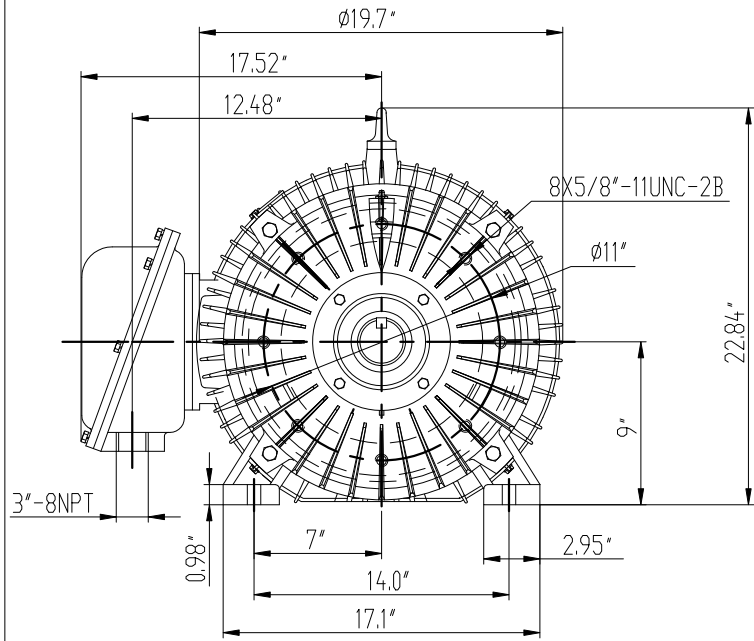


1AP.050.0557.1-12WXY



MODEL	U	R	S	N-W	C	ES	AH	2F	B
NSHE364TS/TSC-2 60HP	1.875"	1.591"	0.5"	3.75"	34.84"	2.05"	3.5"	11.25"	15.47"
NSHE365TS/TSC-2 75HP					37.72"			12.25"	17.24"
NSHE364T/TC-2 60HP	2.375"	2.021"	0.625"	5.88"	34.84"	4.29"	5.62"	11.25"	15.47"
NSHE365T/TC-2 75HP					37.72"			12.25"	17.24"
NSHE364TS/TSC-4 60HP	1.875"	1.591"	0.5"	3.75"	34.84"	2.05"	3.5"	11.25"	15.47"
NSHE365TS/TSC-4 75HP					37.72"			12.25"	17.24"
NSHE364T/TC-4 60HP	2.375"	2.021"	0.625"	5.88"	34.84"	4.29"	5.62"	11.25"	15.47"
NSHE365T/TC-4 75HP					37.72"			12.25"	17.24"
NSHE364T/TC-6 40HP	2.375"	2.021"	0.625"	5.88"	34.84"	4.29"	5.62"	11.25"	15.47"
NSHE365T/TC-6 50HP					37.72"			12.25"	17.24"
NSHE364T/TC-8 30HP	2.375"	2.021"	0.625"	5.88"	34.84"	4.29"	5.62"	11.25"	15.47"
NSHE365T/TC-8 40HP					37.72"			12.25"	17.24"

LET.	REVISION	BY	DATE
	DESIGN	REN XIADHUA	
	REVIEW	XIE XIADLONG	
	APPROVE	YU JIABIN	
	DATE	20170522	

NSHE360 MOTOR

F-1

1AP.050.0557.1-12WXY

WEIGHT	SCALE
	1:1

