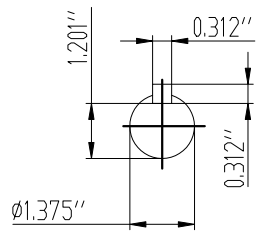
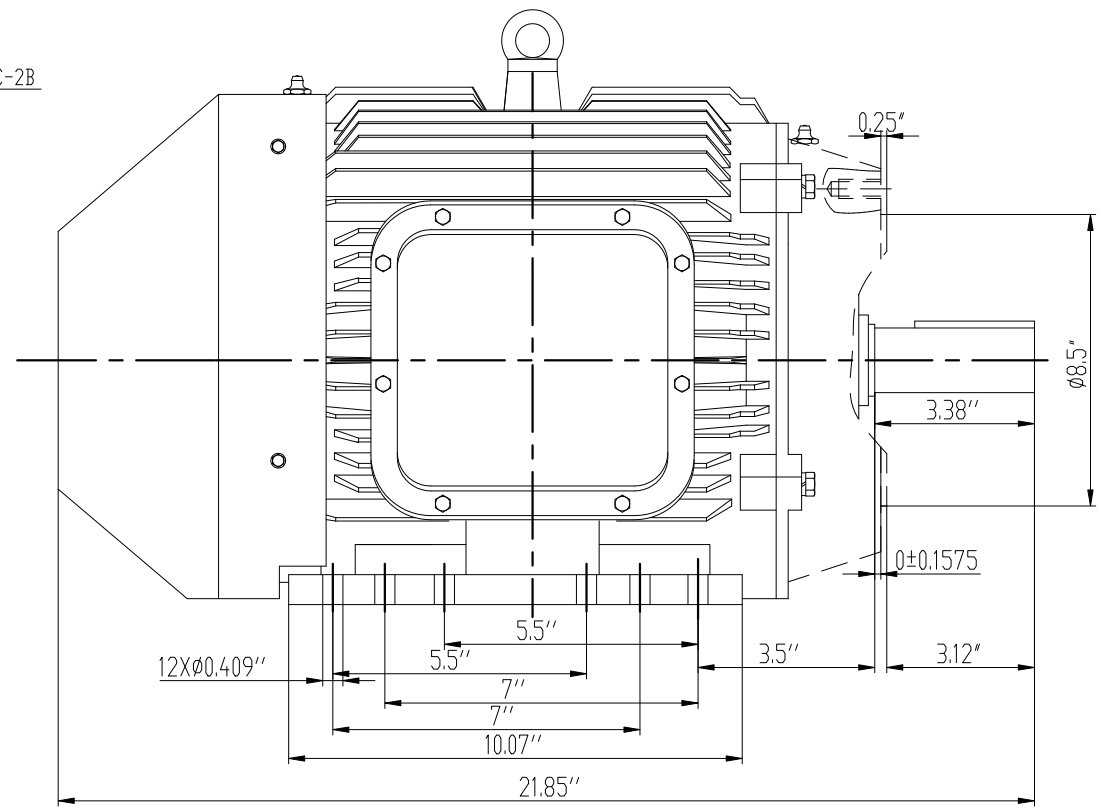
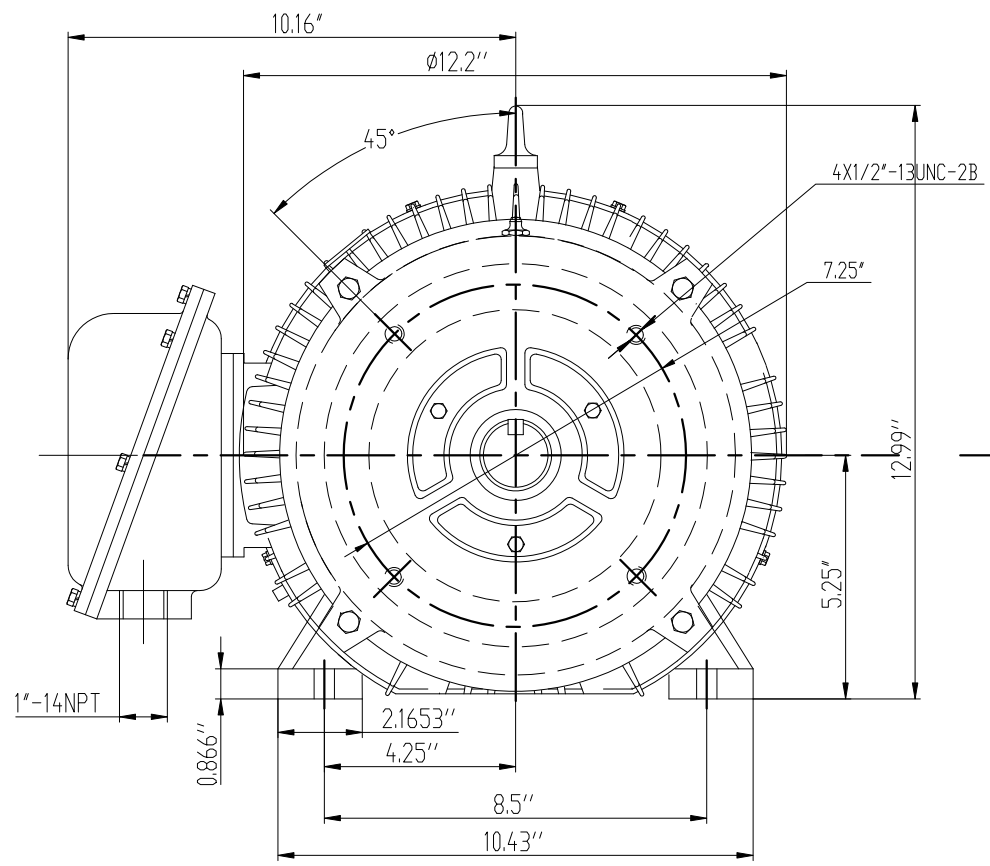


1AP.050.0553.1-8WX



LET.	REVISION	BY	DATE
	DESIGN	REN XIADHUA	
	REVIEW	XIE XIADLONG	
	APPROVE	YU JIABIN	
	DATE	20170524	

NSHE210 MOTOR

F-1

1AP.050.0553.1-8WX

WEIGHT	SCALE
	1:1

BROOK CROMPTON
Keeping Industry Turning