

**NEMA Motors**

General Single Phase 56C - Rolled Steel - TEFC  
Pricing..... 5  
Drawing..... 104-105



Farm Duty Single Phase 56C - Rolled Steel - TEFC  
Pricing..... 6  
Drawing..... 104-105

W-Series - Aluminum 56/56C Frame - TEFC  
Pricing..... 7-9  
Drawing..... 102-103

W-Series - Aluminum 143T-286T - TEFC  
Pricing..... 10-16  
Drawing ..... 102-103

W-Series - Cast Iron - TEFC  
Pricing..... 17-26  
Drawing..... 102-103



IEEE841 Motors  
Pricing..... 27-33  
Drawing..... 102-103

Explosion Proof - TEFC  
Pricing..... 34-38  
Drawing..... 102-103

JM/JP Close Coupled Pump Motors - TEFC  
Pricing..... 39-43  
Drawing..... 106

Two Speed Motors - TEFC  
Pricing..... 44-50  
Drawing..... 102-103

Brake Motors - TEFC  
Pricing.....51-53  
Drawing .....102-103

**IEC Motors**

W-Series - Aluminum - TEFC  
Pricing..... 54-60  
Drawing..... 98-99

W-Series - Cast Iron - TEFC  
Pricing..... 61-69  
Drawing..... 98-99

ATEX Classification Breakdown .....70

ATEX EExd - Explosion Proof - TEFC  
Pricing..... 71-76  
Drawing..... 100-101

ATEX EExde - Explosion Proof - TEFC  
Pricing..... 77-82  
Drawing..... 100-101

ATEX EExnA - Non-Sparking - TEFC  
Pricing..... 83-88  
Drawing..... 100-101

Brake Motors - TEFC  
Pricing.....89-92  
Drawing.....98-99

**Brakes**

Witton Kramer PG/PM Brakes  
Pricing..... 93-95  
Drawing.....93-95

**Modifications**

Mounting Accessories ..... 96  
Modifications Prices..... 97

**Miscellaneous**

General Information ..... 2  
Part Number Breakdown..... 3  
Website..... 4  
Ingress Protection Definition ..... 107  
Mounting Codes ..... 108  
Notes Index ..... 109  
Index ..... 110-119

Prices Shown in this publication are list:  
Subject to change without notice.  
Subject to our Standard Terms and Conditions of Sale

Dimensions should not be used for installation purposes.  
Certified drawings can be supplied at time of order receipt.



### **List Prices and Discounts**

All prices in this catalog are list prices and are exclusive of any applicable taxes. Contact your Brook Crompton distributor or a Brook Crompton Regional office for your applicable discount.

### **Manufacturing Policy**

Every care has been taken to ensure the accuracy of the information contained in this publication; however, due to our policy of continuous development and improvement, the right is reserved to supply products which may differ slightly from those illustrated and described in this publication.

### **Warranty Policy**

Brook Crompton warrants its NEMA and IEC integral horsepower motors to be free from defect in materials and workmanship and to conform to its written specifications for a period of 36 months from date of first use or 42 months from date of manufacture, whichever period shall expire first. Additionally, Brook Crompton warrants its NEMA 56 frame / 63-80 frame IEC and single phase motors to be free from defect in materials and workmanship and to conform to its written specifications for a period of 12 months from date of first use or 18 months from date of manufacture, whichever period shall expire first. Brook Crompton warrants its NEMA IEEE841 motors to be free from defect in materials and workmanship and to conform to its written specifications for a period of 60 months from date of first use or 66 months from date of manufacture, whichever period shall expire first.

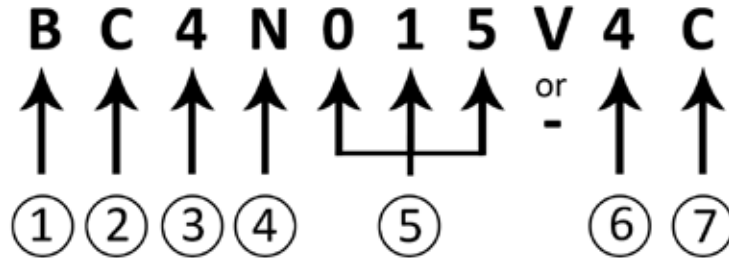
Brook Crompton reserves the right to repair or replace, solely at their discretion, any motors that are deemed to have failed during the warranty period stated above.

### **Service Procedures**

1. Contact Brook Crompton immediately.
2. Provide full details: i.e. HP, frame, serial number, and date of purchase.
3. Brook Crompton will establish if service or replacement is required and if a valid warranty exists.

Brook Crompton will cover under warranty the repair or replacement of the defective unit. Brook Crompton will not be liable for any freight charges and/or installation/removal costs associated with the repair/replacement.

# Part Number Breakdown



- ① Motor Series/Model
- ② Material:
  - C - Cast Iron
  - A - Aluminum
  - S - Rolled Steel
  - F - Aluminum Fractional
- ③ Number of Poles
- ④ NEMA (N) or Metric/IEC (M)
- ⑤ Horsepower (3 Digits)
- ⑥ Voltage:
  - 1 - 115/230 V 60Hz
  - 2 - 208-230/460 V 60Hz
  - 3 - 208/416 V 60Hz
  - 4 - 230/460 V 60Hz,  
190/380-415 V 50Hz
  - 5 - 575 V 60Hz
  - 6 - 190/380 V 50Hz
  - 7 - 200/400 V 50Hz
  - 8 - 230 V 60Hz
  - 9 - 440/460/480 V 60Hz
  - W - 220-240/380-415 V 50Hz
  - E - 380-415/660-720 V 50Hz
- ⑦ Mounting:
  - Blank - Foot Mounted (B3)
  - C - C-Face With Feet (B34)
  - D - D-Flange With Feet (B35)

Above part number is:

**B:** W-Series

**C:** Cast Iron

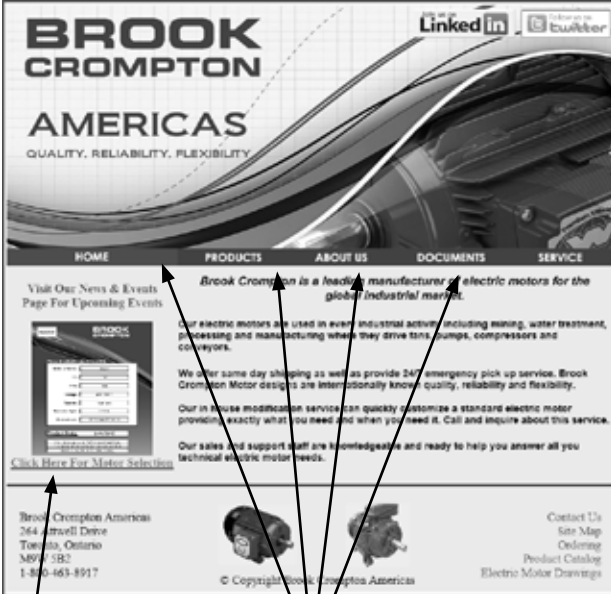
**4:** 4 Pole (1800 rpm 60Hz/  
1500 rpm 50Hz)

**N:** NEMA

**015:** 15 HP

**4:** 230/460 V

**C:** C-Face with feet



**Header Tabs:**  
Choose from one of our main header tabs to view details about our products and services

**Brook Crompton Data Package:**  
Search for a part number or input the specs to find all of the data for our motors

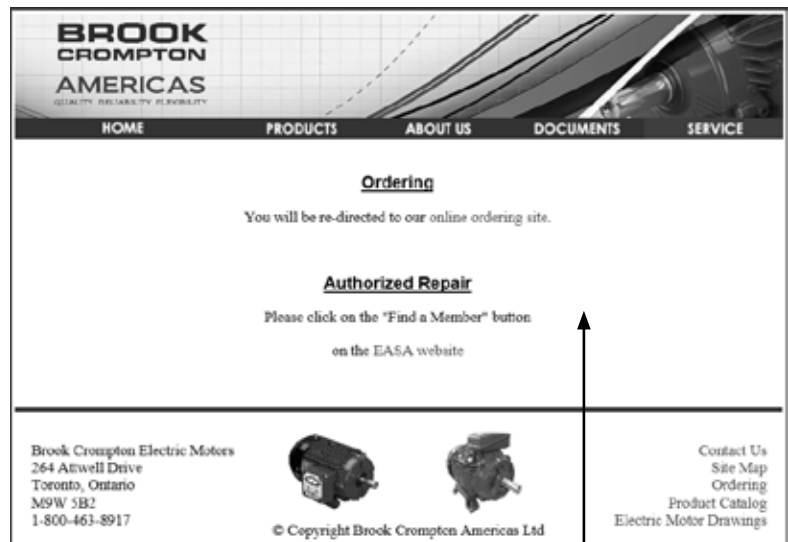


**Side tabs**  
Use the side tabs to see more options under the main header tab

**Technical Drawings**  
Search for a motor by frame size to view the technical drawing for that motor



**Products Page:**  
View the details and a picture of all the motors in our product line



**Online Order & Quote Website**  
Search for stock, check prices, and order products using our online system. Contact Brook Crompton for access to this online tool

**Single Phase 56C - TEFC  
Rolled Steel Construction**



Single Phase NEMA 56C Rolled Steel Frame Motors. Totally Enclosed Fan Cooled.

- 0.33 HP to 2 HP
- 115/208-230V
- Class F insulation
- Locked drive-end bearing
- 1.15 service factor
- Belt drive or close coupled applications
- Feet welded to motor
- Black paint
- 1 year warranty

HP	RPM	Frame	Voltage	P/N	List	FL Amps	C Dim. (IN)	LBS
0.33	3600	56C	115-208/230V	SS2N.33-1C	\$215	2.6	11.9	23
	1800	56C	115-208/230V	SS4N.33-1C	\$277	2.4	11.9	22
0.50	3600	56C	115-208/230V	SS2N.50-1C	\$263	3.3	11.9	26
	1800	56C	115-208/230V	SS4N.50-1C	\$295	3.2	11.9	23
0.75	3600	56C	115-208/230V	SS2N.75-1C	\$263	4.3	13.07	30
	1800	56C	115-208/230V	SS4N.75-1C	\$356	4.4	13.07	25
1	3600	56C	115-208/230V	SS2N001-1C	\$317	5.4	13.07	36
	1800	56C	115-208/230V	SS4N001-1C	\$386	5.6	13.07	40
1.5	3600	56C	115-208/230V	SS2N1.5-1C	\$361	6.9	14.45	45
	1800	56C	115-208/230V	SS4N1.5-1C	\$416	6.7	14.45	48
2	3600	56C	115-208/230V	SS2N002-1C	\$381	9	14.45	40
	1800	56C	115-208/230V	SS4N002-1C	\$470	8.9	14.45	50

Discount Category **05**

General Single Phase
Farm Duty Single Phase
Fractional 56/56C
NEMA Aluminum
NEMA Cast Iron
NEMA IEE841
NEMA Explosion Proof
Close Coupled Pump Motor
NEMA 2 Speed Motor
NEMA Brake Motor

General  
Single Phase

Farm Duty  
Single Phase

Fractional  
56/56C

NEMA  
Aluminum

NEMA  
Cast Iron

NEMA IEE841

NEMA  
Explosion Proof

Close Coupled  
Pump Motor

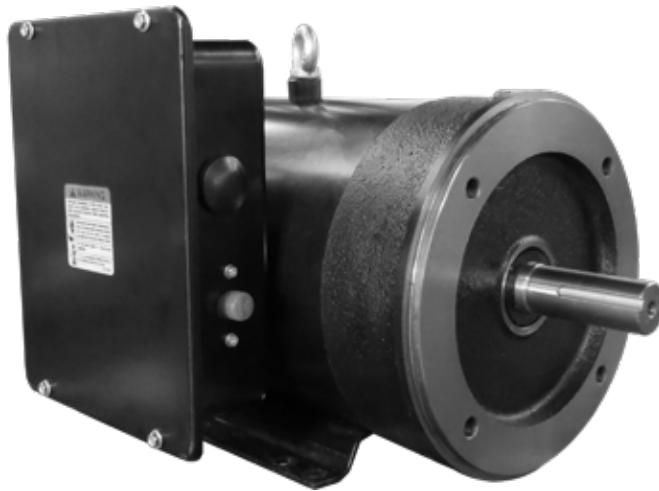
NEMA  
2 Speed Motor

NEMA  
Brake Motor



Single Phase NEMA 56C-213TC  
Rolled Steel Frame Motors.  
Totally Enclosed Fan Cooled.

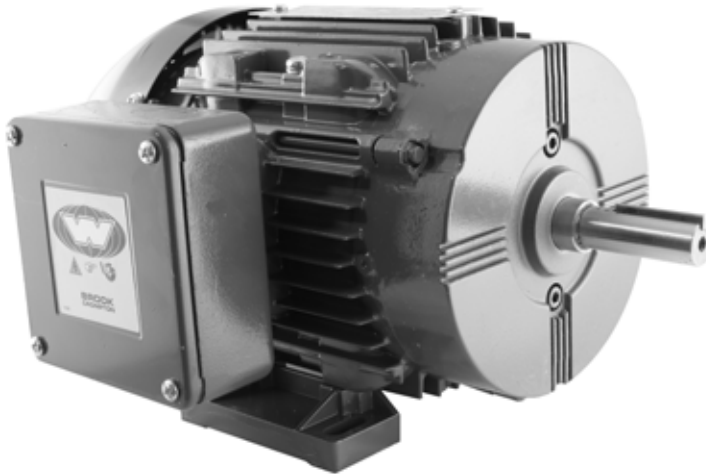
- 0.33 HP to 7.5 HP
- 115/208-230V & 230V
- Class F insulation
- Locked drive-end bearing
- 1.15 service factor
- IP54
- Belt drive or close coupled applications
- Feet welded to motor
- Black paint
- 1 year warranty



HP	RPM	Frame	Voltage	P/N	List	FL Amps	C Dim. (IN)	LBS
0.33	1800	56C	115-208/230V	SF4N.33-1C	\$297	2.4	11.8	23
0.5	1800	56C	115-208/230V	SF4N.50-1C	\$317	3.2	11.8	23
0.75	1800	56C	115-208/230V	SF4N.75-1C	\$381	4.4	13	25
1	1800	56C	115-208/230V	SF4N001-1C	\$411	5.6	13	36
1	1800	143TC	115-208/230V	SD4N001-1C	\$421	5.6	13.10	40
1.5	1800	56C	115-208/230V	SF4N1.5-1C	\$465	6.7	14.4	45
1.5	1800	145TC	115-208/230V	SD4N1.5-1C	\$465	6.7	14.4	48
2	1800	56C	115-208/230V	SF4N002-1C	\$524	8.9	14.4	48
2	1800	145TC	115-208/230V	SD4N002-1C	\$525	8.9	14.4	48
3	1800	182TC	230V	SD4N003-1C	\$844	13	19.6	92
5	1800	184TC	230V	SD4N005-1C	\$946	20.8	19.6	97
7.5	1800	213TC	230V	SD4N7.5-1C	\$1,546	30.5	22.6	145

Discount Category **52**

**W Series NEMA 56/56C, 3 Phase - TEFC  
Cast Aluminum Construction**



Lightweight High Performance Cast Aluminum Frames. Features Include:

- NEMA MG1-Part 31 inverter duty 5:1 constant torque, 10:1 variable torque
- 1.25 service factor at 60Hz, 1.0 service factor at 50Hz
- Class F insulation with class B temperature rise
- Removable/ repositionable feet for easy conversion to F1, F2, F3 (F0), or round body configuration
- IP55 degree of protection for washdown duty enclosure
- Full contact shaft seals inside both brackets for increased protection against contaminants
- Dual rated 60/50Hz at same HP
- Cast aluminum conduit box with drilled and tapped entry is rotatable in 90 degree increments
- CSA approved for Class I; Division 2; Groups A, B, C & D, Zone 2; Groups IIA & IIB T3 with VFD
- Internal tropicproof
- 1 year warranty

General Single Phase
Farm Duty Single Phase
Fractional 56/56C
NEMA Aluminum
NEMA Cast Iron
NEMA IEE841
NEMA Explosion Proof
Close Coupled Pump Motor
NEMA 2 Speed Motor
NEMA Brake Motor

General Single Phase
Farm Duty Single Phase
Fractional 56/56C
NEMA Aluminum
NEMA Cast Iron
NEMA IEEE841
NEMA Explosion Proof
Close Coupled Pump Motor
NEMA 2 Speed Motor
NEMA Brake Motor

HP	RPM	Frame	Voltage	P/N	List	FL Eff.	C Dim. (IN)	FL Amps	LBS	Notes
0.25	1800	56	230/460 V	BF4N.25V2	\$227	67.8	11.54	0.49	18	RF, TF, V
	1800	56	575 V	BF4N.25V5	\$227	67.8	11.54	0.39	18	RF, TF, V
	1200	56	230/460 V	BF6N.25V2	\$274	71.4	11.54	0.45	18	RF, TF, V
	1200	56	575 V	BF6N.25V5	\$274	71.4	11.54	0.36	18	RF, TF, V
	900	56	230/460 V	BF8N.25V2	\$297	62.3	11.54	0.68	18	RF, TF, V
	900	56	575 V	BF8N.25V5	\$297	62.3	11.54	0.54	18	RF, TF, V
0.33	3600	56	230/460 V	BF2N.33V2	\$239	73.6	11.54	0.49	18	RF, TF, V
	3600	56	575 V	BF2N.33V5	\$239	73.6	11.54	0.39	18	RF, TF, V
	1800	56	230/460 V	BF4N.33V2	\$230	68	11.54	0.66	18	RF, TF, V
	1800	56	575 V	BF4N.33V5	\$230	68	11.54	0.53	18	RF, TF, V
	1200	56	230/460 V	BF6N.33V2	\$294	71	11.54	0.62	18	RF, TF, V
	1200	56	575 V	BF6N.33V5	\$294	71	11.54	0.49	18	RF, TF, V
	900	56	230/460 V	BF8N.33V2	\$297	61.98	11.54	0.75	18	RF, TF, V
	900	56	575 V	BF8N.33V5	\$297	61.98	11.54	0.60	18	RF, TF, V
0.50	3600	56	230/460 V	BF2N.50V2	\$254	73.5	11.54	0.72	18	RF, TF, V
	3600	56	575 V	BF2N.50V5	\$254	73.5	11.54	0.58	18	RF, TF, V
	1800	56	230/460 V	BF4N.50V2	\$235	68.1	11.54	0.98	18	RF, TF, V
	1800	56	575 V	BF4N.50V5	\$235	68.1	11.54	0.78	18	RF, TF, V
	1200	56	230/460 V	BF6N.50V2	\$297	70.2	11.54	0.90	18	RF, TF, V
	1200	56	575 V	BF6N.50V5	\$297	70.2	11.54	0.72	18	RF, TF, V
	900	56	230/460 V	BF8N.50V2	\$317	66.1	11.54	1.07	18	RF, TF, V
	900	56	575 V	BF8N.50V5	\$317	66.1	11.54	0.85	18	RF, TF, V
0.75	3600	56	230/460 V	BF2N.75V2	\$274	74.6	11.54	1.15	20	RF, TF, V
	3600	56	575 V	BF2N.75V5	\$274	74.6	11.54	0.92	20	RF, TF, V
	1800	56	230/460 V	BF4N.75V2	\$250	72.8	11.54	1.27	20	RF, TF, V
	1800	56	575 V	BF4N.75V5	\$250	72.8	11.54	1.02	20	RF, TF, V
	1200	56	230/460 V	BF6N.75V2	\$317	74.7	11.54	1.36	20	RF, TF, V
	1200	56	575 V	BF6N.75V5	\$317	74.7	11.54	1.09	20	RF, TF, V
1	3600	56	230/460 V	BF2N001V2	\$350	77	11.50	1.39	24	RF, PF, V
	3600	56	575 V	BF2N001V5	\$350	77	11.50	1.11	24	RF, PF, V
	1800	56	230/460 V	PF4N001-2	\$375	85.5	11.50	1.59	24	RF
	1800	56	575 V	PF4N001-5	\$375	85.5	11.50	1.28	24	RF
1.5	3600	56	230/460 V	BF2N1.5V2	\$365	84	11.50	2.33	30	RF, PF, V
	3600	56	575 V	BF2N1.5V5	\$365	84	11.50	1.86	30	RF, PF, V
	1800	56H	230/460 V	PF4N1.5-2	\$453	86.5	13.60	2.13	35	RF
	1800	56H	575 V	PF4N1.5-5	\$453	86.5	13.60	1.70	35	RF
2	3600	56	230/460 V	PF2N002-2	\$390	85.5	11.50	2.62	42	RF
	3600	56	575 V	PF2N002-5	\$390	85.5	11.50	2.09	42	RF
	1800	56H	230/460 V	PF4N002-2	\$479	86.5	13.60	2.86	42	RF
	1800	56H	575 V	PF4N002-5	\$479	86.5	13.60	2.29	42	RF
3	3600	56H	230/460 V	PF2N003-2	\$500	86.5	13.60	3.63	42	RF
	3600	56H	575 V	PF2N003-5	\$500	86.5	13.60	2.90	42	RF
	1800	56H	230/460 V	PF4N003-2	\$630	89.5	14.30	4.11	47	RF
	1800	56H	575 V	PF4N003-5	\$630	89.5	14.30	3.29	47	RF

Discount Category **10**



# W Series NEMA 56C, 3 Phase - TEFC C-Face With Removable Feet - Cast Aluminum

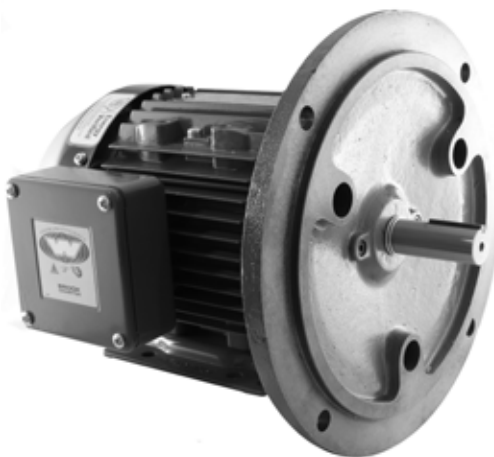
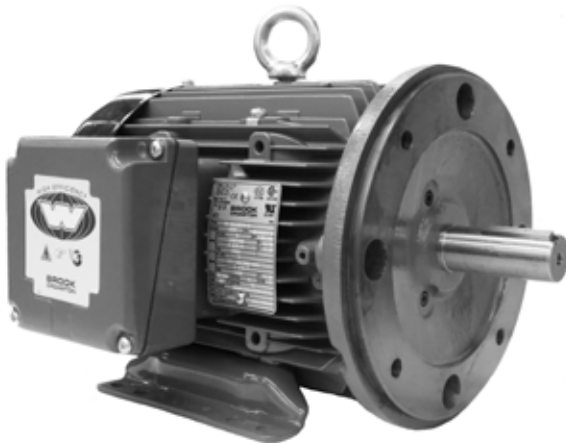


HP	RPM	Frame	Voltage	P/N	List	FL Eff.	C Dim. (IN)	FL Amps	LBS	Notes
0.25	1800	56C	230/460 V	BF4N.25V2C	\$241	67.8	11.54	0.49	24	RF, TF, V
	1800	56C	575 V	BF4N.25V5C	\$241	67.8	11.54	0.39	24	RF, TF, V
	1200	56C	230/460 V	BF6N.25V2C	\$290	71.4	11.54	0.45	24	RF, TF, V
	1200	56C	575 V	BF6N.25V5C	\$290	71.4	11.54	0.36	24	RF, TF, V
	900	56C	230/460 V	BF8N.25V2C	\$315	62.3	11.54	0.68	24	RF, TF, V
	900	56C	575 V	BF8N.25V5C	\$315	62.3	11.54	0.54	24	RF, TF, V
0.33	3600	56C	230/460 V	BF2N.33V2C	\$253	73.6	11.54	0.49	24	RF, TF, V
	3600	56C	575 V	BF2N.33V5C	\$253	73.6	11.54	0.39	24	RF, TF, V
	1800	56C	230/460 V	BF4N.33V2C	\$244	68	11.54	0.66	24	RF, TF, V
	1800	56C	575 V	BF4N.33V5C	\$244	68	11.54	0.53	24	RF, TF, V
	1200	56C	230/460 V	BF6N.33V2C	\$311	71	11.54	0.62	24	RF, TF, V
	1200	56C	575 V	BF6N.33V5C	\$311	71	11.54	0.49	24	RF, TF, V
	900	56C	230/460 V	BF8N.33V2C	\$315	61.98	11.54	0.75	24	RF, TF, V
	900	56C	575 V	BF8N.33V5C	\$315	61.98	11.54	0.60	24	RF, TF, V
0.50	3600	56C	230/460 V	BF2N.50V2C	\$270	73.5	11.54	0.72	24	RF, TF, V
	3600	56C	575 V	BF2N.50V5C	\$270	73.5	11.54	0.58	24	RF, TF, V
	1800	56C	230/460 V	BF4N.50V2C	\$249	68.1	11.54	0.98	24	RF, TF, V
	1800	56C	575 V	BF4N.50V5C	\$249	68.1	11.54	0.78	24	RF, TF, V
	1200	56C	230/460 V	BF6N.50V2C	\$315	70.2	11.54	0.90	24	RF, TF, V
	1200	56C	575 V	BF6N.50V5C	\$315	70.2	11.54	0.72	24	RF, TF, V
	900	56C	230/460 V	BF8N.50V2C	\$336	66.1	11.54	1.07	24	RF, TF, V
	900	56C	575 V	BF8N.50V5C	\$336	66.1	11.54	0.85	24	RF, TF, V
0.75	3600	56C	230/460 V	BF2N.75V2C	\$290	74.6	11.54	1.15	26	RF, TF, V
	3600	56C	575 V	BF2N.75V5C	\$290	74.6	11.54	0.92	26	RF, TF, V
	1800	56C	230/460 V	BF4N.75V2C	\$266	72.8	11.54	1.27	26	RF, TF, V
	1800	56C	575 V	BF4N.75V5C	\$266	72.8	11.54	1.02	26	RF, TF, V
	1200	56C	230/460 V	BF6N.75V2C	\$336	74.7	11.54	1.36	26	RF, TF, V
	1200	56C	575 V	BF6N.75V5C	\$336	74.7	11.54	1.09	26	RF, TF, V
1	3600	56C	230/460 V	BF2N001V2C	\$371	84	11.50	1.39	30	RF, PF, V
	3600	56C	575 V	BF2N001V5C	\$371	84	11.50	1.11	30	RF, PF, V
	1800	56C	230/460 V	PF4N001-2C	\$397	85.5	11.50	1.59	30	RF
	1800	56C	575 V	PF4N001-5C	\$397	85.5	11.50	1.28	30	RF
1.5	3600	56C	230/460 V	BF2N1.5V2C	\$382	84	11.50	2.33	36	RF, PF, V
	3600	56C	575 V	BF2N1.5V5C	\$382	84	11.50	1.86	36	RF, PF, V
	1800	56HC	230/460 V	PF4N1.5-2C	\$480	86.5	13.60	2.13	41	RF
	1800	56HC	575 V	PF4N1.5-5C	\$480	86.5	13.60	1.70	41	RF
2	3600	56C	230/460 V	PF2N002-2C	\$413	85.5	11.50	2.62	48	RF
	3600	56C	575 V	PF2N002-5C	\$413	85.5	11.50	2.09	48	RF
	1800	56HC	230/460 V	PF4N002-2C	\$507	86.5	13.60	2.86	48	RF
	1800	56HC	575 V	PF4N002-5C	\$507	86.5	13.60	2.29	48	RF
3	3600	56HC	230/460 V	PF2N003-2C	\$530	86.5	13.60	3.63	48	RF
	3600	56HC	575 V	PF2N003-5C	\$530	86.5	13.60	2.90	48	RF
	1800	56HC	230/460 V	PF4N003-2C	\$668	89.5	14.30	4.11	53	RF
	1800	56HC	575 V	PF4N003-5C	\$668	89.5	14.30	3.29	53	RF

Discount Category **10**

- General Single Phase
- Farm Duty Single Phase
- Fractional 56/56C
- NEMA Aluminum
- NEMA Cast Iron
- NEMA IEEE841
- NEMA Explosion Proof
- Close Coupled Pump Motor
- NEMA 2 Speed Motor
- NEMA Brake Motor

General Single Phase
Farm Duty Single Phase
Fractional 56/56C
NEMA Aluminum
NEMA Cast Iron
NEMA IEEE841
NEMA Explosion Proof
Close Coupled Pump Motor
NEMA 2 Speed Motor
NEMA Brake Motor



Lightweight High Performance Cast Aluminum Frames. Features Include:

- NEMA MG1-Part 31 inverter duty 5:1 constant torque, 10:1 variable torque
- 1.25 service factor at 60Hz, 1.0 service factor at 50Hz
- Class F insulation with class B temperature rise
- Removable/ repositionable feet for easy conversion to F1, F2, F3 (F0), or round body configuration
- IP55 degree of protection for washdown duty applications
- Full contact shaft seals inside both brackets for increased protection against contaminants
- Dual rated 60/50Hz at same HP
- Cast aluminum conduit box with drilled and tapped entry is rotatable in 90 degree increments
- CSA approved for Class I; Division 2; Groups A, B, C & D, Zone 2; Groups IIA & IIB T3 with VFD
- Internal tropicproof
- 3 year warranty

# W Series NEMA 143T-286T, 3 Phase - TEFC Foot Mounted - Cast Aluminum



HP	RPM	Frame	Voltage	P/N	List	FL Eff.	C Dim. (IN)	FL Amps	LBS	Notes
0.75	1200	143T	230/460 V	BA6N.75V4	\$484	81.7	13.02	1.70	28	RF, V
	1200	143T	575 V	BA6N.75V5	\$484	81.7	13.02	1.36	28	RF, V
1	1800	143T	208/416 V	BA4N001V3	\$431	85.5	13.02	1.58	40	RF, V
	1800	143T	230/460 V	BA4N001V4	\$431	85.5	13.02	1.43	40	RF, V
	1800	143T	575 V	BA4N001V5	\$431	85.5	13.02	1.14	40	RF, V
	1200	145T	208/416 V	BA6N001V3	\$484	82.5	14.07	1.78	42	RF, PA, V
	1200	145T	230/460 V	BA6N001V4	\$484	82.5	14.07	1.61	42	RF, PA, V
	1200	145T	575 V	BA6N001V5	\$484	82.5	14.07	1.29	42	RF, PA, V
1.5	3600	143T	208/416 V	BA2N1.5V3	\$453	84	13.02	2.09	40	RF, V
	3600	143T	230/460 V	BA2N1.5V4	\$453	84	13.02	1.89	40	RF, V
	3600	143T	575 V	BA2N1.5V5	\$453	84	13.02	1.51	40	RF, V
	1800	145T	208/416 V	BA4N1.5V3	\$468	86.5	14.07	2.27	42	RF, V
	1800	145T	230/460 V	BA4N1.5V4	\$468	86.5	14.07	2.05	42	RF, V
	1800	145T	575 V	BA4N1.5V5	\$468	86.5	14.07	1.64	42	RF, V
	1200	182T	208/416 V	BA6N1.5V3	\$652	87.5	16.24	2.46	90	RF, PA, V
	1200	182T	230/460 V	BA6N1.5V4	\$652	87.5	16.24	2.22	90	RF, PA, V
2	1200	182T	575 V	BA6N1.5V5	\$652	87.5	16.24	1.78	90	RF, PA, V
	3600	145T	208/416 V	BA2N002V3	\$501	85.5	14.07	2.74	42	RF, V
	3600	145T	230/460 V	BA2N002V4	\$501	85.5	14.07	2.47	42	RF, V
	3600	145T	575 V	BA2N002V5	\$501	85.5	14.07	1.98	42	RF, V
	1800	145T	208/416 V	BA4N002V3	\$501	86.5	14.07	2.93	42	RF, V
	1800	145T	230/460 V	BA4N002V4	\$501	86.5	14.07	2.65	42	RF, V
	1800	145T	575 V	BA4N002V5	\$501	86.5	14.07	2.12	42	RF, V
	1200	184T	208/416 V	BA6N002V3	\$697	88.5	16.24	3.41	102	RF, PA, V
3	1200	184T	230/460 V	BA6N002V4	\$697	88.5	16.24	3.08	102	RF, PA, V
	1200	184T	575 V	BA6N002V5	\$697	88.5	16.24	2.47	102	RF, PA, V
	3600	182T	208/416 V	BA2N003V3	\$663	86.5	16.24	3.93	90	RF, V
	3600	182T	230/460 V	BA2N003V4	\$663	86.5	16.24	3.55	90	RF, V
	3600	182T	575 V	BA2N003V5	\$663	86.5	16.24	2.84	90	RF, V
	3600	145T	230/460 V	BA2N003V4S	\$663	86.5	14.07	3.88	50	RF, V
	3600	145T	575 V	BA2N003V5S	\$663	86.5	14.07	3.10	50	RF, V
	1800	182T	208/416 V	BA4N003V3	\$669	89.5	16.24	4.31	90	RF, V
	1800	182T	230/460 V	BA4N003V4	\$669	89.5	16.24	3.91	90	RF, V
	1800	182T	575 V	BA4N003V5	\$669	89.5	16.24	3.12	90	RF, V
5	1200	213T	208/416 V	BA6N003V3	\$919	89.5	18.45	4.81	130	RF, PA, V
	1200	213T	230/460 V	BA6N003V4	\$919	89.5	18.45	4.36	130	RF, PA, V
	1200	213T	575 V	BA6N003V5	\$919	89.5	18.45	3.48	130	RF, PA, V
	3600	184T	208/416 V	BA2N005V3	\$728	88.5	16.24	6.37	102	RF, V
	3600	184T	230/460 V	BA2N005V4	\$728	88.5	16.24	5.77	102	RF, V
	3600	184T	575 V	BA2N005V5	\$728	88.5	16.24	4.61	102	RF, V
	1800	184T	208/416 V	BA4N005V3	\$677	89.5	16.24	7.74	102	RF, V
	1800	184T	230/460 V	BA4N005V4	\$677	89.5	16.24	7.00	102	RF, V
	1800	184T	575 V	BA4N005V5	\$677	89.5	16.24	5.60	102	RF, V
	1200	215T	208/416 V	BA6N005V3	\$1,198	89.5	19.95	7.64	150	RF, PA, V
1200	215T	230/460 V	BA6N005V4	\$1,198	89.5	19.95	6.92	150	RF, PA, V	
1200	215T	575 V	BA6N005V5	\$1,198	89.5	19.95	5.53	150	RF, PA, V	

Discount Category **16**

General  
Single Phase

Farm Duty  
Single Phase

Fractional  
56/56C

NEMA  
Aluminum

NEMA  
Cast Iron

NEMA IEE841

NEMA  
Explosion Proof

Close Coupled  
Pump Motor

NEMA  
2 Speed Motor

NEMA  
Brake Motor

	HP	RPM	Frame	Voltage	P/N	List	FL Eff.	C Dim. (IN)	FL Amps	LBS	Notes
General Single Phase	7.5	3600	213T	208/416 V	BA2N7.5V3	\$935	89.5	18.45	9.48	130	RF, V
		3600	213T	230/460 V	BA2N7.5V4	\$935	89.5	18.45	8.57	130	RF, V
		3600	213T	575 V	BA2N7.5V5	\$935	89.5	18.45	6.86	130	RF, V
1800		213T	208/416 V	BA4N7.5V3	\$979	91.7	18.45	9.91	130	RF, V	
1800		213T	230/460 V	BA4N7.5V4	\$979	91.7	18.45	8.96	130	RF, V	
1800		213T	575 V	BA4N7.5V5	\$979	91.7	18.45	7.17	130	RF, V	
Farm Duty Single Phase		1200	254T	208/416 V	BA6N7.5V3	\$1,568	91	23.45	10.49	252	RF, V, TM
		1200	254T	230/460 V	BA6N7.5V4	\$1,568	91	23.45	9.48	252	RF, V, TM
		1200	254T	575 V	BA6N7.5V5	\$1,568	91	23.45	7.59	252	RF, V, TM
Fractional 56/56C	10	3600	215T	208/416 V	BA2N010V3	\$1,173	90.2	19.95	12.67	150	RF, V
		3600	215T	230/460 V	BA2N010V4	\$1,173	90.2	19.95	11.50	150	RF, V
		3600	215T	575 V	BA2N010V5	\$1,173	90.2	19.95	9.17	150	RF, V
		1800	215T	208/416 V	BA4N010V3	\$1,191	91.7	19.95	13.52	150	RF, V
		1800	215T	230/460 V	BA4N010V4	\$1,191	91.7	19.95	12.20	150	RF, V
		1800	215T	575 V	BA4N010V5	\$1,191	91.7	19.95	9.78	150	RF, V
		1200	256T	208/416 V	BA6N010V3	\$1,953	91	23.45	14.10	280	RF, V, TM
		1200	256T	230/460 V	BA6N010V4	\$1,953	91	23.45	12.80	280	RF, V, TM
NEMA Aluminum	15	1200	256T	575 V	BA6N010V5	\$1,953	91	23.45	10.20	280	RF, V, TM
		3600	254T	208/416 V	BA2N015V3	\$1,724	91	23.45	18.38	252	RF, V, TM
		3600	254T	230/460 V	BA2N015V4	\$1,724	91	23.45	16.70	252	RF, V, TM
		3600	254T	575 V	BA2N015V5	\$1,724	91	23.45	13.30	252	RF, V, TM
		3600	215T	208/416 V	PA2N015-3S	\$1,724	91	19.95	18.24	140	RF
		3600	215T	230/460 V	PA2N015-4S	\$1,724	91	19.95	16.50	140	RF
		3600	215T	575 V	PA2N015-5S	\$1,724	91	19.95	13.20	140	RF
		1800	254T	208/416 V	BA4N015V3	\$1,736	92.4	23.45	19.49	280	RF, V, TM
		1800	254T	230/460 V	BA4N015V4	\$1,736	92.4	23.45	17.60	280	RF, V, TM
		1800	254T	575 V	BA4N015V5	\$1,736	92.4	23.45	14.10	280	RF, V, TM
		1200	284T	208/416 V	BA6N015V3	\$2,422	91.7	26.53	20.04	368	RF, V, TM
		NEMA Cast Iron	20	1200	284T	230/460 V	BA6N015V4	\$2,422	91.7	26.53	18.10
1200	284T			575 V	BA6N015V5	\$2,422	91.7	26.53	14.50	368	RF, V, TM
3600	256T			208/416 V	BA2N020V3	\$1,989	91	23.45	24.88	280	RF, V, TM
3600	256T			230/460 V	BA2N020V4	\$1,989	91	23.45	22.50	280	RF, V, TM
3600	256T			575 V	BA2N020V5	\$1,989	91	23.45	18.00	280	RF, V, TM
1800	256T			208/416 V	BA4N020V3	\$2,008	93	23.45	35.94	280	RF, V, TM
1800	256T			230/460 V	BA4N020V4	\$2,008	93	23.45	23.50	280	RF, V, TM
1800	256T			575 V	BA4N020V5	\$2,008	93	23.45	26.00	280	RF, V, TM
1200	286T			208/416 V	BA6N020V3	\$2,970	91.7	26.53	27.09	368	RF, V, TM
1200	286T			230/460 V	BA6N020V4	\$2,970	91.7	26.53	24.40	368	RF, V, TM
1200	286T			575 V	BA6N020V5	\$2,970	91.7	26.53	19.60	368	RF, V, TM
NEMA Explosion Proof	25			3600	284TS	208/416 V	BA2N025V3	\$2,368	91.7	25.16	31.51
		3600	284TS	230/460 V	BA2N025V4	\$2,368	91.7	25.16	28.50	315	RF, V, TM
		3600	284TS	575 V	BA2N025V5	\$2,368	91.7	25.16	22.80	315	RF, V, TM
		1800	284T	208/416 V	BA4N025V3	\$2,398	93.6	26.53	31.51	315	RF, V, TM
		1800	284T	230/460 V	BA4N025V4	\$2,398	93.6	26.53	28.50	315	RF, V, TM
		1800	284T	575 V	BA4N025V5	\$2,398	93.6	26.53	22.80	315	RF, V, TM
Close Coupled Pump Motor	30	3600	286TS	208/416 V	BA2N030V3	\$2,833	91.7	25.16	37.04	368	RF, V, TM
		3600	286TS	230/460 V	BA2N030V4	\$2,833	91.7	25.16	33.50	368	RF, V, TM
		3600	286TS	575 V	BA2N030V5	\$2,833	91.7	25.16	26.80	368	RF, V, TM
		1800	286T	208/416 V	BA4N030V3	\$2,894	93.6	26.53	37.87	368	RF, V, TM
		1800	286T	230/460 V	BA4N030V4	\$2,894	93.6	26.53	34.30	368	RF, V, TM
		1800	286T	575 V	BA4N030V5	\$2,894	93.6	26.53	27.40	368	RF, V, TM
NEMA 2 Speed Motor	30	3600	286TS	208/416 V	BA2N030V3	\$2,833	91.7	25.16	37.04	368	RF, V, TM
		3600	286TS	230/460 V	BA2N030V4	\$2,833	91.7	25.16	33.50	368	RF, V, TM
		3600	286TS	575 V	BA2N030V5	\$2,833	91.7	25.16	26.80	368	RF, V, TM
		1800	286T	208/416 V	BA4N030V3	\$2,894	93.6	26.53	37.87	368	RF, V, TM
		1800	286T	230/460 V	BA4N030V4	\$2,894	93.6	26.53	34.30	368	RF, V, TM
		1800	286T	575 V	BA4N030V5	\$2,894	93.6	26.53	27.40	368	RF, V, TM
NEMA Brake Motor	30	3600	286TS	208/416 V	BA2N030V3	\$2,833	91.7	25.16	37.04	368	RF, V, TM
		3600	286TS	230/460 V	BA2N030V4	\$2,833	91.7	25.16	33.50	368	RF, V, TM
		3600	286TS	575 V	BA2N030V5	\$2,833	91.7	25.16	26.80	368	RF, V, TM
		1800	286T	208/416 V	BA4N030V3	\$2,894	93.6	26.53	37.87	368	RF, V, TM
		1800	286T	230/460 V	BA4N030V4	\$2,894	93.6	26.53	34.30	368	RF, V, TM
		1800	286T	575 V	BA4N030V5	\$2,894	93.6	26.53	27.40	368	RF, V, TM

Discount Category **16**

# W Series NEMA 143TC-286TC, 3 Phase - TEFC C-Face With Removable Feet - Cast Aluminum



HP	RPM	Frame	Voltage	P/N	List	FL Eff.	C Dim. (IN)	FL Amps	LBS	Notes
0.75	1200	143TC	230/460 V	BA6N.75V4C	\$528	81.7	13.02	1.70	38	RF, V
	1200	143TC	575 V	BA6N.75V5C	\$528	81.7	13.02	1.36	38	RF, V
1	1800	143TC	208/416 V	BA4N001V3C	\$474	85.5	13.02	1.58	50	RF, V
	1800	143TC	230/460 V	BA4N001V4C	\$474	85.5	13.02	1.43	50	RF, V
	1800	143TC	575 V	BA4N001V5C	\$474	85.5	13.02	1.14	50	RF, V
	1200	145TC	208/416 V	BA6N001V3C	\$528	82.5	14.07	1.78	52	RF, PA, V
	1200	145TC	230/460 V	BA6N001V4C	\$528	82.5	14.07	1.61	52	RF, PA, V
	1200	145TC	575 V	BA6N001V5C	\$528	82.5	14.07	1.29	52	RF, PA, V
1.5	3600	143TC	208/416 V	BA2N1.5V3C	\$497	84	13.02	2.09	50	RF, V
	3600	143TC	230/460 V	BA2N1.5V4C	\$497	84	13.02	1.89	50	RF, V
	3600	143TC	575 V	BA2N1.5V5C	\$497	84	13.02	1.51	50	RF, V
	1800	145TC	208/416 V	BA4N1.5V3C	\$511	86.5	14.07	2.27	52	RF, V
	1800	145TC	230/460 V	BA4N1.5V4C	\$511	86.5	14.07	2.05	52	RF, V
	1800	145TC	575 V	BA4N1.5V5C	\$511	86.5	14.07	1.64	52	RF, V
	1200	182TC	208/416 V	BA6N1.5V3C	\$715	87.5	16.24	2.46	100	RF, PA, V
	1200	182TC	230/460 V	BA6N1.5V4C	\$715	87.5	16.24	2.22	100	RF, PA, V
2	1200	182TC	575 V	BA6N1.5V5C	\$715	87.5	16.24	1.78	100	RF, PA, V
	3600	145TC	208/416 V	BA2N002V3C	\$545	85.5	14.07	2.74	52	RF, V
	3600	145TC	230/460 V	BA2N002V4C	\$545	85.5	14.07	2.47	52	RF, V
	3600	145TC	575 V	BA2N002V5C	\$545	85.5	14.07	1.98	52	RF, V
	1800	145TC	208/416 V	BA4N002V3C	\$544	86.5	14.07	2.93	52	RF, V
	1800	145TC	230/460 V	BA4N002V4C	\$544	86.5	14.07	2.65	52	RF, V
	1800	145TC	575 V	BA4N002V5C	\$544	86.5	14.07	2.12	52	RF, V
	1200	184TC	208/416 V	BA6N002V3C	\$760	88.5	16.24	3.41	112	RF, PA, V
3	1200	184TC	230/460 V	BA6N002V4C	\$760	88.5	16.24	3.08	112	RF, PA, V
	1200	184TC	575 V	BA6N002V5C	\$760	88.5	16.24	2.47	112	RF, PA, V
	3600	182TC	208/416 V	BA2N003V3C	\$727	86.5	16.24	3.93	100	RF, V
	3600	182TC	230/460 V	BA2N003V4C	\$727	86.5	16.24	3.55	100	RF, V
	3600	182TC	575 V	BA2N003V5C	\$727	86.5	16.24	2.84	100	RF, V
	3600	145TC	230/460 V	BA2N003V4SC	\$727	86.5	14.07	3.88	58	RF, V
	3600	145TC	575 V	BA2N003V5SC	\$727	86.5	14.07	3.10	58	RF, V
	1800	182TC	208/416 V	BA4N003V3C	\$732	89.5	16.24	4.31	100	RF, V
	1800	182TC	230/460 V	BA4N003V4C	\$732	89.5	16.24	3.91	100	RF, V
	1800	182TC	575 V	BA4N003V5C	\$732	89.5	16.24	3.12	100	RF, V
5	1200	213TC	208/416 V	BA6N003V3C	\$1,016	89.5	18.45	4.81	132	RF, PA, V
	1200	213TC	230/460 V	BA6N003V4C	\$1,016	89.5	18.45	4.36	132	RF, PA, V
	1200	213TC	575 V	BA6N003V5C	\$1,016	89.5	18.45	3.48	132	RF, PA, V
	3600	184TC	208/416 V	BA2N005V3C	\$791	88.5	16.24	6.37	112	RF, V
	3600	184TC	230/460 V	BA2N005V4C	\$791	88.5	16.24	5.77	112	RF, V
	3600	184TC	575 V	BA2N005V5C	\$791	88.5	16.24	4.61	112	RF, V
	1800	184TC	208/416 V	BA4N005V3C	\$740	89.5	16.24	7.74	112	RF, V
	1800	184TC	230/460 V	BA4N005V4C	\$740	89.5	16.24	7.00	112	RF, V
	1800	184TC	575 V	BA4N005V5C	\$740	89.5	16.24	5.60	112	RF, V
	1200	215TC	208/416 V	BA6N005V3C	\$1,295	89.5	19.95	7.64	162	RF, PA, V
1200	215TC	230/460 V	BA6N005V4C	\$1,295	89.5	19.95	6.92	162	RF, PA, V	
1200	215TC	575 V	BA6N005V5C	\$1,295	89.5	19.95	5.53	162	RF, PA, V	

Discount Category **16**

General  
Single Phase

Farm Duty  
Single Phase

Fractional  
56/56C

NEMA  
Aluminum

NEMA  
Cast Iron

NEMA IEE841

NEMA  
Explosion Proof

Close Coupled  
Pump Motor

NEMA  
2 Speed Motor

NEMA  
Brake Motor

**W Series NEMA 143TC-286TC, 3 Phase - TEFC  
C-Face With Removable Feet - Cast Aluminum**

	HP	RPM	Frame	Voltage	P/N	List	FL Eff.	C Dim. (IN)	FL Amps	LBS	Notes	
General Single Phase	7.5	3600	213TC	208/416 V	BA2N7.5V3C	\$1,032	89.5	18.45	9.48	142	RF, V	
		3600	213TC	230/460 V	BA2N7.5V4C	\$1,032	89.5	18.45	8.57	142	RF, V	
		3600	213TC	575 V	BA2N7.5V5C	\$1,032	89.5	18.45	6.86	142	RF, V	
1800		213TC	208/416 V	BA4N7.5V3C	\$1,076	91.7	18.45	9.91	142	RF, V		
1800		213TC	230/460 V	BA4N7.5V4C	\$1,076	91.7	18.45	8.96	142	RF, V		
1800		213TC	575 V	BA4N7.5V5C	\$1,076	91.7	18.45	7.17	142	RF, V		
Farm Duty Single Phase		1200	254TC	208/416 V	BA6N7.5V3C	\$1,751	91	23.45	10.49	264	RF, V, TM	
		1200	254TC	230/460 V	BA6N7.5V4C	\$1,751	91	23.45	9.48	264	RF, V, TM	
		1200	254TC	575 V	BA6N7.5V5C	\$1,751	91	23.45	7.59	264	RF, V, TM	
Fractional 56/56C	10	3600	215TC	208/416 V	BA2N010V3C	\$1,270	90.2	19.95	12.67	162	RF, V	
		3600	215TC	230/460 V	BA2N010V4C	\$1,270	90.2	19.95	11.50	162	RF, V	
		3600	215TC	575 V	BA2N010V5C	\$1,270	90.2	19.95	9.17	162	RF, V	
		1800	215TC	208/416 V	BA4N010V3C	\$1,288	91.7	19.95	13.52	162	RF, V	
		1800	215TC	230/460 V	BA4N010V4C	\$1,288	91.7	19.95	12.20	162	RF, V	
		1800	215TC	575 V	BA4N010V5C	\$1,288	91.7	19.95	9.78	162	RF, V	
		NEMA Aluminum	1200	256TC	208/416 V	BA6N010V3C	\$2,135	91	23.45	14.10	292	RF, V, TM
			1200	256TC	230/460 V	BA6N010V4C	\$2,135	91	23.45	12.80	292	RF, V, TM
1200			256TC	575 V	BA6N010V5C	\$2,135	91	23.45	10.20	292	RF, V, TM	
NEMA Cast Iron	15	3600	254TC	208/416 V	BA2N015V3C	\$1,908	91	23.45	18.38	264	RF, V, TM	
		3600	254TC	230/460 V	BA2N015V4C	\$1,908	91	23.45	16.70	264	RF, V, TM	
		3600	254TC	575 V	BA2N015V5C	\$1,908	91	23.45	13.30	264	RF, V, TM	
		3600	215TC	208/416 V	PA2N015-3SC	\$1,908	91	19.95	18.24	150	RF	
		3600	215TC	230/460 V	PA2N015-4SC	\$1,908	91	19.95	16.50	150	RF	
		3600	215TC	575 V	PA2N015-5SC	\$1,908	91	19.95	13.20	150	RF	
		1800	254TC	208/416 V	BA4N015V3C	\$1,918	92.4	23.45	19.49	292	RF, V, TM	
		1800	254TC	230/460 V	BA4N015V4C	\$1,918	92.4	23.45	17.60	292	RF, V, TM	
		1800	254TC	575 V	BA4N015V5C	\$1,918	92.4	23.45	14.10	292	RF, V, TM	
		1200	284TC	208/416 V	BA6N015V3C	\$2,611	91.7	26.53	20.04	380	RF, V, TM	
		1200	284TC	230/460 V	BA6N015V4C	\$2,611	91.7	26.53	18.10	380	RF, V, TM	
		1200	284TC	575 V	BA6N015V5C	\$2,611	91.7	26.53	14.50	380	RF, V, TM	
NEMA Explosion Proof	20	3600	256TC	208/416 V	BA2N020V3C	\$2,172	91	23.45	24.88	292	RF, V, TM	
		3600	256TC	230/460 V	BA2N020V4C	\$2,172	91	23.45	22.50	292	RF, V, TM	
		3600	256TC	575 V	BA2N020V5C	\$2,172	91	23.45	18.00	292	RF, V, TM	
		1800	256TC	208/416 V	BA4N020V3C	\$2,188	93	23.45	35.94	292	RF, V, TM	
		1800	256TC	230/460 V	BA4N020V4C	\$2,188	93	23.45	23.50	292	RF, V, TM	
		1800	256TC	575 V	BA4N020V5C	\$2,188	93	23.45	26.00	292	RF, V, TM	
		1200	286TC	208/416 V	BA6N020V3C	\$3,161	91.7	26.53	27.09	380	RF, V, TM	
		1200	286TC	230/460 V	BA6N020V4C	\$3,161	91.7	26.53	24.40	380	RF, V, TM	
		1200	286TC	575 V	BA6N020V5C	\$3,161	91.7	26.53	19.60	380	RF, V, TM	
Close Coupled Pump Motor	25	3600	284TSC	208/416 V	BA2N025V3C	\$2,472	91.7	25.16	31.51	329	RF, V, TM	
		3600	284TSC	230/460 V	BA2N025V4C	\$2,472	91.7	25.16	28.50	329	RF, V, TM	
		3600	284TSC	575 V	BA2N025V5C	\$2,472	91.7	25.16	22.80	329	RF, V, TM	
		1800	284TC	208/416 V	BA4N025V3C	\$2,613	93.6	26.53	31.51	329	RF, V, TM	
		1800	284TC	230/460 V	BA4N025V4C	\$2,613	93.6	26.53	28.50	329	RF, V, TM	
		1800	284TC	575 V	BA4N025V5C	\$2,613	93.6	26.53	22.80	329	RF, V, TM	
NEMA 2 Speed Motor	30	3600	286TSC	208/416 V	BA2N030V3C	\$3,045	91.7	25.16	37.04	380	RF, V, TM	
		3600	286TSC	230/460 V	BA2N030V4C	\$3,045	91.7	25.16	33.50	380	RF, V, TM	
		3600	286TSC	575 V	BA2N030V5C	\$3,045	91.7	25.16	26.80	380	RF, V, TM	
		1800	286TC	208/416 V	BA4N030V3C	\$3,094	93.6	26.53	37.87	380	RF, V, TM	
		1800	286TC	230/460 V	BA4N030V4C	\$3,094	93.6	26.53	34.30	380	RF, V, TM	
		1800	286TC	575 V	BA4N030V5C	\$3,094	93.6	26.53	27.40	380	RF, V, TM	
NEMA Brake Motor	30	3600	286TSC	208/416 V	BA2N030V3C	\$3,045	91.7	25.16	37.04	380	RF, V, TM	
		3600	286TSC	230/460 V	BA2N030V4C	\$3,045	91.7	25.16	33.50	380	RF, V, TM	
		3600	286TSC	575 V	BA2N030V5C	\$3,045	91.7	25.16	26.80	380	RF, V, TM	
		1800	286TC	208/416 V	BA4N030V3C	\$3,094	93.6	26.53	37.87	380	RF, V, TM	
		1800	286TC	230/460 V	BA4N030V4C	\$3,094	93.6	26.53	34.30	380	RF, V, TM	
		1800	286TC	575 V	BA4N030V5C	\$3,094	93.6	26.53	27.40	380	RF, V, TM	

Discount Category **16**

# W Series NEMA 143TD-286TD, 3 Phase - TEFC D-Flange With Removable Feet - Cast Aluminum

HP	RPM	Frame	Voltage	P/N	List	FL Eff.	C Dim. (IN)	FL Amps	LBS	Notes
0.75	1200	143TD	230/460 V	BA6N.75V4D	\$554	81.7	13.02	1.70	38	RF, V
	1200	143TD	575 V	BA6N.75V5D	\$554	81.7	13.02	1.36	38	RF, V
1	1800	143TD	208/416 V	BA4N001V3D	\$498	85.5	13.02	1.58	50	RF, V
	1800	143TD	230/460 V	BA4N001V4D	\$498	85.5	13.02	1.43	50	RF, V
	1800	143TD	575 V	BA4N001V5D	\$498	85.5	13.02	1.14	50	RF, V
	1200	145TD	208/416 V	BA6N001V3D	\$554	82.5	14.07	1.78	52	RF, PA, V
	1200	145TD	230/460 V	BA6N001V4D	\$554	82.5	14.07	1.61	52	RF, PA, V
	1200	145TD	575 V	BA6N001V5D	\$554	82.5	14.07	1.29	52	RF, PA, V
1.5	3600	143TD	208/416 V	BA2N1.5V3D	\$522	84	13.02	2.09	50	RF, V
	3600	143TD	230/460 V	BA2N1.5V4D	\$522	84	13.02	1.89	50	RF, V
	3600	143TD	575 V	BA2N1.5V5D	\$522	84	13.02	1.51	50	RF, V
	1800	145TD	208/416 V	BA4N1.5V3D	\$536	86.5	14.07	2.27	52	RF, V
	1800	145TD	230/460 V	BA4N1.5V4D	\$536	86.5	14.07	2.05	52	RF, V
	1800	145TD	575 V	BA4N1.5V5D	\$536	86.5	14.07	1.64	52	RF, V
	1200	182TD	208/416 V	BA6N1.5V3D	\$751	87.5	16.24	2.46	100	RF, PA, V
	1200	182TD	230/460 V	BA6N1.5V4D	\$751	87.5	16.24	2.22	100	RF, PA, V
2	1200	182TD	575 V	BA6N1.5V5D	\$751	87.5	16.24	1.78	100	RF, PA, V
	3600	145TD	208/416 V	BA2N002V3D	\$572	85.5	14.07	2.74	52	RF, V
	3600	145TD	230/460 V	BA2N002V4D	\$572	85.5	14.07	2.47	52	RF, V
	3600	145TD	575 V	BA2N002V5D	\$572	85.5	14.07	1.98	52	RF, V
	1800	145TD	208/416 V	BA4N002V3D	\$571	86.5	14.07	2.93	52	RF, V
	1800	145TD	230/460 V	BA4N002V4D	\$571	86.5	14.07	2.65	52	RF, V
	1800	145TD	575 V	BA4N002V5D	\$571	86.5	14.07	2.12	52	RF, V
	1200	184TD	208/416 V	BA6N002V3D	\$799	88.5	16.24	3.41	112	RF, PA, V
3	1200	184TD	230/460 V	BA6N002V4D	\$799	88.5	16.24	3.08	112	RF, PA, V
	1200	184TD	575 V	BA6N002V5D	\$799	88.5	16.24	2.47	112	RF, PA, V
	3600	182TD	208/416 V	BA2N003V3D	\$762	86.5	16.24	3.93	100	RF, V
	3600	182TD	230/460 V	BA2N003V4D	\$762	86.5	16.24	3.55	100	RF, V
	3600	182TD	575 V	BA2N003V5D	\$762	86.5	16.24	2.84	100	RF, V
	3600	145TD	230/460 V	BA2N003V4SD	\$762	86.5	14.07	3.88	58	RF, V
	3600	145TD	575 V	BA2N003V5SD	\$762	86.5	14.07	3.10	58	RF, V
	1800	182TD	208/416 V	BA4N003V3D	\$769	89.5	16.24	4.31	100	RF, V
	1800	182TD	230/460 V	BA4N003V4D	\$769	89.5	16.24	3.91	100	RF, V
	1800	182TD	575 V	BA4N003V5D	\$769	89.5	16.24	3.12	100	RF, V
	1200	213TD	208/416 V	BA6N003V3D	\$1,066	89.5	18.45	4.81	132	RF, PA, V
	1200	213TD	230/460 V	BA6N003V4D	\$1,066	89.5	18.45	4.36	132	RF, PA, V
1200	213TD	575 V	BA6N003V5D	\$1,066	89.5	18.45	3.48	132	RF, PA, V	
5	3600	184TD	208/416 V	BA2N005V3D	\$830	88.5	16.24	6.37	112	RF, V
	3600	184TD	230/460 V	BA2N005V4D	\$830	88.5	16.24	5.77	112	RF, V
	3600	184TD	575 V	BA2N005V5D	\$830	88.5	16.24	4.61	112	RF, V
	1800	184TD	208/416 V	BA4N005V3D	\$777	89.5	16.24	7.74	112	RF, V
	1800	184TD	230/460 V	BA4N005V4D	\$777	89.5	16.24	7.00	112	RF, V
	1800	184TD	575 V	BA4N005V5D	\$777	89.5	16.24	5.60	112	RF, V
	1200	215TD	208/416 V	BA6N005V3D	\$1,360	89.5	19.95	7.64	162	RF, PA, V
	1200	215TD	230/460 V	BA6N005V4D	\$1,360	89.5	19.95	6.92	162	RF, PA, V
1200	215TD	575 V	BA6N005V5D	\$1,360	89.5	19.95	5.53	162	RF, PA, V	

Discount Category **16**

General  
Single Phase

Farm Duty  
Single Phase

Fractional  
56/56C

NEMA  
Aluminum

NEMA  
Cast Iron

NEMA IEEE841

NEMA  
Explosion Proof

Close Coupled  
Pump Motor

NEMA  
2 Speed Motor

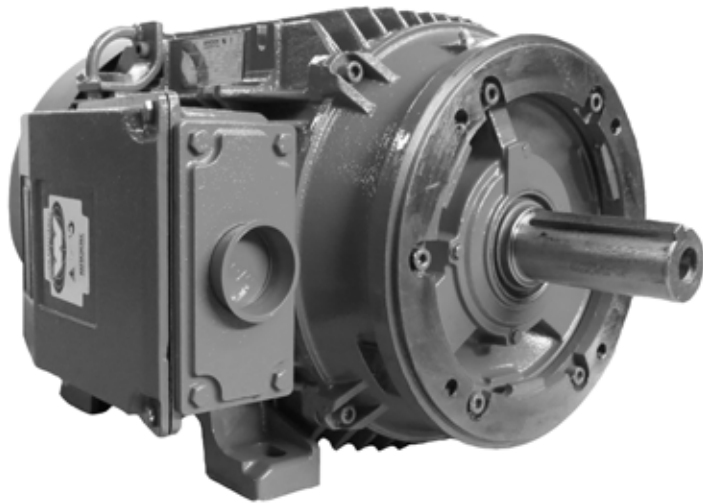
NEMA  
Brake Motor

**W Series NEMA 143TD-286TD, 3 Phase - TEFC  
D-Flange With Removable Feet - Cast Aluminum**

	HP	RPM	Frame	Voltage	P/N	List	FL Eff.	C Dim. (IN)	FL Amps	LBS	Notes
General Single Phase	7.5	3600	213TD	208/416 V	BA2N7.5V3D	\$1,083	89.5	18.45	9.48	142	RF, V
		3600	213TD	230/460 V	BA2N7.5V4D	\$1,083	89.5	18.45	8.57	142	RF, V
		3600	213TD	575 V	BA2N7.5V5D	\$1,083	89.5	18.45	6.86	142	RF, V
1800		213TD	208/416 V	BA4N7.5V3D	\$1,129	91.7	18.45	9.91	142	RF, V	
1800		213TD	230/460 V	BA4N7.5V4D	\$1,129	91.7	18.45	8.96	142	RF, V	
1800		213TD	575 V	BA4N7.5V5D	\$1,129	91.7	18.45	7.17	142	RF, V	
Farm Duty Single Phase		1200	254TD	208/416 V	BA6N7.5V3D	\$1,838	91	23.45	10.49	264	RF, V, TM
		1200	254TD	230/460 V	BA6N7.5V4D	\$1,838	91	23.45	9.48	264	RF, V, TM
		1200	254TD	575 V	BA6N7.5V5D	\$1,838	91	23.45	7.59	264	RF, V, TM
Fractional 56/56C	10	3600	215TD	208/416 V	BA2N010V3D	\$1,333	90.2	19.95	12.67	162	RF, V
		3600	215TD	230/460 V	BA2N010V4D	\$1,333	90.2	19.95	11.50	162	RF, V
		3600	215TD	575 V	BA2N010V5D	\$1,333	90.2	19.95	9.17	162	RF, V
		1800	215TD	208/416 V	BA4N010V3D	\$1,352	91.7	19.95	13.52	162	RF, V
		1800	215TD	230/460 V	BA4N010V4D	\$1,352	91.7	19.95	12.20	162	RF, V
		1800	215TD	575 V	BA4N010V5D	\$1,352	91.7	19.95	9.78	162	RF, V
		1200	256TD	208/416 V	BA6N010V3D	\$2,242	91	23.45	14.10	292	RF, V, TM
		1200	256TD	230/460 V	BA6N010V4D	\$2,242	91	23.45	12.80	292	RF, V, TM
NEMA Aluminum	15	1200	256TD	575 V	BA6N010V5D	\$2,242	91	23.45	10.20	292	RF, V, TM
		3600	254TD	208/416 V	BA2N015V3D	\$2,003	91	23.45	18.38	264	RF, V, TM
		3600	254TD	230/460 V	BA2N015V4D	\$2,003	91	23.45	16.70	264	RF, V, TM
		3600	254TD	575 V	BA2N015V5D	\$2,003	91	23.45	13.30	264	RF, V, TM
		3600	215TD	208/416 V	PA2N015-3SD	\$2,003	91	19.95	18.24	150	RF
		3600	215TD	230/460 V	PA2N015-4SD	\$2,003	91	19.95	16.50	150	RF
		3600	215TD	575 V	PA2N015-5SD	\$2,003	91	19.95	13.20	150	RF
		1800	254TD	208/416 V	BA4N015V3D	\$2,014	92.4	23.45	19.49	292	RF, V, TM
		1800	254TD	230/460 V	BA4N015V4D	\$2,014	92.4	23.45	17.60	292	RF, V, TM
		1800	254TD	575 V	BA4N015V5D	\$2,014	92.4	23.45	14.10	292	RF, V, TM
		1200	284TD	208/416 V	BA6N015V3D	\$2,742	91.7	26.53	20.04	380	RF, V, TM
		NEMA Cast Iron	20	1200	284TD	230/460 V	BA6N015V4D	\$2,742	91.7	26.53	18.10
1200	284TD			575 V	BA6N015V5D	\$2,742	91.7	26.53	14.50	380	RF, V, TM
3600	256TD			208/416 V	BA2N020V3D	\$2,280	91	23.45	24.88	292	RF, V, TM
3600	256TD			230/460 V	BA2N020V4D	\$2,280	91	23.45	22.50	292	RF, V, TM
3600	256TD			575 V	BA2N020V5D	\$2,280	91	23.45	18.00	292	RF, V, TM
1800	256TD			208/416 V	BA4N020V3D	\$2,298	93	23.45	35.94	292	RF, V, TM
1800	256TD			230/460 V	BA4N020V4D	\$2,298	93	23.45	23.50	292	RF, V, TM
1800	256TD			575 V	BA4N020V5D	\$2,298	93	23.45	26.00	292	RF, V, TM
1200	286TD			208/416 V	BA6N020V3D	\$3,319	91.7	26.53	27.09	380	RF, V, TM
1200	286TD			230/460 V	BA6N020V4D	\$3,319	91.7	26.53	24.40	380	RF, V, TM
1200	286TD			575 V	BA6N020V5D	\$3,319	91.7	26.53	19.60	380	RF, V, TM
NEMA IEEE841	25			3600	284TSD	208/416 V	BA2N025V3D	\$2,595	91.7	25.16	31.51
		3600	284TSD	230/460 V	BA2N025V4D	\$2,595	91.7	25.16	28.50	329	RF, V, TM
		3600	284TSD	575 V	BA2N025V5D	\$2,595	91.7	25.16	22.80	329	RF, V, TM
		1800	284TD	208/416 V	BA4N025V3D	\$2,744	93.6	26.53	31.51	329	RF, V, TM
		1800	284TD	230/460 V	BA4N025V4D	\$2,744	93.6	26.53	28.50	329	RF, V, TM
		1800	284TD	575 V	BA4N025V5D	\$2,744	93.6	26.53	22.80	329	RF, V, TM
NEMA Explosion Proof	30	3600	286TSD	208/416 V	BA2N030V3D	\$3,197	91.7	25.16	37.04	380	RF, V, TM
		3600	286TSD	230/460 V	BA2N030V4D	\$3,197	91.7	25.16	33.50	380	RF, V, TM
		3600	286TSD	575 V	BA2N030V5D	\$3,197	91.7	25.16	26.80	380	RF, V, TM
		1800	286TD	208/416 V	BA4N030V3D	\$3,250	93.6	26.53	37.87	380	RF, V, TM
		1800	286TD	230/460 V	BA4N030V4D	\$3,250	93.6	26.53	34.30	380	RF, V, TM
		1800	286TD	575 V	BA4N030V5D	\$3,250	93.6	26.53	27.40	380	RF, V, TM
NEMA Aluminum	30	3600	286TSD	208/416 V	BA2N030V3D	\$3,197	91.7	25.16	37.04	380	RF, V, TM
		3600	286TSD	230/460 V	BA2N030V4D	\$3,197	91.7	25.16	33.50	380	RF, V, TM
		3600	286TSD	575 V	BA2N030V5D	\$3,197	91.7	25.16	26.80	380	RF, V, TM
		1800	286TD	208/416 V	BA4N030V3D	\$3,250	93.6	26.53	37.87	380	RF, V, TM
		1800	286TD	230/460 V	BA4N030V4D	\$3,250	93.6	26.53	34.30	380	RF, V, TM
		1800	286TD	575 V	BA4N030V5D	\$3,250	93.6	26.53	27.40	380	RF, V, TM
NEMA Cast Iron	30	3600	286TSD	208/416 V	BA2N030V3D	\$3,197	91.7	25.16	37.04	380	RF, V, TM
		3600	286TSD	230/460 V	BA2N030V4D	\$3,197	91.7	25.16	33.50	380	RF, V, TM
		3600	286TSD	575 V	BA2N030V5D	\$3,197	91.7	25.16	26.80	380	RF, V, TM
		1800	286TD	208/416 V	BA4N030V3D	\$3,250	93.6	26.53	37.87	380	RF, V, TM
		1800	286TD	230/460 V	BA4N030V4D	\$3,250	93.6	26.53	34.30	380	RF, V, TM
		1800	286TD	575 V	BA4N030V5D	\$3,250	93.6	26.53	27.40	380	RF, V, TM
NEMA Aluminum	30	3600	286TSD	208/416 V	BA2N030V3D	\$3,197	91.7	25.16	37.04	380	RF, V, TM
		3600	286TSD	230/460 V	BA2N030V4D	\$3,197	91.7	25.16	33.50	380	RF, V, TM
		3600	286TSD	575 V	BA2N030V5D	\$3,197	91.7	25.16	26.80	380	RF, V, TM
		1800	286TD	208/416 V	BA4N030V3D	\$3,250	93.6	26.53	37.87	380	RF, V, TM
		1800	286TD	230/460 V	BA4N030V4D	\$3,250	93.6	26.53	34.30	380	RF, V, TM
		1800	286TD	575 V	BA4N030V5D	\$3,250	93.6	26.53	27.40	380	RF, V, TM
NEMA Cast Iron	30	3600	286TSD	208/416 V	BA2N030V3D	\$3,197	91.7	25.16	37.04	380	RF, V, TM
		3600	286TSD	230/460 V	BA2N030V4D	\$3,197	91.7	25.16	33.50	380	RF, V, TM
		3600	286TSD	575 V	BA2N030V5D	\$3,197	91.7	25.16	26.80	380	RF, V, TM
		1800	286TD	208/416 V	BA4N030V3D	\$3,250	93.6	26.53	37.87	380	RF, V, TM
		1800	286TD	230/460 V	BA4N030V4D	\$3,250	93.6	26.53	34.30	380	RF, V, TM
		1800	286TD	575 V	BA4N030V5D	\$3,250	93.6	26.53	27.40	380	RF, V, TM
NEMA Aluminum	30	3600	286TSD	208/416 V	BA2N030V3D	\$3,197	91.7	25.16	37.04	380	RF, V, TM
		3600	286TSD	230/460 V	BA2N030V4D	\$3,197	91.7	25.16	33.50	380	RF, V, TM
		3600	286TSD	575 V	BA2N030V5D	\$3,197	91.7	25.16	26.80	380	RF, V, TM
		1800	286TD	208/416 V	BA4N030V3D	\$3,250	93.6	26.53	37.87	380	RF, V, TM
		1800	286TD	230/460 V	BA4N030V4D	\$3,250	93.6	26.53	34.30	380	RF, V, TM
		1800	286TD	575 V	BA4N030V5D	\$3,250	93.6	26.53	27.40	380	RF, V, TM
NEMA Cast Iron	30	3600	286TSD	208/416 V	BA2N030V3D	\$3,197	91.7	25.16	37.04	380	RF, V, TM
		3600	286TSD	230/460 V	BA2N030V4D	\$3,197	91.7	25.16	33.50	380	RF, V, TM
		3600	286TSD	575 V	BA2N030V5D	\$3,197	91.7	25.16	26.80	380	RF, V, TM
		1800	286TD	208/416 V	BA4N030V3D	\$3,250	93.6	26.53	37.87	380	RF, V, TM
		1800	286TD	230/460 V	BA4N030V4D	\$3,250	93.6	26.53	34.30	380	RF, V, TM
		1800	286TD	575 V	BA4N030V5D	\$3,250	93.6	26.53	27.40	380	RF, V, TM
NEMA Aluminum	30	3600	286TSD	208/416 V	BA2N030V3D	\$3,197	91.7	25.16	37.04	380	RF, V, TM
		3600	286TSD	230/460 V	BA2N030V4D	\$3,197	91.7	25.16	33.50	380	RF, V, TM
		3600	286TSD	575 V	BA2N030V5D	\$3,197	91.7	25.16	26.80	380	RF, V, TM
		1800	286TD	208/416 V	BA4N030V3D	\$3,250	93.6	26.53	37.87	380	RF, V, TM
		1800	286TD	230/460 V	BA4N030V4D	\$3,250	93.6	26.53	34.30	380	RF, V, TM
		1800	286TD	575 V	BA4N030V5D	\$3,250	93.6	26.53	27.40	380	RF, V, TM
NEMA Cast Iron	30	3600	286TSD	208/416 V	BA2N030V3D	\$3,197	91.7	25.16	37.04	380	RF, V, TM
		3600	286TSD	230/460 V	BA2N030V4D	\$3,197	91.7	25.16	33.50	380	RF, V, TM
		3600	286TSD	575 V	BA2N030V5D	\$3,197	91.7	25.16	26.80	380	RF, V, TM
		1800	286TD	208/416 V	BA4N030V3D	\$3,250	93.6	26.53	37.87	380	RF, V, TM
		1800	286TD	230/460 V	BA4N030V4D	\$3,250	93.6	26.53	34.30	380	RF, V, TM
		1800	286TD	575 V	BA4N030V5D	\$3,250	93.6	26.53	27.40	380	RF, V, TM
NEMA Aluminum	30	3600	286TSD	208/416 V	BA2N030V3D	\$3,197	91.7	25.16	37.04	380	RF, V, TM
		3600	286TSD								



**W Series NEMA 143T-447T, 3 Phase - TEFC  
Heavy Duty Cast Iron Construction**



Heavy Duty Cast Iron Construction: Frame, End Brackets, & Conduit Box With Heavy Gauge Steel Fanguard and Non-sparking Fan, for Severe Duty Applications. Features Include:

- NEMA MG1-Part 31 inverter duty 5:1 constant torque, 10:1 variable torque
- 1.25 service factor at 60Hz, 1.0 service factor at 50Hz
- Class F insulation with class B temperature rise
- Removable/ repositionable feet for easy conversion to F1, F2, F3 (F0), or round body configuration
- IP55 degree of protection for washdown duty applications
- Full contact shaft seals inside both brackets for increased protection against contaminants
- Dual rated 60/50Hz at same HP
- Cast iron conduit box with drilled and tapped entry is rotatable in 90 degree increments
- CSA approved for Class I; Division 2; Groups A, B, C & D, Zone 2; Groups IIA & IIB T3 with VFD
- Internal tropicproof
- 3 year warranty

General Single Phase
Farm Duty Single Phase
Fractional 56/56C
NEMA Aluminum
NEMA Cast Iron
NEMA IEEEE841
NEMA Explosion Proof
Close Coupled Pump Motor
NEMA 2 Speed Motor
NEMA Brake Motor

General Single Phase
Farm Duty Single Phase
Fractional 56/56C
NEMA Aluminum
NEMA Cast Iron
NEMA IEEE841
NEMA Explosion Proof
Close Coupled Pump Motor
NEMA 2 Speed Motor
NEMA Brake Motor

HP	RPM	Frame	Voltage	P/N	List	FL Eff.	C Dim. (IN)	FL Amps	LBS	Notes
1	1800	143T	230/460 V	BC4N001V4	\$402	85.5	13.02	1.43	58	RF, V
	1800	143T	575 V	BC4N001V5	\$402	85.5	13.02	1.14	58	RF, V
	1200	145T	230/460 V	BC6N001V4	\$476	82.5	14.07	1.61	60	RF, V
	1200	145T	575 V	BC6N001V5	\$476	82.5	14.07	1.29	60	RF, V
1.5	3600	143T	230/460 V	BC2N1.5V4	\$424	84	13.02	1.89	58	RF, V
	3600	143T	575 V	BC2N1.5V5	\$424	84	13.02	1.51	58	RF, V
	1800	145T	230/460 V	BC4N1.5V4	\$438	86.5	14.07	2.05	60	RF, V
	1800	145T	575 V	BC4N1.5V5	\$438	86.5	14.07	1.64	60	RF, V
	1200	182T	230/460 V	BC6N1.5V4	\$642	87.5	16.24	2.22	124	RF, V
	1200	182T	575 V	BC6N1.5V5	\$642	87.5	16.24	1.78	124	RF, V
2	3600	145T	230/460 V	BC2N002V4	\$470	85.5	14.07	2.47	60	RF, V
	3600	145T	575 V	BC2N002V5	\$470	85.5	14.07	1.98	60	RF, V
	1800	145T	230/460 V	BC4N002V4	\$469	86.5	14.07	2.65	60	RF, V
	1800	145T	575 V	BC4N002V5	\$469	86.5	14.07	2.12	60	RF, V
	1200	184T	230/460 V	BC6N002V4	\$686	88.5	16.24	3.08	136	RF, V
	1200	184T	575 V	BC6N002V5	\$686	88.5	16.24	2.47	136	RF, V
3	3600	182T	230/460 V	BC2N003V4	\$621	86.5	16.24	3.55	124	RF, V
	3600	182T	575 V	BC2N003V5	\$621	86.5	16.24	2.84	124	RF, V
	1800	182T	230/460 V	BC4N003V4	\$627	89.5	16.24	3.91	124	RF, V
	1800	182T	575 V	BC4N003V5	\$627	89.5	16.24	3.12	124	RF, V
	1200	213T	230/460 V	BC6N003V4	\$903	89.5	19.95	4.36	204	RF, V
	1200	213T	575 V	BC6N003V5	\$903	89.5	19.95	3.48	204	RF, V
5	3600	184T	230/460 V	BC2N005V4	\$681	88.5	16.24	5.77	136	RF, V
	3600	184T	575 V	BC2N005V5	\$681	88.5	16.24	4.61	136	RF, V
	1800	184T	230/460 V	BC4N005V4	\$634	89.5	16.24	7.00	136	RF, V
	1800	184T	575 V	BC4N005V5	\$634	89.5	16.24	5.60	136	RF, V
	1200	215T	230/460 V	BC6N005V4	\$1,177	89.5	19.95	6.92	220	RF, V
	1200	215T	575 V	BC6N005V5	\$1,177	89.5	19.95	5.53	220	RF, V
7.5	3600	213T	230/460 V	BC2N7.5V4	\$875	89.5	19.95	8.57	204	RF, V
	3600	213T	575 V	BC2N7.5V5	\$875	89.5	19.95	6.86	204	RF, V
	1800	213T	230/460 V	BC4N7.5V4	\$916	91.7	19.95	8.96	204	RF, V
	1800	213T	575 V	BC4N7.5V5	\$916	91.7	19.95	7.17	204	RF, V
	1200	254T	230/460 V	BC6N7.5V4	\$1,542	91	23.45	9.48	320	RF, V, TM, RG
	1200	254T	575 V	BC6N7.5V5	\$1,542	91	23.45	7.59	320	RF, V, TM, RG
10	3600	215T	230/460 V	BC2N010V4	\$1,098	90.2	19.95	11.50	220	RF, V
	3600	215T	575 V	BC2N010V5	\$1,098	90.2	19.95	9.17	220	RF, V
	1800	215T	230/460 V	BC4N010V4	\$1,115	91.7	19.95	12.20	220	RF, V
	1800	215T	575 V	BC4N010V5	\$1,115	91.7	19.95	9.78	220	RF, V
	1200	256T	230/460 V	BC6N010V4	\$1,919	91	23.45	12.80	374	RF, V, TM, RG
	1200	256T	575 V	BC6N010V5	\$1,919	91	23.45	10.20	374	RF, V, TM, RG
15	3600	254T	230/460 V	BC2N015V4	\$1,614	91	23.45	16.70	320	RF, V, TM, RG
	3600	254T	575 V	BC2N015V5	\$1,614	91	23.45	13.30	320	RF, V, TM, RG
	1800	254T	230/460 V	BC4N015V4	\$1,626	92.4	23.45	17.60	320	RF, V, TM, RG
	1800	254T	575 V	BC4N015V5	\$1,626	92.4	23.45	14.10	320	RF, V, TM, RG
	1200	284T	230/460 V	BC6N015V4	\$2,381	91.7	26.53	18.10	478	RF, V, TM, RG
	1200	284T	575 V	BC6N015V5	\$2,381	91.7	26.53	14.50	478	RF, V, TM, RG
20	3600	256T	230/460 V	BC2N020V4	\$1,862	91	23.45	22.50	374	RF, V, TM, RG
	3600	256T	575 V	BC2N020V5	\$1,862	91	23.45	18.00	374	RF, V, TM, RG
	1800	256T	230/460 V	BC4N020V4	\$1,880	93	23.45	23.50	374	RF, V, TM, RG
	1800	256T	575 V	BC4N020V5	\$1,880	93	23.45	26.00	374	RF, V, TM, RG
	1200	286T	230/460 V	BC6N020V4	\$2,920	91.7	26.53	24.40	470	RF, V, TM, RG
	1200	286T	575 V	BC6N020V5	\$2,920	91.7	26.53	19.60	470	RF, V, TM, RG

Discount Category **55**

# W Series NEMA 143T-447T, 3 Phase - TEFC Foot Mounted - Heavy Duty Cast Iron



HP	RPM	Frame	Voltage	P/N	List	FL Eff.	C Dim. (IN)	FL Amps	LBS	Notes
25	3600	284TS	230/460 V	BC2N025V4	\$2,217	91.7	25.16	28.50	478	RF, V, TM, RG
	3600	284TS	575 V	BC2N025V5	\$2,217	91.7	25.16	22.80	478	RF, V, TM, RG
	1800	284T	230/460 V	BC4N025V4	\$2,245	93.6	26.53	28.50	478	RF, V, TM, RG
	1800	284T	575 V	BC4N025V5	\$2,245	93.6	26.53	22.80	478	RF, V, TM, RG
	1200	324T	230/460 V	BC6N025-4	\$3,718	93	32.75	30.10	650	RF, TM, RG
	1200	324T	575 V	BC6N025-5	\$3,718	93	32.75	24.10	650	RF, TM, RG
30	3600	286TS	230/460 V	BC2N030V4	\$2,653	91.7	25.16	33.50	470	RF, V, TM, RG
	3600	286TS	575 V	BC2N030V5	\$2,653	91.7	25.16	26.80	470	RF, V, TM, RG
	1800	286T	230/460 V	BC4N030V4	\$2,709	93.6	26.53	34.30	470	RF, V, TM, RG
	1800	286T	575 V	BC4N030V5	\$2,709	93.6	26.53	27.40	470	RF, V, TM, RG
	1200	326T	230/460 V	BC6N030-4	\$4,302	93	32.75	39.30	750	RF, TM, RG
	1200	326T	575 V	BC6N030-5	\$4,302	93	32.75	31.40	750	RF, TM, RG
40	3600	324TS	230/460 V	BC2N040-4	\$3,467	93	31.25	46.00	650	RF, TM, RG
	3600	324TS	575 V	BC2N040-5	\$3,467	93	31.25	36.80	650	RF, TM, RG
	1800	324T	230/460 V	BC4N040-4	\$3,496	94.1	32.75	45.00	650	RF, TM, RG
	1800	324T	575 V	BC4N040-5	\$3,496	94.1	32.75	36.00	650	RF, TM, RG
	1200	364T	230/460 V	BC6N040-4	\$5,443	94.1	32.75	50.40	914	RF, TM, RG
	1200	364T	575 V	BC6N040-5	\$5,443	94.1	32.75	40.30	914	RF, TM, RG
50	3600	326TS	230/460 V	BC2N050-4	\$3,978	93.6	32.75	57.00	750	RF, TM, RG
	3600	326TS	575 V	BC2N050-5	\$3,978	93.6	32.75	45.60	750	RF, TM, RG
	1800	326T	230/460 V	BC4N050-4	\$4,118	94.5	34.25	58.00	750	RF, TM, RG
	1800	326T	575 V	BC4N050-5	\$4,118	94.5	34.25	46.40	750	RF, TM, RG
	1200	365T	230/460 V	BC6N050-4	\$6,290	94.1	38.50	63.80	1050	RF, TM, RG
	1200	365T	575 V	BC6N050-5	\$6,290	94.1	38.50	51.00	1050	RF, TM, RG
60	3600	364TS	230/460 V	BC2N060-4	\$5,547	93.6	34.25	66.00	914	RF, TM, RG
	3600	364TS	575 V	BC2N060-5	\$5,547	93.6	34.25	52.80	914	RF, TM, RG
	1800	364T	230/460 V	BC4N060-4	\$5,431	95	36.38	68.00	914	RF, TM, RG
	1800	364T	575 V	BC4N060-5	\$5,431	95	36.38	54.40	914	RF, TM, RG
	1200	404T	230/460 V	BC6N060-4	\$7,734	94.5	42.25	74.30	1384	RF, TM, RG
	1200	404T	575 V	BC6N060-5	\$7,734	94.5	42.25	59.40	1384	RF, TM, RG
75	3600	365TS	230/460 V	BC2N075-4	\$6,381	93.6	34.25	79.30	1050	RF, TM, RG
	3600	365TS	575 V	BC2N075-5	\$6,381	93.6	34.25	63.40	1050	RF, TM, RG
	1800	365T	230/460 V	BC4N075-4	\$7,023	95.4	38.50	81.30	1050	RF, TM, RG
	1800	365T	575 V	BC4N075-5	\$7,023	95.4	38.50	65.00	1050	RF, TM, RG
	1200	405T	230/460 V	BC6N075-4	\$8,654	94.5	42	90.60	1384	RF, TM, RG
	1200	405T	575 V	BC6N075-5	\$8,654	94.5	42	72.50	1384	RF, TM, RG
100	3600	405TS	230/460 V	BC2N100-4	\$8,637	94.1	41	110.00	1384	RF, TM, RG
	3600	405TS	575 V	BC2N100-5	\$8,637	94.1	41	88.00	1384	RF, TM, RG
	1800	405T	230/460 V	BC4N100-4	\$8,391	95.4	42	116.00	1384	RF, TM, RG
	1800	405T	575 V	BC4N100-5	\$8,391	95.4	42	92.80	1384	RF, TM, RG
	1200	444T	230/460 V	BC6N100-4	\$11,647	95	47	117.30	1512	RF, TM, RG
	1200	444T	575 V	BC6N100-5	\$11,647	95	47	93.80	1512	RF, TM, RG
125	3600	444TS	460 V	BC2N125-9	\$11,772	95	43.25	137.00	1512	RF, TM, RG
	3600	444TS	575 V	BC2N125-5	\$11,772	95	43.25	109.60	1512	RF, TM, RG
	1800	444T	460 V	BC4N125-9	\$12,242	95.4	47	144.00	1512	RF, TM, RG
	1800	444T	575 V	BC4N125-5	\$12,242	95.4	47	115.20	1512	RF, TM, RG
	1200	445T	460 V	BC6N125-9	\$13,804	95	49.63	148.40	1896	RF, TM, RG
	1200	445T	575 V	BC6N125-5	\$13,804	95	49.63	118.70	1896	RF, TM, RG

Discount Category **55**

General  
Single Phase

Farm Duty  
Single Phase

Fractional  
56/56C

NEMA  
Aluminum

NEMA  
Cast Iron

NEMA IEE841

NEMA  
Explosion Proof

Close Coupled  
Pump Motor

NEMA  
2 Speed Motor

NEMA  
Brake Motor

General  
Single Phase

Farm Duty  
Single Phase

Fractional  
56/56C

NEMA  
Aluminum

NEMA  
Cast Iron

NEMA IEEE841

NEMA  
Explosion Proof

Close Coupled  
Pump Motor

NEMA  
2 Speed Motor

NEMA  
Brake Motor

HP	RPM	Frame	Voltage	P/N	List	FL Eff.	C Dim. (IN)	FL Amps	LBS	Notes
150	3600	445TS	460 V	BC2N150-9	\$13,001	95	45.88	161.00	1896	RF, TM, RG
	3600	445TS	575 V	BC2N150-5	\$13,001	95	45.88	128.80	1896	RF, TM, RG
	1800	445T	460 V	BC4N150-9	\$14,288	95.8	49.63	170.00	1896	RF, TM, RG
	1800	445T	575 V	BC4N150-5	\$14,288	95.8	49.63	136.00	1896	RF, TM, RG
	1200	447T	460 V	BC6N150-9	\$19,708	95.8	49.63	174.50	2300	RF, TM, RG
	1200	447T	575 V	BC6N150-5	\$19,708	95.8	49.63	139.60	2300	RF, TM, RG
200	3600	447TS	460 V	BC2N200-9	\$17,729	95.4	45.88	215.00	2300	RF, TM, RG
	3600	447TS	575 V	BC2N200-5	\$17,729	95.4	45.88	172.00	2300	RF, TM, RG
	1800	447T	460 V	BC4N200-9	\$18,997	96.2	49.63	221.00	2300	RF, TM, RG
	1800	447T	575 V	BC4N200-5	\$18,997	96.2	49.63	176.80	2300	RF, TM, RG

Discount Category **55**

Larger Ratings Available By Special Order in Both Low and Medium Voltage Designs.  
Please Contact Brook Crompton For Pricing.

# W Series NEMA 143TC-447TC, 3 Phase - TEFC C-Face With Removable Feet - Heavy Duty Cast Iron



HP	RPM	Frame	Voltage	P/N	List	FL Eff.	C Dim. (IN)	FL Amps	LBS	Notes
1	1800	143TC	230/460 V	BC4N001V4C	\$447	85.5	13.02	1.43	68	RF, V
	1800	143TC	575 V	BC4N001V5C	\$447	85.5	13.02	1.14	68	RF, V
	1200	145TC	230/460 V	BC6N001V4C	\$523	82.5	14.07	1.61	70	RF, V
	1200	145TC	575 V	BC6N001V5C	\$523	82.5	14.07	1.29	70	RF, V
1.5	3600	143TC	230/460 V	BC2N1.5V4C	\$469	84	13.02	1.89	68	RF, V
	3600	143TC	575 V	BC2N1.5V5C	\$469	84	13.02	1.51	68	RF, V
	1800	145TC	230/460 V	BC4N1.5V4C	\$483	86.5	14.07	2.05	70	RF, V
	1800	145TC	575 V	BC4N1.5V5C	\$483	86.5	14.07	1.64	70	RF, V
	1200	182TC	230/460 V	BC6N1.5V4C	\$710	87.5	16.24	2.22	134	RF, V
	1200	182TC	575 V	BC6N1.5V5C	\$710	87.5	16.24	1.78	134	RF, V
2	3600	145TC	230/460 V	BC2N002V4C	\$515	85.5	14.07	2.47	70	RF, V
	3600	145TC	575 V	BC2N002V5C	\$515	85.5	14.07	1.98	70	RF, V
	1800	145TC	230/460 V	BC4N002V4C	\$514	86.5	14.07	2.65	70	RF, V
	1800	145TC	575 V	BC4N002V5C	\$514	86.5	14.07	2.12	70	RF, V
	1200	184TC	230/460 V	BC6N002V4C	\$754	88.5	16.24	3.08	146	RF, V
	1200	184TC	575 V	BC6N002V5C	\$754	88.5	16.24	2.47	146	RF, V
3	3600	182TC	230/460 V	BC2N003V4C	\$686	86.5	16.24	3.55	134	RF, V
	3600	182TC	575 V	BC2N003V5C	\$686	86.5	16.24	2.84	134	RF, V
	1800	182TC	230/460 V	BC4N003V4C	\$692	89.5	16.24	3.91	134	RF, V
	1800	182TC	575 V	BC4N003V5C	\$692	89.5	16.24	3.12	134	RF, V
	1200	213TC	230/460 V	BC6N003V4C	\$1,008	89.5	19.95	4.36	206	RF, V
	1200	213TC	575 V	BC6N003V5C	\$1,008	89.5	19.95	3.48	206	RF, V
5	3600	184TC	230/460 V	BC2N005V4C	\$746	88.5	16.24	5.77	146	RF, V
	3600	184TC	575 V	BC2N005V5C	\$746	88.5	16.24	4.61	146	RF, V
	1800	184TC	230/460 V	BC4N005V4C	\$699	89.5	16.24	7.00	146	RF, V
	1800	184TC	575 V	BC4N005V5C	\$699	89.5	16.24	5.60	146	RF, V
	1200	215TC	230/460 V	BC6N005V4C	\$1,282	89.5	19.95	6.92	232	RF, V
	1200	215TC	575 V	BC6N005V5C	\$1,282	89.5	19.95	5.53	232	RF, V
7.5	3600	213TC	230/460 V	BC2N7.5V4C	\$975	89.5	19.95	8.57	216	RF, V
	3600	213TC	575 V	BC2N7.5V5C	\$975	89.5	19.95	6.86	216	RF, V
	1800	213TC	230/460 V	BC4N7.5V4C	\$1,016	91.7	19.95	8.96	216	RF, V
	1800	213TC	575 V	BC4N7.5V5C	\$1,016	91.7	19.95	7.17	216	RF, V
	1200	254TC	230/460 V	BC6N7.5V4C	\$1,689	91	23.45	9.48	334	RF, V, TM, RG
	1200	254TC	575 V	BC6N7.5V5C	\$1,689	91	23.45	7.59	334	RF, V, TM, RG
10	3600	215TC	230/460 V	BC2N010V4C	\$1,198	90.2	19.95	11.50	232	RF, V
	3600	215TC	575 V	BC2N010V5C	\$1,198	90.2	19.95	9.17	232	RF, V
	1800	215TC	230/460 V	BC4N010V4C	\$1,215	91.7	19.95	12.20	232	RF, V
	1800	215TC	575 V	BC4N010V5C	\$1,215	91.7	19.95	9.78	232	RF, V
	1200	256TC	230/460 V	BC6N010V4C	\$2,066	91	23.45	12.80	386	RF, V, TM, RG
	1200	256TC	575 V	BC6N010V5C	\$2,066	91	23.45	10.20	386	RF, V, TM, RG
15	3600	254TC	230/460 V	BC2N015V4C	\$1,754	91	23.45	16.70	334	RF, V, TM, RG
	3600	254TC	575 V	BC2N015V5C	\$1,754	91	23.45	13.30	334	RF, V, TM, RG
	1800	254TC	230/460 V	BC4N015V4C	\$1,766	92.4	23.45	17.60	334	RF, V, TM, RG
	1800	254TC	575 V	BC4N015V5C	\$1,766	92.4	23.45	14.10	334	RF, V, TM, RG
	1200	284TC	230/460 V	BC6N015V4C	\$2,612	91.7	26.53	18.10	492	RF, V, TM, RG
	1200	284TC	575 V	BC6N015V5C	\$2,612	91.7	26.53	14.50	492	RF, V, TM, RG
20	3600	256TC	230/460 V	BC2N020V4C	\$2,002	91	23.45	22.50	388	RF, V, TM, RG
	3600	256TC	575 V	BC2N020V5C	\$2,002	91	23.45	18.00	388	RF, V, TM, RG
	1800	256TC	230/460 V	BC4N020V4C	\$2,020	93	23.45	23.50	388	RF, V, TM, RG
	1800	256TC	575 V	BC4N020V5C	\$2,020	93	23.45	26.00	388	RF, V, TM, RG
	1200	286TC	230/460 V	BC6N020V4C	\$3,151	91.7	26.53	24.40	484	RF, V, TM, RG
	1200	286TC	575 V	BC6N020V5C	\$3,151	91.7	26.53	19.60	484	RF, V, TM, RG

Discount Category **55**

- General Single Phase
- Farm Duty Single Phase
- Fractional 56/56C
- NEMA Aluminum
- NEMA Cast Iron
- NEMA IEE841
- NEMA Explosion Proof
- Close Coupled Pump Motor
- NEMA 2 Speed Motor
- NEMA Brake Motor

**W Series NEMA 143TC-447TC, 3 Phase - TEFC  
C-Face With Removable Feet - Heavy Duty Cast Iron**

General Single Phase
Farm Duty Single Phase
Fractional 56/56C
NEMA Aluminum
NEMA Cast Iron
NEMA IEEE841
NEMA Explosion Proof
Close Coupled Pump Motor
NEMA 2 Speed Motor
NEMA Brake Motor

HP	RPM	Frame	Voltage	P/N	List	FL Eff.	C Dim. (IN)	FL Amps	LBS	Notes
25	3600	284TSC	230/460 V	BC2N025V4C	\$2,437	91.7	25.16	28.50	492	RF, V, TM, RG
	3600	284TSC	575 V	BC2N025V5C	\$2,437	91.7	25.16	22.80	492	RF, V, TM, RG
	1800	284TC	230/460 V	BC4N025V4C	\$2,465	93.6	26.53	28.50	492	RF, V, TM, RG
	1800	284TC	575 V	BC4N025V5C	\$2,465	93.6	26.53	22.80	492	RF, V, TM, RG
	1200	324TC	230/460 V	BC6N025-4C	\$3,991	93	32.75	30.10	675	RF, TM, RG
	1200	324TC	575 V	BC6N025-5C	\$3,991	93	32.75	24.10	675	RF, TM, RG
30	3600	286TSC	230/460 V	BC2N030V4C	\$2,873	91.7	25.16	33.50	484	RF, V, TM, RG
	3600	286TSC	575 V	BC2N030V5C	\$2,873	91.7	25.16	26.80	484	RF, V, TM, RG
	1800	286TC	230/460 V	BC4N030V4C	\$2,929	93.6	26.53	34.30	484	RF, V, TM, RG
	1800	286TC	575 V	BC4N030V5C	\$2,929	93.6	26.53	27.40	484	RF, V, TM, RG
	1200	326TC	230/460 V	BC6N030-4C	\$4,575	93	32.75	39.30	775	RF, TM, RG
	1200	326TC	575 V	BC6N030-5C	\$4,575	93	32.75	31.40	775	RF, TM, RG
40	3600	324TSC	230/460 V	BC2N040-4C	\$3,727	93	31.25	46.00	675	RF, TM, RG
	3600	324TSC	575 V	BC2N040-5C	\$3,727	93	31.25	36.80	675	RF, TM, RG
	1800	324TC	230/460 V	BC4N040-4C	\$3,756	94.1	32.75	45.00	675	RF, TM, RG
	1800	324TC	575 V	BC4N040-5C	\$3,756	94.1	32.75	36.00	675	RF, TM, RG
	1200	364TC	230/460 V	BC6N040-4C	\$5,844	94.1	32.75	50.40	939	RF, TM, RG
	1200	364TC	575 V	BC6N040-5C	\$5,844	94.1	32.75	40.30	939	RF, TM, RG
50	3600	326TSC	230/460 V	BC2N050-4C	\$4,238	93.6	32.75	57.00	775	RF, TM, RG
	3600	326TSC	575 V	BC2N050-5C	\$4,238	93.6	32.75	45.60	775	RF, TM, RG
	1800	326TC	230/460 V	BC4N050-4C	\$4,378	94.5	34.25	58.00	775	RF, TM, RG
	1800	326TC	575 V	BC4N050-5C	\$4,378	94.5	34.25	46.40	775	RF, TM, RG
	1200	365TC	230/460 V	BC6N050-4C	\$6,692	94.1	38.50	63.80	1075	RF, TM, RG
	1200	365TC	575 V	BC6N050-5C	\$6,692	94.1	38.50	51.00	1075	RF, TM, RG
60	3600	364TSC	230/460 V	BC2N060-4C	\$5,937	93.6	34.25	66.00	939	RF, TM, RG
	3600	364TSC	575 V	BC2N060-5C	\$5,937	93.6	34.25	52.80	939	RF, TM, RG
	1800	364TC	230/460 V	BC4N060-4C	\$5,821	95	36.38	68.00	939	RF, TM, RG
	1800	364TC	575 V	BC4N060-5C	\$5,821	95	36.38	54.40	939	RF, TM, RG
	1200	404TC	230/460 V	BC6N060-4C	\$8,373	94.5	42.25	74.30	1439	RF, TM, RG
	1200	404TC	575 V	BC6N060-5C	\$8,373	94.5	42.25	59.40	1439	RF, TM, RG
75	3600	365TSC	230/460 V	BC2N075-4C	\$6,771	93.6	34.25	79.30	1075	RF, TM, RG
	3600	365TSC	575 V	BC2N075-5C	\$6,771	93.6	34.25	63.40	1075	RF, TM, RG
	1800	365TC	230/460 V	BC4N075-4C	\$7,413	95.4	38.50	81.30	1075	RF, TM, RG
	1800	365TC	575 V	BC4N075-5C	\$7,413	95.4	38.50	65.00	1075	RF, TM, RG
	1200	405TC	230/460 V	BC6N075-4C	\$9,293	94.5	42	90.60	1439	RF, TM, RG
	1200	405TC	575 V	BC6N075-5C	\$9,293	94.5	42	72.50	1439	RF, TM, RG
100	3600	405TSC	230/460 V	BC2N100-4C	\$9,257	94.1	41	110.00	1439	RF, TM, RG
	3600	405TSC	575 V	BC2N100-5C	\$9,257	94.1	41	88.00	1439	RF, TM, RG
	1800	405TC	230/460 V	BC4N100-4C	\$9,011	95.4	42	116.00	1439	RF, TM, RG
	1800	405TC	575 V	BC4N100-5C	\$9,011	95.4	42	92.80	1439	RF, TM, RG
	1200	444TC	230/460 V	BC6N100-4C	\$12,821	95	47	117.30	1567	RF, TM, RG
	1200	444TC	575 V	BC6N100-5C	\$12,821	95	47	93.80	1567	RF, TM, RG
125	3600	444TSC	460 V	BC2N125-9C	\$12,912	95	43.25	137.00	1567	RF, TM, RG
	3600	444TSC	575 V	BC2N125-5C	\$12,912	95	43.25	109.60	1567	RF, TM, RG
	1800	444TC	460 V	BC4N125-9C	\$13,382	95.4	47	144.00	1567	RF, TM, RG
	1800	444TC	575 V	BC4N125-5C	\$13,382	95.4	47	115.20	1567	RF, TM, RG
	1200	445TC	460 V	BC6N125-9C	\$14,607	95	49.63	148.40	1951	RF, TM, RG
	1200	445TC	575 V	BC6N125-5C	\$14,607	95	49.63	118.70	1951	RF, TM, RG

Discount Category **55**

**W Series NEMA 143TC-447TC, 3 Phase - TEFC  
C-Face With Removable Feet - Heavy Duty Cast Iron**

HP	RPM	Frame	Voltage	P/N	List	FL Eff.	C Dim. (IN)	FL Amps	LBS	Notes
150	3600	445TSC	460 V	BC2N150-9C	\$14,141	95	45.88	161.00	1951	RF, TM, RG
	3600	445TSC	575 V	BC2N150-5C	\$14,141	95	45.88	128.80	1951	RF, TM, RG
	1800	445TC	460 V	BC4N150-9C	\$15,428	95.8	49.63	170.00	1951	RF, TM, RG
	1800	445TC	575 V	BC4N150-5C	\$15,428	95.8	49.63	136.00	1951	RF, TM, RG
	1200	447TC	460 V	BC6N150-9C	\$20,882	95.8	49.63	174.50	2355	RF, TM, RG
	1200	447TC	575 V	BC6N150-5C	\$20,882	95.8	49.63	139.60	2355	RF, TM, RG
200	3600	447TSC	460 V	BC2N200-9C	\$18,869	95.4	45.88	215.00	2355	RF, TM, RG
	3600	447TSC	575 V	BC2N200-5C	\$18,869	95.4	45.88	172.00	2355	RF, TM, RG
	1800	447TC	460 V	BC4N200-9C	\$20,137	96.2	49.63	221.00	2355	RF, TM, RG
	1800	447TC	575 V	BC4N200-5C	\$20,137	96.2	49.63	176.80	2355	RF, TM, RG

Discount Category **55**

Larger Ratings Available By Special Order in Both Low and Medium Voltage Designs. Please Contact Brook Crompton For Pricing.

- General Single Phase
- Farm Duty Single Phase
- Fractional 56/56C
- NEMA Aluminum
- NEMA Cast Iron
- NEMA IEEE841
- NEMA Explosion Proof
- Close Coupled Pump Motor
- NEMA 2 Speed Motor
- NEMA Brake Motor

**W Series NEMA 143TD-447TD, 3 Phase - TEFC  
D-Flange With Removable Feet - Heavy Duty Cast Iron**

General Single Phase
Farm Duty Single Phase
Fractional 56/56C
NEMA Aluminum
NEMA Cast Iron
NEMA IEEE841
NEMA Explosion Proof
Close Coupled Pump Motor
NEMA 2 Speed Motor
NEMA Brake Motor

HP	RPM	Frame	Voltage	P/N	List	FL Eff.	C Dim. (IN)	FL Amps	LBS	Notes
1	1800	143TD	230/460 V	BC4N001V4D	\$469	85.5	13.02	1.43	68	RF, V
	1800	143TD	575 V	BC4N001V5D	\$469	85.5	13.02	1.14	68	RF, V
	1200	145TD	230/460 V	BC6N001V4D	\$523	82.5	14.07	1.61	70	RF, V
	1200	145TD	575 V	BC6N001V5D	\$523	82.5	14.07	1.29	70	RF, V
1.5	3600	143TD	230/460 V	BC2N1.5V4D	\$492	84	13.02	1.89	68	RF, V
	3600	143TD	575 V	BC2N1.5V5D	\$492	84	13.02	1.51	68	RF, V
	1800	145TD	230/460 V	BC4N1.5V4D	\$507	86.5	14.07	2.05	70	RF, V
	1800	145TD	575 V	BC4N1.5V5D	\$507	86.5	14.07	1.64	70	RF, V
	1200	182TD	230/460 V	BC6N1.5V4D	\$710	87.5	16.24	2.22	134	RF, V
	1200	182TD	575 V	BC6N1.5V5D	\$710	87.5	16.24	1.78	134	RF, V
2	3600	145TD	230/460 V	BC2N002V4D	\$541	85.5	14.07	2.47	70	RF, V
	3600	145TD	575 V	BC2N002V5D	\$541	85.5	14.07	1.98	70	RF, V
	1800	145TD	230/460 V	BC4N002V4D	\$540	86.5	14.07	2.65	70	RF, V
	1800	145TD	575 V	BC4N002V5D	\$540	86.5	14.07	2.12	70	RF, V
	1200	184TD	230/460 V	BC6N002V4D	\$754	88.5	16.24	3.08	146	RF, V
	1200	184TD	575 V	BC6N002V5D	\$754	88.5	16.24	2.47	146	RF, V
3	3600	182TD	230/460 V	BC2N003V4D	\$720	86.5	16.24	3.55	134	RF, V
	3600	182TD	575 V	BC2N003V5D	\$720	86.5	16.24	2.84	134	RF, V
	1800	182TD	230/460 V	BC4N003V4D	\$727	89.5	16.24	3.91	134	RF, V
	1800	182TD	575 V	BC4N003V5D	\$727	89.5	16.24	3.12	134	RF, V
	1200	213TD	230/460 V	BC6N003V4D	\$1,008	89.5	19.95	4.36	206	RF, V
	1200	213TD	575 V	BC6N003V5D	\$1,008	89.5	19.95	3.48	206	RF, V
5	3600	184TD	230/460 V	BC2N005V4D	\$783	88.5	16.24	5.77	146	RF, V
	3600	184TD	575 V	BC2N005V5D	\$783	88.5	16.24	4.61	146	RF, V
	1800	184TD	230/460 V	BC4N005V4D	\$734	89.5	16.24	7.00	146	RF, V
	1800	184TD	575 V	BC4N005V5D	\$734	89.5	16.24	5.60	146	RF, V
	1200	215TD	230/460 V	BC6N005V4D	\$1,282	89.5	19.95	6.92	232	RF, V
	1200	215TD	575 V	BC6N005V5D	\$1,282	89.5	19.95	5.53	232	RF, V
7.5	3600	213TD	230/460 V	BC2N7.5V4D	\$1,024	89.5	19.95	8.57	216	RF, V
	3600	213TD	575 V	BC2N7.5V5D	\$1,024	89.5	19.95	6.86	216	RF, V
	1800	213TD	230/460 V	BC4N7.5V4D	\$1,067	91.7	19.95	8.96	216	RF, V
	1800	213TD	575 V	BC4N7.5V5D	\$1,067	91.7	19.95	7.17	216	RF, V
	1200	254TD	230/460 V	BC6N7.5V4D	\$1,689	91	23.45	9.48	334	RF, V, TM, RG
	1200	254TD	575 V	BC6N7.5V5D	\$1,689	91	23.45	7.59	334	RF, V, TM, RG
10	3600	215TD	230/460 V	BC2N010V4D	\$1,258	90.2	19.95	11.50	232	RF, V
	3600	215TD	575 V	BC2N010V5D	\$1,258	90.2	19.95	9.17	232	RF, V
	1800	215TD	230/460 V	BC4N010V4D	\$1,276	91.7	19.95	12.20	232	RF, V
	1800	215TD	575 V	BC4N010V5D	\$1,276	91.7	19.95	9.78	232	RF, V
	1200	256TD	230/460 V	BC6N010V4D	\$2,066	91	23.45	12.80	386	RF, V, TM, RG
	1200	256TD	575 V	BC6N010V5D	\$2,066	91	23.45	10.20	386	RF, V, TM, RG
15	3600	254TD	230/460 V	BC2N015V4D	\$1,842	91	23.45	16.70	334	RF, V, TM, RG
	3600	254TD	575 V	BC2N015V5D	\$1,842	91	23.45	13.30	334	RF, V, TM, RG
	1800	254TD	230/460 V	BC4N015V4D	\$1,854	92.4	23.45	17.60	334	RF, V, TM, RG
	1800	254TD	575 V	BC4N015V5D	\$1,854	92.4	23.45	14.10	334	RF, V, TM, RG
	1200	284TD	230/460 V	BC6N015V4D	\$2,612	91.7	26.53	18.10	492	RF, V, TM, RG
	1200	284TD	575 V	BC6N015V5D	\$2,612	91.7	26.53	14.50	492	RF, V, TM, RG
20	3600	256TD	230/460 V	BC2N020V4D	\$2,102	91	23.45	22.50	388	RF, V, TM, RG
	3600	256TD	575 V	BC2N020V5D	\$2,102	91	23.45	18.00	388	RF, V, TM, RG
	1800	256TD	230/460 V	BC4N020V4D	\$2,121	93	23.45	23.50	388	RF, V, TM, RG
	1800	256TD	575 V	BC4N020V5D	\$2,121	93	23.45	26.00	388	RF, V, TM, RG
	1200	286TD	230/460 V	BC6N020V4D	\$3,151	91.7	26.53	24.40	484	RF, V, TM, RG
	1200	286TD	575 V	BC6N020V5D	\$3,151	91.7	26.53	19.60	484	RF, V, TM, RG

Discount Category **55**



# W Series NEMA 143TD-447TD, 3 Phase - TEFC D-Flange With Removable Feet - Heavy Duty Cast Iron



HP	RPM	Frame	Voltage	P/N	List	FL Eff.	C Dim. (IN)	FL Amps	LBS	Notes
25	3600	284TSD	230/460 V	BC2N025V4D	\$2,559	91.7	25.16	28.50	492	RF, V, TM, RG
	3600	284TSD	575 V	BC2N025V5D	\$2,559	91.7	25.16	22.80	492	RF, V, TM, RG
	1800	284TD	230/460 V	BC4N025V4D	\$2,588	93.6	26.53	28.50	492	RF, V, TM, RG
	1800	284TD	575 V	BC4N025V5D	\$2,588	93.6	26.53	22.80	492	RF, V, TM, RG
	1200	324TD	230/460 V	BC6N025-4D	\$3,991	93	32.75	30.10	675	RF, TM, RG
	1200	324TD	575 V	BC6N025-5D	\$3,991	93	32.75	24.10	675	RF, TM, RG
30	3600	286TSD	230/460 V	BC2N030V4D	\$3,017	91.7	25.16	33.50	484	RF, V, TM, RG
	3600	286TSD	575 V	BC2N030V5D	\$3,017	91.7	25.16	26.80	484	RF, V, TM, RG
	1800	286TD	230/460 V	BC4N030V4D	\$3,075	93.6	26.53	34.30	484	RF, V, TM, RG
	1800	286TD	575 V	BC4N030V5D	\$3,075	93.6	26.53	27.40	484	RF, V, TM, RG
	1200	326TD	230/460 V	BC6N030-4D	\$4,575	93	32.75	39.30	775	RF, TM, RG
	1200	326TD	575 V	BC6N030-5D	\$4,575	93	32.75	31.40	775	RF, TM, RG
40	3600	324TSD	230/460 V	BC2N040-4D	\$3,913	93	31.25	46.00	675	RF, TM, RG
	3600	324TSD	575 V	BC2N040-5D	\$3,913	93	31.25	36.80	675	RF, TM, RG
	1800	324TD	230/460 V	BC4N040-4D	\$3,944	94.1	32.75	45.00	675	RF, TM, RG
	1800	324TD	575 V	BC4N040-5D	\$3,944	94.1	32.75	36.00	675	RF, TM, RG
	1200	364TD	230/460 V	BC6N040-4D	\$5,958	94.1	32.75	50.40	939	RF, TM, RG
	1200	364TD	575 V	BC6N040-5D	\$5,958	94.1	32.75	40.30	939	RF, TM, RG
50	3600	326TSD	230/460 V	BC2N050-4D	\$4,450	93.6	32.75	57.00	775	RF, TM, RG
	3600	326TSD	575 V	BC2N050-5D	\$4,450	93.6	32.75	45.60	775	RF, TM, RG
	1800	326TD	230/460 V	BC4N050-4D	\$4,597	94.5	34.25	58.00	775	RF, TM, RG
	1800	326TD	575 V	BC4N050-5D	\$4,597	94.5	34.25	46.40	775	RF, TM, RG
	1200	365TD	230/460 V	BC6N050-4D	\$6,822	94.1	38.50	63.80	1075	RF, TM, RG
	1200	365TD	575 V	BC6N050-5D	\$6,822	94.1	38.50	51.00	1075	RF, TM, RG
60	3600	364TSD	230/460 V	BC2N060-4D	\$6,234	93.6	34.25	66.00	939	RF, TM, RG
	3600	364TSD	575 V	BC2N060-5D	\$6,234	93.6	34.25	52.80	939	RF, TM, RG
	1800	364TD	230/460 V	BC4N060-4D	\$6,112	95	36.38	68.00	939	RF, TM, RG
	1800	364TD	575 V	BC4N060-5D	\$6,112	95	36.38	54.40	939	RF, TM, RG
	1200	404TD	230/460 V	BC6N060-4D	\$8,535	94.5	42.25	74.30	1439	RF, TM, RG
	1200	404TD	575 V	BC6N060-5D	\$8,535	94.5	42.25	59.40	1439	RF, TM, RG
75	3600	365TSD	230/460 V	BC2N075-4D	\$7,110	93.6	34.25	79.30	1075	RF, TM, RG
	3600	365TSD	575 V	BC2N075-5D	\$7,110	93.6	34.25	63.40	1075	RF, TM, RG
	1800	365TD	230/460 V	BC4N075-4D	\$7,784	95.4	38.50	81.30	1075	RF, TM, RG
	1800	365TD	575 V	BC4N075-5D	\$7,784	95.4	38.50	65.00	1075	RF, TM, RG
	1200	405TD	230/460 V	BC6N075-4D	\$9,473	94.5	42	90.60	1439	RF, TM, RG
	1200	405TD	575 V	BC6N075-5D	\$9,473	94.5	42	72.50	1439	RF, TM, RG
100	3600	405TSD	230/460 V	BC2N100-4D	\$9,720	94.1	41	110.00	1439	RF, TM, RG
	3600	405TSD	575 V	BC2N100-5D	\$9,720	94.1	41	88.00	1439	RF, TM, RG
	1800	405TD	230/460 V	BC4N100-4D	\$9,462	95.4	42	116.00	1439	RF, TM, RG
	1800	405TD	575 V	BC4N100-5D	\$9,462	95.4	42	92.80	1439	RF, TM, RG
	1200	444TD	230/460 V	BC6N100-4D	\$13,070	95	47	117.30	1567	RF, TM, RG
	1200	444TD	575 V	BC6N100-5D	\$13,070	95	47	93.80	1567	RF, TM, RG
125	3600	444TSD	460 V	BC2N125-9D	\$13,558	95	43.25	137.00	1567	RF, TM, RG
	3600	444TSD	575 V	BC2N125-5D	\$13,558	95	43.25	109.60	1567	RF, TM, RG
	1800	444TD	460 V	BC4N125-9D	\$14,051	95.4	47	144.00	1567	RF, TM, RG
	1800	444TD	575 V	BC4N125-5D	\$14,051	95.4	47	115.20	1567	RF, TM, RG
	1200	445TD	460 V	BC6N125-9D	\$14,891	95	49.63	148.40	1951	RF, TM, RG
	1200	445TD	575 V	BC6N125-5D	\$14,891	95	49.63	118.70	1951	RF, TM, RG

Discount Category **55**

- General Single Phase
- Farm Duty Single Phase
- Fractional 56/56C
- NEMA Aluminum
- NEMA Cast Iron
- NEMA IEE841
- NEMA Explosion Proof
- Close Coupled Pump Motor
- NEMA 2 Speed Motor
- NEMA Brake Motor

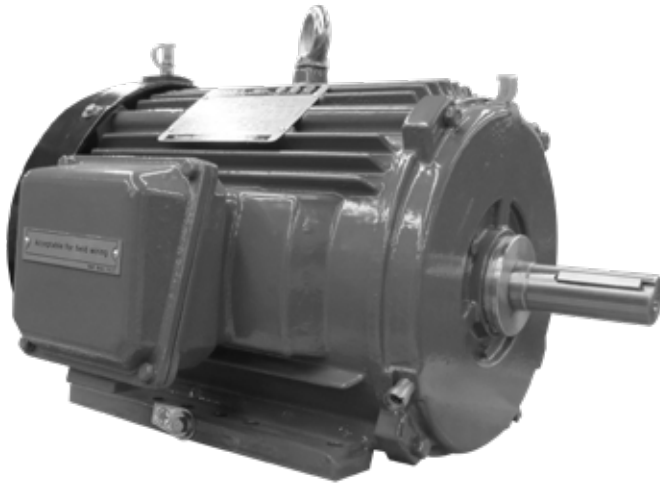
**W Series NEMA 143TD-447TD, 3 Phase - TEFC  
D-Flange With Removable Feet - Heavy Duty Cast Iron**

- General Single Phase
- Farm Duty Single Phase
- Fractional 56/56C
- NEMA Aluminum
- NEMA Cast Iron
- NEMA IEEE841
- NEMA Explosion Proof
- Close Coupled Pump Motor
- NEMA 2 Speed Motor
- NEMA Brake Motor

HP	RPM	Frame	Voltage	P/N	List	FL Eff.	C Dim. (IN)	FL Amps	LBS	Notes
150	3600	445TSD	460 V	BC2N150-9D	\$14,848	95	45.88	161.00	1951	RF, TM, RG
	3600	445TSD	575 V	BC2N150-5D	\$14,848	95	45.88	128.80	1951	RF, TM, RG
	1800	445TD	460 V	BC4N150-9D	\$16,199	95.8	49.63	170.00	1951	RF, TM, RG
	1800	445TD	575 V	BC4N150-5D	\$16,199	95.8	49.63	136.00	1951	RF, TM, RG
	1200	447TD	460 V	BC6N150-9D	\$21,288	95.8	49.63	174.50	2355	RF, TM, RG
	1200	447TD	575 V	BC6N150-5D	\$21,288	95.8	49.63	139.60	2355	RF, TM, RG
200	3600	447TSD	460 V	BC2N200-9D	\$19,812	95.4	45.88	215.00	2355	RF, TM, RG
	3600	447TSD	575 V	BC2N200-5D	\$19,812	95.4	45.88	172.00	2355	RF, TM, RG
	1800	447TD	460 V	BC4N200-9D	\$21,144	96.2	49.63	221.00	2355	RF, TM, RG
	1800	447TD	575 V	BC4N200-5D	\$21,144	96.2	49.63	176.80	2355	RF, TM, RG

Discount Category **55**

**Larger Ratings Available By Special Order in Both Low and Medium Voltage Designs.  
Please Contact Brook Crompton For Pricing.**



Heavy Duty Cast Iron Construction: Frame, End Brackets, & Conduit Box With Cast Iron Fanguard and Non-sparking Fan, for Severe Duty Applications, Made to IEEE841 Specifications. Features Include:

- NEMA MG1-Part 31 inverter duty 5:1 constant torque, 10:1 variable torque
- 1.15 service factor at 60Hz, 1.0 service factor at 50Hz
- Class F insulation with class B temperature rise
- IP56 degree of protection for washdown duty applications
- Labyrinth style seal on both ends of shaft
- Low vibration level of .08 in/s or less
- Foot flatness of .005 in max
- Extended grease tubes for re-greasing in the field without disassembly of the motor
- Corrosion resistant grade 5 hardware
- Epoxy paint
- Special shaft TIR specification (1/2 of NEMA standard)
- Dual rated 60/50Hz at same HP
- CSA/UL approved for for Class I Div. 2/ Zone 2 Gr. A,B,C,D. Class II Div. 2/ Zone 22 Gr. F & G
- IEEE841 test report supplied with each motor
- 5 year warranty

General Single Phase
Farm Duty Single Phase
Fractional 56/56C
NEMA Aluminum
NEMA Cast Iron
<b>NEMA IEEE841</b>
NEMA Explosion Proof
Close Coupled Pump Motor
NEMA 2 Speed Motor
NEMA Brake Motor

General Single Phase
Farm Duty Single Phase
Fractional 56/56C
NEMA Aluminum
NEMA Cast Iron
NEMA IEEE841
NEMA Explosion Proof
Close Coupled Pump Motor
NEMA 2 Speed Motor
NEMA Brake Motor

HP	RPM	Frame	Voltage	P/N	List	FL Eff.	C Dim. (IN)	FL Amps	LBS	Notes
1	1800	143T	460 V	MC4N001-9	\$523	85.5	15.35	1.35	71	RG
	1800	143T	575 V	MC4N001-5	\$523	85.5	15.35	1.08	71	RG
	1200	145T	460 V	MC6N001-9	\$589	82.5	15.35	1.65	75	RG
	1200	145T	575 V	MC6N001-5	\$589	82.5	15.35	1.32	75	RG
1.5	3600	143T	460 V	MC2N1.5-9	\$551	84.0	15.35	1.85	71	RG
	3600	143T	575 V	MC2N1.5-5	\$551	84.0	15.35	1.48	71	RG
	1800	145T	460 V	MC4N1.5-9	\$569	86.5	15.35	1.95	75	RG
	1800	145T	575 V	MC4N1.5-5	\$569	86.5	15.35	1.56	75	RG
	1200	182T	460 V	MC6N1.5-9	\$794	87.5	18.42	2.07	141	RG
	1200	182T	575 V	MC6N1.5-5	\$794	87.5	18.42	1.66	141	RG
2	3600	145T	460 V	MC2N002-9	\$611	85.6	15.35	2.50	75	RG
	3600	145T	575 V	MC2N002-5	\$611	85.6	15.35	2.00	75	RG
	1800	145T	460 V	MC4N002-9	\$610	86.5	15.35	2.60	75	RG
	1800	145T	575 V	MC4N002-5	\$610	86.5	15.35	2.08	75	RG
	1200	184T	460 V	MC6N002-9	\$849	88.5	18.42	2.80	137	RG
	1200	184T	575 V	MC6N002-5	\$849	88.5	18.42	2.24	137	RG
3	3600	182T	460 V	MC2N003-9	\$807	86.5	18.42	3.50	141	RG
	3600	182T	575 V	MC2N003-5	\$807	86.5	18.42	2.80	141	RG
	1800	182T	460 V	MC4N003-9	\$815	89.5	18.42	3.80	141	RG
	1800	182T	575 V	MC4N003-5	\$815	89.5	18.42	3.04	141	RG
	1200	213T	460 V	MC6N003-9	\$1,118	89.5	21.85	3.95	256	RG
	1200	213T	575 V	MC6N003-5	\$1,118	89.5	21.85	3.16	256	RG
5	3600	184T	460 V	MC2N005-9	\$885	88.5	18.42	6.00	137	RG
	3600	184T	575 V	MC2N005-5	\$885	88.5	18.42	4.80	137	RG
	1800	184T	460 V	MC4N005-9	\$824	89.5	18.42	7.00	137	RG
	1800	184T	575 V	MC4N005-5	\$824	89.5	18.42	5.60	137	RG
	1200	215T	460 V	MC6N005-9	\$1,457	89.5	21.85	7.50	258	RG
	1200	215T	575 V	MC6N005-5	\$1,457	89.5	21.85	6.00	258	RG
7.5	3600	213T	460 V	MC2N7.5-9	\$1,138	89.5	21.85	8.30	256	RG
	3600	213T	575 V	MC2N7.5-5	\$1,138	89.5	21.85	6.64	256	RG
	1800	213T	460 V	MC4N7.5-9	\$1,191	91.7	21.85	8.90	256	RG
	1800	213T	575 V	MC4N7.5-5	\$1,191	91.7	21.85	7.12	256	RG
	1200	254T	460 V	MC6N7.5-9	\$1,910	91.0	25.20	12.50	353	RG
	1200	254T	575 V	MC6N7.5-5	\$1,910	91.0	25.20	10.00	353	RG
10	3600	215T	460 V	MC2N010-9	\$1,427	90.2	21.85	11.50	258	RG
	3600	215T	575 V	MC2N010-5	\$1,427	90.2	21.85	9.20	258	RG
	1800	215T	460 V	MC4N010-9	\$1,450	91.7	21.85	12.20	258	RG
	1800	215T	575 V	MC4N010-5	\$1,450	91.7	21.85	9.76	258	RG
	1200	256T	460 V	MC6N010-9	\$2,376	91.0	25.20	12.50	368	RG
	1200	256T	575 V	MC6N010-5	\$2,376	91.0	25.20	10.00	368	RG
15	3600	254T	460 V	MC2N015-9	\$2,098	91.0	25.20	16.50	353	RG
	3600	254T	575 V	MC2N015-5	\$2,098	91.0	25.20	13.20	353	RG
	1800	254T	460 V	MC4N015-9	\$2,114	92.4	25.20	17.50	353	RG
	1800	254T	575 V	MC4N015-5	\$2,114	92.4	25.20	14.00	353	RG
	1200	284T	460 V	MC6N015-9	\$2,948	91.7	28.54	18.10	512	RG
	1200	284T	575 V	MC6N015-5	\$2,948	91.7	28.54	14.48	512	RG
20	3600	256T	460 V	MC2N020-9	\$2,421	91.0	25.20	22.80	368	RG
	3600	256T	575 V	MC2N020-5	\$2,421	91.0	25.20	18.24	368	RG
	1800	256T	460 V	MC4N020-9	\$2,444	93.0	25.20	23.00	368	RG
	1800	256T	575 V	MC4N020-5	\$2,444	93.0	25.20	18.40	368	RG
	1200	286T	460 V	MC6N020-9	\$3,615	91.7	28.54	23.50	542	RG
	1200	286T	575 V	MC6N020-5	\$3,615	91.7	28.54	18.80	542	RG

Discount Category **22**

# NEMA IEEE841 143T-449T - TEFC Foot Mounted - Heavy Duty Cast Iron

HP	RPM	Frame	Voltage	P/N	List	FL Eff.	C Dim. (IN)	FL Amps	LBS	Notes
25	3600	284TS	460 V	MC2N025-9	\$2,882	91.7	27.16	27.50	512	RG
	3600	284TS	575 V	MC2N025-5	\$2,882	91.7	27.16	22.00	512	RG
	1800	284T	460 V	MC4N025-9	\$2,919	93.6	28.54	27.50	514	RG
	1800	284T	575 V	MC4N025-5	\$2,919	93.6	28.54	22.00	514	RG
	1200	324T	460 V	MC6N025-9	\$4,603	93.0	31.90	29.00	662	RG
	1200	324T	575 V	MC6N025-5	\$4,603	93.0	31.90	23.20	662	RG
30	3600	286TS	460 V	MC2N030-9	\$3,449	91.7	27.16	32.50	542	RG
	3600	286TS	575 V	MC2N030-5	\$3,449	91.7	27.16	26.00	542	RG
	1800	286T	460 V	MC4N030-9	\$3,522	93.6	28.54	32.50	545	RG
	1800	286T	575 V	MC4N030-5	\$3,522	93.6	28.54	26.00	545	RG
	1200	326T	460 V	MC6N030-9	\$5,326	93.0	31.90	37.10	670	RG
	1200	326T	575 V	MC6N030-5	\$5,326	93.0	31.90	29.68	670	RG
40	3600	324TS	460 V	MC2N040-9	\$4,507	92.4	30.30	44.50	662	RG
	3600	324TS	575 V	MC2N040-5	\$4,507	92.4	30.30	35.60	662	RG
	1800	324T	460 V	MC4N040-9	\$4,545	94.1	31.90	46.00	664	RG
	1800	324T	575 V	MC4N040-5	\$4,545	94.1	31.90	36.80	664	RG
	1200	364T	460 V	MC6N040-9	\$6,869	94.1	34.84	56.50	922	RG
	1200	364T	575 V	MC6N040-5	\$6,869	94.1	34.84	45.20	922	RG
50	3600	326TS	460 V	MC2N050-9	\$5,171	93.0	30.30	54.00	670	RG
	3600	326TS	575 V	MC2N050-5	\$5,171	93.0	30.30	43.20	670	RG
	1800	326T	460 V	MC4N050-9	\$5,353	94.5	31.90	55.00	673	RG
	1800	326T	575 V	MC4N050-5	\$5,353	94.5	31.90	44.00	673	RG
	1200	365T	460 V	MC6N050-9	\$7,939	94.1	37.72	55.00	681	RG
	1200	365T	575 V	MC6N050-5	\$7,939	94.1	37.72	44.00	681	RG
60	3600	364TS	460 V	MC2N060-9	\$7,211	93.6	34.84	68.00	895	RG
	3600	364TS	575 V	MC2N060-5	\$7,211	93.6	34.84	54.40	895	RG
	1800	364T	460 V	MC4N060-9	\$7,060	95.0	37.72	70.00	897	RG
	1800	364T	575 V	MC4N060-5	\$7,060	95.0	37.72	56.00	897	RG
	1200	404T	460 V	MC6N060-9	\$9,762	94.5	38.60	69.00	1327	RG
	1200	404T	575 V	MC6N060-5	\$9,762	94.5	38.60	55.20	1327	RG
75	3600	365TS	460 V	MC2N075-9	\$8,295	93.6	34.84	84.50	922	RG
	3600	365TS	575 V	MC2N075-5	\$8,295	93.6	34.84	67.60	922	RG
	1800	365T	460 V	MC4N075-9	\$9,130	95.4	37.72	86.50	924	RG
	1800	365T	575 V	MC4N075-5	\$9,130	95.4	37.72	69.20	924	RG
	1200	405T	460 V	MC6N075-9	\$11,250	94.5	38.60	89.00	1345	RG
	1200	405T	575 V	MC6N075-5	\$11,250	94.5	38.60	71.20	1345	RG
100	3600	405TS	460 V	MC2N100-9	\$11,228	94.1	35.60	110.00	1345	RG
	3600	405TS	575 V	MC2N100-5	\$11,228	94.1	35.60	88.00	1345	RG
	1800	405T	460 V	MC4N100-9	\$10,908	95.4	38.60	112.00	1345	RG
	1800	405T	575 V	MC4N100-5	\$10,908	95.4	38.60	89.60	1345	RG
	1200	444T	460 V	MC6N100-9	\$15,141	95.0	45.08	117.00	1579	RG
	1200	444T	575 V	MC6N100-5	\$15,141	95.0	45.08	93.60	1579	RG
125	3600	444TS	460 V	MC2N125-9	\$15,304	95.0	41.34	130.00	1579	RG
	3600	444TS	575 V	MC2N125-5	\$15,304	95.0	41.34	104.00	1579	RG
	1800	444T	460 V	MC4N125-9	\$15,915	95.4	45.08	133.00	1581	RG
	1800	444T	575 V	MC4N125-5	\$15,915	95.4	45.08	106.40	1581	RG
	1200	445T	460 V	MC6N125-9	\$17,945	95.0	45.08	135.00	1713	RG
	1200	445T	575 V	MC6N125-5	\$17,945	95.0	45.08	108.00	1713	RG

Discount Category **22**

General  
Single Phase

Farm Duty  
Single Phase

Fractional  
56/56C

NEMA  
Aluminum

NEMA  
Cast Iron

NEMA IEEE841

NEMA  
Explosion Proof

Close Coupled  
Pump Motor

NEMA  
2 Speed Motor

NEMA  
Brake Motor

- General Single Phase
- Farm Duty Single Phase
- Fractional 5/56C
- NEMA Aluminum
- NEMA Cast Iron
- NEMA IEEE841
- NEMA Explosion Proof
- Close Coupled Pump Motor
- NEMA 2 Speed Motor
- NEMA Brake Motor

HP	RPM	Frame	Voltage	P/N	List	FL Eff.	C Dim. (IN)	FL Amps	LBS	Notes
150	3600	445TS	460 V	MC2N150-9	\$16,901	95.0	41.34	160.00	1713	RG
	3600	445TS	575 V	MC2N150-5	\$16,901	95.0	41.34	128.00	1713	RG
	1800	445T	460 V	MC4N150-9	\$18,574	95.8	45.08	162.50	1713	RG
	1800	445T	575 V	MC4N150-5	\$18,574	95.8	45.08	130.00	1713	RG
	1200	447T	460 V	MC6N150-9	\$25,620	95.8	55.71	166.00	2375	RG
	1200	447T	575 V	MC6N150-5	\$25,620	95.8	55.71	132.80	2375	RG
200	3600	447TS	460 V	MC2N200-9	\$23,048	95.4	50.79	213.50	2375	RG
	3600	447TS	575 V	MC2N200-5	\$23,048	95.4	50.79	170.80	2375	RG
	1800	447T	460 V	MC4N200-9	\$24,696	96.2	55.71	223.00	2377	RG
	1800	447T	575 V	MC4N200-5	\$24,696	96.2	55.71	178.40	2377	RG
250	1800	449T	460 V	MC4N250-9	\$27,166	96.2	55.71	284.00	2700	RG
	1800	449T	575 V	MC4N250-5	\$27,166	96.2	55.71	227.20	2700	RG
300	1800	449T	460 V	MC4N300-9	\$34,700	95.4	55.71	178.90	2700	RG
	1800	449T	575 V	MC4N300-5	\$34,700	95.4	55.71	143.12	2700	RG

Discount Category **22**

**NEMA IEEE841 143TC-449TC - TEFC  
C-Face Mount With Feet - Heavy Duty Cast Iron**



HP	RPM	Frame	Voltage	P/N	List	FL Eff.	C Dim. (IN)	FL Amps	LBS	Notes
1	1800	143TC	460 V	MC4N001-9C	\$581	85.5	15.35	1.35	76	RG
	1800	143TC	575 V	MC4N001-5C	\$581	85.5	15.35	1.08	76	RG
	1200	145TC	460 V	MC6N001-9C	\$647	82.5	15.35	1.65	80	RG
	1200	145TC	575 V	MC6N001-5C	\$647	82.5	15.35	1.32	80	RG
1.5	3600	143TC	460 V	MC2N1.5-9C	\$610	84.0	15.35	1.85	76	RG
	3600	143TC	575 V	MC2N1.5-5C	\$610	84.0	15.35	1.48	76	RG
	1800	145TC	460 V	MC4N1.5-9C	\$628	86.5	15.35	1.95	80	RG
	1800	145TC	575 V	MC4N1.5-5C	\$628	86.5	15.35	1.56	80	RG
	1200	182TC	460 V	MC6N1.5-9C	\$879	87.5	18.42	2.07	151	RG
	1200	182TC	575 V	MC6N1.5-5C	\$879	87.5	18.42	1.66	151	RG
2	3600	145TC	460 V	MC2N002-9C	\$670	85.6	15.35	2.50	80	RG
	3600	145TC	575 V	MC2N002-5C	\$670	85.6	15.35	2.00	80	RG
	1800	145TC	460 V	MC4N002-9C	\$668	86.5	15.35	2.60	80	RG
	1800	145TC	575 V	MC4N002-5C	\$668	86.5	15.35	2.08	80	RG
	1200	184TC	460 V	MC6N002-9C	\$933	88.5	18.42	2.80	147	RG
	1200	184TC	575 V	MC6N002-5C	\$933	88.5	18.42	2.24	147	RG
3	3600	182TC	460 V	MC2N003-9C	\$892	86.5	18.42	3.50	151	RG
	3600	182TC	575 V	MC2N003-5C	\$892	86.5	18.42	2.80	151	RG
	1800	182TC	460 V	MC4N003-9C	\$900	89.5	18.42	3.80	151	RG
	1800	182TC	575 V	MC4N003-5C	\$900	89.5	18.42	3.04	151	RG
	1200	213TC	460 V	MC6N003-9C	\$1,248	89.5	21.85	3.95	274	RG
	1200	213TC	575 V	MC6N003-5C	\$1,248	89.5	21.85	3.16	274	RG
5	3600	184TC	460 V	MC2N005-9C	\$970	88.5	18.42	6.00	147	RG
	3600	184TC	575 V	MC2N005-5C	\$970	88.5	18.42	4.80	147	RG
	1800	184TC	460 V	MC4N005-9C	\$909	89.5	18.42	7.00	147	RG
	1800	184TC	575 V	MC4N005-5C	\$909	89.5	18.42	5.60	147	RG
	1200	215TC	460 V	MC6N005-9C	\$1,587	89.5	21.85	7.50	276	RG
	1200	215TC	575 V	MC6N005-5C	\$1,587	89.5	21.85	6.00	276	RG
7.5	3600	213TC	460 V	MC2N7.5-9C	\$1,268	89.5	21.85	8.30	274	RG
	3600	213TC	575 V	MC2N7.5-5C	\$1,268	89.5	21.85	6.64	274	RG
	1800	213TC	460 V	MC4N7.5-9C	\$1,321	91.7	21.85	8.90	274	RG
	1800	213TC	575 V	MC4N7.5-5C	\$1,321	91.7	21.85	7.12	274	RG
	1200	254TC	460 V	MC6N7.5-9C	\$2,092	91.0	25.20	12.50	378	RG
	1200	254TC	575 V	MC6N7.5-5C	\$2,092	91.0	25.20	10.00	378	RG
10	3600	215TC	460 V	MC2N010-9C	\$1,557	90.2	21.85	11.50	276	RG
	3600	215TC	575 V	MC2N010-5C	\$1,557	90.2	21.85	9.20	276	RG
	1800	215TC	460 V	MC4N010-9C	\$1,580	91.7	21.85	12.20	276	RG
	1800	215TC	575 V	MC4N010-5C	\$1,580	91.7	21.85	9.76	276	RG
	1200	256TC	460 V	MC6N010-9C	\$2,558	91.0	25.20	12.50	394	RG
	1200	256TC	575 V	MC6N010-5C	\$2,558	91.0	25.20	10.00	394	RG
15	3600	254TC	460 V	MC2N015-9C	\$2,280	91.0	25.20	16.50	378	RG
	3600	254TC	575 V	MC2N015-5C	\$2,280	91.0	25.20	13.20	378	RG
	1800	254TC	460 V	MC4N015-9C	\$2,296	92.4	25.20	17.50	378	RG
	1800	254TC	575 V	MC4N015-5C	\$2,296	92.4	25.20	14.00	378	RG
	1200	284TC	460 V	MC6N015-9C	\$3,234	91.7	28.54	18.10	548	RG
	1200	284TC	575 V	MC6N015-5C	\$3,234	91.7	28.54	14.48	548	RG
20	3600	256TC	460 V	MC2N020-9C	\$2,603	91.0	25.20	22.80	394	RG
	3600	256TC	575 V	MC2N020-5C	\$2,603	91.0	25.20	18.24	394	RG
	1800	256TC	460 V	MC4N020-9C	\$2,626	93.0	25.20	23.00	394	RG
	1800	256TC	575 V	MC4N020-5C	\$2,626	93.0	25.20	18.40	394	RG
	1200	286TC	460 V	MC6N020-9C	\$3,901	91.7	28.54	23.50	580	RG
	1200	286TC	575 V	MC6N020-5C	\$3,901	91.7	28.54	18.80	580	RG

Discount Category **22**

General Single Phase  
Farm Duty Single Phase  
Fractional 56/56C  
NEMA Aluminum  
NEMA Cast Iron  
NEMA IEEE841  
NEMA Explosion Proof  
Close Coupled Pump Motor  
NEMA 2 Speed Motor  
NEMA Brake Motor

General Single Phase
Farm Duty Single Phase
Fractional 56/56C
NEMA Aluminum
NEMA Cast Iron
NEMA IEEE841
NEMA Explosion Proof
Close Coupled Pump Motor
NEMA 2 Speed Motor
NEMA Brake Motor

HP	RPM	Frame	Voltage	P/N	List	FL Eff.	C Dim. (IN)	FL Amps	LBS	Notes
25	3600	284TSC	460 V	MC2N025-9C	\$3,168	91.7	27.16	27.50	548	RG
	3600	284TSC	575 V	MC2N025-5C	\$3,168	91.7	27.16	22.00	548	RG
	1800	284TC	460 V	MC4N025-9C	\$3,205	93.6	28.54	27.50	550	RG
	1800	284TC	575 V	MC4N025-5C	\$3,205	93.6	28.54	22.00	550	RG
	1200	324TC	460 V	MC6N025-9C	\$4,941	93.0	31.90	29.00	708	RG
	1200	324TC	575 V	MC6N025-5C	\$4,941	93.0	31.90	23.20	708	RG
30	3600	286TSC	460 V	MC2N030-9C	\$3,735	91.7	27.16	32.50	580	RG
	3600	286TSC	575 V	MC2N030-5C	\$3,735	91.7	27.16	26.00	580	RG
	1800	286TC	460 V	MC4N030-9C	\$3,808	93.6	28.54	32.50	583	RG
	1800	286TC	575 V	MC4N030-5C	\$3,808	93.6	28.54	26.00	583	RG
	1200	326TC	460 V	MC6N030-9C	\$5,664	93.0	31.90	37.10	717	RG
	1200	326TC	575 V	MC6N030-5C	\$5,664	93.0	31.90	29.68	717	RG
40	3600	324TSC	460 V	MC2N040-9C	\$4,845	92.4	30.30	44.50	708	RG
	3600	324TSC	575 V	MC2N040-5C	\$4,845	92.4	30.30	35.60	708	RG
	1800	324TC	460 V	MC4N040-9C	\$4,883	94.1	31.90	46.00	710	RG
	1800	324TC	575 V	MC4N040-5C	\$4,883	94.1	31.90	36.80	710	RG
	1200	364TC	460 V	MC6N040-9C	\$7,376	94.1	34.84	56.50	987	RG
	1200	364TC	575 V	MC6N040-5C	\$7,376	94.1	34.84	45.20	987	RG
50	3600	326TSC	460 V	MC2N050-9C	\$5,509	93.0	30.30	54.00	717	RG
	3600	326TSC	575 V	MC2N050-5C	\$5,509	93.0	30.30	43.20	717	RG
	1800	326TC	460 V	MC4N050-9C	\$5,691	94.5	31.90	55.00	720	RG
	1800	326TC	575 V	MC4N050-5C	\$5,691	94.5	31.90	44.00	720	RG
	1200	365TC	460 V	MC6N050-9C	\$8,446	94.1	37.72	55.00	729	RG
	1200	365TC	575 V	MC6N050-5C	\$8,446	94.1	37.72	44.00	729	RG
60	3600	364TSC	460 V	MC2N060-9C	\$7,718	93.6	34.84	68.00	958	RG
	3600	364TSC	575 V	MC2N060-5C	\$7,718	93.6	34.84	54.40	958	RG
	1800	364TC	460 V	MC4N060-9C	\$7,567	95.0	37.72	70.00	960	RG
	1800	364TC	575 V	MC4N060-5C	\$7,567	95.0	37.72	56.00	960	RG
	1200	404TC	460 V	MC6N060-9C	\$10,568	94.5	38.60	69.00	1420	RG
	1200	404TC	575 V	MC6N060-5C	\$10,568	94.5	38.60	55.20	1420	RG
75	3600	365TSC	460 V	MC2N075-9C	\$8,802	93.6	34.84	84.50	987	RG
	3600	365TSC	575 V	MC2N075-5C	\$8,802	93.6	34.84	67.60	987	RG
	1800	365TC	460 V	MC4N075-9C	\$9,637	95.4	37.72	86.50	989	RG
	1800	365TC	575 V	MC4N075-5C	\$9,637	95.4	37.72	69.20	989	RG
	1200	405TC	460 V	MC6N075-9C	\$12,081	94.5	38.60	89.00	1439	RG
	1200	405TC	575 V	MC6N075-5C	\$12,081	94.5	38.60	71.20	1439	RG
100	3600	405TSC	460 V	MC2N100-9C	\$12,034	94.1	35.60	110.00	1439	RG
	3600	405TSC	575 V	MC2N100-5C	\$12,034	94.1	35.60	88.00	1439	RG
	1800	405TC	460 V	MC4N100-9C	\$11,714	95.4	38.60	112.00	1439	RG
	1800	405TC	575 V	MC4N100-5C	\$11,714	95.4	38.60	89.60	1439	RG
	1200	444TC	460 V	MC6N100-9C	\$16,667	95.0	45.08	117.00	1690	RG
	1200	444TC	575 V	MC6N100-5C	\$16,667	95.0	45.08	93.60	1690	RG
125	3600	444TSC	460 V	MC2N125-9C	\$16,786	95.0	41.34	130.00	1690	RG
	3600	444TSC	575 V	MC2N125-5C	\$16,786	95.0	41.34	104.00	1690	RG
	1800	444TC	460 V	MC4N125-9C	\$17,397	95.4	45.08	133.00	1692	RG
	1800	444TC	575 V	MC4N125-5C	\$17,397	95.4	45.08	106.40	1692	RG
	1200	445TC	460 V	MC6N125-9C	\$18,989	95.0	45.08	135.00	1833	RG
	1200	445TC	575 V	MC6N125-5C	\$18,989	95.0	45.08	108.00	1833	RG

Discount Category **22**



**NEMA IEEE841 143TC-449TC - TEFC  
C-Face Mount With Feet - Heavy Duty Cast Iron**

HP	RPM	Frame	Voltage	P/N	List	FL Eff.	C Dim. (IN)	FL Amps	LBS	Notes
150	3600	445TSC	460 V	MC2N150-9C	\$18,383	95.0	41.34	160.00	1833	RG
	3600	445TSC	575 V	MC2N150-5C	\$18,383	95.0	41.34	128.00	1833	RG
	1800	445TC	460 V	MC4N150-9C	\$20,056	95.8	45.08	162.50	1833	RG
	1800	445TC	575 V	MC4N150-5C	\$20,056	95.8	45.08	130.00	1833	RG
	1200	447TC	460 V	MC6N150-9C	\$27,147	95.8	55.71	166.00	2541	RG
	1200	447TC	575 V	MC6N150-5C	\$27,147	95.8	55.71	132.80	2541	RG
200	3600	447TSC	460 V	MC2N200-9C	\$24,530	95.4	50.79	213.50	2541	RG
	3600	447TSC	575 V	MC2N200-5C	\$24,530	95.4	50.79	170.80	2541	RG
	1800	447TC	460 V	MC4N200-9C	\$26,178	96.2	55.71	223.00	2543	RG
	1800	447TC	575 V	MC4N200-5C	\$26,178	96.2	55.71	178.40	2543	RG
250	1800	449TC	460 V	MC4N250-9C	\$28,795	96.2	55.71	284.00	2700	RG
	1800	449TC	575 V	MC4N250-5C	\$28,795	96.2	55.71	227.20	2700	RG
300	1800	449TC	460 V	MC4N300-9C	\$36,782	95.4	55.71	178.90	2700	RG
	1800	449TC	575 V	MC4N300-5C	\$36,782	95.4	55.71	143.12	2700	RG

**Discount Category 22**

General Single Phase

Farm Duty Single Phase

Fractional 56/56C

NEMA Aluminum

NEMA Cast Iron

NEMA IEEE841

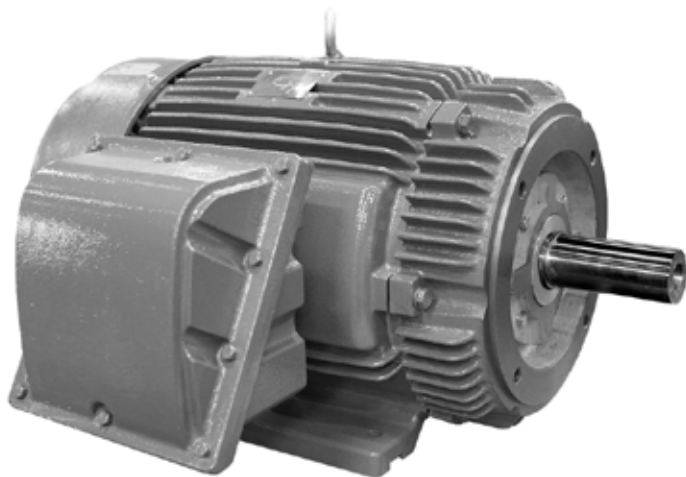
NEMA Explosion Proof

Close Coupled Pump Motor

NEMA 2 Speed Motor

NEMA Brake Motor

General Single Phase
Farm Duty Single Phase
Fractional 5/56C
NEMA Aluminum
NEMA Cast Iron
NEMA IEEE841
NEMA Explosion Proof
Close Coupled Pump Motor
NEMA 2 Speed Motor
NEMA Brake Motor



Premium Efficient Three Phase NEMA Explosion Proof Motors. Foot Mount or C-Face Mount, Totally Enclosed Fan Cooled.

Features Include:

- NEMA MG1 part 31 inverter duty UL & CSA certified 20:1 variable torque
- UL certified 5:1 constant torque
- CSA certified 10:1 constant torque
- UL/CSA approved Div I, Class I, Group C & D: 143T - 256T; Div I, Class I, Group D: 284T & above
- UL/CSA approved Div I, Class II Groups E, F & G. T3B temperature code
- Service factor 1.15 sine wave power
- IP55 degree of protection
- NEMA design B
- Class F insulation
- Dual rated 60/50 Hz
- Normally closed thermostats— One per phase
- Sealed ball bearings 140 - 280T
- Regreasable bearings 320T and above
- Warranty: 3 years

# Explosion Proof NEMA 143T-445T - TEFC Foot Mounted - Cast Iron



HP	RPM	Frame	Voltage	P/N	List	FL Eff.	C Dim. (IN)	FL Amps	LBS	Notes
1	1800	143T	230/460 V	PX4N001-2	\$682	85.5	12.55	1.60	62	TH
	1800	143T	575 V	PX4N001-5	\$682	85.5	12.55	1.20	62	TH
	1200	145T	230/460 V	PX6N001-2	\$757	82.5	13.54	1.70	70	TH
	1200	145T	575 V	PX6N001-5	\$757	82.5	13.54	1.30	70	TH
1.5	3600	143T	230/460 V	PX2N1.5-2	\$736	84	12.55	1.90	62	TH
	3600	143T	575 V	PX2N1.5-5	\$736	84	12.55	1.50	62	TH
	1800	145T	230/460 V	PX4N1.5-2	\$736	86.5	13.54	2.10	70	TH
	1800	145T	575 V	PX4N1.5-5	\$736	86.5	13.54	1.70	70	TH
	1200	182T	230/460 V	PX6N1.5-2	\$893	87.5	14.89	2.50	108	TH
	1200	182T	575 V	PX6N1.5-5	\$893	87.5	14.89	2.00	108	TH
2	3600	145T	230/460 V	PX2N002-2	\$786	85.5	13.54	2.50	70	TH
	3600	145T	575 V	PX2N002-5	\$786	85.5	13.54	2.00	70	TH
	1800	145T	230/460 V	PX4N002-2	\$794	86.5	13.54	2.70	70	TH
	1800	145T	575 V	PX4N002-5	\$794	86.5	13.54	2.20	70	TH
	1200	184T	230/460 V	PX6N002-2	\$1,029	88.5	15.91	3.00	120	TH
	1200	184T	575 V	PX6N002-5	\$1,029	88.5	15.91	2.40	120	TH
3	3600	182T	230/460 V	PX2N003-2	\$917	87.5	14.89	3.50	108	TH
	3600	182T	575 V	PX2N003-5	\$917	87.5	14.89	2.80	108	TH
	1800	182T	230/460 V	PX4N003-2	\$963	89.5	14.89	3.80	108	TH
	1800	182T	575 V	PX4N003-5	\$963	89.5	14.89	3.10	108	TH
	1200	213T	230/460 V	PX6N003-2	\$1,472	89.5	18.26	3.90	187	TH
	1200	213T	575 V	PX6N003-5	\$1,472	89.5	18.26	3.10	187	TH
5	3600	184T	230/460 V	PX2N005-2	\$1,142	88.5	15.91	5.80	120	TH
	3600	184T	575 V	PX2N005-5	\$1,142	88.5	15.91	4.60	120	TH
	1800	184T	230/460 V	PX4N005-2	\$1,142	89.5	15.91	6.20	120	TH
	1800	184T	575 V	PX4N005-5	\$1,142	89.5	15.91	4.90	120	TH
	1200	215T	230/460 V	PX6N005-2	\$1,716	90.2	19.76	6.40	211	TH
	1200	215T	575 V	PX6N005-5	\$1,716	90.2	19.76	5.10	211	TH
7.5	3600	213T	230/460 V	PX2N7.5-2	\$1,418	89.5	18.26	9.00	187	TH
	3600	213T	575 V	PX2N7.5-5	\$1,418	89.5	18.26	7.20	187	TH
	1800	213T	230/460 V	PX4N7.5-2	\$1,495	91.7	18.26	8.80	187	TH
	1800	213T	575 V	PX4N7.5-5	\$1,495	91.7	18.26	7.00	187	TH
	1200	254T	230/460 V	PX6N7.5-2	\$2,047	91	23.78	9.40	330	TH
	1200	254T	575 V	PX6N7.5-5	\$2,047	91	23.78	7.50	330	TH
10	3600	215T	230/460 V	PX2N010-2	\$1,674	90.2	19.76	11.90	211	TH
	3600	215T	575 V	PX2N010-5	\$1,674	90.2	19.76	9.50	211	TH
	1800	215T	230/460 V	PX4N010-2	\$1,716	91.7	19.76	11.70	211	TH
	1800	215T	575 V	PX4N010-5	\$1,716	91.7	19.76	9.30	211	TH
	1200	256T	230/460 V	PX6N010-2	\$2,452	91	25.52	12.60	376	TH
	1200	256T	575 V	PX6N010-5	\$2,452	91	25.52	10.10	376	TH
15	3600	254T	230/460 V	PX2N015-2	\$2,188	91	23.78	16.80	330	TH
	3600	254T	575 V	PX2N015-5	\$2,188	91	23.78	13.40	330	TH
	1800	254T	230/460 V	PX4N015-2	\$2,188	92.4	23.78	17.90	330	TH
	1800	254T	575 V	PX4N015-5	\$2,188	92.4	23.78	14.30	330	TH
	1200	284T	230/460 V	PX6N015-2	\$3,101	91.7	26.80	18.50	488	TH
	1200	284T	575 V	PX6N015-5	\$3,101	91.7	26.80	14.70	488	TH
20	3600	256T	230/460 V	PX2N020-2	\$2,528	91	25.52	22.40	376	TH
	3600	256T	575 V	PX2N020-5	\$2,528	91	25.52	17.80	376	TH
	1800	256T	230/460 V	PX4N020-2	\$2,579	93	25.52	23.60	376	TH
	1800	256T	575 V	PX4N020-5	\$2,579	93	25.52	18.80	376	TH
	1200	286T	230/460 V	PX6N020-2	\$3,721	91.7	28.30	24.30	530	TH
	1200	286T	575 V	PX6N020-5	\$3,721	91.7	28.30	19.40	530	TH

Discount Category **20**

General  
Single Phase

Farm Duty  
Single Phase

Fractional  
56/56C

NEMA  
Aluminum

NEMA  
Cast Iron

NEMA IEEF841

NEMA  
Explosion Proof

Close Coupled  
Pump Motor

NEMA  
2 Speed Motor

NEMA  
Brake Motor

General Single Phase
Farm Duty Single Phase
Fractional 56/56C
NEMA Aluminum
NEMA Cast Iron
NEMA IEEE841
NEMA Explosion Proof
Close Coupled Pump Motor
NEMA 2 Speed Motor
NEMA Brake Motor

HP	RPM	Frame	Voltage	P/N	List	FL Eff.	C Dim. (IN)	FL Amps	LBS	Notes
25	3600	284TS	230/460 V	PX2N025-2	\$3,175	91.7	25.43	27.70	488	TH
	3600	284TS	575 V	PX2N025-5	\$3,175	91.7	25.43	22.20	488	TH
	1800	284T	230/460 V	PX4N025-2	\$3,201	93.6	26.93	29.40	488	TH
	1800	284T	575 V	PX4N025-5	\$3,201	93.6	26.93	23.50	488	TH
	1200	324T	230/460 V	PX6N025-2	\$4,949	93	29.93	30.30	708	TH, RG
	1200	324T	575 V	PX6N025-5	\$4,949	93	29.93	24.20	708	TH, RG
30	3600	286TS	230/460 V	PX2N030-2	\$3,661	92.4	26.93	33.00	530	TH
	3600	286TS	575 V	PX2N030-5	\$3,661	92.4	26.93	26.40	530	TH
	1800	286T	230/460 V	PX4N030-2	\$3,717	93.6	28.30	35.10	488	TH
	1800	286T	575 V	PX4N030-5	\$3,717	93.6	28.30	28.00	488	TH
	1200	326T	230/460 V	PX6N030-2	\$5,844	93	31.42	36.40	781	TH, RG
	1200	326T	575 V	PX6N030-5	\$5,844	93	31.42	29.10	781	TH, RG
40	3600	324TS	230/460 V	PX2N040-2	\$4,931	93	28.43	44.30	708	TH, RG
	3600	324TS	575 V	PX2N040-5	\$4,931	93	28.43	35.40	708	TH, RG
	1800	324T	230/460 V	PX4N040-2	\$4,953	94.1	29.93	46.60	708	TH, RG
	1800	324T	575 V	PX4N040-5	\$4,953	94.1	29.93	37.20	708	TH, RG
	1200	364T	230/460 V	PX6N040-2	\$7,659	94.1	32.57	46.30	946	TH, RG
	1200	364T	575 V	PX6N040-5	\$7,659	94.1	32.57	37.00	946	TH, RG
50	3600	326TS	230/460 V	PX2N050-2	\$6,044	93.6	29.92	55.00	781	TH, RG
	3600	326TS	575 V	PX2N050-5	\$6,044	93.6	29.92	43.90	781	TH, RG
	1800	326T	230/460 V	PX4N050-2	\$5,861	64.5	31.42	57.90	781	TH, RG
	1800	326T	575 V	PX4N050-5	\$5,861	64.5	31.42	46.30	781	TH, RG
	1200	365T	230/460 V	PX6N050-2	\$9,181	94.1	33.55	59.60	1019	TH, RG
	1200	365T	575 V	PX6N050-5	\$9,181	94.1	33.55	47.60	1019	TH, RG
60	3600	364TS	230/460 V	PX2N060-2	\$7,540	93.6	30.44	64.50	946	TH, RG
	3600	364TS	575 V	PX2N060-5	\$7,540	93.6	30.44	51.60	946	TH, RG
	1800	364T	230/460 V	PX4N060-2	\$7,647	95	32.57	67.20	946	TH, RG
	1800	364T	575 V	PX4N060-5	\$7,647	95	32.57	53.70	946	TH, RG
	1200	404T	230/460 V	PX6N060-2	\$10,643	94.5	36.50	69.10	1408	TH, RG
	1200	404T	575 V	PX6N060-5	\$10,643	94.5	36.50	55.30	1408	TH, RG
75	3600	365TS	230/460 V	PX2N075-2	\$9,829	93.6	31.42	80.70	1019	TH, RG
	3600	365TS	575 V	PX2N075-5	\$9,829	93.6	31.42	64.50	1019	TH, RG
	1800	365T	230/460 V	PX4N075-2	\$9,164	95.4	33.55	83.60	1019	TH, RG
	1800	365T	575 V	PX4N075-5	\$9,164	95.4	33.55	66.90	1019	TH, RG
	1200	405T	230/460 V	PX6N075-2	\$11,350	94.5	37.99	85.90	1408	TH, RG
	1200	405T	575 V	PX6N075-5	\$11,350	94.5	37.99	68.70	1408	TH, RG
100	3600	405TS	230/460 V	PX2N100-2	\$12,795	94.5	34.99	108.00	1408	TH, RG
	3600	405TS	575 V	PX2N100-5	\$12,795	94.5	34.99	86.10	1408	TH, RG
	1800	405T	230/460 V	PX4N100-2	\$11,350	95.4	37.99	109.00	1408	TH, RG
	1800	405T	575 V	PX4N100-5	\$11,350	95.4	37.99	87.20	1408	TH, RG
	1200	444T	230/460 V	PX6N100-2	\$15,059	95	44.40	118.00	1650	TH, RG
	1200	444T	575 V	PX6N100-5	\$15,059	95	44.40	94.40	1650	TH, RG
125	3600	444TS	460 V	PX2N125-9	\$16,227	95	40.65	137.00	1650	TH, RG
	3600	444TS	575 V	PX2N125-5	\$16,227	95	40.65	109.00	1650	TH, RG
	1800	444T	460 V	PX4N125-9	\$15,063	95.4	44.40	139.00	1650	TH, RG
	1800	444T	575 V	PX4N125-5	\$15,063	95.4	44.40	111.00	1650	TH, RG
	1200	445T	460 V	PX6N125-9	\$19,129	95	46.40	184.00	1720	TH, RG
	1200	445T	575 V	PX6N125-5	\$19,129	95	46.40	147.00	1720	TH, RG
150	3600	445TS	460 V	PX2N150-9	\$18,822	95	42.65	164.00	1720	TH, RG
	3600	445TS	575 V	PX2N150-5	\$18,822	95	42.65	131.40	1720	TH, RG
	1800	445T	460 V	PX4N150-9	\$19,029	95.8	46.40	165.00	1720	TH, RG
	1800	445T	575 V	PX4N150-5	\$19,029	95.8	46.40	131.70	1720	TH, RG

Discount Category **20**

# Explosion Proof NEMA 143TC-445TC - TEFC C-Face Mount With Feet - Cast Iron

HP	RPM	Frame	Voltage	P/N	List	FL Eff.	C Dim. (IN)	FL Amps	LBS	Notes
1	1800	143TC	230/460 V	PX4N001-2C	\$862	85.5	12.55	1.60	77	TH
	1800	143TC	575 V	PX4N001-5C	\$862	85.5	12.55	1.20	77	TH
	1200	145TC	230/460 V	PX6N001-2C	\$934	82.5	13.54	1.70	85	TH
	1200	145TC	575 V	PX6N001-5C	\$934	82.5	13.54	1.30	85	TH
1.5	3600	143TC	230/460 V	PX2N1.5-2C	\$913	84	12.55	1.90	77	TH
	3600	143TC	575 V	PX2N1.5-5C	\$913	84	12.55	1.50	77	TH
	1800	145TC	230/460 V	PX4N1.5-2C	\$913	86.5	13.54	2.10	85	TH
	1800	145TC	575 V	PX4N1.5-5C	\$913	86.5	13.54	1.70	85	TH
	1200	182TC	230/460 V	PX6N1.5-2C	\$1,177	87.5	14.89	2.50	133	TH
	1200	182TC	575 V	PX6N1.5-5C	\$1,177	87.5	14.89	2.00	133	TH
2	3600	145TC	230/460 V	PX2N002-2C	\$964	85.5	13.54	2.50	85	TH
	3600	145TC	575 V	PX2N002-5C	\$964	85.5	13.54	2.00	85	TH
	1800	145TC	230/460 V	PX4N002-2C	\$973	86.5	13.54	2.70	85	TH
	1800	145TC	575 V	PX4N002-5C	\$973	86.5	13.54	2.20	85	TH
	1200	184TC	230/460 V	PX6N002-2C	\$1,313	88.5	15.91	3.00	145	TH
	1200	184TC	575 V	PX6N002-5C	\$1,313	88.5	15.91	2.40	145	TH
3	3600	182TC	230/460 V	PX2N003-2C	\$1,202	87.5	14.89	3.50	133	TH
	3600	182TC	575 V	PX2N003-5C	\$1,202	87.5	14.89	2.80	133	TH
	1800	182TC	230/460 V	PX4N003-2C	\$1,249	89.5	14.89	3.80	133	TH
	1800	182TC	575 V	PX4N003-5C	\$1,249	89.5	14.89	3.10	133	TH
	1200	213TC	230/460 V	PX6N003-2C	\$1,797	89.5	18.26	3.90	222	TH
	1200	213TC	575 V	PX6N003-5C	\$1,797	89.5	18.26	3.10	222	TH
5	3600	184TC	230/460 V	PX2N005-2C	\$1,427	88.5	15.91	5.80	145	TH
	3600	184TC	575 V	PX2N005-5C	\$1,427	88.5	15.91	4.60	145	TH
	1800	184TC	230/460 V	PX4N005-2C	\$1,427	89.5	15.91	6.20	145	TH
	1800	184TC	575 V	PX4N005-5C	\$1,427	89.5	15.91	4.90	145	TH
	1200	215TC	230/460 V	PX6N005-2C	\$2,039	90.2	19.76	6.40	246	TH
	1200	215TC	575 V	PX6N005-5C	\$2,039	90.2	19.76	5.10	246	TH
7.5	3600	213TC	230/460 V	PX2N7.5-2C	\$1,742	89.5	18.26	9.00	222	TH
	3600	213TC	575 V	PX2N7.5-5C	\$1,742	89.5	18.26	7.20	222	TH
	1800	213TC	230/460 V	PX4N7.5-2C	\$1,818	91.7	18.26	8.80	222	TH
	1800	213TC	575 V	PX4N7.5-5C	\$1,818	91.7	18.26	7.00	222	TH
	1200	254TC	230/460 V	PX6N7.5-2C	\$2,489	91	23.78	9.40	365	TH
	1200	254TC	575 V	PX6N7.5-5C	\$2,489	91	23.78	7.50	365	TH
10	3600	215TC	230/460 V	PX2N010-2C	\$1,996	90.2	19.76	11.90	246	TH
	3600	215TC	575 V	PX2N010-5C	\$1,996	90.2	19.76	9.50	246	TH
	1800	215TC	230/460 V	PX4N010-2C	\$2,039	91.7	19.76	11.70	246	TH
	1800	215TC	575 V	PX4N010-5C	\$2,039	91.7	19.76	9.30	246	TH
	1200	256TC	230/460 V	PX6N010-2C	\$2,893	91	25.52	12.60	411	TH
	1200	256TC	575 V	PX6N010-5C	\$2,893	91	25.52	10.10	411	TH
15	3600	254TC	230/460 V	PX2N015-2C	\$2,629	91	23.78	16.80	365	TH
	3600	254TC	575 V	PX2N015-5C	\$2,629	91	23.78	13.40	365	TH
	1800	254TC	230/460 V	PX4N015-2C	\$2,629	92.4	23.78	17.90	365	TH
	1800	254TC	575 V	PX4N015-5C	\$2,629	92.4	23.78	14.30	365	TH
	1200	284TC	230/460 V	PX6N015-2C	\$3,857	91.7	26.80	18.50	525	TH
	1200	284TC	575 V	PX6N015-5C	\$3,857	91.7	26.80	14.70	525	TH
20	3600	256TC	230/460 V	PX2N020-2C	\$2,969	91	25.52	22.40	411	TH
	3600	256TC	575 V	PX2N020-5C	\$2,969	91	25.52	17.80	411	TH
	1800	256TC	230/460 V	PX4N020-2C	\$3,020	93	25.52	23.60	411	TH
	1800	256TC	575 V	PX4N020-5C	\$3,020	93	25.52	18.80	411	TH
	1200	286TC	230/460 V	PX6N020-2C	\$4,477	91.7	28.30	24.30	565	TH
	1200	286TC	575 V	PX6N020-5C	\$4,477	91.7	28.30	19.40	565	TH

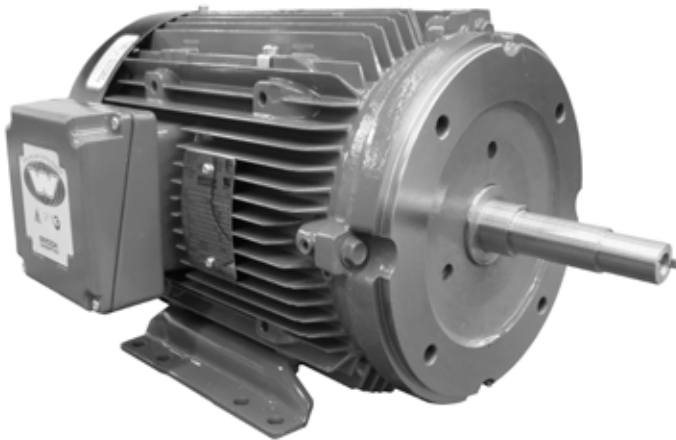
Discount Category **20**

General Single Phase  
Farm Duty Single Phase  
Fractional 56/56C  
NEMA Aluminum  
NEMA Cast Iron  
NEMA IEEE841  
NEMA Explosion Proof  
Close Coupled Pump Motor  
NEMA 2 Speed Motor  
NEMA Brake Motor

General Single Phase
Farm Duty Single Phase
Fractional 5/56C
NEMA Aluminum
NEMA Cast Iron
NEMA IEEE841
NEMA Explosion Proof
Close Coupled Pump Motor
NEMA 2 Speed Motor
NEMA Brake Motor

HP	RPM	Frame	Voltage	P/N	List	FL Eff.	C Dim. (IN)	FL Amps	LBS	Notes
25	3600	284TSC	230/460 V	PX2N025-2C	\$3,933	91.7	25.43	27.70	525	TH
	3600	284TSC	575 V	PX2N025-5C	\$3,933	91.7	25.43	22.20	525	TH
	1800	284TC	230/460 V	PX4N025-2C	\$3,959	93.6	26.93	29.40	525	TH
	1800	284TC	575 V	PX4N025-5C	\$3,959	93.6	26.93	23.50	525	TH
	1200	324TC	230/460 V	PX6N025-2C	\$5,739	93	29.93	30.30	750	TH, RG
	1200	324TC	575 V	PX6N025-5C	\$5,739	93	29.93	24.20	750	TH, RG
30	3600	286TSC	230/460 V	PX2N030-2C	\$4,418	92.4	26.93	33.00	565	TH
	3600	286TSC	575 V	PX2N030-5C	\$4,418	92.4	26.93	26.40	565	TH
	1800	286TC	230/460 V	PX4N030-2C	\$4,473	93.6	28.30	35.10	565	TH
	1800	286TC	575 V	PX4N030-5C	\$4,473	93.6	28.30	28.00	565	TH
	1200	326TC	230/460 V	PX6N030-2C	\$6,635	93	31.42	36.40	823	TH, RG
	1200	326TC	575 V	PX6N030-5C	\$6,635	93	31.42	29.10	823	TH, RG
40	3600	324TSC	230/460 V	PX2N040-2C	\$5,722	93	28.43	44.30	750	TH, RG
	3600	324TSC	575 V	PX2N040-5C	\$5,722	93	28.43	35.40	750	TH, RG
	1800	324TC	230/460 V	PX4N040-2C	\$5,743	94.1	29.93	46.60	750	TH, RG
	1800	324TC	575 V	PX4N040-5C	\$5,743	94.1	29.93	37.20	750	TH, RG
	1200	364TC	230/460 V	PX6N040-2C	\$8,572	94.1	32.57	46.30	995	TH, RG
	1200	364TC	575 V	PX6N040-5C	\$8,572	94.1	32.57	37.00	995	TH, RG
50	3600	326TSC	230/460 V	PX2N050-2C	\$6,834	93.6	29.92	55.00	823	TH, RG
	3600	326TSC	575 V	PX2N050-5C	\$6,834	93.6	29.92	43.90	823	TH, RG
	1800	326TC	230/460 V	PX4N050-2C	\$6,652	64.5	31.42	57.90	823	TH, RG
	1800	326TC	575 V	PX4N050-5C	\$6,652	64.5	31.42	46.30	823	TH, RG
	1200	365TC	230/460 V	PX6N050-2C	\$10,092	94.1	33.55	59.60	1074	TH, RG
	1200	365TC	575 V	PX6N050-5C	\$10,092	94.1	33.55	47.60	1074	TH, RG
60	3600	364TSC	230/460 V	PX2N060-2C	\$8,453	93.6	30.44	64.50	995	TH, RG
	3600	364TSC	575 V	PX2N060-5C	\$8,453	93.6	30.44	51.60	995	TH, RG
	1800	364TC	230/460 V	PX4N060-2C	\$8,559	95	32.57	67.20	995	TH, RG
	1800	364TC	575 V	PX4N060-5C	\$8,559	95	32.57	53.70	995	TH, RG
	1200	404TC	230/460 V	PX6N060-2C	\$12,535	94.5	36.50	69.10	1465	TH, RG
	1200	404TC	575 V	PX6N060-5C	\$12,535	94.5	36.50	55.30	1465	TH, RG
75	3600	365TSC	230/460 V	PX2N075-2C	\$10,742	93.6	31.42	80.70	1074	TH, RG
	3600	365TSC	575 V	PX2N075-5C	\$10,742	93.6	31.42	64.50	1074	TH, RG
	1800	365TC	230/460 V	PX4N075-2C	\$10,075	95.4	33.55	83.60	1074	TH, RG
	1800	365TC	575 V	PX4N075-5C	\$10,075	95.4	33.55	66.90	1074	TH, RG
	1200	405TC	230/460 V	PX6N075-2C	\$13,240	94.5	37.99	85.90	1465	TH, RG
	1200	405TC	575 V	PX6N075-5C	\$13,240	94.5	37.99	68.70	1465	TH, RG
100	3600	405TSC	230/460 V	PX2N100-2C	\$14,684	94.5	34.99	108.00	1465	TH, RG
	3600	405TSC	575 V	PX2N100-5C	\$14,684	94.5	34.99	86.10	1465	TH, RG
	1800	405TC	230/460 V	PX4N100-2C	\$13,240	95.4	37.99	109.00	1465	TH, RG
	1800	405TC	575 V	PX4N100-5C	\$13,240	95.4	37.99	87.20	1465	TH, RG
	1200	444TC	230/460 V	PX6N100-2C	\$17,602	95	44.40	118.00	1705	TH, RG
	1200	444TC	575 V	PX6N100-5C	\$17,602	95	44.40	94.40	1705	TH, RG
125	3600	444TSC	460 V	PX2N125-9C	\$18,770	95	40.65	137.00	1705	TH, RG
	3600	444TSC	575 V	PX2N125-5C	\$18,770	95	40.65	109.00	1705	TH, RG
	1800	444TC	460 V	PX4N125-9C	\$17,606	95.4	44.40	139.00	1705	TH, RG
	1800	444TC	575 V	PX4N125-5C	\$17,606	95.4	44.40	111.00	1705	TH, RG
	1200	445TC	460 V	PX6N125-9C	\$21,672	95	46.40	184.00	1775	TH, RG
	1200	445TC	575 V	PX6N125-5C	\$21,672	95	46.40	147.00	1775	TH, RG
150	3600	445TSC	460 V	PX2N150-9C	\$21,196	95	42.65	164.00	1775	TH, RG
	3600	445TSC	575 V	PX2N150-5C	\$21,196	95	42.65	131.40	1775	TH, RG
	1800	445TC	460 V	PX4N150-9C	\$21,404	95.8	46.40	165.00	1775	TH, RG
	1800	445TC	575 V	PX4N150-5C	\$21,404	95.8	46.40	131.70	1775	TH, RG

Discount Category **20**



Premium Efficient Three Phase NEMA JM/JP Close Coupled Pump Motors. Features Include:

- NEMA MG1-Part 31 inverter duty 5:1 constant torque, 10:1 variable torque
- Aluminum construction from 1 HP to 30 HP
- Cast iron construction from 40 HP to 75 HP
- 1.25 service factor at 60Hz, 1.0 service factor at 50Hz
- Class F insulation with class B temperature rise
- IP55 degree of protection for washdown duty enclosure
- Full contact shaft seals inside both brackets for increased protection against contaminants
- Dual rated 60/50Hz at same HP
- Split conduit box is 90 degree rotatable
- CSA approved for Class I; Division 2; Groups A, B, C & D, Zone 2; Groups IIA & IIB T3 with VFD
- Internal tropicproof
- 3 year warranty

General Single Phase
Farm Duty Single Phase
Fractional 56/56C
NEMA Aluminum
NEMA Cast Iron
NEMA IEE841
NEMA Explosion Proof
Close Coupled Pump Motor
NEMA 2 Speed Motor
NEMA Brake Motor

- General Single Phase
- Farm Duty Single Phase
- Fractional 5/56C
- NEMA Aluminum
- NEMA Cast Iron
- NEMA IEEE841
- NEMA Explosion Proof
- Close Coupled Pump Motor
- NEMA 2 Speed Motor
- NEMA Brake Motor

HP	RPM	Frame	Voltage	P/N	List	FL Eff.	C Dim. (IN)	FL Amps	LBS	Notes
<b>Aluminum Frames</b>										
1	1800	143JM	230/460 V	BA4N001V4JM	\$490	85.5	14.18	1.43	44	RF, V
	1800	143JM	575 V	BA4N001V5JM	\$490	85.5	14.18	1.14	44	RF, V
	1200	145JM	230/460 V	BA6N001V4JM	\$605	82.5	16.20	1.61	46	RF, V, PA
	1200	145JM	575 V	BA6N001V5JM	\$605	82.5	16.20	1.29	46	RF, V, PA
1.5	3600	143JM	230/460 V	BA2N1.5V4JM	\$515	84	14.18	1.89	44	RF, V
	3600	143JM	575 V	BA2N1.5V5JM	\$515	84	14.18	1.51	44	RF, V
	1800	145JM	230/460 V	BA4N1.5V4JM	\$530	86.5	14.18	2.05	62	RF, V
	1800	145JM	575 V	BA4N1.5V5JM	\$530	86.5	14.18	1.64	62	RF, V
	1200	182JM	230/460 V	BA6N1.5V4JM	\$884	87.5	17.30	2.22	70	RF, V, PA
	1200	182JM	575 V	BA6N1.5V5JM	\$884	87.5	17.30	1.78	70	RF, V, PA
2	3600	145JM	230/460 V	BA2N002V4JM	\$565	85.5	14.18	2.47	62	RF, V
	3600	145JM	575 V	BA2N002V5JM	\$565	85.5	14.18	1.98	62	RF, V
	1800	145JM	230/460 V	BA4N002V4JM	\$566	86.5	14.18	2.65	70	RF, V
	1800	145JM	575 V	BA4N002V5JM	\$566	86.5	14.18	2.12	70	RF, V
	1200	184JM	230/460 V	BA6N002V4JM	\$996	88.5	18.30	3.08	76	RF, V, PA
	1200	184JM	575 V	BA6N002V5JM	\$996	88.5	18.30	2.47	76	RF, V, PA
3	3600	182JM	230/460 V	BA2N003V4JM	\$750	86.5	15.43	3.55	80	RF, V
	3600	182JM	575 V	BA2N003V5JM	\$750	86.5	15.43	2.84	80	RF, V
	1800	182JM	230/460 V	BA4N003V4JM	\$760	89.5	15.43	3.91	92	RF, V
	1800	182JM	575 V	BA4N003V5JM	\$760	89.5	15.43	3.12	92	RF, V
	1200	213JM	230/460 V	BA6N003V4JM	\$1,256	89.5	19.90	4.36	120	RF, V, PA
	1200	213JM	575 V	BA6N003V5JM	\$1,256	89.5	19.90	3.48	120	RF, V, PA
5	3600	184JM	230/460 V	BA2N005V4JM	\$820	88.5	16.27	5.77	92	RF, V
	3600	184JM	575 V	BA2N005V5JM	\$820	88.5	16.27	4.61	92	RF, V
	1800	184JM	230/460 V	BA4N005V4JM	\$788	89.5	16.27	7.00	105	RF, V
	1800	184JM	575 V	BA4N005V5JM	\$788	89.5	16.27	5.60	105	RF, V
	1200	215JM	230/460 V	BA6N005V4JM	\$1,550	89.5	21.40	6.92	139	RF, V, PA
	1200	215JM	575 V	BA6N005V5JM	\$1,550	89.5	21.40	5.53	139	RF, V, PA
7.5	3600	213JM	230/460 V	BA2N7.5V4JM	\$1,070	89.5	19.30	8.57	140	RF, V
	3600	213JM	575 V	BA2N7.5V5JM	\$1,070	89.5	19.30	6.86	140	RF, V
	1800	213JM	230/460 V	BA4N7.5V4JM	\$1,130	91.7	19.30	8.96	153	RF, V
	1800	213JM	575 V	BA4N7.5V5JM	\$1,130	91.7	19.30	7.17	153	RF, V
	1200	254JM	230/460 V	BA6N7.5V4JM	\$2,049	91	23.44	9.48	160	RF, V, TM
	1200	254JM	575 V	BA6N7.5V5JM	\$2,049	91	23.44	7.59	160	RF, V, TM
10	3600	215JM	230/460 V	BA2N010V4JM	\$1,330	90.2	19.30	11.50	153	RF, V
	3600	215JM	575 V	BA2N010V5JM	\$1,330	90.2	19.30	9.17	153	RF, V
	1800	215JM	230/460 V	BA4N010V4JM	\$1,350	91.7	19.30	12.20	163	RF, V
	1800	215JM	575 V	BA4N010V5JM	\$1,350	91.7	19.30	9.78	163	RF, V
15	3600	254JM	230/460 V	BA2N015V4JM	\$1,970	91	23.44	16.70	258	RF, V, TM
	3600	254JM	575 V	BA2N015V5JM	\$1,970	91	23.44	13.30	258	RF, V, TM
	3600	215JM	230/460 V	PA2N015-4SJM	\$1,970	91	21.40	16.50	163	RF
	3600	215JM	575 V	PA2N015-5SJM	\$1,970	91	21.40	13.20	163	RF
	1800	254JM	230/460 V	BA4N015V4JM	\$1,980	92.4	23.44	17.60	268	RF, V, TM
	1800	254JM	575 V	BA4N015V5JM	\$1,980	92.4	23.44	14.10	268	RF, V, TM

Discount Category **56**

Note: Also available in 208/416V / 3 Phase / 60Hz



# NEMA Close Coupled Pump Motor 143JM-365JM - TEFC C-Face With Removable Feet

HP	RPM	Frame	Voltage	P/N	List	FL Eff.	C Dim. (IN)	FL Amps	LBS	Notes
20	3600	256JM	230/460 V	BA2N020V4JM	\$2,250	91	23.44	22.50	268	RF, V, TM
	3600	256JM	575 V	BA2N020V5JM	\$2,250	91	23.44	18.00	268	RF, V, TM
	1800	256JM	230/460 V	BA4N020V4JM	\$2,260	93	23.44	23.50	286	RF, V, TM
	1800	256JM	575 V	BA4N020V5JM	\$2,260	93	23.44	26.00	286	RF, V, TM
25	3600	284JM	230/460 V	BA2N025V4JM	\$2,550	91.7	24.97	28.50	330	RF, V, TM
	3600	284JM	575 V	BA2N025V5JM	\$2,550	91.7	24.97	22.80	330	RF, V, TM
	1800	284JM	230/460 V	BA4N025V4JM	\$2,730	93.6	26.34	28.50	362	RF, V, TM
	1800	284JM	575 V	BA4N025V5JM	\$2,730	93.6	26.34	22.80	362	RF, V, TM
30	3600	286JM	230/460 V	BA2N030V4JM	\$3,200	91.7	24.97	33.50	368	RF, V, TM
	3600	286JM	575 V	BA2N030V5JM	\$3,200	91.7	24.97	26.80	368	RF, V, TM
	1800	286JM	230/460 V	BA4N030V4JM	\$3,220	93.6	26.34	34.30	380	RF, V, TM
	1800	286JM	575 V	BA4N030V5JM	\$3,220	93.6	26.34	27.40	380	RF, V, TM

HP	RPM	Frame	Voltage	P/N	List	FL Eff.	C Dim. (IN)	FL Amps	LBS	Notes
<b>Cast Iron Frames</b>										
40	3600	324JM	230/460 V	BC2N040-4JM	\$3,800	93	31.25	46.00	637	RF, V, TM, RG
	3600	324JM	575 V	BC2N040-5JM	\$3,800	93	31.25	36.80	637	RF, V, TM, RG
	1800	324JM	230/460 V	BC4N040-4JM	\$3,830	94.1	32.75	45.00	647	RF, V, TM, RG
	1800	324JM	575 V	BC4N040-5JM	\$3,830	94.1	32.75	36.00	647	RF, V, TM, RG
50	3600	326JM	230/460 V	BC2N050-4JM	\$4,400	93.6	32.75	57.00	755	RF, V, TM, RG
	3600	326JM	575 V	BC2N050-5JM	\$4,400	93.6	32.75	45.60	755	RF, V, TM, RG
	1800	326JM	230/460 V	BC4N050-4JM	\$4,500	94.5	34.25	58.00	765	RF, V, TM, RG
	1800	326JM	575 V	BC4N050-5JM	\$4,500	94.5	34.25	46.40	765	RF, V, TM, RG
60	3600	364JM	230/460 V	BC2N060-4JM	\$6,240	93.6	34.25	66.00	918	RF, V, TM, RG
	3600	364JM	575 V	BC2N060-5JM	\$6,240	93.6	34.25	52.80	918	RF, V, TM, RG
	1800	364JM	230/460 V	BC4N060-4JM	\$6,200	95	36.38	68.00	928	RF, V, TM, RG
	1800	364JM	575 V	BC4N060-5JM	\$6,200	95	36.38	54.40	928	RF, V, TM, RG
75	3600	365JM	230/460 V	BC2N075-4JM	\$7,400	93.6	34.25	79.30	1065	RF, V, TM, RG
	3600	365JM	575 V	BC2N075-5JM	\$7,400	93.6	34.25	63.40	1065	RF, V, TM, RG
	1800	365JM	230/460 V	BC4N075-4JM	\$7,600	95.4	38.5	81.30	1086	RF, V, TM, RG
	1800	365JM	575 V	BC4N075-5JM	\$7,600	95.4	38.5	65.00	1086	RF, V, TM, RG

Discount Category **56**

Note: Also available in 208/416V / 3 Phase / 60Hz

General  
Single Phase

Farm Duty  
Single Phase

Fractional  
56/56C

NEMA  
Aluminum

NEMA  
Cast Iron

NEMA IEE841

NEMA  
Explosion Proof

Close Coupled  
Pump Motor

NEMA  
2 Speed Motor

NEMA  
Brake Motor

**NEMA Close Coupled Pump Motor 143JP-365JP - TEFC  
C-Face With Removable Feet**

- General Single Phase
- Farm Duty Single Phase
- Fractional 5/56C
- NEMA Aluminum
- NEMA Cast Iron
- NEMA IEEE841
- NEMA Explosion Proof
- Close Coupled Pump Motor
- NEMA 2 Speed Motor
- NEMA Brake Motor

HP	RPM	Frame	Voltage	P/N	List	FL Eff.	C Dim. (IN)	FL Amps	LBS	Notes
<b>Aluminum Frames</b>										
1	1800	143JP	230/460 V	BA4N001V4JP	\$490	85.5	14.18	1.43	46	RF, V
	1800	143JP	575 V	BA4N001V5JP	\$490	85.5	14.18	1.14	46	RF, V
	1200	145JP	230/460 V	BA6N001V4JP	\$605	82.5	19.30	1.61	49	RF, V, PA
	1200	145JP	575 V	BA6N001V5JP	\$605	82.5	19.30	1.29	49	RF, V, PA
1.5	3600	143JP	230/460 V	BA2N1.5V4JP	\$515	84	14.18	1.89	46	RF, V
	3600	143JP	575 V	BA2N1.5V5JP	\$515	84	14.18	1.51	46	RF, V
	1800	145JP	230/460 V	BA4N1.5V4JP	\$530	86.5	14.18	2.05	66	RF, V
	1800	145JP	575 V	BA4N1.5V5JP	\$530	86.5	14.18	1.64	66	RF, V
	1200	182JP	230/460 V	BA6N1.5V4JP	\$884	87.5	20.40	2.22	74	RF, V, PA
	1200	182JP	575 V	BA6N1.5V5JP	\$884	87.5	20.40	1.78	74	RF, V, PA
2	3600	145JP	230/460 V	BA2N002V4JP	\$565	85.5	14.18	2.47	66	RF, V
	3600	145JP	575 V	BA2N002V5JP	\$565	85.5	14.18	1.98	66	RF, V
	1800	145JP	230/460 V	BA4N002V4JP	\$566	86.5	14.18	2.65	74	RF, V
	1800	145JP	575 V	BA4N002V5JP	\$566	86.5	14.18	2.12	74	RF, V
	1200	184JP	230/460 V	BA6N002V4JP	\$996	88.5	21.40	3.08	80	RF, V, PA
	1200	184JP	575 V	BA6N002V5JP	\$996	88.5	21.40	2.47	80	RF, V, PA
3	3600	182JP	230/460 V	BA2N003V4JP	\$750	86.5	15.43	3.55	85	RF, V
	3600	182JP	575 V	BA2N003V5JP	\$750	86.5	15.43	2.84	85	RF, V
	1800	182JP	230/460 V	BA4N003V4JP	\$760	89.5	15.43	3.91	96	RF, V
	1800	182JP	575 V	BA4N003V5JP	\$760	89.5	15.43	3.12	96	RF, V
	1200	213JP	230/460 V	BA6N003V4JP	\$1,256	89.5	23.80	4.36	125	RF, V, PA
	1200	213JP	575 V	BA6N003V5JP	\$1,256	89.5	23.80	3.48	125	RF, V, PA
5	3600	184JP	230/460 V	BA2N005V4JP	\$820	88.5	16.27	5.77	96	RF, V
	3600	184JP	575 V	BA2N005V5JP	\$820	88.5	16.27	4.61	96	RF, V
	1800	184JP	230/460 V	BA4N005V4JP	\$788	89.5	16.27	7.00	110	RF, V
	1800	184JP	575 V	BA4N005V5JP	\$788	89.5	16.27	5.60	110	RF, V
	1200	215JP	230/460 V	BA6N005V4JP	\$1,550	89.5	25.30	6.92	145	RF, V, PA
	1200	215JP	575 V	BA6N005V5JP	\$1,550	89.5	25.30	5.53	145	RF, V, PA
7.5	3600	213JP	230/460 V	BA2N7.5V4JP	\$1,070	89.5	19.3	8.57	145	RF, V
	3600	213JP	575 V	BA2N7.5V5JP	\$1,070	89.5	19.3	6.86	145	RF, V
	1800	213JP	230/460 V	BA4N7.5V4JP	\$1,130	91.7	19.3	8.96	160	RF, V
	1800	213JP	575 V	BA4N7.5V5JP	\$1,130	91.7	19.3	7.17	160	RF, V
	1200	254JP	230/460 V	BA6N7.5V4JP	\$2,049	91	27.85	9.48	165	RF, V, TM
	1200	254JP	575 V	BA6N7.5V5JP	\$2,049	91	27.85	7.59	165	RF, V, TM
10	3600	215JP	230/460 V	BA2N010V4JP	\$1,330	90.2	19.3	11.50	160	RF, V
	3600	215JP	575 V	BA2N010V5JP	\$1,330	90.2	19.3	9.17	160	RF, V
	1800	215JP	230/460 V	BA4N010V4JP	\$1,350	91.7	19.3	12.20	170	RF, V
	1800	215JP	575 V	BA4N010V5JP	\$1,350	91.7	19.3	9.78	170	RF, V
15	3600	254JP	230/460 V	BA2N015V4JP	\$1,970	91	23.44	16.70	265	RF, V, TM
	3600	254JP	575 V	BA2N015V5JP	\$1,970	91	23.44	13.30	265	RF, V, TM
	3600	215JP	230/460 V	PA2N015-4SJP	\$1,970	91	25.30	16.50	163	RF
	3600	215JP	575 V	PA2N015-5SJP	\$1,970	91	25.30	13.20	163	RF
	1800	254JP	230/460 V	BA4N015V4JP	\$1,980	92.4	23.44	17.60	274	RF, V, TM
	1800	254JP	575 V	BA4N015V5JP	\$1,980	92.4	23.44	14.10	274	RF, V, TM

Discount Category **56**

Note: Also available in 208/416V / 3 Phase / 60Hz

# NEMA Close Coupled Pump Motor 143JP-365JP - TEFC C-Face With Removable Feet



HP	RPM	Frame	Voltage	P/N	List	FL Eff.	C Dim. (IN)	FL Amps	LBS	Notes
20	3600	256JP	230/460 V	BA2N020V4JP	\$2,250	91	23.44	22.50	274	RF, V, TM
	3600	256JP	575 V	BA2N020V5JP	\$2,250	91	23.44	18.00	274	RF, V, TM
	1800	256JP	230/460 V	BA4N020V4JP	\$2,260	93	23.44	23.50	294	RF, V, TM
	1800	256JP	575 V	BA4N020V5JP	\$2,260	93	23.44	26.00	294	RF, V, TM
25	3600	284JP	230/460 V	BA2N025V4JP	\$2,550	91.7	24.97	28.50	340	RF, V, TM
	3600	284JP	575 V	BA2N025V5JP	\$2,550	91.7	24.97	22.80	340	RF, V, TM
	1800	284JP	230/460 V	BA4N025V4JP	\$2,730	93.6	26.34	28.50	375	RF, V, TM
	1800	284JP	575 V	BA4N025V5JP	\$2,730	93.6	26.34	22.80	375	RF, V, TM
30	3600	286JP	230/460 V	BA2N030V4JP	\$3,200	91.7	24.97	33.50	380	RF, V, TM
	3600	286JP	575 V	BA2N030V5JP	\$3,200	91.7	24.97	26.80	380	RF, V, TM
	1800	286JP	230/460 V	BA4N030V4JP	\$3,220	93.6	26.34	34.30	394	RF, V, TM
	1800	286JP	575 V	BA4N030V5JP	\$3,220	93.6	26.34	27.40	394	RF, V, TM

HP	RPM	Frame	Voltage	P/N	List	FL Eff.	C Dim. (IN)	FL Amps	LBS	Notes
<b>Cast Iron Frames</b>										
40	3600	324JP	230/460 V	BC2N040-4JP	\$3,800	93	31.25	46.00	650	RF, V, TM, RG
	3600	324JP	575 V	BC2N040-5JP	\$3,800	93	31.25	36.80	650	RF, V, TM, RG
	1800	324JP	230/460 V	BC4N040-4JP	\$3,830	94.1	32.75	45.00	660	RF, V, TM, RG
	1800	324JP	575 V	BC4N040-5JP	\$3,830	94.1	32.75	36.00	660	RF, V, TM, RG
50	3600	326JP	230/460 V	BC2N050-4JP	\$4,400	93.6	32.75	57.00	770	RF, V, TM, RG
	3600	326JP	575 V	BC2N050-5JP	\$4,400	93.6	32.75	45.60	770	RF, V, TM, RG
	1800	326JP	230/460 V	BC4N050-4JP	\$4,500	94.5	34.25	58.00	778	RF, V, TM, RG
	1800	326JP	575 V	BC4N050-5JP	\$4,500	94.5	34.25	46.40	778	RF, V, TM, RG
60	3600	364JP	230/460 V	BC2N060-4JP	\$6,240	93.6	34.25	66.00	930	RF, V, TM, RG
	3600	364JP	575 V	BC2N060-5JP	\$6,240	93.6	34.25	52.80	930	RF, V, TM, RG
	1800	364JP	230/460 V	BC4N060-4JP	\$6,200	95	36.38	68.00	940	RF, V, TM, RG
	1800	364JP	575 V	BC4N060-5JP	\$6,200	95	36.38	54.40	940	RF, V, TM, RG
75	3600	365JP	230/460 V	BC2N075-4JP	\$7,400	93.6	34.25	79.30	1075	RF, V, TM, RG
	3600	365JP	575 V	BC2N075-5JP	\$7,400	93.6	34.25	63.40	1075	RF, V, TM, RG
	1800	365JP	230/460 V	BC4N075-4JP	\$7,600	95.4	38.5	81.30	1100	RF, V, TM, RG
	1800	365JP	575 V	BC4N075-5JP	\$7,600	95.4	38.5	65.00	1100	RF, V, TM, RG

Discount Category **56**

Note: Also available in 208/416V / 3 Phase / 60Hz

General  
Single Phase

Farm Duty  
Single Phase

Fractional  
56/56C

NEMA  
Aluminum

NEMA  
Cast Iron

NEMA IEE841

NEMA  
Explosion Proof

Close Coupled  
Pump Motor

NEMA  
2 Speed Motor

NEMA  
Brake Motor

General  
Single Phase

Farm Duty  
Single Phase

Fractional  
56/56C

NEMA  
Aluminum

NEMA  
Cast Iron

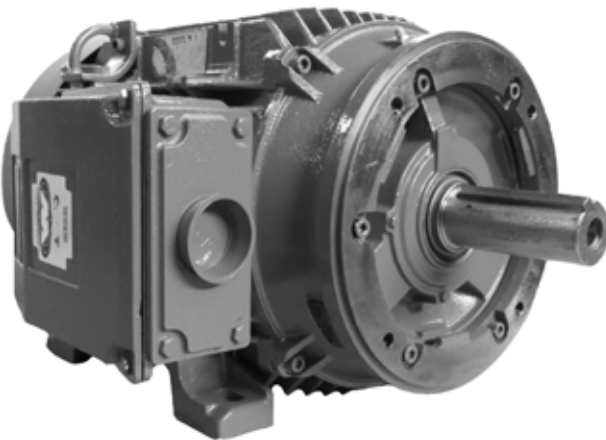
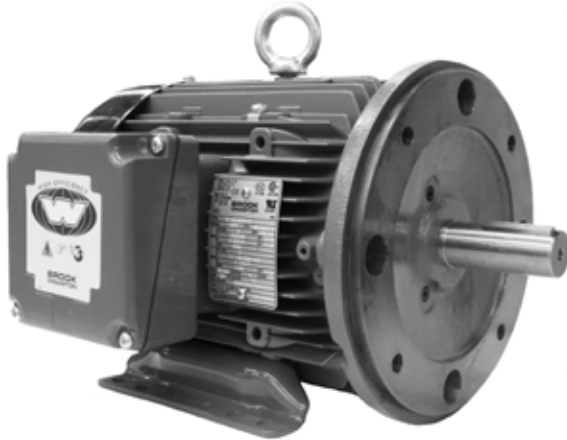
NEMA IEE841

NEMA  
Explosion Proof

Close Coupled  
Pump Motor

NEMA  
2 Speed Motor

NEMA  
Brake Motor



Variable Torque and Constant Torque Two-Speed Motors in Aluminum and Cast Iron Construction. Features Include:

- Class F insulation with class B temperature rise
- Design B
- Removable/ repositionable feet for easy conversion to F1, F2, F3 (F0), or round body configuration
- IP55 degree of protection for washdown duty enclosure
- Full contact shaft seals inside both brackets for increased protection against contaminants
- Split conduit Box is 90 degree rotatable
- Internal tropicproof

# W Series NEMA 2-Speed Motors Variable Torque - TEFC

## One Winding Variable Torque - 4/8 Pole

HP	RPM	Frame	Voltage	P/N	List	C Dim. (IN)	LBS	Notes
<b>Aluminum Frames</b>								
<b>1 / .25</b>	1800 / 900	143/5T	460 V	BA4/8N001-9-VT1	\$1,396	14.18	40	RF
	1800 / 900	143/5T	575 V	BA4/8N001-5-VT1	\$1,396	14.18	40	RF
<b>1.5 / .38</b>	1800 / 900	143/5T	460 V	BA4/8N1.5-9-VT1	\$1,607	14.18	40	RF
	1800 / 900	143/5T	575 V	BA4/8N1.5-5-VT1	\$1,607	14.18	40	RF
<b>2 / .5</b>	1800 / 900	143/5T	460 V	BA4/8N002-9-VT1	\$1,763	14.18	40	RF
	1800 / 900	143/5T	575 V	BA4/8N002-5-VT1	\$1,763	14.18	40	RF
<b>3 / .75</b>	1800 / 900	182/4T	460 V	BA4/8N003-9-VT1	\$2,015	16.27	102	RF
	1800 / 900	182/4T	575 V	BA4/8N003-5-VT1	\$2,015	16.27	102	RF
<b>5 / 1.25</b>	1800 / 900	182/4T	460 V	BA4/8N005-9-VT1	\$2,151	16.27	102	RF
	1800 / 900	182/4T	575 V	BA4/8N005-5-VT1	\$2,151	16.27	102	RF
<b>7.5 / 1.9</b>	1800 / 900	213/5T	460 V	BA4/8N7.5-9-VT1	\$2,695	19.30	150	RF
	1800 / 900	213/5T	575 V	BA4/8N7.5-5-VT1	\$2,695	19.30	150	RF
<b>10 / 2.5</b>	1800 / 900	213/5T	460 V	BA4/8N010-9-VT1	\$3,318	19.30	150	RF
	1800 / 900	213/5T	575 V	BA4/8N010-5-VT1	\$3,318	19.30	150	RF
<b>15 / 3.8</b>	1800 / 900	254/6T	460 V	BA4/8N015-9-VT1	\$4,267	23.44	280	RF
	1800 / 900	254/6T	575 V	BA4/8N015-5-VT1	\$4,267	23.44	280	RF
<b>20 / 5</b>	1800 / 900	254/6T	460 V	BA4/8N020-9-VT1	\$5,048	23.44	280	RF
	1800 / 900	254/6T	575 V	BA4/8N020-5-VT1	\$5,048	23.44	280	RF
<b>25 / 6.3</b>	1800 / 900	284/6T	460 V	BA4/8N025-9-VT1	\$5,693	26.34	368	RF
	1800 / 900	284/6T	575 V	BA4/8N025-5-VT1	\$5,693	26.34	368	RF
<b>30 / 7.5</b>	1800 / 900	284/6T	460 V	BA4/8N030-9-VT1	\$6,817	26.34	368	RF
	1800 / 900	284/6T	575 V	BA4/8N030-5-VT1	\$6,817	26.34	368	RF

HP	RPM	Frame	Voltage	P/N	List	C Dim. (IN)	LBS	Notes
<b>Cast Iron Frames</b>								
<b>40 / 10</b>	1800 / 900	324T	460 V	BC4/8N040-9-VT1	\$8,791	32.75	650	RF, RG
	1800 / 900	324T	575 V	BC4/8N040-5-VT1	\$8,791	32.75	650	RF, RG
<b>50 / 12</b>	1800 / 900	326T	460 V	BC4/8N050-9-VT1	\$10,280	32.75	765	RF, RG
	1800 / 900	326T	575 V	BC4/8N050-5-VT1	\$10,280	32.75	765	RF, RG
<b>60 / 15</b>	1800 / 900	364T	460 V	BC4/8N060-9-VT1	\$12,533	36.38	914	RF, RG
	1800 / 900	364T	575 V	BC4/8N060-5-VT1	\$12,533	36.38	914	RF, RG
<b>75 / 18</b>	1800 / 900	365T	460 V	BC4/8N075-9-VT1	\$15,141	38.50	1050	RF, RG
	1800 / 900	365T	575 V	BC4/8N075-5-VT1	\$15,141	38.50	1050	RF, RG
<b>100 / 25</b>	1800 / 900	405T	460 V	BC4/8N100-9-VT1	\$18,246	44	1384	RF, RG
	1800 / 900	405T	575 V	BC4/8N100-5-VT1	\$18,246	44	1384	RF, RG
<b>125 / 31</b>	1800 / 900	444T	460 V	BC4/8N125-9-VT1	\$24,172	47	1512	RF, RG
	1800 / 900	444T	575 V	BC4/8N125-5-VT1	\$24,172	47	1512	RF, RG
<b>150 / 37</b>	1800 / 900	445T	460 V	BC4/8N150-9-VT1	\$28,470	49.63	1896	RF, RG
	1800 / 900	445T	575 V	BC4/8N150-5-VT1	\$28,470	49.63	1896	RF, RG

Discount Category **19**

Custom Voltages Available. Please Contact Brook Crompton For Pricing.

General  
Single Phase

Farm Duty  
Single Phase

Fractional  
56/56C

NEMA  
Aluminum

NEMA  
Cast Iron

NEMA IEE841

NEMA  
Explosion Proof

Close Coupled  
Pump Motor

NEMA  
2 Speed Motor

NEMA  
Brake Motor

**W Series NEMA 2-Speed Motors Variable Torque - TEFC  
Two Winding Variable Torque - 4/8 Pole**

- General Single Phase
- Farm Duty Single Phase
- Fractional 56/56C
- NEMA Aluminum
- NEMA Cast Iron
- NEMA IEEE841
- NEMA Explosion Proof
- Close Coupled Pump Motor
- NEMA 2 Speed Motor
- NEMA Brake Motor

HP	RPM	Frame	Voltage	P/N	List	C Dim. (IN)	LBS	Notes
<b>Aluminum Frames</b>								
<b>1 / .25</b>	1800 / 900	143/5T	460 V	BA4/8N001-9-VT2	\$1,795	14.18	40	RF
	1800 / 900	143/5T	575 V	BA4/8N001-5-VT2	\$1,795	14.18	40	RF
<b>1.5 / .38</b>	1800 / 900	182/4T	460 V	BA4/8N1.5-9-VT2	\$2,279	16.27	102	RF
	1800 / 900	182/4T	575 V	BA4/8N1.5-5-VT2	\$2,279	16.27	102	RF
<b>2 / .5</b>	1800 / 900	182/4T	460 V	BA4/8N002-9-VT2	\$2,279	16.27	102	RF
	1800 / 900	182/4T	575 V	BA4/8N002-5-VT2	\$2,279	16.27	102	RF
<b>3 / .75</b>	1800 / 900	182/4T	460 V	BA4/8N003-9-VT2	\$2,439	16.27	102	RF
	1800 / 900	182/4T	575 V	BA4/8N003-5-VT2	\$2,439	16.27	102	RF
<b>5 / 1.25</b>	1800 / 900	213/5T	460 V	BA4/8N005-9-VT2	\$3,027	19.30	150	RF
	1800 / 900	213/5T	575 V	BA4/8N005-5-VT2	\$3,027	19.30	150	RF
<b>7.5 / 1.9</b>	1800 / 900	213/5T	460 V	BA4/8N7.5-9-VT2	\$3,730	19.30	150	RF
	1800 / 900	213/5T	575 V	BA4/8N7.5-5-VT2	\$3,730	19.30	150	RF
<b>10 / 2.5</b>	1800 / 900	254/6T	460 V	BA4/8N010-9-VT2	\$4,755	23.44	280	RF
	1800 / 900	254/6T	575 V	BA4/8N010-5-VT2	\$4,755	23.44	280	RF
<b>15 / 3.8</b>	1800 / 900	254/6T	460 V	BA4/8N015-9-VT2	\$5,636	23.44	280	RF
	1800 / 900	254/6T	575 V	BA4/8N015-5-VT2	\$5,636	23.44	280	RF
<b>20 / 5</b>	1800 / 900	284/6T	460 V	BA4/8N020-9-VT2	\$6,329	26.34	368	RF
	1800 / 900	284/6T	575 V	BA4/8N020-5-VT2	\$6,329	26.34	368	RF
<b>25 / 6.3</b>	1800 / 900	284/6T	460 V	BA4/8N025-9-VT2	\$7,569	26.34	368	RF
	1800 / 900	284/6T	575 V	BA4/8N025-5-VT2	\$7,569	26.34	368	RF

HP	RPM	Frame	Voltage	P/N	List	C Dim. (IN)	LBS	Notes
<b>Cast Iron Frames</b>								
<b>30 / 7.5</b>	1800 / 900	324T	460 V	BC4/8N030-9-VT2	\$9,767	32.75	650	RF, RG
	1800 / 900	324T	575 V	BC4/8N030-5-VT2	\$9,767	32.75	650	RF, RG
<b>40 / 10</b>	1800 / 900	326T	460 V	BC4/8N040-9-VT2	\$12,492	34.25	765	RF, RG
	1800 / 900	326T	575 V	BC4/8N040-5-VT2	\$12,492	34.25	765	RF, RG
<b>50 / 12</b>	1800 / 900	364T	460 V	BC4/8N050-9-VT2	\$13,821	36.38	914	RF, RG
	1800 / 900	364T	575 V	BC4/8N050-5-VT2	\$13,821	36.38	914	RF, RG
<b>60 / 15</b>	1800 / 900	365T	460 V	BC4/8N060-9-VT2	\$16,593	38.50	1050	RF, RG
	1800 / 900	365T	575 V	BC4/8N060-5-VT2	\$16,593	38.50	1050	RF, RG
<b>75 / 18</b>	1800 / 900	405T	460 V	BC4/8N075-9-VT2	\$20,110	44	1384	RF, RG
	1800 / 900	405T	575 V	BC4/8N075-5-VT2	\$20,110	44	1384	RF, RG
<b>100 / 25</b>	1800 / 900	444T	460 V	BC4/8N100-9-VT2	\$26,264	47	1512	RF, RG
	1800 / 900	444T	575 V	BC4/8N100-5-VT2	\$26,264	47	1512	RF, RG
<b>125 / 31</b>	1800 / 900	445T	460 V	BC4/8N125-9-VT2	\$30,962	49.63	1896	RF, RG
	1800 / 900	445T	575 V	BC4/8N125-5-VT2	\$30,962	49.63	1896	RF, RG
<b>150 / 37</b>	1800 / 900	504Z	460 V	BC4/8N150-9-VT2	\$40,342	51.63	2354	RF, RG
	1800 / 900	504Z	575 V	BC4/8N150-5-VT2	\$40,342	51.63	2354	RF, RG

Discount Category **19**

**Custom Voltages Available. Please Contact Brook Crompton For Pricing.**

# W Series NEMA 2-Speed Motors Variable Torque - TEFC Two Winding Variable Torque - 4/6 Pole



HP	RPM	Frame	Voltage	P/N	List	C Dim. (IN)	LBS	Notes
<b>Aluminum Frames</b>								
<b>1 / .44</b>	1800 / 1200	143/5T	460 V	BA4/6N001-9-VT2	\$1,763	14.18	40	RF
	1800 / 1200	143/5T	575 V	BA4/6N001-5-VT2	\$1,763	14.18	40	RF
<b>1.5 / .67</b>	1800 / 1200	182/4T	460 V	BA4/6N1.5-9-VT2	\$2,015	16.27	102	RF
	1800 / 1200	182/4T	575 V	BA4/6N1.5-5-VT2	\$2,015	16.27	102	RF
<b>2 / .9</b>	1800 / 1200	182/4T	460 V	BA4/6N002-9-VT2	\$2,015	16.27	102	RF
	1800 / 1200	182/4T	575 V	BA4/6N002-5-VT2	\$2,015	16.27	102	RF
<b>3 / 1.3</b>	1800 / 1200	182/4T	460 V	BA4/6N003-9-VT2	\$2,151	16.27	102	RF
	1800 / 1200	182/4T	575 V	BA4/6N003-5-VT2	\$2,151	16.27	102	RF
<b>5 / 2.2</b>	1800 / 1200	213/5T	460 V	BA4/6N005-9-VT2	\$2,695	19.30	150	RF
	1800 / 1200	213/5T	575 V	BA4/6N005-5-VT2	\$2,695	19.30	150	RF
<b>7.5 / 3.3</b>	1800 / 1200	213/5T	460 V	BA4/6N7.5-9-VT2	\$3,318	19.30	150	RF
	1800 / 1200	213/5T	575 V	BA4/6N7.5-5-VT2	\$3,318	19.30	150	RF
<b>10 / 4.4</b>	1800 / 1200	254/6T	460 V	BA4/6N010-9-VT2	\$4,267	23.44	280	RF
	1800 / 1200	254/6T	575 V	BA4/6N010-5-VT2	\$4,267	23.44	280	RF
<b>15 / 6.7</b>	1800 / 1200	254/6T	460 V	BA4/6N015-9-VT2	\$5,048	23.44	280	RF
	1800 / 1200	254/6T	575 V	BA4/6N015-5-VT2	\$5,048	23.44	280	RF
<b>20 / 8.9</b>	1800 / 1200	284/6T	460 V	BA4/6N020-9-VT2	\$5,693	26.34	368	RF
	1800 / 1200	284/6T	575 V	BA4/6N020-5-VT2	\$5,693	26.34	368	RF
<b>25 / 11</b>	1800 / 1200	284/6T	460 V	BA4/6N025-9-VT2	\$6,817	26.34	368	RF
	1800 / 1200	284/6T	575 V	BA4/6N025-5-VT2	\$6,817	26.34	368	RF

HP	RPM	Frame	Voltage	P/N	List	C Dim. (IN)	LBS	Notes
<b>Cast Iron Frames</b>								
<b>30 / 9</b>	1800 / 1200	324T	460 V	BC4/6N030-9-VT2	\$8,791	32.75	650	RF, RG
	1800 / 1200	324T	575 V	BC4/6N030-5-VT2	\$8,791	32.75	650	RF, RG
<b>40 / 12</b>	1800 / 1200	326T	460 V	BC4/6N040-9-VT2	\$10,280	34.25	765	RF, RG
	1800 / 1200	326T	575 V	BC4/6N040-5-VT2	\$10,280	34.25	765	RF, RG
<b>50 / 15</b>	1800 / 1200	364T	460 V	BC4/6N050-9-VT2	\$12,533	36.38	914	RF, RG
	1800 / 1200	364T	575 V	BC4/6N050-5-VT2	\$12,533	36.38	914	RF, RG
<b>60 / 18</b>	1800 / 1200	365T	460 V	BC4/6N060-9-VT2	\$15,141	38.50	1050	RF, RG
	1800 / 1200	365T	575 V	BC4/6N060-5-VT2	\$15,141	38.50	1050	RF, RG
<b>75 / 22</b>	1800 / 1200	405T	460 V	BC4/6N075-9-VT2	\$18,246	44	1384	RF, RG
	1800 / 1200	405T	575 V	BC4/6N075-5-VT2	\$18,246	44	1384	RF, RG
<b>100 / 30</b>	1800 / 1200	444T	460 V	BC4/6N100-9-VT2	\$24,172	47	1512	RF, RG
	1800 / 1200	444T	575 V	BC4/6N100-5-VT2	\$24,172	47	1512	RF, RG
<b>125 / 37</b>	1800 / 1200	445T	460 V	BC4/6N125-9-VT2	\$28,470	49.63	1896	RF, RG
	1800 / 1200	445T	575 V	BC4/6N125-5-VT2	\$28,470	49.63	1896	RF, RG
<b>150 / 45</b>	1800 / 1200	504Z	460 V	BC4/6N150-9-VT2	\$33,748	51.63	2354	RF, RG
	1800 / 1200	504Z	575 V	BC4/6N150-5-VT2	\$33,748	51.63	2354	RF, RG

**Discount Category 19**

**Custom Voltages Available. Please Contact Brook Crompton For Pricing.**

General  
Single Phase

Farm Duty  
Single Phase

Fractional  
56/56C

NEMA  
Aluminum

NEMA  
Cast Iron

NEMA IEEES841

NEMA  
Explosion Proof

Close Coupled  
Pump Motor

NEMA  
2 Speed Motor

NEMA  
Brake Motor

**W Series NEMA 2-Speed Motors Constant Torque - TEFC  
One Winding Constant Torque - 4/8 Pole**

- General Single Phase
- Farm Duty Single Phase
- Fractional 56/56C
- NEMA Aluminum
- NEMA Cast Iron
- NEMA IEEE841
- NEMA Explosion Proof
- Close Coupled Pump Motor
- NEMA 2 Speed Motor
- NEMA Brake Motor

HP	RPM	Frame	Voltage	P/N	List	C Dim. (IN)	LBS	Notes
<b>Aluminum Frames</b>								
1 / .5	1800 / 900	143/5T	460 V	BA4/8N001-9-CT1	\$1,763	14.18	40	RF
	1800 / 900	143/5T	575 V	BA4/8N001-5-CT1	\$1,763	14.18	40	RF
1.5 / .75	1800 / 900	182/4T	460 V	BA4/8N1.5-9-CT1	\$2,015	16.27	102	RF
	1800 / 900	182/4T	575 V	BA4/8N1.5-5-CT1	\$2,015	16.27	102	RF
2 / 1	1800 / 900	182/4T	460 V	BA4/8N002-9-CT1	\$2,015	16.27	102	RF
	1800 / 900	182/4T	575 V	BA4/8N002-5-CT1	\$2,015	16.27	102	RF
3 / 1.5	1800 / 900	182/4T	460 V	BA4/8N003-9-CT1	\$2,151	16.27	102	RF
	1800 / 900	182/4T	575 V	BA4/8N003-5-CT1	\$2,151	16.27	102	RF
5 / 2.5	1800 / 900	213/5T	460 V	BA4/8N005-9-CT1	\$2,695	19.30	150	RF
	1800 / 900	213/5T	575 V	BA4/8N005-5-CT1	\$2,695	19.30	150	RF
7.5 / 3.8	1800 / 900	213/5T	460 V	BA4/8N7.5-9-CT1	\$3,318	19.30	150	RF
	1800 / 900	213/5T	575 V	BA4/8N7.5-5-CT1	\$3,318	19.30	150	RF
10 / 5	1800 / 900	254/6T	460 V	BA4/8N010-9-CT1	\$4,267	23.44	280	RF
	1800 / 900	254/6T	575 V	BA4/8N010-5-CT1	\$4,267	23.44	280	RF
15 / 7.5	1800 / 900	254/6T	460 V	BA4/8N015-9-CT1	\$5,048	23.44	280	RF
	1800 / 900	254/6T	575 V	BA4/8N015-5-CT1	\$5,048	23.44	280	RF
20 / 10	1800 / 900	284/6T	460 V	BA4/8N020-9-CT1	\$5,693	26.34	368	RF
	1800 / 900	284/6T	575 V	BA4/8N020-5-CT1	\$5,693	26.34	368	RF
25 / 12.5	1800 / 900	284/6T	460 V	BA4/8N025-9-CT1	\$6,817	26.34	368	RF
	1800 / 900	284/6T	575 V	BA4/8N025-5-CT1	\$6,817	26.34	368	RF

HP	RPM	Frame	Voltage	P/N	List	C Dim. (IN)	LBS	Notes
<b>Cast Iron Frames</b>								
30 / 15	1800 / 900	324T	460 V	BC4/8N030-9-CT1	\$8,791	32.75	650	RF, RG
	1800 / 900	324T	575 V	BC4/8N030-5-CT1	\$8,791	32.75	650	RF, RG
40 / 20	1800 / 900	326T	460 V	BC4/8N040-9-CT1	\$10,280	34.25	765	RF, RG
	1800 / 900	326T	575 V	BC4/8N040-5-CT1	\$10,280	34.25	765	RF, RG
50 / 25	1800 / 900	364T	460 V	BC4/8N050-9-CT1	\$12,533	36.38	914	RF, RG
	1800 / 900	364T	575 V	BC4/8N050-5-CT1	\$12,533	36.38	914	RF, RG
60 / 30	1800 / 900	365T	460 V	BC4/8N060-9-CT1	\$15,141	38.50	1050	RF, RG
	1800 / 900	365T	575 V	BC4/8N060-5-CT1	\$15,141	38.50	1050	RF, RG
75 / 38	1800 / 900	405T	460 V	BC4/8N075-9-CT1	\$18,246	44	1384	RF, RG
	1800 / 900	405T	575 V	BC4/8N075-5-CT1	\$18,246	44	1384	RF, RG
100 / 50	1800 / 900	444T	460 V	BC4/8N100-9-CT1	\$24,172	47	1512	RF, RG
	1800 / 900	444T	575 V	BC4/8N100-5-CT1	\$24,172	47	1512	RF, RG
125 / 63	1800 / 900	445T	460 V	BC4/8N125-9-CT1	\$28,470	49.63	1896	RF, RG
	1800 / 900	445T	575 V	BC4/8N125-5-CT1	\$28,470	49.63	1896	RF, RG
150 / 75	1800 / 900	504Z	460 V	BC4/8N150-9-CT1	\$33,748	51.63	2354	RF, RG
	1800 / 900	504Z	575 V	BC4/8N150-5-CT1	\$33,748	51.63	2354	RF, RG

Discount Category **19**

**Custom Voltages Available. Please Contact Brook Crompton For Pricing.**



# W Series NEMA 2-Speed Motors Constant Torque - TEFC Two Winding Constant Torque - 4/8 Pole

HP	RPM	Frame	Voltage	P/N	List	C Dim. (IN)	LBS	Notes
<b>Aluminum Frames</b>								
1 / .5	1800 / 900	182/4T	460 V	BA4/8N001-9-CT2	\$1,795	16.27	102	RF
	1800 / 900	182/4T	575 V	BA4/8N001-5-CT2	\$1,795	16.27	102	RF
1.5 / .75	1800 / 900	182/4T	460 V	BA4/8N1.5-9-CT2	\$2,279	16.27	102	RF
	1800 / 900	182/4T	575 V	BA4/8N1.5-5-CT2	\$2,279	16.27	102	RF
2 / 1	1800 / 900	182/4T	460 V	BA4/8N002-9-CT2	\$2,279	16.27	102	RF
	1800 / 900	182/4T	575 V	BA4/8N002-5-CT2	\$2,279	16.27	102	RF
3 / 1.5	1800 / 900	213/5T	460 V	BA4/8N003-9-CT2	\$2,439	19.30	150	RF
	1800 / 900	213/5T	575 V	BA4/8N003-5-CT2	\$2,439	19.30	150	RF
5 / 2.5	1800 / 900	213/5T	460 V	BA4/8N005-9-CT2	\$3,027	19.30	150	RF
	1800 / 900	213/5T	575 V	BA4/8N005-5-CT2	\$3,027	19.30	150	RF
7.5 / 3.8	1800 / 900	254/6T	460 V	BA4/8N7.5-9-CT2	\$3,730	23.44	280	RF
	1800 / 900	254/6T	575 V	BA4/8N7.5-5-CT2	\$3,730	23.44	280	RF
10 / 5	1800 / 900	254/6T	460 V	BA4/8N010-9-CT2	\$4,755	23.44	280	RF
	1800 / 900	254/6T	575 V	BA4/8N010-5-CT2	\$4,755	23.44	280	RF
15 / 7.5	1800 / 900	284/6T	460 V	BA4/8N015-9-CT2	\$5,636	26.34	368	RF
	1800 / 900	284/6T	575 V	BA4/8N015-5-CT2	\$5,636	26.34	368	RF
20 / 10	1800 / 900	284/6T	460 V	BA4/8N020-9-CT2	\$6,329	26.34	368	RF
	1800 / 900	284/6T	575 V	BA4/8N020-5-CT2	\$6,329	26.34	368	RF

HP	RPM	Frame	Voltage	P/N	List	C Dim. (IN)	LBS	Notes
<b>Cast Iron Frames</b>								
25 / 12.5	1800 / 900	324T	460 V	BC4/8N025-9-CT2	\$7,569	32.75	650	RF, RG
	1800 / 900	324T	575 V	BC4/8N025-5-CT2	\$7,569	32.75	650	RF, RG
30 / 15	1800 / 900	326T	460 V	BC4/8N030-9-CT2	\$9,767	34.25	765	RF, RG
	1800 / 900	326T	575 V	BC4/8N030-5-CT2	\$9,767	34.25	765	RF, RG
40 / 20	1800 / 900	364T	460 V	BC4/8N040-9-CT2	\$12,492	36.38	914	RF, RG
	1800 / 900	364T	575 V	BC4/8N040-5-CT2	\$12,492	36.38	914	RF, RG
50 / 25	1800 / 900	365T	460 V	BC4/8N050-9-CT2	\$13,821	38.50	1050	RF, RG
	1800 / 900	365T	575 V	BC4/8N050-5-CT2	\$13,821	38.50	1050	RF, RG
60 / 30	1800 / 900	405T	460 V	BC4/8N060-9-CT2	\$16,593	44	1384	RF, RG
	1800 / 900	405T	575 V	BC4/8N060-5-CT2	\$16,593	44	1384	RF, RG
75 / 38	1800 / 900	444T	460 V	BC4/8N075-9-CT2	\$20,110	47	1512	RF, RG
	1800 / 900	444T	575 V	BC4/8N075-5-CT2	\$20,110	47	1512	RF, RG
100 / 50	1800 / 900	445T	460 V	BC4/8N100-9-CT2	\$26,264	49.63	1896	RF, RG
	1800 / 900	445T	575 V	BC4/8N100-5-CT2	\$26,264	49.63	1896	RF, RG
125 / 63	1800 / 900	504Z	460 V	BC4/8N125-9-CT2	\$30,962	51.63	2354	RF, RG
	1800 / 900	504Z	575 V	BC4/8N125-5-CT2	\$30,962	51.63	2354	RF, RG

Discount Category **19**

Custom Voltages Available. Please Contact Brook Crompton For Pricing.

General Single Phase  
Farm Duty Single Phase  
Fractional 56/56C  
NEMA Aluminum  
NEMA Cast Iron  
NEMA IEE841  
NEMA Explosion Proof  
Close Coupled Pump Motor  
NEMA 2 Speed Motor  
NEMA Brake Motor

**W Series NEMA 2-Speed Motors Constant Torque - TEFC  
Two Winding Constant Torque - 4/6 Pole**

- General Single Phase
- Farm Duty Single Phase
- Fractional 56/56C
- NEMA Aluminum
- NEMA Cast Iron
- NEMA IEEE841
- NEMA Explosion Proof
- Close Coupled Pump Motor
- NEMA 2 Speed Motor
- NEMA Brake Motor

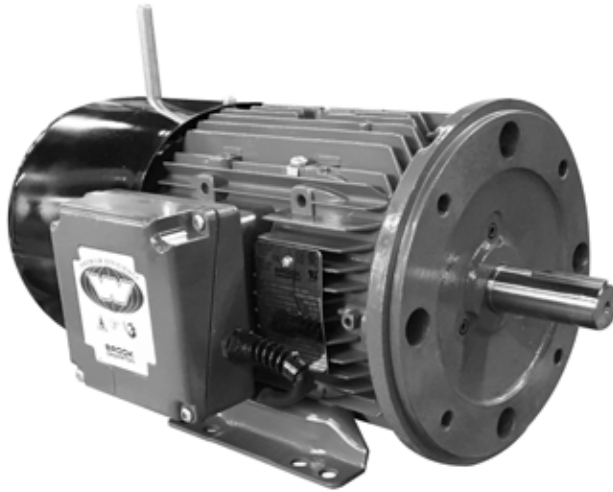
HP	RPM	Frame	Voltage	P/N	List	C Dim. (IN)	LBS	Notes
<b>Aluminum Frames</b>								
1 / .67	1800 / 1200	182/4T	460 V	BA4/6N001-9-CT2	\$2,279	16.27	102	RF
	1800 / 1200	182/4T	575 V	BA4/6N001-5-CT2	\$2,279	16.27	102	RF
1.5 / 1	1800 / 1200	182/4T	460 V	BA4/6N1.5-9-CT2	\$2,439	16.27	102	RF
	1800 / 1200	182/4T	575 V	BA4/6N1.5-5-CT2	\$2,439	16.27	102	RF
2 / 1.3	1800 / 1200	182/4T	460 V	BA4/6N002-9-CT2	\$2,439	16.27	102	RF
	1800 / 1200	182/4T	575 V	BA4/6N002-5-CT2	\$2,439	16.27	102	RF
3 / 2	1800 / 1200	213/5T	460 V	BA4/6N003-9-CT2	\$3,027	19.30	150	RF
	1800 / 1200	213/5T	575 V	BA4/6N003-5-CT2	\$3,027	19.30	150	RF
5 / 3.3	1800 / 1200	213/5T	460 V	BA4/6N005-9-CT2	\$3,730	19.30	150	RF
	1800 / 1200	213/5T	575 V	BA4/6N005-5-CT2	\$3,730	19.30	150	RF
7.5 / 5	1800 / 1200	254/6T	460 V	BA4/6N7.5-9-CT2	\$4,755	23.44	280	RF
	1800 / 1200	254/6T	575 V	BA4/6N7.5-5-CT2	\$4,755	23.44	280	RF
10 / 6.7	1800 / 1200	254/6T	460 V	BA4/6N010-9-CT2	\$5,636	23.44	280	RF
	1800 / 1200	254/6T	575 V	BA4/6N010-5-CT2	\$5,636	23.44	280	RF
15 / 10	1800 / 1200	284/6T	460 V	BA4/6N015-9-CT2	\$6,329	26.34	368	RF
	1800 / 1200	284/6T	575 V	BA4/6N015-5-CT2	\$6,329	26.34	368	RF
20 / 13	1800 / 1200	284/6T	460 V	BA4/6N020-9-CT2	\$7,569	26.34	368	RF
	1800 / 1200	284/6T	575 V	BA4/6N020-5-CT2	\$7,569	26.34	368	RF

HP	RPM	Frame	Voltage	P/N	List	C Dim. (IN)	LBS	Notes
<b>Cast Iron Frames</b>								
25 / 17	1800 / 1200	324T	460 V	BC4/6N025-9-CT2	\$9,767	32.75	650	RF, RG
	1800 / 1200	324T	575 V	BC4/6N025-5-CT2	\$9,767	32.75	650	RF, RG
30 / 20	1800 / 1200	326T	460 V	BC4/6N030-9-CT2	\$12,492	34.25	765	RF, RG
	1800 / 1200	326T	575 V	BC4/6N030-5-CT2	\$12,492	34.25	765	RF, RG
40 / 27	1800 / 1200	364T	460 V	BC4/6N040-9-CT2	\$13,821	36.38	914	RF, RG
	1800 / 1200	364T	575 V	BC4/6N040-5-CT2	\$13,821	36.38	914	RF, RG
50 / 33	1800 / 1200	365T	460 V	BC4/6N050-9-CT2	\$16,593	38.50	1050	RF, RG
	1800 / 1200	365T	575 V	BC4/6N050-5-CT2	\$16,593	38.50	1050	RF, RG
60 / 40	1800 / 1200	405T	460 V	BC4/6N060-9-CT2	\$20,110	44	1384	RF, RG
	1800 / 1200	405T	575 V	BC4/6N060-5-CT2	\$20,110	44	1384	RF, RG
75 / 50	1800 / 1200	444T	460 V	BC4/6N075-9-CT2	\$26,264	47	1512	RF, RG
	1800 / 1200	444T	575 V	BC4/6N075-5-CT2	\$26,264	47	1512	RF, RG
100 / 67	1800 / 1200	445T	460 V	BC4/6N100-9-CT2	\$30,962	49.63	1896	RF, RG
	1800 / 1200	445T	575 V	BC4/6N100-5-CT2	\$30,962	49.63	1896	RF, RG
125 / 63	1800 / 1200	504Z	460 V	BC4/6N125-9-CT2	\$40,342	51.63	2354	RF, RG
	1800 / 1200	504Z	575 V	BC4/6N125-5-CT2	\$40,342	51.63	2354	RF, RG

Discount Category **19**

**Custom Voltages Available. Please Contact Brook Crompton For Pricing.**

**W Series Brake Motor NEMA 56-215T - TEFC**  
**Cast Aluminum Construction**



Three Phase Brake Motors With Lightweight High Performance Cast Aluminum Frames. Features Include:

- 1.25 service factor at 60Hz, 1.0 service factor at 50Hz
- Class F insulation with class B rise
- Removable/ repositionable feet for easy conversion to F1, F2, F3 (F0), or round body configuration
- Motor: IP55 degree of protection for washdown duty enclosure
- Full contact shaft seals inside both brackets for increased protection against contaminants
- Brake: IP23 degree of protection
- Three phase AC brake mounted to non-drive end of motor
- Brake is spring applied, power release
- Dual rated 60/50Hz at same HP
- Cast Aluminum conduit box with drilled and tapped entry is rotatable in 90 degree increments
- Internal tropicproof

General Single Phase
Farm Duty Single Phase
Fractional 56/56C
NEMA Aluminum
NEMA Cast Iron
NEMA IEE841
NEMA Explosion Proof
Close Coupled Pump Motor
NEMA 2 Speed Motor
NEMA Brake Motor

**W Series Brake Motor NEMA 56-215T - TEFC  
Foot Mounted - Cast Aluminum**

General Single Phase

Farm Duty Single Phase

Fractional 56/56C

NEMA Aluminum

NEMA Cast Iron

NEMA IEEE841

NEMA Explosion Proof

Close Coupled Pump Motor

NEMA 2 Speed Motor

NEMA Brake Motor

HP	RPM	Frame	Voltage	P/N	List	Brake Ft. Lbs	FL Eff.	C Dim. (IN)	FL Amps	LBS	Notes
0.5	1800	56	230/460 V	BF4N.50V2BRK	\$1,599	11.8	68.1	15.04	0.98	23	RF, V
	1800	56	575 V	BF4N.50V5BRK	\$1,599	11.8	68.1	15.04	0.78	23	RF, V
	1200	56	230/460 V	BF6N.50V2BRK	\$1,706	11.8	70.2	15.04	0.90	23	RF, V
	1200	56	575 V	BF6N.50V5BRK	\$1,706	11.8	70.2	15.04	0.72	23	RF, V
0.75	3600	56	230/460 V	BF2N.75V2BRK	\$1,633	11.8	74.6	15.04	1.15	25	RF, V
	3600	56	575 V	BF2N.75V5BRK	\$1,633	11.8	74.6	15.04	0.92	25	RF, V
	1800	56	230/460 V	BF4N.75V2BRK	\$1,611	11.8	72.8	15.04	1.27	25	RF, V
	1800	56	575 V	BF4N.75V5BRK	\$1,611	11.8	72.8	15.04	1.02	25	RF, V
	1200	56	230/460 V	BF6N.75V2BRK	\$1,742	11.8	74.7	15.04	1.36	25	RF, V
	1200	56	575 V	BF6N.75V5BRK	\$1,742	11.8	74.7	15.04	1.09	25	RF, V
1	3600	56	230/460 V	BF2N001V2BRK	\$1,729	11.8	77	11.50	1.39	30	RF, V
	3600	56	575 V	BF2N001V5BRK	\$1,729	11.8	77	11.50	1.11	30	RF, V
	1800	56	230/460 V	PF4N001-2BRK	\$2,012	11.8	85.5	11.50	1.59	30	RF
	1800	56	575 V	PF4N001-5BRK	\$2,012	11.8	85.5	11.50	1.28	30	RF
	1800	143T	230/460 V	BA4N001V4BRK	\$2,012	11.8	85.5	17.68	1.43	47	RF, V
	1800	143T	575 V	BA4N001V5BRK	\$2,012	11.8	85.5	17.68	1.14	47	RF, V
1.5	3600	56	230/460 V	BF2N1.5V2BRK	\$1,779	11.8	84	11.50	2.33	35	RF, V
	3600	56	575 V	BF2N1.5V5BRK	\$1,779	11.8	84	11.50	1.86	35	RF, V
	1800	56	230/460 V	PF4N1.5-2BRK	\$2,037	11.8	86.5	13.60	2.13	35	RF
	1800	56	575 V	PF4N1.5-5BRK	\$2,037	11.8	86.5	13.60	1.70	35	RF
	3600	143T	230/460 V	BA2N1.5V4BRK	\$2,037	11.8	84	17.68	1.89	47	RF, V
	3600	143T	575 V	BA2N1.5V5BRK	\$2,037	11.8	84	17.68	1.51	47	RF, V
	1800	145T	230/460 V	BA4N1.5V4BRK	\$2,053	11.8	86.5	17.68	2.05	49	RF, V
	1800	145T	575 V	BA4N1.5V5BRK	\$2,053	11.8	86.5	17.68	1.64	49	RF, V
2	3600	145T	230/460 V	BA2N002V4BRK	\$2,089	11.8	85.5	17.68	2.47	49	RF, V
	3600	145T	575 V	BA2N002V5BRK	\$2,089	11.8	85.5	17.68	1.98	49	RF, V
	1800	145T	230/460 V	BA4N002V4BRK	\$2,088	11.8	86.5	17.68	2.65	49	RF, V
	1800	145T	575 V	BA4N002V5BRK	\$2,088	11.8	86.5	17.68	2.12	49	RF, V
3	3600	182T	230/460 V	BA2N003V4BRK	\$2,588	29.5	86.5	18.93	3.55	102	RF, V
	3600	182T	575 V	BA2N003V5BRK	\$2,588	29.5	86.5	18.93	2.84	102	RF, V
	1800	182T	230/460 V	BA4N003V4BRK	\$2,595	29.5	89.5	18.93	3.91	102	RF, V
	1800	182T	575 V	BA4N003V5BRK	\$2,595	29.5	89.5	18.93	3.12	102	RF, V
5	3600	184T	230/460 V	BA2N005V4BRK	\$2,657	29.5	88.5	19.77	5.77	114	RF, V
	3600	184T	575 V	BA2N005V5BRK	\$2,657	29.5	88.5	19.77	4.61	114	RF, V
	1800	184T	230/460 V	BA4N005V4BRK	\$2,603	29.5	89.5	19.77	7.00	114	RF, V
	1800	184T	575 V	BA4N005V5BRK	\$2,603	29.5	89.5	19.77	5.60	114	RF, V
7.5	3600	213T	230/460 V	BA2N7.5V4BRK	\$3,204	44.25	89.5	23.80	8.57	145	RF, V
	3600	213T	575 V	BA2N7.5V5BRK	\$3,204	44.25	89.5	23.80	6.86	145	RF, V
	1800	213T	230/460 V	BA4N7.5V4BRK	\$3,251	44.25	91.7	23.80	8.96	145	RF, V
	1800	213T	575 V	BA4N7.5V5BRK	\$3,251	44.25	91.7	23.80	7.17	145	RF, V
10	3600	215T	230/460 V	BA2N010V4BRK	\$3,460	44.25	90.2	23.80	11.50	165	RF, V
	3600	215T	575 V	BA2N010V5BRK	\$3,460	44.25	90.2	23.80	9.17	165	RF, V
	1800	215T	230/460 V	BA4N010V4BRK	\$3,480	44.25	91.7	23.80	12.20	165	RF, V
	1800	215T	575 V	BA4N010V5BRK	\$3,480	44.25	91.7	23.80	9.78	165	RF, V

Discount Category **15**

230/460V motors supplied with 230V coil. 460V coil is available with “-9BRK” suffix.

254T - 286T frame brake motors available. Contact Brook Crompton for pricing and availability.

# W Series Brake Motor NEMA 56C-215TC - TEFC C-Face With Removable Feet - Cast Aluminum

HP	RPM	Frame	Voltage	P/N	List	Brake Ft. Lbs	FL Eff.	C Dim. (IN)	FL Amps	LBS	Notes
0.5	1800	56C	230/460 V	BF4N.50V2CBRK	\$1,639	11.8	68.1	15.04	0.98	29	RF, V
	1800	56C	575 V	BF4N.50V5CBRK	\$1,639	11.8	68.1	15.04	0.78	29	RF, V
	1200	56C	230/460 V	BF6N.50V2CBRK	\$1,746	11.8	70.2	15.04	0.90	29	RF, V
	1200	56C	575 V	BF6N.50V5CBRK	\$1,746	11.8	70.2	15.04	0.72	29	RF, V
0.75	3600	56C	230/460 V	BF2N.75V2CBRK	\$1,673	11.8	74.6	15.04	1.15	31	RF, V
	3600	56C	575 V	BF2N.75V5CBRK	\$1,673	11.8	74.6	15.04	0.92	31	RF, V
	1800	56C	230/460 V	BF4N.75V2CBRK	\$1,651	11.8	72.8	15.04	1.27	31	RF, V
	1800	56C	575 V	BF4N.75V5CBRK	\$1,651	11.8	72.8	15.04	1.02	31	RF, V
	1200	56C	230/460 V	BF6N.75V2CBRK	\$1,782	11.8	74.7	15.04	1.36	31	RF, V
	1200	56C	575 V	BF6N.75V5CBRK	\$1,782	11.8	74.7	15.04	1.09	31	RF, V
1	3600	56C	230/460 V	BF2N001V2CBRK	\$1,750	11.8	77	11.50	1.39	35	RF, V
	3600	56C	575 V	BF2N001V5CBRK	\$1,750	11.8	77	11.50	1.11	35	RF, V
	1800	56C	230/460 V	PF4N001-2CBRK	\$2,057	11.8	85.5	11.50	1.59	35	RF
	1800	56C	575 V	PF4N001-5CBRK	\$2,057	11.8	85.5	11.50	1.28	35	RF
	1800	143TC	230/460 V	BA4N001V4CBRK	\$2,057	11.8	85.5	17.68	1.43	57	RF, V
	1800	143TC	575 V	BA4N001V5CBRK	\$2,057	11.8	85.5	17.68	1.14	57	RF, V
1.5	3600	56C	230/460 V	BF2N1.5V2CBRK	\$1,796	11.8	84	11.50	2.33	40	RF, V
	3600	56C	575 V	BF2N1.5V5CBRK	\$1,796	11.8	84	11.50	1.86	40	RF, V
	1800	56C	230/460 V	PF4N1.5-2CBRK	\$2,082	11.8	86.5	13.60	2.13	40	RF
	1800	56C	575 V	PF4N1.5-5CBRK	\$2,082	11.8	86.5	13.60	1.70	40	RF
	3600	143TC	230/460 V	BA2N1.5V4CBRK	\$2,082	11.8	84	17.68	1.89	57	RF, V
	3600	143TC	575 V	BA2N1.5V5CBRK	\$2,082	11.8	84	17.68	1.51	57	RF, V
	1800	145TC	230/460 V	BA4N1.5V4CBRK	\$2,098	11.8	86.5	17.68	2.05	59	RF, V
	1800	145TC	575 V	BA4N1.5V5CBRK	\$2,098	11.8	86.5	17.68	1.64	59	RF, V
2	3600	145TC	230/460 V	BA2N002V4CBRK	\$2,134	11.8	85.5	17.68	2.47	59	RF, V
	3600	145TC	575 V	BA2N002V5CBRK	\$2,134	11.8	85.5	17.68	1.98	59	RF, V
	1800	145TC	230/460 V	BA4N002V4CBRK	\$2,133	11.8	86.5	17.68	2.65	59	RF, V
	1800	145TC	575 V	BA4N002V5CBRK	\$2,133	11.8	86.5	17.68	2.12	59	RF, V
3	3600	182TC	230/460 V	BA2N003V4CBRK	\$2,653	29.5	86.5	18.93	3.55	112	RF, V
	3600	182TC	575 V	BA2N003V5CBRK	\$2,653	29.5	86.5	18.93	2.84	112	RF, V
	1800	182TC	230/460 V	BA4N003V4CBRK	\$2,660	29.5	89.5	18.93	3.91	112	RF, V
	1800	182TC	575 V	BA4N003V5CBRK	\$2,660	29.5	89.5	18.93	3.12	112	RF, V
5	3600	184TC	230/460 V	BA2N005V4CBRK	\$2,722	29.5	88.5	19.77	5.77	124	RF, V
	3600	184TC	575 V	BA2N005V5CBRK	\$2,722	29.5	88.5	19.77	4.61	124	RF, V
	1800	184TC	230/460 V	BA4N005V4CBRK	\$2,668	29.5	89.5	19.77	7.00	124	RF, V
	1800	184TC	575 V	BA4N005V5CBRK	\$2,668	29.5	89.5	19.77	5.60	124	RF, V
7.5	3600	213TC	230/460 V	BA2N7.5V4CBRK	\$3,304	44.25	89.5	23.80	8.57	157	RF, V
	3600	213TC	575 V	BA2N7.5V5CBRK	\$3,304	44.25	89.5	23.80	6.86	157	RF, V
	1800	213TC	230/460 V	BA4N7.5V4CBRK	\$3,351	44.25	91.7	23.80	8.96	157	RF, V
	1800	213TC	575 V	BA4N7.5V5CBRK	\$3,351	44.25	91.7	23.80	7.17	157	RF, V
10	3600	215TC	230 V	BA2N010V4CBRK	\$3,560	44.25	90.2	23.80	11.50	177	RF, V
	3600	215TC	575 V	BA2N010V5CBRK	\$3,560	44.25	90.2	23.80	9.17	177	RF, V
	1800	215TC	230 V	BA4N010V4CBRK	\$3,580	44.25	91.7	23.80	12.20	177	RF, V
	1800	215TC	575 V	BA4N010V5CBRK	\$3,580	44.25	91.7	23.80	9.78	177	RF, V

Discount Category **15**

230/460V motors supplied with 230V coil. 460V coil is available with “-9BRK” suffix.

D-Flange mounted motors also available at same price as C-Face mounted motors.  
Change from “CBRK” to “DBRK” at end of part number.

254T - 286T frame brake motors available. Contact Brook Crompton for pricing and availability.

General  
Single Phase

Farm Duty  
Single Phase

Fractional  
56/56C

NEMA  
Aluminum

NEMA  
Cast Iron

NEMA IEE841

NEMA  
Explosion Proof

Close Coupled  
Pump Motor

NEMA  
2 Speed Motor

NEMA  
Brake Motor



IEC/Metric  
Aluminum

IEC/Metric  
Cast Iron

ATEX EEXD IIB  
Explosion Proof

ATEX EEXDE IIC  
Explosion Proof

ATEX EEXNA  
Non-Sparking

IEC/Metric  
Brake Motor



Lightweight High Performance Cast Aluminum Frames. Features Include:

- NEMA MG1-Part 31 inverter duty 5:1 constant torque, 10:1 variable torque
- 1.25 service factor at 60Hz, 1.0 service factor at 50Hz
- Class F insulation with class B temperature rise
- IP55 degree of protection for washdown duty enclosure
- Full contact shaft seals inside both brackets for increased protection against contaminants
- Removable/ repositionable feet for easy conversion to terminal box on top, left, right, or round body configuration
- IEC style terminal blocks included inside junction box
- Meets IEC 60034 electrical performance and IEC 60072 dimensional standards
- Dual rated 60/50Hz at same HP
- Cast aluminum conduit box with drilled and tapped entry is rotatable in 90 degree increments
- CSA approved for Class I; Division 2; Groups A, B, C & D, Zone 2; Groups IIA & IIB T3 with VFD
- Internal tropicproof
- Thermistors included in motors 160M and above. 1 per phase
- 3 year warranty

**W Series IEC 63-180L, 3 Phase - TEFC  
B3 (Foot Mount) - Cast Aluminum**

HP	Kw	RPM	Frame	Voltage	P/N	List	FL Eff.	L Dim. (mm)	FL Amps	LBS	Notes
0.25	0.18	3600	63	230/460 V	BA2M.25V4	\$202	64	207	0.60	10	RF, EU, V, TA
		3600	63	575 V	BA2M.25V5	\$202	64	207	0.40	10	RF, EU, V, TA
		1800	63	230/460 V	BA4M.25V4	\$212	58	207	0.80	10	RF, EU, V, TA
		1800	63	575 V	BA4M.25V5	\$212	58	207	0.60	10	RF, EU, V, TA
		1200	71	230/460 V	BA6M.25V4	\$261	61	238	0.80	16	RF, EU, V
		1200	71	575 V	BA6M.25V5	\$261	61	238	0.60	16	RF, EU, V
		900	80	230/460 V	BA8M.25V4	\$371	57	278	0.87	22	RF, EU, V
		900	80	575 V	BA8M.25V5	\$371	57	278	0.70	22	RF, EU, V
0.33	0.25	3600	63	230/460 V	BA2M.33V4	\$213	65	207	0.60	10	RF, EU, V, TA
		3600	63	575 V	BA2M.33V5	\$213	65	207	0.50	10	RF, EU, V, TA
		1800	71	230/460 V	BA4M.33V4	\$259	70	238	0.70	16	RF, EU, V, TA
		1800	71	575 V	BA4M.33V5	\$259	70	238	0.60	16	RF, EU, V, TA
		1200	71	230/460 V	BA6M.33V4	\$276	68	238	0.70	16	RF, EU, V
		1200	71	575 V	BA6M.33V5	\$276	68	238	0.60	16	RF, EU, V
		900	80	230/460 V	BA8M.33V4	\$427	62	278	0.75	22	RF, EU, V
		900	80	575 V	BA8M.33V5	\$427	62	278	0.60	22	RF, EU, V
0.50	0.37	3600	71	230/460 V	BA2M.50V4	\$256	71	238	0.90	16	RF, EU, V, TA
		3600	71	575 V	BA2M.50V5	\$256	71	238	0.70	16	RF, EU, V, TA
		1800	71	230/460 V	BA4M.50V4	\$277	73	238	1.00	16	RF, EU, V, TA
		1800	71	575 V	BA4M.50V5	\$277	73	238	0.80	16	RF, EU, V, TA
		1200	80	230/460 V	BA6M.50V4	\$343	65	278	1.10	22	RF, EU, V
		1200	80	575 V	BA6M.50V5	\$343	65	278	0.90	22	RF, EU, V
		900	90S	230/460 V	BA8M.50V4	\$474	62	350	1.38	28	RF, EU, V
		900	90S	575 V	BA8M.50V5	\$474	62	350	1.10	28	RF, EU, V
0.75	0.55	3600	71	230/460 V	BA2M.75V4	\$273	74	238	1.20	18	RF, EU, V, TA
		3600	71	575 V	BA2M.75V5	\$273	74	238	1.00	18	RF, EU, V, TA
		1800	80	230/460 V	BA4M.75V4	\$340	77	278	1.40	24	RF, EU, V, TA
		1800	80	575 V	BA4M.75V5	\$340	77	278	1.10	24	RF, EU, V, TA
		1200	80	230/460 V	BA6M.75V4	\$372	71	278	1.50	24	RF, EU, V
		1200	80	575 V	BA6M.75V5	\$372	71	278	1.20	24	RF, EU, V
		900	90L	230/460 V	BA8M.75V4	\$544	66	350	1.82	28	RF, EU, V
		900	90L	575 V	BA8M.75V5	\$544	66	350	1.46	28	RF, EU, V
1	0.75	3600	80	230/460 V	BA2M001V4	\$397	77	278	1.39	28	RF, EU, V, PA
		3600	80	575 V	BA2M001V5	\$397	77	278	1.11	28	RF, EU, V, PA
		1800	80	230/460 V	PA4M001-2	\$401	85.5	278	1.59	28	RF, EU
		1800	80	575 V	PA4M001-5	\$401	85.5	278	1.28	28	RF, EU
		1200	90S	230/460 V	BA6M001V4	\$566	82.5	350	1.61	28	RF, EU, V, PA
		1200	90S	575 V	BA6M001V5	\$566	82.5	350	1.29	28	RF, EU, V, PA
1.5	1.1	3600	80	230/460 V	BA2M1.5V4	\$453	84	278	2.32	28	RF, EU, V, PA
		3600	80	575 V	BA2M1.5V5	\$453	84	278	1.86	28	RF, EU, V, PA
		1800	90S	230/460 V	BA4M1.5V4	\$549	86.5	350	2.05	44	RF, EU, V
		1800	90S	575 V	BA4M1.5V5	\$549	86.5	350	1.64	44	RF, EU, V
2	1.5	3600	90S	230/460 V	BA2M002V4	\$568	85.5	350	2.47	44	RF, EU, V
		3600	90S	575 V	BA2M002V5	\$568	85.5	350	1.98	44	RF, EU, V
		1800	90L	230/460 V	BA4M002V4	\$624	86.5	350	2.65	51	RF, EU, V
		1800	90L	575 V	BA4M002V5	\$624	86.5	350	2.12	51	RF, EU, V

Discount Category **17**

IEC/Metric Aluminum  
IEC/Metric Cast Iron  
ATEX EEXD IIB Explosion Proof  
ATEX EEXDE IIC Explosion Proof  
ATEX EEXNA Non-Sparking  
IEC/Metric Brake Motor

- IEC/Metric Aluminum
- IEC/Metric Cast Iron
- ATEX EEXD IIB Explosion Proof
- ATEX EEXDE IIC Explosion Proof
- ATEX EEXNA Non-Sparking
- IEC/Metric Brake Motor

HP	Kw	RPM	Frame	Voltage	P/N	List	FL Eff.	L Dim. (mm)	FL Amps	LBS	Notes
3	2.2	3600	90L	230/460 V	BA2M003V4	\$642	86.5	350	3.55	49	RF, EU, V
		3600	90L	575 V	BA2M003V5	\$642	86.5	350	2.84	49	RF, EU, V
		1800	100L	230/460 V	BA4M003V4	\$768	89.5	375	3.76	85	RF, EU, V
		1800	100L	575 V	BA4M003V5	\$768	89.5	375	3.01	85	RF, EU, V
		1200	112M	230/460 V	PA6M003-2	\$1,041	89.5	402	4.20	150	RF, EU
		1200	112M	575 V	PA6M003-5	\$1,041	89.5	402	3.40	150	RF, EU
4	3	3600	100L	230/460 V	BA2M004V4	\$831	88.5	375	4.73	85	RF, EU, V
		3600	100L	575 V	BA2M004V5	\$831	88.5	375	3.79	85	RF, EU, V
		1800	100L	230/460 V	BA4M004V4	\$840	89.5	375	5.01	85	RF, EU, V
		1800	100L	575 V	BA4M004V5	\$840	89.5	375	4.01	85	RF, EU, V
		1200	132S	230/460 V	BA6M004V4	\$1,333	89.5	500	6.01	150	RF, EU, V, PA
		1200	132S	575 V	BA6M004V5	\$1,333	89.5	500	4.81	150	RF, EU, V, PA
5.5	4	3600	112M	230/460 V	BA2M5.5V4	\$965	88.5	402	6.23	100	RF, EU, V
		3600	112M	575 V	BA2M5.5V5	\$965	88.5	402	4.99	100	RF, EU, V
		1800	112M	230/460 V	BA4M5.5V4	\$957	89.5	402	6.76	100	RF, EU, V
		1800	112M	575 V	BA4M5.5V5	\$957	89.5	402	7.47	100	RF, EU, V
		1200	132M	230/460 V	BA6M5.5V4	\$1,570	89.5	500	7.38	150	RF, EU, V, PA
		1200	132M	575 V	BA6M5.5V5	\$1,570	89.5	500	5.90	150	RF, EU, V, PA
7.5	5.5	3600	132S	230/460 V	BA2M7.5V4	\$1,248	89.5	500	8.57	130	RF, EU, V
		3600	132S	575 V	BA2M7.5V5	\$1,248	89.5	500	6.86	130	RF, EU, V
		1800	132S	230/460 V	BA4M7.5V4	\$1,348	91.7	500	8.96	130	RF, EU, V
		1800	132S	575 V	BA4M7.5V5	\$1,348	91.7	500	7.17	130	RF, EU, V
		1200	132M	230/460 V	PA6M7.5-2	\$1,789	91	500	10.60	150	RF, EU
		1200	132M	575 V	PA6M7.5-5	\$1,789	91	500	8.50	150	RF, EU
10	7.5	3600	132S	230/460 V	BA2M010V4	\$1,366	90.2	500	11.50	130	RF, EU, V
		3600	132S	575 V	BA2M010V5	\$1,366	90.2	500	9.17	130	RF, EU, V
		1800	132M	230/460 V	BA4M010V4	\$1,694	91.7	500	12.20	150	RF, EU, V
		1800	132M	575 V	BA4M010V5	\$1,694	91.7	500	9.78	150	RF, EU, V
		1200	160M	230/460 V	BA6M010V4	\$2,453	91	604	12.80	252	RF, EU, V, TM
		1200	160M	575 V	BA6M010V5	\$2,453	91	604	10.20	252	RF, EU, V, TM
15	11	3600	160M	230/460 V	BA2M015V4	\$2,295	91	604	16.70	252	RF, EU, V, TM
		3600	160M	575 V	BA2M015V5	\$2,295	91	604	13.30	252	RF, EU, V, TM
		1800	160M	230/460 V	BA4M015V4	\$2,399	92.4	604	17.60	252	RF, EU, V, TM
		1800	160M	575 V	BA4M015V5	\$2,399	92.4	604	14.10	252	RF, EU, V, TM
		1200	160L	230/460 V	BA6M015V4	\$3,161	91.7	604	18.10	280	RF, EU, V, TM
		1200	160L	575 V	BA6M015V5	\$3,161	91.7	604	14.50	280	RF, EU, V, TM
20	15	3600	160M	230/460 V	BA2M020V4	\$2,574	91	604	22.50	252	RF, EU, V, TM
		3600	160M	575 V	BA2M020V5	\$2,574	91	604	18.00	252	RF, EU, V, TM
		1800	160L	230/460 V	BA4M020V4	\$2,950	93	604	23.50	280	RF, EU, V, TM
		1800	160L	575 V	BA4M020V5	\$2,950	93	604	26.00	280	RF, EU, V, TM
		1200	180L	230/460 V	BA6M020V4	\$3,732	91.7	663	24.40	368	RF, EU, V, TM
		1200	180L	575 V	BA6M020V5	\$3,732	91.7	663	19.60	368	RF, EU, V, TM
25	18.5	3600	160L	230/460 V	BA2M025V4	\$2,931	91.7	604	27.80	280	RF, EU, V, TM
		3600	160L	575 V	BA2M025V5	\$2,931	91.7	604	22.30	280	RF, EU, V, TM
		1800	180M	230/460 V	BA4M025V4	\$3,324	93.6	663	28.50	315	RF, EU, V, TM
		1800	180M	575 V	BA4M025V5	\$3,324	93.6	663	22.80	315	RF, EU, V, TM
30	22	3600	180M	230/460 V	BA2M030V4	\$3,778	91.7	663	33.50	315	RF, EU, V, TM
		3600	180M	575 V	BA2M030V5	\$3,778	91.7	663	26.80	315	RF, EU, V, TM
		1800	180L	230/460 V	BA4M030V4	\$4,334	93.6	663	34.30	368	RF, EU, V, TM
		1800	180L	575 V	BA4M030V5	\$4,334	93.6	663	27.40	368	RF, EU, V, TM

**Discount Category 17**



# W Series IEC 63-180L, 3 Phase - TEFC B14 (C-Face With B3 Removable Feet) - Cast Aluminum



HP	Kw	RPM	Frame	Voltage	P/N	List	FL Eff.	L Dim. (mm)	FL Amps	LBS	Notes
0.25	0.18	3600	63	230/460 V	BA2M.25V4C	\$242	64	207	0.60	14	RF, EU, V, TA
		3600	63	575 V	BA2M.25V5C	\$242	64	207	0.40	14	RF, EU, V, TA
		1800	63	230/460 V	BA4M.25V4C	\$252	58	207	0.80	14	RF, EU, V, TA
		1800	63	575 V	BA4M.25V5C	\$252	58	207	0.60	14	RF, EU, V, TA
		1200	71	230/460 V	BA6M.25V4C	\$301	61	238	0.80	20	RF, EU, V
		1200	71	575 V	BA6M.25V5C	\$301	61	238	0.60	20	RF, EU, V
		900	80	230/460 V	BA8M.25V4C	\$416	57	278	0.87	26	RF, EU, V
		900	80	575 V	BA8M.25V5C	\$416	57	278	0.70	26	RF, EU, V
0.33	0.25	3600	63	230/460 V	BA2M.33V4C	\$253	65	207	0.60	14	RF, EU, V, TA
		3600	63	575 V	BA2M.33V5C	\$253	65	207	0.50	14	RF, EU, V, TA
		1800	71	230/460 V	BA4M.33V4C	\$299	70	238	0.70	20	RF, EU, V, TA
		1800	71	575 V	BA4M.33V5C	\$299	70	238	0.60	20	RF, EU, V, TA
		1200	71	230/460 V	BA6M.33V4C	\$316	68	238	0.70	20	RF, EU, V
		1200	71	575 V	BA6M.33V5C	\$316	68	238	0.60	20	RF, EU, V
		900	80	230/460 V	BA8M.33V4C	\$472	62	278	0.75	26	RF, EU, V
		900	80	575 V	BA8M.33V5C	\$472	62	278	0.60	26	RF, EU, V
0.50	0.37	3600	71	230/460 V	BA2M.50V4C	\$296	71	238	0.90	20	RF, EU, V, TA
		3600	71	575 V	BA2M.50V5C	\$296	71	238	0.70	20	RF, EU, V, TA
		1800	71	230/460 V	BA4M.50V4C	\$317	73	238	1.00	20	RF, EU, V, TA
		1800	71	575 V	BA4M.50V5C	\$317	73	238	0.80	20	RF, EU, V, TA
		1200	80	230/460 V	BA6M.50V4C	\$388	65	278	1.10	26	RF, EU, V
		1200	80	575 V	BA6M.50V5C	\$388	65	278	0.90	26	RF, EU, V
		900	90S	230/460 V	BA8M.50V4C	\$524	62	350	1.38	32	RF, EU, V
		900	90S	575 V	BA8M.50V5C	\$524	62	350	1.10	32	RF, EU, V
0.75	0.55	3600	71	230/460 V	BA2M.75V4C	\$318	74	238	1.20	20	RF, EU, V, TA
		3600	71	575 V	BA2M.75V5C	\$318	74	238	1.00	20	RF, EU, V, TA
		1800	80	230/460 V	BA4M.75V4C	\$385	77	278	1.40	28	RF, EU, V, TA
		1800	80	575 V	BA4M.75V5C	\$385	77	278	1.10	28	RF, EU, V, TA
		1200	80	230/460 V	BA6M.75V4C	\$417	71	278	1.50	28	RF, EU, V
		1200	80	575 V	BA6M.75V5C	\$417	71	278	1.20	28	RF, EU, V
		900	90L	230/460 V	BA8M.75V4C	\$594	66	350	1.82	32	RF, EU, V
		900	90L	575 V	BA8M.75V5C	\$594	66	350	1.46	32	RF, EU, V
1	0.75	3600	80	230/460 V	BA2M001V4C	\$442	77	278	1.39	32	RF, EU, V, PA
		3600	80	575 V	BA2M001V5C	\$442	77	278	1.11	32	RF, EU, V, PA
		1800	80	230/460 V	PA4M001-2C	\$446	85.5	278	1.59	32	RF, EU
		1800	80	575 V	PA4M001-5C	\$446	85.5	278	1.28	32	RF, EU
		1200	90S	230/460 V	BA6M001V4C	\$616	82.5	350	1.61	32	RF, EU, V, PA
		1200	90S	575 V	BA6M001V5C	\$616	82.5	350	1.29	32	RF, EU, V, PA
1.5	1.1	3600	80	230/460 V	BA2M1.5V4C	\$503	84	278	2.32	32	RF, EU, V, PA
		3600	80	575 V	BA2M1.5V5C	\$503	84	278	1.86	32	RF, EU, V, PA
		1800	90S	230/460 V	BA4M1.5V4C	\$599	86.5	350	2.05	48	RF, EU, V
		1800	90S	575 V	BA4M1.5V5C	\$599	86.5	350	1.64	48	RF, EU, V
2	1.5	3600	90S	230/460 V	BA2M002V4C	\$618	85.5	350	2.47	48	RF, EU, V
		3600	90S	575 V	BA2M002V5C	\$618	85.5	350	1.98	48	RF, EU, V
		1800	90L	230/460 V	BA4M002V4C	\$674	86.5	350	2.65	54	RF, EU, V
		1800	90L	575 V	BA4M002V5C	\$674	86.5	350	2.12	54	RF, EU, V

Discount Category **17**

IEC/Metric Aluminum  
IEC/Metric Cast Iron  
ATEX EEXD IIB Explosion Proof  
ATEX EEXDE IIC Explosion Proof  
ATEX EEXNA Non-Sparking  
IEC/Metric Brake Motor

IEC/Metric  
Aluminum

IEC/Metric  
Cast Iron

ATEX EEXD IIB  
Explosion Proof

ATEX EEXDE IIC  
Explosion Proof

ATEX EEXNA  
Non-Sparking

IEC/Metric  
Brake Motor

HP	Kw	RPM	Frame	Voltage	P/N	List	FL Eff.	L Dim. (mm)	FL Amps	LBS	Notes
3	2.2	3600	90L	230/460 V	BA2M003V4C	\$692	86.5	350	3.55	50	RF, EU, V
		3600	90L	575 V	BA2M003V5C	\$692	86.5	350	2.84	50	RF, EU, V
		1800	100L	230/460 V	BA4M003V4C	\$838	89.5	375	3.76	92	RF, EU, V
		1800	100L	575 V	BA4M003V5C	\$838	89.5	375	3.01	92	RF, EU, V
		1200	112M	230/460 V	PA6M003-2C	\$1,111	89.5	402	4.20	100	RF, EU
		1200	112M	575 V	PA6M003-5C	\$1,111	89.5	402	3.40	100	RF, EU
4	3	3600	100L	230/460 V	BA2M004V4C	\$901	88.5	375	4.73	90	RF, EU, V
		3600	100L	575 V	BA2M004V5C	\$901	88.5	375	3.79	90	RF, EU, V
		1800	100L	230/460 V	BA4M004V4C	\$910	89.5	375	5.01	90	RF, EU, V
		1800	100L	575 V	BA4M004V5C	\$910	89.5	375	4.01	90	RF, EU, V
		1200	132S	230/460 V	BA6M004V4C	\$1,458	89.5	500	6.01	160	RF, EU, V, PA
		1200	132S	575 V	BA6M004V5C	\$1,458	89.5	500	4.81	160	RF, EU, V, PA
5.5	4	3600	112M	230/460 V	BA2M5.5V4C	\$1,045	88.5	402	6.23	110	RF, EU, V
		3600	112M	575 V	BA2M5.5V5C	\$1,045	88.5	402	4.99	110	RF, EU, V
		1800	112M	230/460 V	BA4M5.5V4C	\$1,037	89.5	402	6.76	110	RF, EU, V
		1800	112M	575 V	BA4M5.5V5C	\$1,037	89.5	402	7.47	110	RF, EU, V
		1200	132M	230/460 V	BA6M5.5V4C	\$1,695	89.5	500	7.38	160	RF, EU, V, PA
		1200	132M	575 V	BA6M5.5V5C	\$1,695	89.5	500	5.90	160	RF, EU, V, PA
7.5	5.5	3600	132S	230/460 V	BA2M7.5V4C	\$1,373	89.5	500	8.57	140	RF, EU, V
		3600	132S	575 V	BA2M7.5V5C	\$1,373	89.5	500	6.86	140	RF, EU, V
		1800	132S	230/460 V	BA4M7.5V4C	\$1,473	91.7	500	8.96	140	RF, EU, V
		1800	132S	575 V	BA4M7.5V5C	\$1,473	91.7	500	7.17	140	RF, EU, V
		1200	132M	230/460 V	PA6M7.5-2C	\$1,914	91	500	10.60	160	RF, EU
		1200	132M	575 V	PA6M7.5-5C	\$1,914	91	500	8.50	160	RF, EU
10	7.5	3600	132S	230/460 V	BA2M010V4C	\$1,491	90.2	500	11.50	140	RF, EU, V
		3600	132S	575 V	BA2M010V5C	\$1,491	90.2	500	9.17	140	RF, EU, V
		1800	132M	230/460 V	BA4M010V4C	\$1,819	91.7	500	12.20	160	RF, EU, V
		1800	132M	575 V	BA4M010V5C	\$1,819	91.7	500	9.78	160	RF, EU, V
		1200	160M	230/460 V	BA6M010V4C	\$2,678	91	604	12.80	260	RF, EU, V, TM
		1200	160M	575 V	BA6M010V5C	\$2,678	91	604	10.20	260	RF, EU, V, TM
15	11	3600	160M	230/460 V	BA2M015V4C	\$2,520	91	604	16.70	260	RF, EU, V, TM
		3600	160M	575 V	BA2M015V5C	\$2,520	91	604	13.30	260	RF, EU, V, TM
		1800	160M	230/460 V	BA4M015V4C	\$2,624	92.4	604	17.60	260	RF, EU, V, TM
		1800	160M	575 V	BA4M015V5C	\$2,624	92.4	604	14.10	260	RF, EU, V, TM
		1200	160L	230/460 V	BA6M015V4C	\$3,386	91.7	604	18.10	290	RF, EU, V, TM
		1200	160L	575 V	BA6M015V5C	\$3,386	91.7	604	14.50	290	RF, EU, V, TM
20	15	3600	160M	230/460 V	BA2M020V4C	\$2,799	91	604	22.50	260	RF, EU, V, TM
		3600	160M	575 V	BA2M020V5C	\$2,799	91	604	18.00	260	RF, EU, V, TM
		1800	160L	230/460 V	BA4M020V4C	\$3,175	93	604	23.50	280	RF, EU, V, TM
		1800	160L	575 V	BA4M020V5C	\$3,175	93	604	26.00	280	RF, EU, V, TM
25	18.5	3600	160L	230/460 V	BA2M025V4C	\$3,156	91.7	604	27.80	290	RF, EU, V, TM
		3600	160L	575 V	BA2M025V5C	\$3,156	91.7	604	22.30	290	RF, EU, V, TM

Discount Category **17**

**W Series IEC 63-180L, 3 Phase - TEFC  
B5 (D-Flange With B3 Removable Feet) - Cast Aluminum**

HP	Kw	RPM	Frame	Voltage	P/N	List	FL Eff.	L Dim. (mm)	FL Amps	LBS	Notes
0.25	0.18	3600	63	230/460 V	BA2M.25V4D	\$242	64	207	0.60	14	RF, EU, V, TA
		3600	63	575 V	BA2M.25V5D	\$242	64	207	0.40	14	RF, EU, V, TA
		1800	63	230/460 V	BA4M.25V4D	\$252	58	207	0.80	14	RF, EU, V, TA
		1800	63	575 V	BA4M.25V5D	\$252	58	207	0.60	14	RF, EU, V, TA
		1200	71	230/460 V	BA6M.25V4D	\$301	61	238	0.80	20	RF, EU, V
		1200	71	575 V	BA6M.25V5D	\$301	61	238	0.60	20	RF, EU, V
		900	80	230/460 V	BA8M.25V4D	\$416	57	278	0.87	26	RF, EU, V
		900	80	575 V	BA8M.25V5D	\$416	57	278	0.70	26	RF, EU, V
0.33	0.25	3600	63	230/460 V	BA2M.33V4D	\$253	65	207	0.60	14	RF, EU, V, TA
		3600	63	575 V	BA2M.33V5D	\$253	65	207	0.50	14	RF, EU, V, TA
		1800	71	230/460 V	BA4M.33V4D	\$299	70	238	0.70	20	RF, EU, V, TA
		1800	71	575 V	BA4M.33V5D	\$299	70	238	0.60	20	RF, EU, V, TA
		1200	71	230/460 V	BA6M.33V4D	\$316	68	238	0.70	20	RF, EU, V
		1200	71	575 V	BA6M.33V5D	\$316	68	238	0.60	20	RF, EU, V
		900	80	230/460 V	BA8M.33V4D	\$472	62	278	0.75	26	RF, EU, V
		900	80	575 V	BA8M.33V5D	\$472	62	278	0.60	26	RF, EU, V
0.50	0.37	3600	71	230/460 V	BA2M.50V4D	\$296	71	238	0.90	20	RF, EU, V, TA
		3600	71	575 V	BA2M.50V5D	\$296	71	238	0.70	20	RF, EU, V, TA
		1800	71	230/460 V	BA4M.50V4D	\$317	73	238	1.00	20	RF, EU, V, TA
		1800	71	575 V	BA4M.50V5D	\$317	73	238	0.80	20	RF, EU, V, TA
		1200	80	230/460 V	BA6M.50V4D	\$388	65	278	1.10	26	RF, EU, V
		1200	80	575 V	BA6M.50V5D	\$388	65	278	0.90	26	RF, EU, V
		900	90S	230/460 V	BA8M.50V4D	\$524	62	350	1.38	32	RF, EU, V
		900	90S	575 V	BA8M.50V5D	\$524	62	350	1.10	32	RF, EU, V
0.75	0.55	3600	71	230/460 V	BA2M.75V4D	\$318	74	238	1.20	20	RF, EU, V, TA
		3600	71	575 V	BA2M.75V5D	\$318	74	238	1.00	20	RF, EU, V, TA
		1800	80	230/460 V	BA4M.75V4D	\$385	77	278	1.40	28	RF, EU, V, TA
		1800	80	575 V	BA4M.75V5D	\$385	77	278	1.10	28	RF, EU, V, TA
		1200	80	230/460 V	BA6M.75V4D	\$417	71	278	1.50	28	RF, EU, V
		1200	80	575 V	BA6M.75V5D	\$417	71	278	1.20	28	RF, EU, V
		900	90L	230/460 V	BA8M.75V4D	\$594	66	350	1.82	32	RF, EU, V
		900	90L	575 V	BA8M.75V5D	\$594	66	350	1.46	32	RF, EU, V
1	0.75	3600	80	230/460 V	BA2M001V4D	\$442	77	278	1.39	32	RF, EU, V, PA
		3600	80	575 V	BA2M001V5D	\$442	77	278	1.11	32	RF, EU, V, PA
		1800	80	230/460 V	PA4M001-2D	\$446	85.5	278	1.59	32	RF, EU
		1800	80	575 V	PA4M001-5D	\$446	85.5	278	1.28	32	RF, EU
		1200	90S	230/460 V	BA6M001V4D	\$616	82.5	350	1.61	32	RF, EU, V, PA
		1200	90S	575 V	BA6M001V5D	\$616	82.5	350	1.29	32	RF, EU, V, PA
1.5	1.1	3600	80	230/460 V	BA2M1.5V4D	\$503	84	278	2.32	32	RF, EU, V, PA
		3600	80	575 V	BA2M1.5V5D	\$503	84	278	1.86	32	RF, EU, V, PA
		1800	90S	230/460 V	BA4M1.5V4D	\$599	86.5	350	2.05	48	RF, EU, V
		1800	90S	575 V	BA4M1.5V5D	\$599	86.5	350	1.64	48	RF, EU, V
2	1.5	3600	90S	230/460 V	BA2M002V4D	\$618	85.5	350	2.47	48	RF, EU, V
		3600	90S	575 V	BA2M002V5D	\$618	85.5	350	1.98	48	RF, EU, V
		1800	90L	230/460 V	BA4M002V4D	\$674	86.5	350	2.65	54	RF, EU, V
		1800	90L	575 V	BA4M002V5D	\$674	86.5	350	2.12	54	RF, EU, V

**Discount Category 17**

IEC/Metric Aluminum  
IEC/Metric Cast Iron  
ATEX EEXD IIB Explosion Proof  
ATEX EEXDE IIC Explosion Proof  
ATEX EEXNA Non-Sparking  
IEC/Metric Brake Motor

IEC/Metric  
Aluminum

IEC/Metric  
Cast Iron

ATEX EEXD IIB  
Explosion Proof

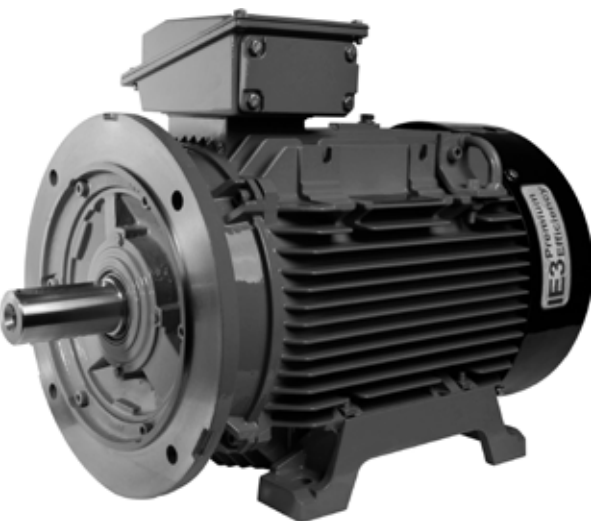
ATEX EEXDE IIC  
Explosion Proof

ATEX EEXNA  
Non-Sparking

IEC/Metric  
Brake Motor

HP	Kw	RPM	Frame	Voltage	P/N	List	FL Eff.	L Dim. (mm)	FL Amps	LBS	Notes
3	2.2	3600	90L	230/460 V	BA2M003V4D	\$692	86.5	350	3.55	50	RF, EU, V
		3600	90L	575 V	BA2M003V5D	\$692	86.5	350	2.84	50	RF, EU, V
		1800	100L	230/460 V	BA4M003V4D	\$838	89.5	375	3.76	92	RF, EU, V
		1800	100L	575 V	BA4M003V5D	\$838	89.5	375	3.01	92	RF, EU, V
		1200	112M	230/460 V	PA6M003-2D	\$1,111	89.5	402	4.20	100	RF, EU
		1200	112M	575 V	PA6M003-5D	\$1,111	89.5	402	3.40	100	RF, EU
4	3	3600	100L	230/460 V	BA2M004V4D	\$901	88.5	375	4.73	90	RF, EU, V
		3600	100L	575 V	BA2M004V5D	\$901	88.5	375	3.79	90	RF, EU, V
		1800	100L	230/460 V	BA4M004V4D	\$910	89.5	375	5.01	90	RF, EU, V
		1800	100L	575 V	BA4M004V5D	\$910	89.5	375	4.01	90	RF, EU, V
		1200	132S	230/460 V	BA6M004V4D	\$1,458	89.5	500	6.01	160	RF, EU, V, PA
		1200	132S	575 V	BA6M004V5D	\$1,458	89.5	500	4.81	160	RF, EU, V, PA
5.5	4	3600	112M	230/460 V	BA2M5.5V4D	\$1,045	88.5	402	6.23	110	RF, EU, V
		3600	112M	575 V	BA2M5.5V5D	\$1,045	88.5	402	4.99	110	RF, EU, V
		1800	112M	230/460 V	BA4M5.5V4D	\$1,037	89.5	402	6.76	110	RF, EU, V
		1800	112M	575 V	BA4M5.5V5D	\$1,037	89.5	402	7.47	110	RF, EU, V
		1200	132M	230/460 V	BA6M5.5V4D	\$1,695	89.5	500	7.38	160	RF, EU, V, PA
		1200	132M	575 V	BA6M5.5V5D	\$1,695	89.5	500	5.90	160	RF, EU, V, PA
7.5	5.5	3600	132S	230/460 V	BA2M7.5V4D	\$1,373	89.5	500	8.57	140	RF, EU, V
		3600	132S	575 V	BA2M7.5V5D	\$1,373	89.5	500	6.86	140	RF, EU, V
		1800	132S	230/460 V	BA4M7.5V4D	\$1,473	91.7	500	8.96	140	RF, EU, V
		1800	132S	575 V	BA4M7.5V5D	\$1,473	91.7	500	7.17	140	RF, EU, V
		1200	132M	230/460 V	PA6M7.5-2D	\$1,914	91	500	10.60	160	RF, EU
		1200	132M	575 V	PA6M7.5-5D	\$1,914	91	500	8.50	160	RF, EU
10	7.5	3600	132S	230/460 V	BA2M010V4D	\$1,491	90.2	500	11.50	140	RF, EU, V
		3600	132S	575 V	BA2M010V5D	\$1,491	90.2	500	9.17	140	RF, EU, V
		1800	132M	230/460 V	BA4M010V4D	\$1,819	91.7	500	12.20	160	RF, EU, V
		1800	132M	575 V	BA4M010V5D	\$1,819	91.7	500	9.78	160	RF, EU, V
		1200	160M	230/460 V	BA6M010V4D	\$2,678	91	604	12.80	260	RF, EU, V, TM
		1200	160M	575 V	BA6M010V5D	\$2,678	91	604	10.20	260	RF, EU, V, TM
15	11	3600	160M	230/460 V	BA2M015V4D	\$2,520	91	604	16.70	260	RF, EU, V, TM
		3600	160M	575 V	BA2M015V5D	\$2,520	91	604	13.30	260	RF, EU, V, TM
		1800	160M	230/460 V	BA4M015V4D	\$2,624	92.4	604	17.60	260	RF, EU, V, TM
		1800	160M	575 V	BA4M015V5D	\$2,624	92.4	604	14.10	260	RF, EU, V, TM
		1200	160L	230/460 V	BA6M015V4D	\$3,386	91.7	604	18.10	290	RF, EU, V, TM
		1200	160L	575 V	BA6M015V5D	\$3,386	91.7	604	14.50	290	RF, EU, V, TM
20	15	3600	160M	230/460 V	BA2M020V4D	\$2,799	91	604	22.50	260	RF, EU, V, TM
		3600	160M	575 V	BA2M020V5D	\$2,799	91	604	18.00	260	RF, EU, V, TM
		1800	160L	230/460 V	BA4M020V4D	\$3,175	93	604	23.50	290	RF, EU, V, TM
		1800	160L	575 V	BA4M020V5D	\$3,175	93	604	26.00	290	RF, EU, V, TM
		1200	180L	230/460 V	BA6M020V4D	\$4,052	91.7	663	24.40	380	RF, EU, V, TM
		1200	180L	575 V	BA6M020V5D	\$4,052	91.7	663	19.60	380	RF, EU, V, TM
25	18.5	3600	160L	230/460 V	BA2M025V4D	\$3,156	91.7	604	27.80	295	RF, EU, V, TM
		3600	160L	575 V	BA2M025V4D	\$3,156	91.7	604	27.80	295	RF, EU, V, TM
		1800	180M	230/460 V	BA4M025V4D	\$3,644	93.6	663	28.50	329	RF, EU, V, TM
		1800	180M	575 V	BA4M025V4D	\$3,644	93.6	663	28.50	329	RF, EU, V, TM
30	22	3600	180M	230/460 V	BA2M030V4D	\$4,003	91.7	663	33.50	329	RF, EU, V, TM
		3600	180M	575 V	BA2M030V4D	\$4,003	91.7	663	33.50	329	RF, EU, V, TM
		1800	180L	230/460 V	BA4M030V4D	\$4,654	93.6	663	34.30	380	RF, EU, V, TM
		1800	180L	575 V	BA4M030V4D	\$4,654	93.6	663	34.30	380	RF, EU, V, TM

Discount Category **17**



Heavy Duty Cast Iron Construction: Frame, End Brackets, & Conduit Box With Heavy Gauge Steel Fanguard and Non-sparking Fan, for Severe Duty Applications. Features Include:

- NEMA MG1-Part 31 inverter duty 5:1 constant torque, 10:1 variable torque
- 1.25 service factor at 60Hz, 1.0 service factor at 50Hz
- Class F insulation with class B temperature rise
- IP55 degree of protection for washdown duty enclosure
- Full contact shaft seals inside both brackets for increased protection against contaminants
- Removable/ repositionable feet for easy conversion to terminal box on top, left, right, or round body configuration
- IEC style terminal blocks included inside junction box
- Meets IEC 60034 electrical performance and IEC 60072 dimensional standards
- Dual rated 60/50Hz at same HP
- Cast iron conduit box with drilled and tapped entry is rotatable in 90 degree increments
- CSA approved for Class I; Division 2; Groups A, B, C & D, Zone 2; Groups IIA & IIB T3 with VFD
- Internal tropicproof
- Thermistors included in motors 160M and above. 1 per phase
- 3 year warranty

IEC/Metric  
Aluminum

IEC/Metric  
Cast Iron

ATEX EEXD IIB  
Explosion Proof

ATEX EEXDE IIC  
Explosion Proof

ATEX EEXNA  
Non-Sparking

IEC/Metric  
Brake Motor

IEC/Metric  
Aluminum

IEC/Metric  
Cast Iron

ATEX EEXD IIB  
Explosion Proof

ATEX EEXDE IIC  
Explosion Proof

ATEX EEXNA  
Non-Sparking

IEC/Metric  
Brake Motor

HP	Kw	RPM	Frame	Voltage	P/N	List	FL Eff.	L Dim. (mm)	FL Amps	LBS	Notes
1	0.75	3600	80	230/460 V	BC2M001V4	\$476	77	278	1.40	42	RF, EU, V
		3600	80	575 V	BC2M001V5	\$476	77	278	1.12	42	RF, EU, V
		1800	80	230/460 V	PC4M001-4	\$471	85.5	278	1.43	42	RF, EU
		1800	80	575 V	PC4M001-5	\$471	85.5	278	1.14	42	RF, EU
		1200	90S	230/460 V	BC6M001V4	\$566	82.5	350	1.61	58	RF, EU, V
		1200	90S	575 V	BC6M001V5	\$566	82.5	350	1.29	58	RF, EU, V
1.5	1.1	3600	80	230/460 V	BC2M1.5V4	\$453	84	278	2.32	42	RF, EU, V
		3600	80	575 V	BC2M1.5V5	\$453	84	278	1.86	42	RF, EU, V
		1800	90S	230/460 V	BC4M1.5V4	\$549	86.5	350	2.05	58	RF, EU, V
		1800	90S	575 V	BC4M1.5V5	\$549	86.5	350	1.64	58	RF, EU, V
2	1.5	3600	90S	230/460 V	BC2M002V4	\$568	85.5	350	2.47	58	RF, EU, V
		3600	90S	575 V	BC2M002V5	\$568	85.5	350	1.98	58	RF, EU, V
		1800	90L	230/460 V	BC4M002V4	\$624	86.5	350	2.65	60	RF, EU, V
		1800	90L	575 V	BC4M002V5	\$624	86.5	350	2.12	60	RF, EU, V
3	2.2	3600	90L	230/460 V	BC2M003V4	\$642	86.5	350	3.55	60	RF, EU, V
		3600	90L	575 V	BC2M003V5	\$642	86.5	350	2.84	60	RF, EU, V
		1800	100L	230/460 V	BC4M003V4	\$768	89.5	394	3.76	124	RF, EU, V
		1800	100L	575 V	BC4M003V5	\$768	89.5	394	3.01	124	RF, EU, V
		1200	112M	230/460 V	PC6M003-4	\$1,041	89.5	402	4.20	136	RF, EU
		1200	112M	575 V	PC6M003-5	\$1,041	89.5	402	3.40	136	RF, EU
4	3	3600	100L	230/460 V	BC2M004V4	\$831	88.5	394	4.73	124	RF, EU, V
		3600	100L	575 V	BC2M004V5	\$831	88.5	394	3.79	124	RF, EU, V
		1800	100L	230/460 V	BC4M004V4	\$840	89.5	394	5.01	124	RF, EU, V
		1800	100L	575 V	BC4M004V5	\$840	89.5	394	4.01	124	RF, EU, V
		1200	132S	230/460 V	BC6M004V4	\$1,333	89.5	500	6.01	204	RF, EU, V
		1200	132S	575 V	BC6M004V5	\$1,333	89.5	500	4.81	204	RF, EU, V
5.5	4	3600	112M	230/460 V	BC2M5.5V4	\$965	88.5	402	6.23	136	RF, EU, V
		3600	112M	575 V	BC2M5.5V5	\$965	88.5	402	4.99	136	RF, EU, V
		1800	112M	230/460 V	BC4M5.5V4	\$957	89.5	402	6.76	136	RF, EU, V
		1800	112M	575 V	BC4M5.5V5	\$957	89.5	402	7.47	136	RF, EU, V
		1200	132M	230/460 V	BC6M5.5V4	\$1,570	89.5	500	7.38	220	RF, EU, V
		1200	132M	575 V	BC6M5.5V5	\$1,570	89.5	500	5.90	220	RF, EU, V
7.5	5.5	3600	132S	230/460 V	BC2M7.5V4	\$1,248	89.5	500	8.57	204	RF, EU, V
		3600	132S	575 V	BC2M7.5V5	\$1,248	89.5	500	6.86	204	RF, EU, V
		1800	132S	230/460 V	BC4M7.5V4	\$1,348	91.7	500	8.96	204	RF, EU, V
		1800	132S	575 V	BC4M7.5V5	\$1,348	91.7	500	7.17	204	RF, EU, V
		1200	132M	230/460 V	PC6M7.5-4	\$1,789	91	500	10.60	220	RF, EU
		1200	132M	575 V	PC6M7.5-5	\$1,789	91	500	8.48	220	RF, EU
10	7.5	3600	132S	230/460 V	BC2M010V4	\$1,366	90.2	500	11.50	204	RF, EU, V
		3600	132S	575 V	BC2M010V5	\$1,366	90.2	500	9.17	204	RF, EU, V
		1800	132M	230/460 V	BC4M010V4	\$1,694	91.7	500	12.20	220	RF, EU, V
		1800	132M	575 V	BC4M010V5	\$1,694	91.7	500	9.78	220	RF, EU, V
		1200	160M	230/460 V	BC6M010V4	\$2,453	91	604	12.80	320	RF, EU, V, TM, RG
		1200	160M	575 V	BC6M010V5	\$2,453	91	604	10.20	320	RF, EU, V, TM, RG
15	11	3600	160M	230/460 V	BC2M015V4	\$2,295	91	604	16.70	320	RF, EU, V, TM, RG
		3600	160M	575 V	BC2M015V5	\$2,295	91	604	13.30	320	RF, EU, V, TM, RG
		1800	160M	230/460 V	BC4M015V4	\$2,399	92.4	604	17.60	320	RF, EU, V, TM, RG
		1800	160M	575 V	BC4M015V5	\$2,399	92.4	604	14.10	320	RF, EU, V, TM, RG
		1200	160L	230/460 V	BC6M015V4	\$3,161	91.7	604	18.10	374	RF, EU, V, TM, RG
		1200	160L	575 V	BC6M015V5	\$3,161	91.7	604	14.50	374	RF, EU, V, TM, RG

Discount Category **18**

**W Series IEC 80-315L - TEFC  
B3 (Foot Mount) - Cast Iron**

HP	Kw	RPM	Frame	Voltage	P/N	List	FL Eff.	L Dim. (mm)	FL Amps	LBS	Notes
20	15	3600	160M	230/460 V	BC2M020V4	\$2,574	91	604	22.50	320	RF, EU, V, TM, RG
		3600	160M	575 V	BC2M020V5	\$2,574	91	604	18.00	320	RF, EU, V, TM, RG
		1800	160L	230/460 V	BC4M020V4	\$2,950	93	604	23.50	374	RF, EU, V, TM, RG
		1800	160L	575 V	BC4M020V5	\$2,950	93	604	26.00	374	RF, EU, V, TM, RG
		1200	180L	230/460 V	BC6M020V4	\$3,732	91.7	663	24.40	478	RF, EU, V, TM, RG
		1200	180L	575 V	BC6M020V5	\$3,732	91.7	663	19.60	478	RF, EU, V, TM, RG
25	18.5	3600	160L	230/460 V	BC2M025V4	\$2,931	91.7	604	27.80	374	RF, EU, V, TM, RG
		3600	160L	575 V	BC2M025V5	\$2,931	91.7	604	22.30	374	RF, EU, V, TM, RG
		1800	180M	230/460 V	BC4M025V4	\$3,324	93.6	663	28.50	478	RF, EU, V, TM, RG
		1800	180M	575 V	BC4M025V5	\$3,324	93.6	663	22.80	478	RF, EU, V, TM, RG
		1200	200L	230/460 V	BC6M025-4	\$4,670	93	810	30.10	602	RF, EU, TM, RG
		1200	200L	575 V	BC6M025-5	\$4,670	93	810	24.10	602	RF, EU, TM, RG
30	22	3600	180M	230/460 V	BC2M030V4	\$3,778	91.7	663	33.50	478	RF, EU, V, TM, RG
		3600	180M	575 V	BC2M030V5	\$3,778	91.7	663	26.80	478	RF, EU, V, TM, RG
		1800	180L	230/460 V	BC4M030V4	\$4,334	93.6	663	34.30	478	RF, EU, V, TM, RG
		1800	180L	575 V	BC4M030V5	\$4,334	93.6	663	27.40	478	RF, EU, V, TM, RG
		1200	200L	230/460 V	BC6M030-4	\$5,453	93	810	38.00	650	RF, EU, TM, RG
		1200	200L	575 V	BC6M030-5	\$5,453	93	810	30.40	650	RF, EU, TM, RG
40	30	3600	200L	230/460 V	BC2M040-4	\$5,398	93	810	46.00	650	RF, EU, TM, RG
		3600	200L	575 V	BC2M040-5	\$5,398	93	810	36.80	650	RF, EU, TM, RG
		1800	200L	230/460 V	BC4M040-4	\$5,574	94.1	810	45.00	650	RF, EU, TM, RG
		1800	200L	575 V	BC4M040-5	\$5,574	94.1	810	36.00	650	RF, EU, TM, RG
		1200	225M	230/460 V	BC6M040-4	\$7,174	94.1	875	46.80	1050	RF, EU, TM, RG
		1200	225M	575 V	BC6M040-5	\$7,174	94.1	875	37.44	1050	RF, EU, TM, RG
50	37	3600	200L	230/460 V	BC2M050-4	\$5,965	93.6	810	57.00	650	RF, EU, TM, RG
		3600	200L	575 V	BC2M050-5	\$5,965	93.6	810	45.60	650	RF, EU, TM, RG
		1800	225S	230/460 V	BC4M050-4	\$6,881	94.5	875	58.00	914	RF, EU, TM, RG
		1800	225S	575 V	BC4M050-5	\$6,881	94.5	875	46.40	914	RF, EU, TM, RG
		1200	250M	230/460 V	BC6M050-4	\$8,833	94.1	985	57.60	1384	RF, EU, TM, RG
		1200	250M	575 V	BC6M050-5	\$8,833	94.1	985	46.08	1384	RF, EU, TM, RG
60	45	3600	225M	230/460 V	BC2M060-4	\$7,453	93.6	885	66.00	1050	RF, EU, TM, RG
		3600	225M	575 V	BC2M060-5	\$7,453	93.6	885	52.80	1050	RF, EU, TM, RG
		1800	225M	230/460 V	BC4M060-4	\$7,698	95	915	68.00	1050	RF, EU, TM, RG
		1800	225M	575 V	BC4M060-5	\$7,698	95	915	54.40	1050	RF, EU, TM, RG
		1200	<b>*BS-250M</b>	<b>230/460 V</b>	<b>BC6M060-4S</b>	<b>\$10,991</b>	<b>93.6</b>	<b>985</b>	<b>70.00</b>	<b>1384</b>	<b>RF, BS, TM, RG</b>
		1200	<b>*BS-250M</b>	<b>575 V</b>	<b>BC6M060-5S</b>	<b>\$10,991</b>	<b>93.6</b>	<b>985</b>	<b>56.00</b>	<b>1384</b>	<b>RF, BS, TM, RG</b>
		1200	280S	230/460 V	BC6M060-4	\$11,870	94.5	1030	70.00	1512	RF, EU, TM, RG
		1200	280S	575 V	BC6M060-5	\$11,870	94.5	1030	56.00	1512	RF, EU, TM, RG
75	55	3600	<b>*BS-250S</b>	<b>230/460 V</b>	<b>BC2M075-4S</b>	<b>\$9,310</b>	<b>95.4</b>	<b>985</b>	<b>79.30</b>	<b>1384</b>	<b>RF, BS, TM, RG</b>
		3600	<b>*BS-250S</b>	<b>575 V</b>	<b>BC2M075-5S</b>	<b>\$9,310</b>	<b>95.4</b>	<b>985</b>	<b>63.44</b>	<b>1384</b>	<b>RF, BS, TM, RG</b>
		3600	250M	230/460 V	BC2M075-4	\$9,310	93.6	985	79.30	1384	RF, EU, TM, RG
		3600	250M	575 V	BC2M075-5	\$9,310	93.6	985	63.44	1384	RF, EU, TM, RG
		1800	<b>*BS-250S</b>	<b>230/460 V</b>	<b>BC4M075-4S</b>	<b>\$9,539</b>	<b>95.4</b>	<b>985</b>	<b>81.30</b>	<b>1384</b>	<b>RF, BS, TM, RG</b>
		1800	<b>*BS-250S</b>	<b>575 V</b>	<b>BC4M075-5S</b>	<b>\$9,539</b>	<b>95.4</b>	<b>985</b>	<b>65.04</b>	<b>1384</b>	<b>RF, BS, TM, RG</b>
		1800	250M	230/460 V	BC4M075-4	\$9,539	95.4	985	81.30	1384	RF, EU, TM, RG
		1800	250M	575 V	BC4M075-5	\$9,539	95.4	985	65.04	1384	RF, EU, TM, RG
		1200	<b>*BS-280S</b>	<b>230/460 V</b>	<b>BC6M075-4S</b>	<b>\$12,495</b>	<b>94.1</b>	<b>1030</b>	<b>87.70</b>	<b>1512</b>	<b>RF, BS, TM, RG</b>
		1200	<b>*BS-280S</b>	<b>575 V</b>	<b>BC6M075-5S</b>	<b>\$12,495</b>	<b>94.1</b>	<b>1030</b>	<b>70.10</b>	<b>1512</b>	<b>RF, BS, TM, RG</b>
		1200	280M	230/460 V	BC6M075-4	\$12,495	94.5	1070	87.70	1896	RF, EU, TM, RG
		1200	280M	575 V	BC6M075-5	\$12,495	94.5	1070	70.10	1896	RF, EU, TM, RG

Discount Category **18**

\*Motor Part Numbers Ending in "S" Have British Standard Dimensions

IEC/Metric  
Aluminum

IEC/Metric  
Cast Iron

ATEX EEXD IIB  
Explosion Proof

ATEX EEXDE IIC  
Explosion Proof

ATEX EEXNA  
Non-Sparking

IEC/Metric  
Brake Motor

IEC/Metric Aluminum
IEC/Metric Cast Iron
ATEX EEXD IIB Explosion Proof
ATEX EEXDE IIC Explosion Proof
ATEX EEXNA Non-Sparking
IEC/Metric Brake Motor

HP	Kw	RPM	Frame	Voltage	P/N	List	FL Eff.	L Dim. (mm)	FL Amps	LBS	Notes
100	75	3600	*BS-250M	230/460 V	BC2M100-4S	\$11,514	94.1	985	110.00	1384	RF, BS, TM, RG
		3600	*BS-250M	575 V	BC2M100-5S	\$11,514	94.1	985	88.00	1384	RF, BS, TM, RG
		3600	280S	230/460 V	BC2M100-4	\$12,464	94.1	1030	110.00	1512	RF, EU, TM, RG
		3600	280S	575 V	BC2M100-5	\$12,464	94.1	1030	88.00	1512	RF, EU, TM, RG
		1800	*BS-250M	230/460 V	BC4M100-4S	\$11,989	94.1	985	116.00	1384	RF, BS, TM, RG
		1800	*BS-250M	575 V	BC4M100-5S	\$11,989	94.1	985	92.80	1384	RF, BS, TM, RG
		1800	280SE	230/460 V	BC4M100-4	\$12,948	95.4	1030	116.00	1512	RF, EU, TM, RG
		1800	280SE	575 V	BC4M100-5	\$12,948	95.4	1030	92.80	1512	RF, EU, TM, RG
		1200	*BS-280M	230/460 V	BC6M100-4S	\$21,915	94.5	1070	115.00	1896	RF, BS, TM, RG
		1200	*BS-280M	575 V	BC6M100-5S	\$21,915	94.5	1070	92.00	1896	RF, BS, TM, RG
		1200	315S	230/460 V	BC6M100-4	\$23,668	95	1070	115.00	2354	RF, EU, TM, RG
		1200	315S	575 V	BC6M100-5	\$23,668	95	1070	92.00	2354	RF, EU, TM, RG
125	90	3600	*BS-280S	460 V	BC2M125-9S	\$13,197	95.4	1030	137.00	1512	RF, BS, TM, RG
		3600	*BS-280S	575 V	BC2M125-5S	\$13,197	95.4	1030	109.60	1512	RF, BS, TM, RG
		3600	280M	460 V	BC2M125-9	\$13,197	95	1070	137.00	1896	RF, EU, TM, RG
		3600	280M	575 V	BC2M125-5	\$13,197	95	1070	109.60	1896	RF, EU, TM, RG
		1800	*BS-280S	460 V	BC4M125-9S	\$13,596	95.4	1030	144.00	1512	RF, BS, TM, RG
		1800	*BS-280S	575 V	BC4M125-5S	\$13,596	95.4	1030	115.20	1512	RF, BS, TM, RG
		1800	280M	460 V	BC4M125-9	\$13,596	95.4	1070	144.00	1896	RF, EU, TM, RG
		1800	280M	575 V	BC4M125-5	\$13,596	95.4	1070	115.20	1896	RF, EU, TM, RG
		1200	*BS-315S	460 V	BC6M125-9S	\$23,852	95	1115	145.00	2354	RF, BS, TM, RG
		1200	*BS-315S	575 V	BC6M125-5S	\$23,852	95	1115	116.00	2354	RF, BS, TM, RG
		1200	315M	460 V	BC6M125-9	\$23,852	95	1215	145.00	2533	RF, EU, TM, RG
		1200	315M	575 V	BC6M125-5	\$23,852	95	1215	116.00	2533	RF, EU, TM, RG
150	110	3600	*BS-280M	460 V	BC2M150-9S	\$24,302	95	1070	161.00	1896	RF, BS, TM, RG
		3600	*BS-280M	575 V	BC2M150-5S	\$24,302	95	1070	128.80	1896	RF, BS, TM, RG
		3600	315S	460 V	BC2M150-9	\$26,246	95	1115	161.00	2354	RF, EU, TM, RG
		3600	315S	575 V	BC2M150-5	\$26,246	95	1115	128.80	2354	RF, EU, TM, RG
		1800	*BS-280M	460 V	BC4M150-9S	\$22,157	95.4	1070	170.00	1896	RF, BS, TM, RG
		1800	*BS-280M	575 V	BC4M150-5S	\$22,157	95.4	1070	136.00	1896	RF, BS, TM, RG
		1800	315S	460 V	BC4M150-9	\$23,930	95.8	1115	170.00	2354	RF, EU, TM, RG
		1800	315S	575 V	BC4M150-5	\$23,930	95.8	1115	136.00	2354	RF, EU, TM, RG
		1200	*BS-315M	460 V	BC6M150-9S	\$26,972	95	1215	170.00	2533	RF, BS, TM, RG
		1200	*BS-315M	575 V	BC6M150-5S	\$26,972	95	1215	136.00	2533	RF, BS, TM, RG
		1200	315L	460 V	BC6M150-9	\$26,972	95.8	1315	170.00	2800	RF, EU, TM, RG
		1200	315L	575 V	BC6M150-5	\$26,972	95.8	1315	136.00	2800	RF, EU, TM, RG
200	150	3600	315M	460 V	BC2M200-9	\$26,591	95.4	1185	215.00	2533	RF, EU, TM, RG
		3600	315M	575 V	BC2M200-5	\$26,591	95.4	1185	172.00	2533	RF, EU, TM, RG
		1800	315M	460 V	BC4M200-9	\$27,611	96.2	1215	221.00	2533	RF, EU, TM, RG
		1800	315M	575 V	BC4M200-5	\$27,611	96.2	1215	176.80	2533	RF, EU, TM, RG

Discount Category **18**

\*Motor Part Numbers Ending in "S" Have British Standard Dimensions

Larger Ratings Available By Special Order in Both Low and Medium Voltage Designs.  
Please Contact Brook Crompton for Pricing.



**W Series IEC 80-315L - TEFC  
B14 (C-Face With B3 Removable Feet) - Cast Iron**

HP	Kw	RPM	Frame	Voltage	P/N	List	FL Eff.	L Dim. (mm)	FL Amps	LBS	Notes
1	0.75	3600	80	230/460 V	BC2M001V4C	\$516	77	278	1.40	52	RF, EU, V
		3600	80	575 V	BC2M001V5C	\$516	77	278	1.12	52	RF, EU, V
		1800	80	230/460 V	PC4M001-4C	\$511	85.5	278	1.43	52	RF, EU
		1800	80	575 V	PC4M001-5C	\$511	85.5	278	1.14	52	RF, EU
		1200	90S	230/460 V	BC6M001V4C	\$616	82.5	350	1.61	68	RF, EU, V
		1200	90S	575 V	BC6M001V5C	\$616	82.5	350	1.29	68	RF, EU, V
1.5	1.1	3600	80	230/460 V	BC2M1.5V4C	\$493	84	278	2.32	52	RF, EU, V
		3600	80	575 V	BC2M1.5V5C	\$493	84	278	1.86	52	RF, EU, V
		1800	90S	230/460 V	BC4M1.5V4C	\$599	86.5	350	2.05	68	RF, EU, V
		1800	90S	575 V	BC4M1.5V5C	\$599	86.5	350	1.64	68	RF, EU, V
2	1.5	3600	90S	230/460 V	BC2M002V4C	\$618	85.5	350	2.47	68	RF, EU, V
		3600	90S	575 V	BC2M002V5C	\$618	85.5	350	1.98	68	RF, EU, V
		1800	90L	230/460 V	BC4M002V4C	\$674	86.5	350	2.65	70	RF, EU, V
		1800	90L	575 V	BC4M002V5C	\$674	86.5	350	2.12	70	RF, EU, V
3	2.2	3600	90L	230/460 V	BC2M003V4C	\$692	86.5	350	3.55	70	RF, EU, V
		3600	90L	575 V	BC2M003V5C	\$692	86.5	350	2.84	70	RF, EU, V
		1800	100L	230/460 V	BC4M003V4C	\$838	89.5	394	3.76	135	RF, EU, V
		1800	100L	575 V	BC4M003V5C	\$838	89.5	394	3.01	135	RF, EU, V
		1200	112M	230/460 V	PC6M003-4C	\$1,111	89.5	402	4.20	146	RF, EU
		1200	112M	575 V	PC6M003-5C	\$1,111	89.5	402	3.40	146	RF, EU
4	3	3600	100L	230/460 V	BC2M004V4C	\$901	88.5	394	4.73	135	RF, EU, V
		3600	100L	575 V	BC2M004V5C	\$901	88.5	394	3.79	135	RF, EU, V
		1800	100L	230/460 V	BC4M004V4C	\$910	89.5	394	5.01	135	RF, EU, V
		1800	100L	575 V	BC4M004V5C	\$910	89.5	394	4.01	135	RF, EU, V
		1200	132S	230/460 V	BC6M004V4C	\$1,458	89.5	500	6.01	216	RF, EU, V
		1200	132S	575 V	BC6M004V5C	\$1,458	89.5	500	4.81	216	RF, EU, V
5.5	4	3600	112M	230/460 V	BC2M5.5V4C	\$1,045	88.5	402	6.23	146	RF, EU, V
		3600	112M	575 V	BC2M5.5V5C	\$1,045	88.5	402	4.99	146	RF, EU, V
		1800	112M	230/460 V	BC4M5.5V4C	\$1,037	89.5	402	6.76	146	RF, EU, V
		1800	112M	575 V	BC4M5.5V5C	\$1,037	89.5	402	7.47	146	RF, EU, V
		1200	132M	230/460 V	BC6M5.5V4C	\$1,695	89.5	500	7.38	232	RF, EU, V
		1200	132M	575 V	BC6M5.5V5C	\$1,695	89.5	500	5.90	232	RF, EU, V
7.5	5.5	3600	132S	230/460 V	BC2M7.5V4C	\$1,373	89.5	500	8.57	216	RF, EU, V
		3600	132S	575 V	BC2M7.5V5C	\$1,373	89.5	500	6.86	216	RF, EU, V
		1800	132S	230/460 V	BC4M7.5V4C	\$1,473	91.7	500	8.96	216	RF, EU, V
		1800	132S	575 V	BC4M7.5V5C	\$1,473	91.7	500	7.17	216	RF, EU, V
		1200	132M	230/460 V	PC6M7.5-4C	\$1,914	91	500	10.60	232	RF, EU
		1200	132M	575 V	PC6M7.5-5C	\$1,914	91	500	8.48	232	RF, EU
10	7.5	3600	132S	230/460 V	BC2M010V4C	\$1,491	90.2	500	11.50	216	RF, EU, V
		3600	132S	575 V	BC2M010V5C	\$1,491	90.2	500	9.17	216	RF, EU, V
		1800	132M	230/460 V	BC4M010V4C	\$1,819	91.7	500	12.20	232	RF, EU, V
		1800	132M	575 V	BC4M010V5C	\$1,819	91.7	500	9.78	232	RF, EU, V
		1200	160M	230/460 V	BC6M010V4C	\$2,678	91	604	12.80	332	RF, EU, V, TM, RG
		1200	160M	575 V	BC6M010V5C	\$2,678	91	604	10.20	332	RF, EU, V, TM, RG
15	11	3600	160M	230/460 V	BC2M015V4C	\$2,520	91	604	16.70	332	RF, EU, V, TM, RG
		3600	160M	575 V	BC2M015V5C	\$2,520	91	604	13.30	332	RF, EU, V, TM, RG
		1800	160M	230/460 V	BC4M015V4C	\$2,624	92.4	604	17.60	332	RF, EU, V, TM, RG
		1800	160M	575 V	BC4M015V5C	\$2,624	92.4	604	14.10	332	RF, EU, V, TM, RG
		1200	160L	230/460 V	BC6M015V4C	\$3,386	91.7	604	18.10	386	RF, EU, V, TM, RG
		1200	160L	575 V	BC6M015V5C	\$3,386	91.7	604	14.50	386	RF, EU, V, TM, RG

**Discount Category 18**

IEC/Metric Aluminum  
IEC/Metric Cast Iron  
ATEX EEXD IIB Explosion Proof  
ATEX EEXDE IIC Explosion Proof  
ATEX EEXNA Non-Sparking  
IEC/Metric Brake Motor

IEC/Metric  
Aluminum

HP	Kw	RPM	Frame	Voltage	P/N	List	FL Eff.	L Dim. (mm)	FL Amps	LBS	Notes
20	15	3600	160M	230/460 V	BC2M020V4C	\$2,799	91	604	22.50	332	RF, EU, V, TM, RG
		3600	160M	575 V	BC2M020V5C	\$2,799	91	604	18.00	332	RF, EU, V, TM, RG
		1800	160L	230/460 V	BC4M020V4C	\$3,175	93	604	23.50	386	RF, EU, V, TM, RG
		1800	160L	575 V	BC4M020V5C	\$3,175	93	604	26.00	386	RF, EU, V, TM, RG
25	18.5	3600	160L	230/460 V	BC2M025V4C	\$3,156	91.7	604	27.88	386	RF, EU, V, TM, RG
		3600	160L	575 V	BC2M025V5C	\$3,156	91.7	604	22.30	386	RF, EU, V, TM, RG

IEC/Metric  
Cast Iron

Discount Category **18**

ATEX EEXD IIB  
Explosion Proof

ATEX EEXDE IIC  
Explosion Proof

ATEX EEXNA  
Non-Sparking

IEC/Metric  
Brake Motor

**W Series IEC 80-315L - TEFC  
B5 (D-Flange With B3 Removable Feet) - Cast Iron**



HP	Kw	RPM	Frame	Voltage	P/N	List	FL Eff.	L Dim. (mm)	FL Amps	LBS	Notes
1	0.75	3600	80	230/460 V	BC2M001V4D	\$516	77	278	1.40	52	RF, EU, V
		3600	80	575 V	BC2M001V5D	\$516	77	278	1.12	52	RF, EU, V
		1800	80	230/460 V	PC4M001-4D	\$511	85.5	278	1.43	52	RF, EU
		1800	80	575 V	PC4M001-5D	\$511	85.5	278	1.14	52	RF, EU
		1200	90S	230/460 V	BC6M001V4D	\$616	82.5	350	1.61	70	RF, EU, V
		1200	90S	575 V	BC6M001V5D	\$616	82.5	350	1.29	70	RF, EU, V
1.5	1.1	3600	80	230/460 V	BC2M1.5V4D	\$493	84	278	2.32	52	RF, EU, V
		3600	80	575 V	BC2M1.5V5D	\$493	84	278	1.86	52	RF, EU, V
		1800	90S	230/460 V	BC4M1.5V4D	\$599	86.5	350	2.05	68	RF, EU, V
		1800	90S	575 V	BC4M1.5V5D	\$599	86.5	350	1.64	68	RF, EU, V
2	1.5	3600	90S	230/460 V	BC2M002V4D	\$618	85.5	350	2.47	68	RF, EU, V
		3600	90S	575 V	BC2M002V5D	\$618	85.5	350	1.98	68	RF, EU, V
		1800	90L	230/460 V	BC4M002V4D	\$674	86.5	350	2.65	70	RF, EU, V
		1800	90L	575 V	BC4M002V5D	\$674	86.5	350	2.12	70	RF, EU, V
3	2.2	3600	90L	230/460 V	BC2M003V4D	\$692	86.5	350	3.55	70	RF, EU, V
		3600	90L	575 V	BC2M003V5D	\$692	86.5	350	2.84	70	RF, EU, V
		1800	100L	230/460 V	BC4M003V4D	\$838	89.5	394	3.76	135	RF, EU, V
		1800	100L	575 V	BC4M003V5D	\$838	89.5	394	3.01	135	RF, EU, V
		1200	112M	230/460 V	PC6M003-4D	\$1,111	89.5	402	4.20	146	RF, EU
		1200	112M	575 V	PC6M003-5D	\$1,111	89.5	402	3.40	146	RF, EU
4	3	3600	100L	230/460 V	BC2M004V4D	\$901	88.5	394	4.73	135	RF, EU, V
		3600	100L	575 V	BC2M004V5D	\$901	88.5	394	3.79	135	RF, EU, V
		1800	100L	230/460 V	BC4M004V4D	\$910	89.5	394	5.01	135	RF, EU, V
		1800	100L	575 V	BC4M004V5D	\$910	89.5	394	4.01	135	RF, EU, V
		1200	132S	230/460 V	BC6M004V4D	\$1,458	89.5	500	6.01	216	RF, EU, V
		1200	132S	575 V	BC6M004V5D	\$1,458	89.5	500	4.81	216	RF, EU, V
5.5	4	3600	112M	230/460 V	BC2M5.5V4D	\$1,045	88.5	402	6.23	146	RF, EU, V
		3600	112M	575 V	BC2M5.5V5D	\$1,045	88.5	402	4.99	146	RF, EU, V
		1800	112M	230/460 V	BC4M5.5V4D	\$1,037	89.5	402	6.76	146	RF, EU, V
		1800	112M	575 V	BC4M5.5V5D	\$1,037	89.5	402	7.47	146	RF, EU, V
		1200	132M	230/460 V	BC6M5.5V4D	\$1,695	89.5	500	7.38	232	RF, EU, V
		1200	132M	575 V	BC6M5.5V5D	\$1,695	89.5	500	5.90	232	RF, EU, V
7.5	5.5	3600	132S	230/460 V	BC2M7.5V4D	\$1,373	89.5	500	8.57	216	RF, EU, V
		3600	132S	575 V	BC2M7.5V5D	\$1,373	89.5	500	6.86	216	RF, EU, V
		1800	132S	230/460 V	BC4M7.5V4D	\$1,473	91.7	500	8.96	216	RF, EU, V
		1800	132S	575 V	BC4M7.5V5D	\$1,473	91.7	500	7.17	216	RF, EU, V
		1200	132M	230/460 V	PC6M7.5-4D	\$1,914	91	500	10.60	232	RF, EU
		1200	132M	575 V	PC6M7.5-5D	\$1,914	91	500	8.48	232	RF, EU
10	7.5	3600	132S	230/460 V	BC2M010V4D	\$1,491	90.2	500	11.50	216	RF, EU, V
		3600	132S	575 V	BC2M010V5D	\$1,491	90.2	500	9.17	216	RF, EU, V
		1800	132M	230/460 V	BC4M010V4D	\$1,819	91.7	500	12.20	232	RF, EU, V
		1800	132M	575 V	BC4M010V5D	\$1,819	91.7	500	9.78	232	RF, EU, V
		1200	160M	230/460 V	BC6M010V4D	\$2,678	91	604	12.80	332	RF, EU, V, TM, RG
		1200	160M	575 V	BC6M010V5D	\$2,678	91	604	10.20	332	RF, EU, V, TM, RG
15	11	3600	160M	230/460 V	BC2M015V4D	\$2,520	91	604	16.70	332	RF, EU, V, TM, RG
		3600	160M	575 V	BC2M015V5D	\$2,520	91	604	13.30	332	RF, EU, V, TM, RG
		1800	160M	230/460 V	BC4M015V4D	\$2,624	92.4	604	17.60	332	RF, EU, V, TM, RG
		1800	160M	575 V	BC4M015V5D	\$2,624	92.4	604	14.10	332	RF, EU, V, TM, RG
		1200	160L	230/460 V	BC6M015V4D	\$3,386	91.7	604	18.10	386	RF, EU, V, TM, RG
		1200	160L	575 V	BC6M015V5D	\$3,386	91.7	604	14.50	386	RF, EU, V, TM, RG

**Discount Category 18**

IEC/Metric  
Aluminum

IEC/Metric  
Cast Iron

ATEX EEXD IIB  
Explosion Proof

ATEX EEXDE IIC  
Explosion Proof

ATEX EEXNA  
Non-Sparking

IEC/Metric  
Brake Motor

IEC/Metric  
Aluminum

IEC/Metric  
Cast Iron

ATEX EEXD IIB  
Explosion Proof

ATEX EEXDE IIC  
Explosion Proof

ATEX EEXNA  
Non-Sparking

IEC/Metric  
Brake Motor

HP	Kw	RPM	Frame	Voltage	P/N	List	FL Eff.	L Dim. (mm)	FL Amps	LBS	Notes
20	15	3600	160M	230/460 V	BC2M020V4D	\$2,799	91	604	22.50	332	RF, EU, V, TM, RG
		3600	160M	575 V	BC2M020V5D	\$2,799	91	604	18.00	332	RF, EU, V, TM, RG
		1800	160L	230/460 V	BC4M020V4D	\$3,175	93	604	23.50	386	RF, EU, V, TM, RG
		1800	160L	575 V	BC4M020V5D	\$3,175	93	604	26.00	386	RF, EU, V, TM, RG
		1200	180L	230/460 V	BC6M020V4D	\$4,052	91.7	663	24.40	450	RF, EU, V, TM, RG
		1200	180L	575 V	BC6M020V5D	\$4,052	91.7	663	19.60	450	RF, EU, V, TM, RG
25	18.5	3600	160L	230/460 V	BC2M025V4D	\$3,156	91.7	604	27.80	374	RF, EU, V, TM, RG
		3600	160L	575 V	BC2M025V5D	\$3,156	91.7	604	22.30	374	RF, EU, V, TM, RG
		1800	180M	230/460 V	BC4M025V4D	\$3,644	93.6	663	28.50	478	RF, EU, V, TM, RG
		1800	180M	575 V	BC4M025V5D	\$3,644	93.6	663	22.80	478	RF, EU, V, TM, RG
		1200	200L	230/460 V	BC6M025-4D	\$5,145	93	810	30.10	675	RF, EU, TM, RG
		1200	200L	575 V	BC6M025-5D	\$5,145	93	810	24.10	675	RF, EU, TM, RG
30	22	3600	180M	230/460 V	BC2M030V4D	\$4,003	91.7	663	33.50	478	RF, EU, V, TM, RG
		3600	180M	575 V	BC2M030V5D	\$4,003	91.7	663	26.80	478	RF, EU, V, TM, RG
		1800	180L	230/460 V	BC4M030V4D	\$4,654	93.6	663	34.30	478	RF, EU, V, TM, RG
		1800	180L	575 V	BC4M030V5D	\$4,654	93.6	663	27.40	478	RF, EU, V, TM, RG
		1200	200L	230/460 V	BC6M030-4D	\$5,928	93	810	38.00	675	RF, EU, TM, RG
		1200	200L	575 V	BC6M030-5D	\$5,928	93	810	30.40	675	RF, EU, TM, RG
40	30	3600	200L	230/460 V	BC2M040-4D	\$5,873	93	810	46.00	675	RF, EU, TM, RG
		3600	200L	575 V	BC2M040-5D	\$5,873	93	810	36.80	675	RF, EU, TM, RG
		1800	200L	230/460 V	BC4M040-4D	\$6,049	94.1	810	45.00	675	RF, EU, TM, RG
		1800	200L	575 V	BC4M040-5D	\$6,049	94.1	810	36.00	675	RF, EU, TM, RG
		1200	225M	230/460 V	BC6M040-4D	\$7,829	94.1	875	46.80	1075	RF, EU, TM, RG
		1200	225M	575 V	BC6M040-5D	\$7,829	94.1	875	37.40	1075	RF, EU, TM, RG
50	37	3600	200L	230/460 V	BC2M050-4D	\$6,440	93.6	810	57.00	675	RF, EU, TM, RG
		3600	200L	575 V	BC2M050-5D	\$6,440	93.6	810	45.60	675	RF, EU, TM, RG
		1800	225S	230/460 V	BC4M050-4D	\$7,536	94.5	875	58.00	939	RF, EU, TM, RG
		1800	225S	575 V	BC4M050-5D	\$7,536	94.5	875	46.40	939	RF, EU, TM, RG
		1200	250M	230/460 V	BC6M050-4D	\$9,758	94.1	985	57.60	1439	RF, EU, TM, RG
		1200	250M	575 V	BC6M050-5D	\$9,758	94.1	985	46.10	1439	RF, EU, TM, RG
60	45	3600	225M	230/460 V	BC2M060-4D	\$8,108	93.6	885	66.00	1075	RF, EU, TM, RG
		3600	225M	575 V	BC2M060-5D	\$8,108	93.6	885	52.80	1075	RF, EU, TM, RG
		1800	225M	230/460 V	BC4M060-4D	\$8,353	95	915	68.00	1075	RF, EU, TM, RG
		1800	225M	575 V	BC4M060-5D	\$8,353	95	915	54.40	1075	RF, EU, TM, RG
		1200	<b>*BS-250M</b>	<b>230/460 V</b>	<b>BC6M060-4SD</b>	<b>\$11,916</b>	<b>93.6</b>	<b>985</b>	<b>70.00</b>	<b>1439</b>	<b>RF, BS, TM, RG</b>
		1200	<b>*BS-250M</b>	<b>575 V</b>	<b>BC6M060-5SD</b>	<b>\$11,916</b>	<b>93.6</b>	<b>985</b>	<b>56.00</b>	<b>1439</b>	<b>RF, BS, TM, RG</b>
		1200	280S	230/460 V	BC6M060-4D	\$12,795	94.5	1030	70.00	1567	RF, EU, TM, RG
		1200	280S	575 V	BC6M060-5D	\$12,795	94.5	1030	56.00	1567	RF, EU, TM, RG
75	55	3600	<b>*BS-250S</b>	<b>230/460 V</b>	<b>BC2M075-4SD</b>	<b>\$10,235</b>	<b>95.4</b>	<b>985</b>	<b>79.30</b>	<b>1439</b>	<b>RF, BS, TM, RG</b>
		3600	<b>*BS-250S</b>	<b>575 V</b>	<b>BC2M075-5SD</b>	<b>\$10,235</b>	<b>95.4</b>	<b>985</b>	<b>63.44</b>	<b>1439</b>	<b>RF, BS, TM, RG</b>
		3600	250M	230/460 V	BC2M075-4D	\$10,235	93.6	985	79.30	1439	RF, EU, TM, RG
		3600	250M	575 V	BC2M075-5D	\$10,235	93.6	985	63.44	1439	RF, EU, TM, RG
		1800	<b>*BS-250S</b>	<b>230/460 V</b>	<b>BC4M075-4SD</b>	<b>\$10,464</b>	<b>95.4</b>	<b>985</b>	<b>81.30</b>	<b>1439</b>	<b>RF, BS, TM, RG</b>
		1800	<b>*BS-250S</b>	<b>575 V</b>	<b>BC4M075-5SD</b>	<b>\$10,464</b>	<b>95.4</b>	<b>985</b>	<b>65.04</b>	<b>1439</b>	<b>RF, BS, TM, RG</b>
		1800	250M	230/460 V	BC4M075-4D	\$10,464	95.4	985	81.30	1439	RF, EU, TM, RG
		1800	250M	575 V	BC4M075-5D	\$10,464	95.4	985	65.04	1439	RF, EU, TM, RG
		1200	<b>*BS-280S</b>	<b>230/460 V</b>	<b>BC6M075-4SD</b>	<b>\$13,870</b>	<b>94.1</b>	<b>1030</b>	<b>87.70</b>	<b>1567</b>	<b>RF, BS, TM, RG</b>
		1200	<b>*BS-280S</b>	<b>575 V</b>	<b>BC6M075-5SD</b>	<b>\$13,870</b>	<b>94.1</b>	<b>1030</b>	<b>70.10</b>	<b>1567</b>	<b>RF, BS, TM, RG</b>
		1200	280M	230/460 V	BC6M075-4D	\$13,870	94.5	1070	87.70	1951	RF, EU, TM, RG
		1200	280M	575 V	BC6M075-5D	\$13,870	94.5	1070	70.10	1951	RF, EU, TM, RG

Discount Category **18**

\*Motor Part Numbers Ending in "SD" Have British Standard Dimensions

**W Series IEC 80-315L - TEFC  
B5 (D-Flange With B3 Removable Feet) - Cast Iron**

HP	Kw	RPM	Frame	Voltage	P/N	List	FL Eff.	L Dim. (mm)	FL Amps	LBS	Notes
100	75	3600	*BS-250M	230/460 V	BC2M100-4SD	\$12,439	94.1	985	110.00	1439	RF, BS, TM, RG
		3600	*BS-250M	575 V	BC2M100-5SD	\$12,439	94.1	985	88.00	1439	RF, BS, TM, RG
		3600	280S	230/460 V	BC2M100-4D	\$13,839	94.1	1030	110.00	1567	RF, EU, TM, RG
		3600	280S	575 V	BC2M100-5D	\$13,839	94.1	1030	88.00	1567	RF, EU, TM, RG
		1800	*BS-250M	230/460 V	BC4M100-4SD	\$12,914	94.1	985	116.00	1439	RF, BS, TM, RG
		1800	*BS-250M	575 V	BC4M100-5SD	\$12,914	94.1	985	92.80	1439	RF, BS, TM, RG
		1800	280SE	230/460 V	BC4M100-4D	\$14,323	95.4	1030	116.00	1567	RF, EU, TM, RG
		1800	280SE	575 V	BC4M100-5D	\$14,323	95.4	1030	92.80	1567	RF, EU, TM, RG
		1200	*BS-280M	230/460 V	BC6M100-4SD	\$23,290	94.5	1070	115.00	1951	RF, BS, TM, RG
		1200	*BS-280M	575 V	BC6M100-5SD	\$23,290	94.5	1070	92.00	1951	RF, BS, TM, RG
		1200	315S	230/460 V	BC6M100-4D	\$26,288	95	1070	115.00	2419	RF, EU, TM, RG
		1200	315S	575 V	BC6M100-5D	\$26,288	95	1070	92.00	2419	RF, EU, TM, RG
125	90	3600	*BS-280S	460 V	BC2M125-9SD	\$14,572	95.4	1030	137.00	1567	RF, BS, TM, RG
		3600	*BS-280S	575 V	BC2M125-5SD	\$14,572	95.4	1030	109.60	1567	RF, BS, TM, RG
		3600	280M	460 V	BC2M125-9D	\$14,572	95	1070	137.00	1951	RF, EU, TM, RG
		3600	280M	575 V	BC2M125-5D	\$14,572	95	1070	109.60	1951	RF, EU, TM, RG
		1800	*BS-280S	460 V	BC4M125-9SD	\$14,971	95.4	1030	144.00	1567	RF, BS, TM, RG
		1800	*BS-280S	575 V	BC4M125-5SD	\$14,971	95.4	1030	115.20	1567	RF, BS, TM, RG
		1800	280M	460 V	BC4M125-9D	\$14,971	95.4	1070	144.00	1951	RF, EU, TM, RG
		1800	280M	575 V	BC4M125-5D	\$14,971	95.4	1070	115.20	1951	RF, EU, TM, RG
		1200	*BS-315S	460 V	BC6M125-9SD	\$26,472	95	1115	145.00	2419	RF, BS, TM, RG
		1200	*BS-315S	575 V	BC6M125-5SD	\$26,472	95	1115	116.00	2419	RF, BS, TM, RG
		1200	315M	460 V	BC6M125-9D	\$26,472	95	1215	145.00	2598	RF, EU, TM, RG
		1200	315M	575 V	BC6M125-5D	\$26,472	95	1215	116.00	2598	RF, EU, TM, RG
150	110	3600	*BS-280M	460 V	BC2M150-9SD	\$25,677	95	1070	161.00	1951	RF, BS, TM, RG
		3600	*BS-280M	575 V	BC2M150-5SD	\$25,677	95	1070	128.80	1951	RF, BS, TM, RG
		3600	315S	460 V	BC2M150-9D	\$28,866	95	1115	161.00	2419	RF, EU, TM, RG
		3600	315S	575 V	BC2M150-5D	\$28,866	95	1115	128.80	2419	RF, EU, TM, RG
		1800	*BS-280M	460 V	BC4M150-9SD	\$23,532	95.4	1070	170.00	1951	RF, BS, TM, RG
		1800	*BS-280M	575 V	BC4M150-5SD	\$23,532	95.4	1070	136.00	1951	RF, BS, TM, RG
		1800	315S	460 V	BC4M150-9D	\$26,010	95.8	1115	170.00	2419	RF, EU, TM, RG
		1800	315S	575 V	BC4M150-5D	\$26,010	95.8	1115	136.00	2419	RF, EU, TM, RG
		1200	*BS-315M	460 V	BC6M150-9SD	\$29,592	95	1215	170.00	2598	RF, BS, TM, RG
		1200	*BS-315M	575 V	BC6M150-5SD	\$29,592	95	1215	136.00	2598	RF, BS, TM, RG
		1200	315L	460 V	BC6M150-9D	\$29,592	95.8	1315	170.00	2865	RF, EU, TM, RG
		1200	315L	575 V	BC6M150-5D	\$29,592	95.8	1315	136.00	2865	RF, EU, TM, RG
200	150	3600	315M	460 V	BC2M200-9D	\$29,211	95.4	1185	215.00	2598	RF, EU, TM, RG
		3600	315M	575 V	BC2M200-5D	\$29,211	95.4	1185	172.00	2598	RF, EU, TM, RG
		1800	315M	460 V	BC4M200-9D	\$30,231	96.2	1215	221.00	2598	RF, EU, TM, RG
		1800	315M	575 V	BC4M200-5D	\$30,231	96.2	1215	176.80	2598	RF, EU, TM, RG

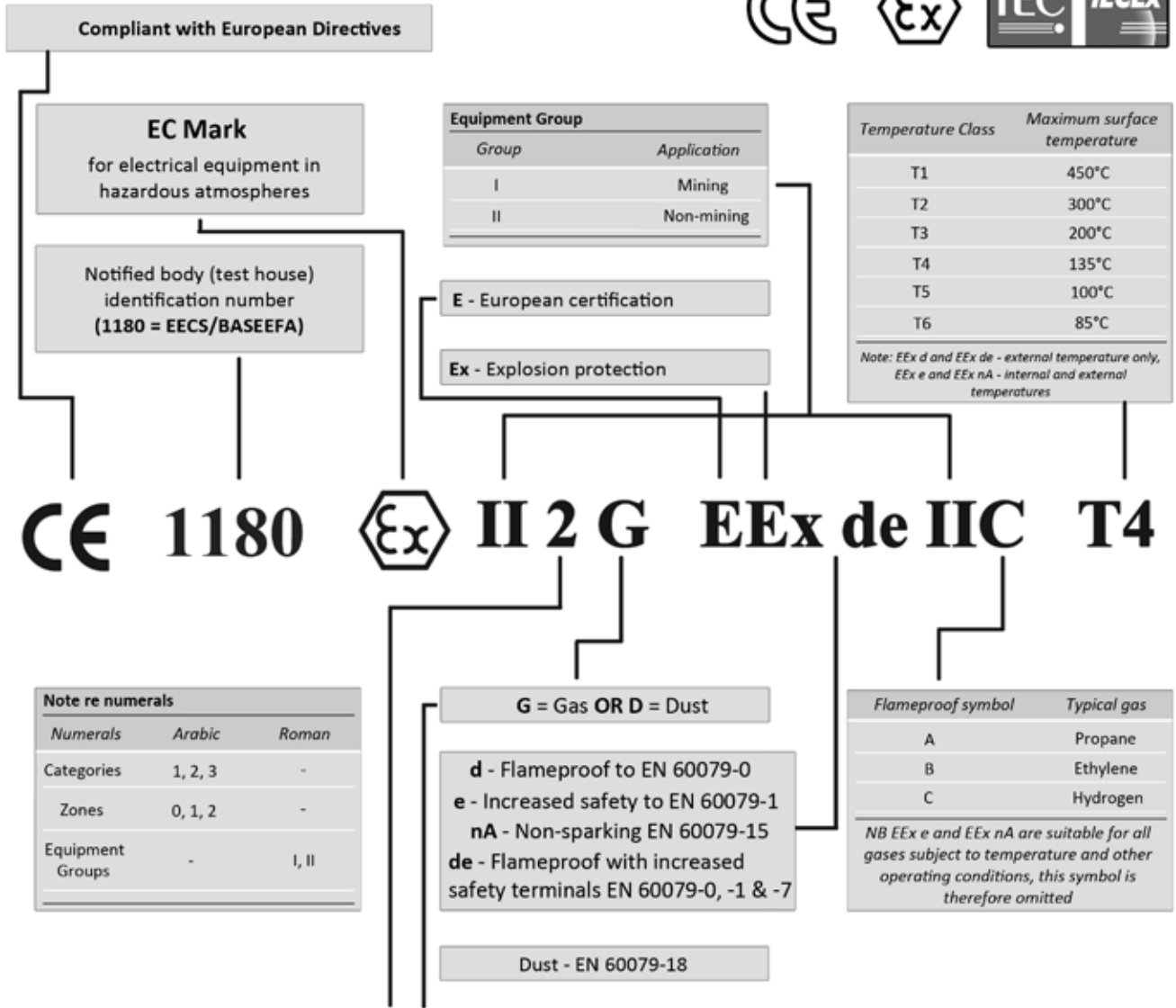
Discount Category **18**

\*Motor Part Numbers Ending in "SD" Have British Standard Dimensions

Larger Ratings Available By Special Order in Both Low and Medium Voltage Designs.  
Please Contact Brook Crompton for Pricing.

IEC/Metric Aluminum  
IEC/Metric Cast Iron  
ATEX EEXD IIB Explosion Proof  
ATEX EEXDE IIC Explosion Proof  
ATEX EEXNA Non-Sparking  
IEC/Metric Brake Motor

- IEC/Metric Aluminum
- IEC/Metric Cast Iron
- ATEX EEXD IIB Explosion Proof
- ATEX EEXDE IIC Explosion Proof
- ATEX EEXNA Non-Sparking
- IEC/Metric Brake Motor



Equipment category		
Gas symbol G	Dust symbol D	Zone Criteria Presence of Gas or Dust
Category 1 Zone 0	Category 1 Zone 20	Continuously or very long period
Category 2 Zone 1	Category 2 Zone 21	Present in normal operation
Category 3 Zone 2	Category 3 Zone 22	Unlikely but if present, then only for a short time

*Note: Category 1, Zone 0 and Zone 20 are not applicable to electric motors*

Dust are marked differently, eg:  
**CE 1180 Ex II 2 D T125°C**  
T125°C = certified external surface temperature



IEC/Metric  
Aluminum

IEC/Metric  
Cast Iron

ATEX EEXD IIB  
Explosion Proof

ATEX EEXDE IIC  
Explosion Proof

ATEX EEXNA  
Non-Sparking

IEC/Metric  
Brake Motor

ATEX/IECex EExd IIB Explosion Proof Motors. Features Include:



- Ex II 2G Ex db IIB T4 Gb
- Motors comply with IEC 60034, IEC 60072, IEC 60079
- Certified by BASEEFA & ATEX, with IECex certification on frame sizes 90S to 180M
- Zone 1, Groups IIA & IIB
- TEFC enclosure
- All motors suitable for T4 applications
- Cast iron construction
- Class F insulation
- Service factor 1.0 50Hz
- 380-415V/660-720V/3PH/50HZ
- 440-480V/3PH/60HZ
- Right mount to left mount terminal box convertible up to 180 frame by factory modification
- 200 frame and above have removable/ repositionable feet for easy conversion to terminal box on top, left, right, or round body configuration
- 3 year warranty

IEC/Metric Aluminum

IEC/Metric Cast Iron

ATEX EEXD IIB Explosion Proof

ATEX EEXDE IIC Explosion Proof

ATEX EEXNA Non-Sparking

IEC/Metric Brake Motor

HP	Kw	RPM	Frame	Voltage	P/N	FL Eff.	L Dim. (mm)	FL Amps	LBS	Notes
1	0.75	1500	EF90S	380-415 V	AB4M001-E	75	308	1.90	66	BS, X, EX, TM
		1000	EF90S	380-415 V	AB6M001-E	65	308	2.40	66	BS, X, EX, TM
1.5	1.1	3000	EF90S	380-415 V	AB2M1.5-E	78	308	2.30	66	BS, X, EX, TM
		1500	EF90S	380-415 V	AB4M1.5-E	77	308	2.70	66	BS, X, EX, TM
2	1.5	1000	EF90L	380-415 V	AB6M1.5-E	70	333	3.20	75	BS, X, EX, TM
		3000	EF90S	380-415 V	AB2M002-E	79	308	3.10	66	BS, X, EX, TM
		1500	EF90L	380-415 V	AB4M002-E	79	333	3.50	75	BS, X, EX, TM
3	2.2	1000	EF100L	380-415 V	AB6M002-E	76	394	4.20	101	BS, X, EX, TM
		3000	EF90L	380-415 V	AB2M003-E	81	333	4.30	75	BS, X, EX, TM
4	3	1500	EF100L	380-415 V	AB4M003-E	81	394	4.80	101	BS, X, EX, TM
		1000	EF112M	380-415 V	AB6M003-E	77	391	5.80	128	BS, X, EX, TM
		3000	EF100L	380-415 V	AB2M004-E	84	394	5.50	101	BS, X, EX, TM
5.5	4	1500	EF100L	380-415 V	AB4M004-E	83	394	6.70	101	BS, X, EX, TM
		1000	EF132S	380-415 V	AB6M004-E	82	467	6.60	176	BS, X, EX, TM
		3000	EF112M	380-415 V	AB2M5.5-E	85	391	7.20	128	BS, X, EX, TM
7.5	5.5	1500	EF112M	380-415 V	AB4M5.5-E	84.5	391	8.10	128	BS, X, EX, TM
		1000	EF132M	380-415 V	AB6M5.5-E	83	505	9.10	212	BS, X, EX, TM
		3000	EF132S	380-415 V	AB2M7.5-E	87	467	9.90	176	BS, X, EX, TM
10	7.5	1500	EF132S	380-415 V	AB4M7.5-E	86	467	10.70	176	BS, X, EX, TM
		1000	EF132M	380-415 V	AB6M7.5-E	85	505	12.30	212	BS, X, EX, TM
		3000	EF132S	380-415 V	AB2M010-E	88	467	13.50	176	BS, X, EX, TM
15	11	1500	EF132M	380-415 V	AB4M010-E	87	505	14.30	212	BS, X, EX, TM
		1000	EF160M	380-415 V	AB6M010-E	87	605	16.00	317	BS, X, EX, TM
		3000	EF160M	380-415 V	AB2M015-E	89	605	19.80	317	BS, X, EX, TM
20	15	1500	EF160M	380-415 V	AB4M015-E	90	605	19.80	317	BS, X, EX, TM
		1000	EF160L	380-415 V	AB6M015-E	87	650	23.10	357	BS, X, EX, TM
		3000	EF160M	380-415 V	AB2M020-E	90	605	26.10	317	BS, X, EX, TM
25	18.5	1500	EF160L	380-415 V	AB4M020-E	90	650	25.80	357	BS, X, EX, TM
		1000	EF180L	380-415 V	AB6M020-E	87.5	710	29.10	492	BS, X, EX, TM
		3000	EF160L	380-415 V	AB2M025-E	91.5	650	32.00	357	BS, X, EX, TM
30	22	1500	EF180M	380-415 V	AB4M025-E	91	672	32.00	458	BS, X, EX, TM
		1000	EF200L	380-415 V	358E314WC-00	91	810	35.00	750	BS, X, TM, RF
		3000	EF180M	380-415 V	AB2M030-E	91.5	672	36.00	458	BS, X, EX, TM
40	30	1500	EF180L	380-415 V	AB4M030-E	91	710	40.00	492	BS, X, EX, TM
		1000	EF200L	380-415 V	358E315WC-00	91.5	810	42.00	750	BS, X, TM, RF
		3000	EF200L	380-415 V	358E116WC-00	92.9	810	50.00	750	BS, X, TM, RF
50	37	1500	EF200L	380-415 V	358E216WC-00	93.2	810	51.00	750	BS, X, TM, RF
		1000	EF225M	380-415 V	358E316WC-00	92.7	915	56.00	981	BS, X, TM, RF
		3000	EF200L	380-415 V	358E117WC-00	93.3	810	62.00	750	BS, X, TM, RF
60	45	1500	EF225S	380-415 V	358E217WC-00	93.6	873	64.00	816	BS, X, TM, RF
		1000	EF250S	380-415 V	358E317WC-00	93.2	985	67.00	1089	BS, X, TM, RF
		3000	EF225M	380-415 V	358E118WC-00	93.9	885	74.00	981	BS, X, TM, RF
75	55	1500	EF225M	380-415 V	358E218WC-00	94.2	915	77.00	981	BS, X, TM, RF
		1000	EF250M	380-415 V	358E318WC-00	93.4	1030	81.00	1530	BS, X, TM, RF
		3000	EF250S	380-415 V	358E119WC-00	94.4	985	90.00	1089	BS, X, TM, RF
100	75	1500	EF250S	380-415 V	358E219WC-00	94.6	985	94.00	1089	BS, X, TM, RF
		1000	EF280S	380-415 V	358E319WC-00	93.8	1100	98.00	1664	BS, X, TM, RF
		3000	EF250M	380-415 V	358E120WC-00	95.2	1030	122.00	1530	BS, X, TM, RF
100	75	1500	EF250M	380-415 V	358E220WC-00	94.9	1030	126.00	1530	BS, X, TM, RF
		1000	EF280M	380-415 V	358E320WC-00	94.3	1145	132.00	1962	BS, X, TM, RF

Discount Category **21**



**ATEX/IECex EEXD IIB Explosion Proof 90S-315M  
B3 (Foot Mount) - Cast Iron**



HP	Kw	RPM	Frame	Voltage	P/N	FL Eff.	L Dim. (mm)	FL Amps	LBS	Notes
125	90	3000	EF280S	380-415 V	358E121WC-00	95.3	1100	146.00	1664	BS, X, TM, RF
		1500	EF280S	380-415 V	358E221WC-00	95.2	1100	151.00	1664	BS, X, TM, RF
		1000	EF315S	380-415 V	358E321WC-00	94.5	1215	158.00	2535	BS, X, TM, RF
150	110	3000	EF280M	380-415 V	358E122WC-00	95.8	1145	177.00	1962	BS, X, TM, RF
		1500	EF280M	380-415 V	358E222WC-00	95.6	1145	184.00	1962	BS, X, TM, RF
		1000	EF315M	380-415 V	358E322WC-00	94.8	1245	190.00	2976	BS, X, TM, RF
200	150	3000	EF315M	380-415 V	358E123WC-00	96.2	1215	238.00	2976	BS, X, TM, RF
		1500	EF315M	380-415 V	358E223WC-00	95.9	1245	247.00	2976	BS, X, TM, RF

**Discount Category 21**

IEC/Metric  
Aluminum

IEC/Metric  
Cast Iron

ATEX EEXD IIB  
Explosion Proof

ATEX EEXDE IIC  
Explosion Proof

ATEX EEXNA  
Non-Sparking

IEC/Metric  
Brake Motor

IEC/Metric  
Aluminum

IEC/Metric  
Cast Iron

ATEX EEXD IIB  
Explosion Proof

ATEX EEXDE IIC  
Explosion Proof

ATEX EEXNA  
Non-Sparking

IEC/Metric  
Brake Motor

HP	Kw	RPM	Frame	Voltage	P/N	FL Eff.	L Dim. (mm)	FL Amps	LBS	Notes
1	0.75	1500	EF90S	380-415 V	AB4M001-EC	75	308	1.90	76	BS, X, EX, TM
		1000	EF90S	380-415 V	AB6M001-EC	65	308	2.40	76	BS, X, EX, TM
1.5	1.1	3000	EF90S	380-415 V	AB2M1.5-EC	78	308	2.30	76	BS, X, EX, TM
		1500	EF90S	380-415 V	AB4M1.5-EC	77	308	2.70	76	BS, X, EX, TM
2	1.5	1000	EF90L	380-415 V	AB6M1.5-EC	70	333	3.20	85	BS, X, EX, TM
		3000	EF90S	380-415 V	AB2M002-EC	79	308	3.10	80	BS, X, EX, TM
		1500	EF90L	380-415 V	AB4M002-EC	79	333	3.50	85	BS, X, EX, TM
3	2.2	1000	EF100L	380-415 V	AB6M002-EC	76	394	4.20	120	BS, X, EX, TM
		3000	EF90L	380-415 V	AB2M003-EC	81	333	4.30	85	BS, X, EX, TM
		1500	EF100L	380-415 V	AB4M003-EC	81	394	4.80	120	BS, X, EX, TM
4	3	1000	EF112M	380-415 V	AB6M003-EC	77	391	5.80	140	BS, X, EX, TM
		3000	EF100L	380-415 V	AB2M004-EC	84	394	5.50	120	BS, X, EX, TM
		1500	EF100L	380-415 V	AB4M004-EC	83	394	6.70	120	BS, X, EX, TM
5.5	4	1000	EF132S	380-415 V	AB6M004-EC	82	467	6.60	195	BS, X, EX, TM
		3000	EF112M	380-415 V	AB2M5.5-EC	85	391	7.20	140	BS, X, EX, TM
		1500	EF112M	380-415 V	AB4M5.5-EC	84.5	391	8.10	140	BS, X, EX, TM
7.5	5.5	1000	EF132M	380-415 V	AB6M5.5-EC	83	505	9.10	235	BS, X, EX, TM
		3000	EF132S	380-415 V	AB2M7.5-EC	87	467	9.90	192	BS, X, EX, TM
		1500	EF132S	380-415 V	AB4M7.5-EC	86	467	10.70	192	BS, X, EX, TM
10	7.5	1000	EF132M	380-415 V	AB6M7.5-EC	85	505	12.30	235	BS, X, EX, TM
		3000	EF132S	380-415 V	AB2M010-EC	88	467	13.50	192	BS, X, EX, TM
		1500	EF132M	380-415 V	AB4M010-EC	87	505	14.30	235	BS, X, EX, TM
15	11	1000	EF160M	380-415 V	AB6M010-EC	87	605	16.00	336	BS, X, EX, TM
		3000	EF160M	380-415 V	AB2M015-EC	89	605	19.80	336	BS, X, EX, TM
		1500	EF160M	380-415 V	AB4M015-EC	90	605	19.80	336	BS, X, EX, TM
20	15	1000	EF160L	380-415 V	AB6M015-EC	87	650	23.10	369	BS, X, EX, TM
		3000	EF160M	380-415 V	AB2M020-EC	90	605	26.10	336	BS, X, EX, TM
		1500	EF160L	380-415 V	AB4M020-EC	90	650	25.80	336	BS, X, EX, TM
25	18.5	3000	EF160L	380-415 V	AB2M025-EC	91.5	650	32.00	336	BS, X, EX, TM

Discount Category **21**

# ATEX/IECex EEXD IIB Explosion Proof 90S-315M B5 (D-Flange With B3 Feet) - Cast Iron



HP	Kw	RPM	Frame	Voltage	P/N	FL Eff.	L Dim. (mm)	FL Amps	LBS	Notes
1	0.75	1500	EF90S	380-415 V	AB4M001-ED	75	308	1.90	76	BS, X, EX, TM
		1000	EF90S	380-415 V	AB6M001-ED	65	308	2.40	76	BS, X, EX, TM
1.5	1.1	3000	EF90S	380-415 V	AB2M1.5-ED	78	308	2.30	76	BS, X, EX, TM
		1500	EF90S	380-415 V	AB4M1.5-ED	77	308	2.70	76	BS, X, EX, TM
2	1.5	1000	EF90L	380-415 V	AB6M1.5-ED	70	333	3.20	85	BS, X, EX, TM
		3000	EF90S	380-415 V	AB2M002-ED	79	308	3.10	80	BS, X, EX, TM
		1500	EF90L	380-415 V	AB4M002-ED	79	333	3.50	85	BS, X, EX, TM
3	2.2	1000	EF100L	380-415 V	AB6M002-ED	76	394	4.20	120	BS, X, EX, TM
		3000	EF90L	380-415 V	AB2M003-ED	81	333	4.30	85	BS, X, EX, TM
		1500	EF100L	380-415 V	AB4M003-ED	81	394	4.80	120	BS, X, EX, TM
4	3	1000	EF112M	380-415 V	AB6M003-ED	77	391	5.80	140	BS, X, EX, TM
		3000	EF100L	380-415 V	AB2M004-ED	84	394	5.50	120	BS, X, EX, TM
		1500	EF100L	380-415 V	AB4M004-ED	83	394	6.70	120	BS, X, EX, TM
5.5	4	1000	EF132S	380-415 V	AB6M004-ED	82	467	6.60	195	BS, X, EX, TM
		3000	EF112M	380-415 V	AB2M5.5-ED	85	391	7.20	140	BS, X, EX, TM
		1500	EF112M	380-415 V	AB4M5.5-ED	84.5	391	8.10	140	BS, X, EX, TM
7.5	5.5	1000	EF132M	380-415 V	AB6M5.5-ED	83	505	9.10	235	BS, X, EX, TM
		3000	EF132S	380-415 V	AB2M7.5-ED	87	467	9.90	192	BS, X, EX, TM
		1500	EF132S	380-415 V	AB4M7.5-ED	86	467	10.70	192	BS, X, EX, TM
10	7.5	1000	EF132M	380-415 V	AB6M7.5-ED	85	505	12.30	235	BS, X, EX, TM
		3000	EF132S	380-415 V	AB2M010-ED	88	467	13.50	192	BS, X, EX, TM
		1500	EF132M	380-415 V	AB4M010-ED	87	505	14.30	235	BS, X, EX, TM
15	11	1000	EF160M	380-415 V	AB6M010-ED	87	605	16.00	336	BS, X, EX, TM
		3000	EF160M	380-415 V	AB2M015-ED	89	605	19.80	336	BS, X, EX, TM
		1500	EF160M	380-415 V	AB4M015-ED	90	605	19.80	336	BS, X, EX, TM
20	15	1000	EF160L	380-415 V	AB6M015-ED	87	650	23.10	369	BS, X, EX, TM
		3000	EF160M	380-415 V	AB2M020-ED	90	605	26.10	336	BS, X, EX, TM
		1500	EF160L	380-415 V	AB4M020-ED	90	650	25.80	372	BS, X, EX, TM
25	18.5	1000	EF180L	380-415 V	AB6M020-ED	87.5	710	29.10	512	BS, X, EX, TM
		3000	EF160L	380-415 V	AB2M025-ED	91.5	650	32.00	372	BS, X, EX, TM
		1500	EF180M	380-415 V	AB4M025-ED	91	672	32.00	473	BS, X, EX, TM
30	22	1000	EF200L	380-415 V	358E314WC-04	91	810	35.00	770	BS, X, TM, RF
		3000	EF180M	380-415 V	AB2M030-ED	91.5	672	36.00	473	BS, X, EX, TM
		1500	EF180L	380-415 V	AB4M030-ED	91	710	40.00	512	BS, X, EX, TM
40	30	1000	EF200L	380-415 V	358E315WC-04	91.5	810	42.00	770	BS, X, TM, RF
		3000	EF200L	380-415 V	358E116WC-04	92.9	810	50.00	770	BS, X, TM, RF
		1500	EF200L	380-415 V	358E216WC-04	93.2	810	51.00	770	BS, X, TM, RF
50	37	1000	EF225M	380-415 V	358E316WC-04	92.7	915	56.00	1002	BS, X, TM, RF
		3000	EF200L	380-415 V	358E117WC-04	93.3	810	62.00	770	BS, X, TM, RF
		1500	EF225S	380-415 V	358E217WC-04	93.6	873	64.00	832	BS, X, TM, RF
60	45	1000	EF250S	380-415 V	358E317WC-04	93.2	985	67.00	1106	BS, X, TM, RF
		3000	EF225M	380-415 V	358E118WC-04	93.9	885	74.00	1002	BS, X, TM, RF
		1500	EF225M	380-415 V	358E218WC-04	94.2	915	77.00	1002	BS, X, TM, RF
75	55	1000	EF250M	380-415 V	358E318WC-04	93.4	1030	81.00	1552	BS, X, TM, RF
		3000	EF250S	380-415 V	358E119WC-04	94.4	985	90.00	1106	BS, X, TM, RF
		1500	EF250S	380-415 V	358E219WC-04	94.6	985	94.00	1106	BS, X, TM, RF
100	75	1000	EF280S	380-415 V	358E319WC-04	93.8	1100	98.00	1690	BS, X, TM, RF
		3000	EF250M	380-415 V	358E120WC-04	95.2	1030	122.00	1552	BS, X, TM, RF
		1500	EF250M	380-415 V	358E220WC-04	94.9	1030	126.00	1552	BS, X, TM, RF
		1000	EF280M	380-415 V	358E320WC-04	94.3	1145	132.00	1990	BS, X, TM, RF

Discount Category **21**

IEC/Metric  
Aluminum

IEC/Metric  
Cast Iron

ATEX EEXD IIB  
Explosion Proof

ATEX EEXDE IIC  
Explosion Proof

ATEX EEXNA  
Non-Sparking

IEC/Metric  
Brake Motor

**ATEX/IECex EEXD IIB Explosion Proof 90S-315M  
B5 (D-Flange With B3 Feet) - Cast Iron**

HP	Kw	RPM	Frame	Voltage	P/N	FL Eff.	L Dim. (mm)	FL Amps	LBS	Notes
125	90	3000	EF280S	380-415 V	358E121WC-04	95.3	1100	146.00	1690	BS, X, TM, RF
		1500	EF280S	380-415 V	358E221WC-04	95.2	1100	151.00	1690	BS, X, TM, RF
		1000	EF315S	380-415 V	358E321WC-04	94.5	1215	158.00	2552	BS, X, TM, RF
150	110	3000	EF280M	380-415 V	358E122WC-04	95.8	1145	177.00	1990	BS, X, TM, RF
		1500	EF280M	380-415 V	358E222WC-04	95.6	1145	184.00	1990	BS, X, TM, RF
		1000	EF315M	380-415 V	358E322WC-04	94.8	1245	190.00	2992	BS, X, TM, RF
200	150	3000	EF315M	380-415 V	358E123WC-04	96.2	1215	238.00	2992	BS, X, TM, RF
		1500	EF315M	380-415 V	358E223WC-04	95.9	1245	247.00	2992	BS, X, TM, RF

Discount Category **21**

IEC/Metric  
Aluminum

IEC/Metric  
Cast Iron

ATEX EEXD IIB  
Explosion Proof

ATEX EEXDE IIC  
Explosion Proof

ATEX EEXNA  
Non-Sparking

IEC/Metric  
Brake Motor



ATEX/IECex EExde IIC Explosion Proof Motors. Features Include:

- Ex II 2G Ex db IIC T4 Gb & IECex
- Motors comply with IEC 60034, IEC 60072/EN50347, IEC 60079
- Certified by BASEEFA / ATEX / IECex
- Zone 1, Groups IIA, IIB & IIC
- TEFC enclosure
- All motors suitable for T4 applications
- Cast iron construction
- Class F insulation
- Service factor 1.0 50Hz
- 380-415V/660-720V/3PH/50HZ
- 440-480V/3PH/60HZ
- Right mount to left mount terminal box convertible up to 180 frame by factory modification
- 200 frame and above have removable/ repositionable feet for easy conversion to terminal box on top, left, right, or round body configuration
- 3 year warranty

IEC/Metric  
Aluminum

IEC/Metric  
Cast Iron

ATEX EEXD IIB  
Explosion Proof

ATEX EEXDE IIC  
Explosion Proof

ATEX EEXNA  
Non-Sparking

IEC/Metric  
Brake Motor

IEC/Metric  
Aluminum

IEC/Metric  
Cast Iron

ATEX EEXD IIB  
Explosion Proof

ATEX EEXDE IIC  
Explosion Proof

ATEX EEXNA  
Non-Sparking

IEC/Metric  
Brake Motor

HP	Kw	RPM	Frame	Voltage	P/N	FL Eff.	L Dim. (mm)	FL Amps	LBS	Notes
1	0.75	1500	EF90S	380-415 V	AC4M001-E	75	308	1.90	66	BS, X, EX, TM
		1000	EF90S	380-415 V	AC6M001-E	65	308	2.40	66	BS, X, EX, TM
1.5	1.1	3000	EF90S	380-415 V	AC2M1.5-E	78	308	2.30	66	BS, X, EX, TM
		1500	EF90S	380-415 V	AC4M1.5-E	77	308	2.70	66	BS, X, EX, TM
2	1.5	1000	EF90L	380-415 V	AC6M1.5-E	70	333	3.20	75	BS, X, EX, TM
		3000	EF90S	380-415 V	AC2M002-E	79	308	3.10	66	BS, X, EX, TM
		1500	EF90L	380-415 V	AC4M002-E	79	333	3.50	75	BS, X, EX, TM
3	2.2	1000	EF100L	380-415 V	AC6M002-E	76	394	4.20	101	BS, X, EX, TM
		3000	EF90L	380-415 V	AC2M003-E	81	333	4.30	75	BS, X, EX, TM
		1500	EF100L	380-415 V	AC4M003-E	81	394	4.80	101	BS, X, EX, TM
4	3	1000	EF112M	380-415 V	AC6M003-E	77	391	5.80	128	BS, X, EX, TM
		3000	EF100L	380-415 V	AC2M004-E	84	394	5.50	101	BS, X, EX, TM
		1500	EF100L	380-415 V	AC4M004-E	83	394	6.70	101	BS, X, EX, TM
5.5	4	1000	EF132S	380-415 V	AC6M004-E	82	467	6.60	176	BS, X, EX, TM
		3000	EF112M	380-415 V	AC2M5.5-E	85	391	7.20	128	BS, X, EX, TM
		1500	EF112M	380-415 V	AC4M5.5-E	84.5	391	8.10	128	BS, X, EX, TM
7.5	5.5	1000	EF132M	380-415 V	AC6M5.5-E	83	505	9.10	212	BS, X, EX, TM
		3000	EF132S	380-415 V	AC2M7.5-E	87	467	9.90	176	BS, X, EX, TM
		1500	EF132S	380-415 V	AC4M7.5-E	86	467	10.70	176	BS, X, EX, TM
10	7.5	1000	EF132M	380-415 V	AC6M7.5-E	85	505	12.30	212	BS, X, EX, TM
		3000	EF132S	380-415 V	AC2M010-E	88	467	13.50	176	BS, X, EX, TM
		1500	EF132M	380-415 V	AC4M010-E	87	505	14.30	212	BS, X, EX, TM
15	11	1000	EF160M	380-415 V	AC6M010-E	87	605	16.00	317	BS, X, EX, TM
		3000	EF160M	380-415 V	AC2M015-E	89	605	19.80	317	BS, X, EX, TM
		1500	EF160M	380-415 V	AC4M015-E	90	605	19.80	317	BS, X, EX, TM
20	15	1000	EF160L	380-415 V	AC6M015-E	87	650	23.10	357	BS, X, EX, TM
		3000	EF160M	380-415 V	AC2M020-E	90	605	26.10	317	BS, X, EX, TM
		1500	EF160L	380-415 V	AC4M020-E	90	650	25.80	357	BS, X, EX, TM
25	18.5	1000	EF180L	380-415 V	AC6M020-E	87.5	710	29.10	492	BS, X, EX, TM
		3000	EF160L	380-415 V	AC2M025-E	91.5	650	32.00	357	BS, X, EX, TM
		1500	EF180M	380-415 V	AC4M025-E	91	672	32.00	458	BS, X, EX, TM
30	22	1000	EF200L	380-415 V	AC6M025-E	91	810	35.00	750	BS, X, TM, RF
		3000	EF180M	380-415 V	AC2M030-E	91.5	672	36.00	458	BS, X, EX, TM
		1500	EF180L	380-415 V	AC4M030-E	91	710	40.00	492	BS, X, EX, TM
40	30	1000	EF200L	380-415 V	AC6M030-E	91.5	810	42.00	750	BS, X, TM, RF
		3000	EF200L	380-415 V	AC2M040-E	92.9	810	50.00	750	BS, X, TM, RF
		1500	EF200L	380-415 V	AC4M040-E	93.2	810	51.00	750	BS, X, TM, RF
50	37	1000	EF225M	380-415 V	AC6M040-E	92.7	915	56.00	981	BS, X, TM, RF
		3000	EF200L	380-415 V	AC2M050-E	93.3	810	62.00	750	BS, X, TM, RF
		1500	EF225S	380-415 V	AC4M050-E	93.6	873	64.00	816	BS, X, TM, RF
60	45	1000	EF250S	380-415 V	AC6M050-E	93.2	985	67.00	1089	BS, X, TM, RF
		3000	EF225M	380-415 V	AC2M060-E	93.9	885	74.00	981	BS, X, TM, RF
		1500	EF225M	380-415 V	AC4M060-E	94.2	915	77.00	981	BS, X, TM, RF
75	55	1000	EF250M	380-415 V	AC6M060-E	93.4	1030	81.00	1530	BS, X, TM, RF
		3000	EF250S	380-415 V	AC2M075-E	94.4	985	90.00	1089	BS, X, TM, RF
		1500	EF250S	380-415 V	AC4M075-E	94.6	985	94.00	1089	BS, X, TM, RF
100	75	1000	EF280S	380-415 V	AC6M075-E	93.8	1100	98.00	1664	BS, X, TM, RF
		3000	EF250M	380-415 V	AC2M100-E	95.2	1030	122.00	1530	BS, X, TM, RF
		1500	EF250M	380-415 V	AC4M100-E	94.9	1030	126.00	1530	BS, X, TM, RF
		1000	EF280M	380-415 V	AC6M100-E	94.3	1145	132.00	1962	BS, X, TM, RF

Discount Category **21**

**ATEX/IECex EEXDE IIC Explosion Proof IEC 90S-315M  
B3 (Foot Mount) - Cast Iron**



HP	Kw	RPM	Frame	Voltage	P/N	FL Eff.	L Dim. (mm)	FL Amps	LBS	Notes
125	90	3000	EF280S	380-415 V	AC2M125-E	95.3	1100	146.00	1664	BS, X, TM, RF
		1500	EF280S	380-415 V	AC4M125-E	95.2	1100	151.00	1664	BS, X, TM, RF
		1000	EF315S	380-415 V	AC6M125-E	94.5	1215	158.00	2535	BS, X, TM, RF
150	110	3000	EF280M	380-415 V	AC2M150-E	95.8	1145	177.00	1962	BS, X, TM, RF
		1500	EF280M	380-415 V	AC4M150-E	95.6	1145	184.00	1962	BS, X, TM, RF
		1000	EF315M	380-415 V	AC6M150-E	94.8	1245	190.00	2976	BS, X, TM, RF
200	150	3000	EF315M	380-415 V	AC2M200-E	96.2	1215	238.00	2976	BS, X, TM, RF
		1500	EF315M	380-415 V	AC4M200-E	95.9	1245	247.00	2976	BS, X, TM, RF

**Discount Category 21**

IEC/Metric  
Aluminum

IEC/Metric  
Cast Iron

ATEX EEXD IIB  
Explosion Proof

ATEX EEXDE IIC  
Explosion Proof

ATEX EEXNA  
Non-Sparking

IEC/Metric  
Brake Motor

**ATEX/IECex EEXDE IIC Explosion Proof IEC 90S-315M  
B14 (C-Face With B3 Feet) - Cast Iron**

IEC/Metric  
Aluminum

IEC/Metric  
Cast Iron

ATEX EEXD IIB  
Explosion Proof

ATEX EEXDE IIC  
Explosion Proof

ATEX EEXNA  
Non-Sparking

IEC/Metric  
Brake Motor

HP	Kw	RPM	Frame	Voltage	P/N	FL Eff.	L Dim. (mm)	FL Amps	LBS	Notes
1	0.75	1500	EF90S	380-415 V	AC4M001-EC	75	308	1.90	76	BS, X, EX, TM
		1000	EF90S	380-415 V	AC6M001-EC	65	308	2.40	76	BS, X, EX, TM
1.5	1.1	3000	EF90S	380-415 V	AC2M1.5-EC	78	308	2.30	76	BS, X, EX, TM
		1500	EF90S	380-415 V	AC4M1.5-EC	77	308	2.70	76	BS, X, EX, TM
2	1.5	1000	EF90L	380-415 V	AC6M1.5-EC	70	333	3.20	85	BS, X, EX, TM
		3000	EF90S	380-415 V	AC2M002-EC	79	308	3.10	80	BS, X, EX, TM
		1500	EF90L	380-415 V	AC4M002-EC	79	333	3.50	85	BS, X, EX, TM
3	2.2	1000	EF100L	380-415 V	AC6M002-EC	76	394	4.20	120	BS, X, EX, TM
		3000	EF90L	380-415 V	AC2M003-EC	81	333	4.30	85	BS, X, EX, TM
		1500	EF100L	380-415 V	AC4M003-EC	81	394	4.80	120	BS, X, EX, TM
4	3	1000	EF112M	380-415 V	AC6M003-EC	77	391	5.80	140	BS, X, EX, TM
		3000	EF100L	380-415 V	AC2M004-EC	84	394	5.50	120	BS, X, EX, TM
		1500	EF100L	380-415 V	AC4M004-EC	83	394	6.70	120	BS, X, EX, TM
5.5	4	1000	EF132S	380-415 V	AC6M004-EC	82	467	6.60	195	BS, X, EX, TM
		3000	EF112M	380-415 V	AC2M5.5-EC	85	391	7.20	140	BS, X, EX, TM
		1500	EF112M	380-415 V	AC4M5.5-EC	84.5	391	8.10	140	BS, X, EX, TM
7.5	5.5	1000	EF132M	380-415 V	AC6M5.5-EC	83	505	9.10	235	BS, X, EX, TM
		3000	EF132S	380-415 V	AC2M7.5-EC	87	467	9.90	192	BS, X, EX, TM
		1500	EF132S	380-415 V	AC4M7.5-EC	86	467	10.70	192	BS, X, EX, TM
10	7.5	1000	EF132M	380-415 V	AC6M7.5-EC	85	505	12.30	235	BS, X, EX, TM
		3000	EF132S	380-415 V	AC2M010-EC	88	467	13.50	192	BS, X, EX, TM
		1500	EF132M	380-415 V	AC4M010-EC	87	505	14.30	235	BS, X, EX, TM
15	11	1000	EF160M	380-415 V	AC6M010-EC	87	605	16.00	336	BS, X, EX, TM
		3000	EF160M	380-415 V	AC2M015-EC	89	605	19.80	336	BS, X, EX, TM
		1500	EF160M	380-415 V	AC4M015-EC	90	605	19.80	336	BS, X, EX, TM
20	15	1000	EF160L	380-415 V	AC6M015-EC	87	650	23.10	369	BS, X, EX, TM
		3000	EF160M	380-415 V	AC2M020-EC	90	605	26.10	336	BS, X, EX, TM
25	18.5	3000	EF160L	380-415 V	AC4M020-EC	90	650	25.80	336	BS, X, EX, TM
		3000	EF160L	380-415 V	AC2M025-EC	91.5	650	32.00	336	BS, X, EX, TM

Discount Category **21**



# ATEX/IECex EEXDE IIC Explosion Proof IEC 90S-315M B5 (D-Flange With B3 Feet) - Cast Iron



HP	Kw	RPM	Frame	Voltage	P/N	FL Eff.	L Dim. (mm)	FL Amps	LBS	Notes
1	0.75	1500	EF90S	380-415 V	AC4M001-ED	75	308	1.90	76	BS, X, EX, TM
		1000	EF90S	380-415 V	AC6M001-ED	65	308	2.40	76	BS, X, EX, TM
1.5	1.1	3000	EF90S	380-415 V	AC2M1.5-ED	78	308	2.30	76	BS, X, EX, TM
		1500	EF90S	380-415 V	AC4M1.5-ED	77	308	2.70	76	BS, X, EX, TM
2	1.5	1000	EF90L	380-415 V	AC6M1.5-ED	70	333	3.20	85	BS, X, EX, TM
		3000	EF90S	380-415 V	AC2M002-ED	79	308	3.10	80	BS, X, EX, TM
		1500	EF90L	380-415 V	AC4M002-ED	79	333	3.50	85	BS, X, EX, TM
3	2.2	1000	EF100L	380-415 V	AC6M002-ED	76	394	4.20	120	BS, X, EX, TM
		3000	EF90L	380-415 V	AC2M003-ED	81	333	4.30	85	BS, X, EX, TM
		1500	EF100L	380-415 V	AC4M003-ED	81	394	4.80	120	BS, X, EX, TM
4	3	1000	EF112M	380-415 V	AC6M003-ED	77	391	5.80	140	BS, X, EX, TM
		3000	EF100L	380-415 V	AC2M004-ED	84	394	5.50	120	BS, X, EX, TM
		1500	EF100L	380-415 V	AC4M004-ED	83	394	6.70	120	BS, X, EX, TM
5.5	4	1000	EF132S	380-415 V	AC6M004-ED	82	467	6.60	195	BS, X, EX, TM
		3000	EF112M	380-415 V	AC2M5.5-ED	85	391	7.20	140	BS, X, EX, TM
		1500	EF112M	380-415 V	AC4M5.5-ED	84.5	391	8.10	140	BS, X, EX, TM
7.5	5.5	1000	EF132M	380-415 V	AC6M5.5-ED	83	505	9.10	235	BS, X, EX, TM
		3000	EF132S	380-415 V	AC2M7.5-ED	87	467	9.90	192	BS, X, EX, TM
		1500	EF132S	380-415 V	AC4M7.5-ED	86	467	10.70	192	BS, X, EX, TM
10	7.5	1000	EF132M	380-415 V	AC6M7.5-ED	85	505	12.30	235	BS, X, EX, TM
		3000	EF132S	380-415 V	AC2M010-ED	88	467	13.50	192	BS, X, EX, TM
		1500	EF132M	380-415 V	AC4M010-ED	87	505	14.30	235	BS, X, EX, TM
15	11	1000	EF160M	380-415 V	AC6M010-ED	87	605	16.00	336	BS, X, EX, TM
		3000	EF160M	380-415 V	AC2M015-ED	89	605	19.80	336	BS, X, EX, TM
		1500	EF160M	380-415 V	AC4M015-ED	90	605	19.80	336	BS, X, EX, TM
20	15	1000	EF160L	380-415 V	AC6M015-ED	87	650	23.10	369	BS, X, EX, TM
		3000	EF160M	380-415 V	AC2M020-ED	90	605	26.10	336	BS, X, EX, TM
		1500	EF160L	380-415 V	AC4M020-ED	90	650	25.80	372	BS, X, EX, TM
25	18.5	1000	EF180L	380-415 V	AC6M020-ED	87.5	710	29.10	512	BS, X, EX, TM
		3000	EF160L	380-415 V	AC2M025-ED	91.5	650	32.00	372	BS, X, EX, TM
		1500	EF180M	380-415 V	AC4M025-ED	91	672	32.00	473	BS, X, EX, TM
30	22	1000	EF200L	380-415 V	AC6M025-ED	91	810	35.00	770	BS, X, TM, RF
		3000	EF180M	380-415 V	AC2M030-ED	91.5	672	36.00	473	BS, X, EX, TM
		1500	EF180L	380-415 V	AC4M030-ED	91	710	40.00	512	BS, X, EX, TM
40	30	1000	EF200L	380-415 V	AC6M030-ED	91.5	810	42.00	770	BS, X, TM, RF
		3000	EF200L	380-415 V	AC2M040-ED	92.9	810	50.00	770	BS, X, TM, RF
		1500	EF200L	380-415 V	AC4M040-ED	93.2	810	51.00	770	BS, X, TM, RF
50	37	1000	EF225M	380-415 V	AC6M040-ED	92.7	915	56.00	1002	BS, X, TM, RF
		3000	EF200L	380-415 V	AC2M050-ED	93.3	810	62.00	770	BS, X, TM, RF
		1500	EF225S	380-415 V	AC4M050-ED	93.6	873	64.00	832	BS, X, TM, RF
60	45	1000	EF250S	380-415 V	AC6M050-ED	93.2	985	67.00	1106	BS, X, TM, RF
		3000	EF225M	380-415 V	AC2M060-ED	93.9	885	74.00	1002	BS, X, TM, RF
		1500	EF225M	380-415 V	AC4M060-ED	94.2	915	77.00	1002	BS, X, TM, RF
75	55	1000	EF250M	380-415 V	AC6M060-ED	93.4	1030	81.00	1552	BS, X, TM, RF
		3000	EF250S	380-415 V	AC2M075-ED	94.4	985	90.00	1106	BS, X, TM, RF
		1500	EF250S	380-415 V	AC4M075-ED	94.6	985	94.00	1106	BS, X, TM, RF
100	75	1000	EF280S	380-415 V	AC6M075-ED	93.8	1100	98.00	1690	BS, X, TM, RF
		3000	EF250M	380-415 V	AC2M100-ED	95.2	1030	122.00	1552	BS, X, TM, RF
		1500	EF250M	380-415 V	AC4M100-ED	94.9	1030	126.00	1552	BS, X, TM, RF
		1000	EF280M	380-415 V	AC6M100-ED	94.3	1145	132.00	1990	BS, X, TM, RF

Discount Category **21**

IEC/Metric  
Aluminum

IEC/Metric  
Cast Iron

ATEX EEXD IIB  
Explosion Proof

ATEX EEXDE IIC  
Explosion Proof

ATEX EEXNA  
Non-Sparking

IEC/Metric  
Brake Motor

**ATEX/IECex EEXDE IIC Explosion Proof IEC 90S-315M  
B5 (D-Flange With B3 Feet) - Cast Iron**

IEC/Metric  
Aluminum

IEC/Metric  
Cast Iron

ATEX EEXD IIB  
Explosion Proof

ATEX EEXDE IIC  
Explosion Proof

ATEX EEXNA  
Non-Sparking

IEC/Metric  
Brake Motor

HP	Kw	RPM	Frame	Voltage	P/N	FL Eff.	L Dim. (mm)	FL Amps	LBS	Notes
125	90	3000	EF280S	380-415 V	AC2M125-ED	95.3	1100	146.00	1690	BS, X, TM, RF
		1500	EF280S	380-415 V	AC4M125-ED	95.2	1100	151.00	1690	BS, X, TM, RF
		1000	EF315S	380-415 V	AC6M125-ED	94.5	1215	158.00	2552	BS, X, TM, RF
150	110	3000	EF280M	380-415 V	AC2M150-ED	95.8	1145	177.00	1990	BS, X, TM, RF
		1500	EF280M	380-415 V	AC4M150-ED	95.6	1145	184.00	1990	BS, X, TM, RF
		1000	EF315M	380-415 V	AC6M150-ED	94.8	1245	190.00	2992	BS, X, TM, RF
200	150	3000	EF315M	380-415 V	AC2M200-ED	96.2	1215	238.00	2992	BS, X, TM, RF
		1500	EF315M	380-415 V	AC4M200-ED	95.9	1245	247.00	2992	BS, X, TM, RF

Discount Category **21**



IEC/Metric  
Aluminum

IEC/Metric  
Cast Iron

ATEX EEXD IIB  
Explosion Proof

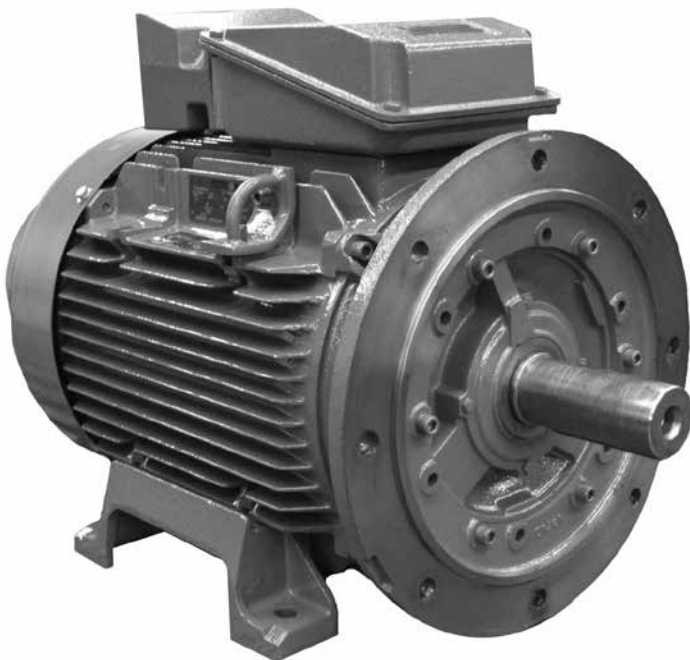
ATEX EEXDE IIC  
Explosion Proof

ATEX EEXNA  
Non-Sparking

IEC/Metric  
Brake Motor

ATEX/IECex EEXnA Non-Sparking Motors. Features Include:

- Motors comply with CENELEC/ EURONORM standards EN60079 certified by BASEEFA / ATEX / IECex
- Zone 2, Group II T3 non sparking
- TEFC enclosure
- Cast iron construction
- Service factor 1.0 50Hz
- 380-415V/660-720V/3PH/50HZ
- 440-480V/3PH/60HZ
- Class F insulation
- Removable/ repositionable feet for easy conversion to terminal box on top, left, right, or round body configuration
- 3 year warranty



IEC/Metric  
Aluminum

IEC/Metric  
Cast Iron

ATEX EEXD IIB  
Explosion Proof

ATEX EEXDE IIC  
Explosion Proof

ATEX EEXNA  
Non-Sparking

IEC/Metric  
Brake Motor

HP	Kw	RPM	Frame	Voltage	P/N	FL Eff.	L Dim. (mm)	FL Amps	LBS	Notes
1	0.75	1500	80M	380-415 V	AN4M001-E	79.6	278	1.80	38	BS, X, EX, RF
		1000	90S	380-415 V	AN6M001-E	75.9	364	2.10	56	BS, X, EX, RF
1.5	1.1	3000	80M	380-415 V	AN2M1.5-E	79.6	278	2.20	38	BS, X, EX, RF
		1500	90S	380-415 V	AN4M1.5-E	81.4	364	2.40	56	BS, X, EX, RF
		1000	90L	380-415 V	AN6M1.5-E	78.1	364	2.90	67	BS, X, EX, RF
2	1.5	3000	90S	380-415 V	AN2M002-E	81.3	364	2.90	56	BS, X, EX, RF
		1500	90L	380-415 V	AN4M002-E	82.8	364	3.60	67	BS, X, EX, RF
		1000	100L	380-415 V	AN6M002-E	79.8	409	3.70	70	BS, X, EX, RF
3	2.2	3000	90L	380-415 V	AN2M003-E	83.2	364	4.40	67	BS, X, EX, RF
		1500	100L	380-415 V	AN4M003-E	84.3	409	4.90	70	BS, X, EX, RF
		1000	112M	380-415 V	AN6M003-E	81.8	442	5.30	123	BS, X, EX, RF
4	3	3000	100L	380-415 V	AN2M004-E	84.6	409	5.70	70	BS, X, EX, RF
		1500	100L	380-415 V	AN4M004-E	85.5	409	6.60	70	BS, X, EX, RF
		1000	132S	380-415 V	AN6M004-E	83.3	484	6.70	173	BS, X, EX, RF
5.5	4	3000	112M	380-415 V	AN2M5.5-E	85.8	442	7.00	123	BS, X, EX, RF
		1500	112M	380-415 V	AN4M5.5-E	86.6	442	8.40	123	BS, X, EX, RF
		1000	132M	380-415 V	AN6M5.5-E	84.6	484	9.00	170	BS, X, EX, RF
7.5	5.5	3000	132S	380-415 V	AN2M7.5-E	87	484	9.80	173	BS, X, EX, RF
		1500	132S	380-415 V	AN4M7.5-E	87.7	484	10.70	173	BS, X, EX, RF
		1000	132M	380-415 V	AN6M7.5-E	86	484	11.90	170	BS, X, EX, RF
10	7.5	3000	132S	380-415 V	AN2M010-E	88.1	484	13.00	173	BS, X, EX, RF
		1500	132M	380-415 V	AN4M010-E	88.7	484	14.20	170	BS, X, EX, RF
		1000	160M	380-415 V	AN6M010-E	87.2	604	16.00	293	BS, X, EX, RF
15	11	3000	160M	380-415 V	AN2M015-E	89.4	604	19.30	293	BS, X, EX, RF
		1500	160M	380-415 V	AN4M015-E	89.8	604	20.20	293	BS, X, EX, RF
		1000	160L	380-415 V	AN6M015-E	88.7	604	23.10	333	BS, X, EX, RF
20	15	3000	160M	380-415 V	AN2M020-E	90.3	604	25.60	293	BS, X, EX, RF
		1500	160L	380-415 V	AN4M020-E	90.6	604	27.00	333	BS, X, EX, RF
		1000	180L	380-415 V	AN6M020-E	89.7	787	29.40	408	BS, X, EX, RF
25	18.5	3000	160L	380-415 V	AN2M025-E	90.9	604	30.80	333	BS, X, EX, RF
		1500	180M	380-415 V	AN4M025-E	91.2	663	32.80	395	BS, X, EX, RF
		1000	200L	380-415 V	AN6M025-E	90.4	787	35.70	750	BS, X, EX, RF
30	22	3000	180M	380-415 V	AN2M030-E	91.3	663	35.70	395	BS, X, EX, RF
		1500	180L	380-415 V	AN4M030-E	91.6	663	39.50	408	BS, X, EX, RF
		1000	200L	380-415 V	AN6M030-E	90.9	787	41.40	750	BS, X, EX, RF
40	30	3000	200L	380-415 V	AN2M040-E	92	787	50.10	750	BS, X, EX, RF
		1500	200L	380-415 V	AN4M040-E	92.3	787	52.00	750	BS, X, EX, RF
		1000	225M	380-415 V	AN6M040-E	91.7	915	55.90	1050	BS, X, EX, RF
50	37	3000	200L	380-415 V	AN2M050-E	92.5	787	61.70	750	BS, X, EX, RF
		1500	225S	380-415 V	AN4M050-E	92.7	970	63.60	914	BS, X, EX, RF
		1000	250S	380-415 V	AN6M050-E	92.2	985	67.50	1384	BS, X, EX, RF
60	45	3000	225M	380-415 V	AN2M060-E	92.9	885	74.20	1050	BS, X, EX, RF
		1500	225M	380-415 V	AN4M060-E	93.1	915	77.10	1050	BS, X, EX, RF
		1000	250M	380-415 V	AN6M060-E	92.7	1021	81.00	1384	BS, X, EX, RF
75	55	3000	250S	380-415 V	AN2M075-E	93.2	985	90.60	1384	BS, X, EX, RF
		1500	250S	380-415 V	AN4M075-E	93.5	985	94.50	1384	BS, X, EX, RF
		1000	280S	380-415 V	AN6M075-E	93.1	1090	98.30	1512	BS, X, EX, RF
100	75	3000	250M	380-415 V	AN2M100-E	93.8	1030	122.40	1384	BS, X, EX, RF
		1500	250M	380-415 V	AN4M100-E	94	1021	126.30	1384	BS, X, EX, RF
		1000	280M	380-415 V	AN6M100-E	93.7	1145	132.00	1896	BS, X, EX, RF

Discount Category **18**

**ATEX/IECex EEXNA Zone 2 Non-Sparking IEC 90S-315M  
B3 (Foot Mount) - Cast Iron**



HP	Kw	RPM	Frame	Voltage	P/N	FL Eff.	L Dim. (mm)	FL Amps	LBS	Notes
125	90	3000	280S	380-415 V	AN2M125-E	94.1	1070	146.50	1512	BS, X, EX, RF
		1500	280S	380-415 V	AN4M125-E	94.2	1090	151.30	1512	BS, X, EX, RF
		1000	315S	380-415 V	AN6M125-E	94	1215	158.10	2354	BS, X, EX, RF
150	110	3000	280M	380-415 V	AN2M150-E	94.3	1115	177.30	1896	BS, X, EX, RF
		1500	280M	380-415 V	AN4M150-E	94.5	1145	184.10	1896	BS, X, EX, RF
		1000	315M	380-415 V	AN6M150-E	94.3	1245	189.90	2533	BS, X, EX, RF
200	150	3000	315M	380-415 V	AN2M200-E	94.7	1215	238.10	2533	BS, X, EX, RF
		1500	315M	380-415 V	AN4M200-E	94.9	1245	247.70	2533	BS, X, EX, RF

**Discount Category 18**

IEC/Metric  
Aluminum

IEC/Metric  
Cast Iron

ATEX EEXD IIB  
Explosion Proof

ATEX EEXDE IIC  
Explosion Proof

ATEX EEXNA  
Non-Sparking

IEC/Metric  
Brake Motor

**ATEX/IECex EEXNA Zone 2 Non-Sparking IEC 90S-315M  
B14 (C-Face With B3 Removable Feet) - Cast Iron**

IEC/Metric  
Aluminum

IEC/Metric  
Cast Iron

ATEX EEXD IIB  
Explosion Proof

ATEX EEXDE IIC  
Explosion Proof

ATEX EEXNA  
Non-Sparking

IEC/Metric  
Brake Motor

HP	Kw	RPM	Frame	Voltage	P/N	FL Eff.	L Dim. (mm)	FL Amps	LBS	Notes
1	0.75	1500	80M	380-415 V	AN4M001-EC	79.6	278	1.80	45	BS, X, EX, RF
		1000	90S	380-415 V	AN6M001-EC	75.9	364	2.10	63	BS, X, EX, RF
1.5	1.1	3000	80M	380-415 V	AN2M1.5-EC	79.6	278	2.20	45	BS, X, EX, RF
		1500	90S	380-415 V	AN4M1.5-EC	81.4	364	2.40	63	BS, X, EX, RF
2	1.5	1000	90L	380-415 V	AN6M1.5-EC	78.1	364	2.90	77	BS, X, EX, RF
		3000	90S	380-415 V	AN2M002-EC	81.3	364	2.90	66	BS, X, EX, RF
		1500	90L	380-415 V	AN4M002-EC	82.8	364	3.60	78	BS, X, EX, RF
3	2.2	1000	100L	380-415 V	AN6M002-EC	79.8	409	3.70	82	BS, X, EX, RF
		3000	90L	380-415 V	AN2M003-EC	83.2	364	4.40	78	BS, X, EX, RF
		1500	100L	380-415 V	AN4M003-EC	84.3	409	4.90	82	BS, X, EX, RF
4	3	1000	112M	380-415 V	AN6M003-EC	81.8	442	5.30	135	BS, X, EX, RF
		3000	100L	380-415 V	AN2M004-EC	84.6	409	5.70	82	BS, X, EX, RF
		1500	100L	380-415 V	AN4M004-EC	85.5	409	6.60	82	BS, X, EX, RF
5.5	4	1000	132S	380-415 V	AN6M004-EC	83.3	484	6.70	192	BS, X, EX, RF
		3000	112M	380-415 V	AN2M5.5-EC	85.8	442	7.00	138	BS, X, EX, RF
		1500	112M	380-415 V	AN4M5.5-EC	86.6	442	8.40	138	BS, X, EX, RF
7.5	5.5	1000	132M	380-415 V	AN6M5.5-EC	84.6	484	9.00	192	BS, X, EX, RF
		3000	132S	380-415 V	AN2M7.5-EC	87	484	9.80	195	BS, X, EX, RF
		1500	132S	380-415 V	AN4M7.5-EC	87.7	484	10.70	195	BS, X, EX, RF
10	7.5	1000	132M	380-415 V	AN6M7.5-EC	86	484	11.90	192	BS, X, EX, RF
		3000	132S	380-415 V	AN2M010-EC	88.1	484	13.00	195	BS, X, EX, RF
		1500	132M	380-415 V	AN4M010-EC	88.7	484	14.20	192	BS, X, EX, RF
15	11	1000	160M	380-415 V	AN6M010-EC	87.2	604	16.00	311	BS, X, EX, RF
		3000	160M	380-415 V	AN2M015-EC	89.4	604	19.30	311	BS, X, EX, RF
		1500	160M	380-415 V	AN4M015-EC	89.8	604	20.20	311	BS, X, EX, RF
20	15	1000	160L	380-415 V	AN6M015-EC	88.7	604	23.10	351	BS, X, EX, RF
		3000	160M	380-415 V	AN2M020-EC	90.3	604	25.60	311	BS, X, EX, RF
25	18.5	3000	160L	380-415 V	AN4M020-EC	90.6	604	27.00	351	BS, X, EX, RF
		3000	160L	380-415 V	AN2M025-EC	90.9	604	30.80	351	BS, X, EX, RF

Discount Category **18**

# ATEX/IECex EEXNA Zone 2 Non-Sparking IEC 90S-315M B5 (D-Flange With B3 Removable Feet) - Cast Iron



HP	Kw	RPM	Frame	Voltage	P/N	FL Eff.	L Dim. (mm)	FL Amps	LBS	Notes
1	0.75	1500	80M	380-415 V	AN4M001-ED	79.6	278	1.80	45	BS, X, EX, RF
		1000	90S	380-415 V	AN6M001-ED	75.9	364	2.10	63	BS, X, EX, RF
1.5	1.1	3000	80M	380-415 V	AN2M1.5-ED	79.6	278	2.20	45	BS, X, EX, RF
		1500	90S	380-415 V	AN4M1.5-ED	81.4	364	2.40	63	BS, X, EX, RF
		1000	90L	380-415 V	AN6M1.5-ED	78.1	364	2.90	77	BS, X, EX, RF
2	1.5	3000	90S	380-415 V	AN2M002-ED	81.3	364	2.90	66	BS, X, EX, RF
		1500	90L	380-415 V	AN4M002-ED	82.8	364	3.60	78	BS, X, EX, RF
		1000	100L	380-415 V	AN6M002-ED	79.8	409	3.70	82	BS, X, EX, RF
3	2.2	3000	90L	380-415 V	AN2M003-ED	83.2	364	4.40	78	BS, X, EX, RF
		1500	100L	380-415 V	AN4M003-ED	84.3	409	4.90	82	BS, X, EX, RF
		1000	112M	380-415 V	AN6M003-ED	81.8	442	5.30	135	BS, X, EX, RF
4	3	3000	100L	380-415 V	AN2M004-ED	84.6	409	5.70	82	BS, X, EX, RF
		1500	100L	380-415 V	AN4M004-ED	85.5	409	6.60	82	BS, X, EX, RF
		1000	132S	380-415 V	AN6M004-ED	83.3	484	6.70	192	BS, X, EX, RF
5.5	4	3000	112M	380-415 V	AN2M5.5-ED	85.8	442	7.00	138	BS, X, EX, RF
		1500	112M	380-415 V	AN4M5.5-ED	86.6	442	8.40	138	BS, X, EX, RF
		1000	132M	380-415 V	AN6M5.5-ED	84.6	484	9.00	192	BS, X, EX, RF
7.5	5.5	3000	132S	380-415 V	AN2M7.5-ED	87	484	9.80	195	BS, X, EX, RF
		1500	132S	380-415 V	AN4M7.5-ED	87.7	484	10.70	195	BS, X, EX, RF
		1000	132M	380-415 V	AN6M7.5-ED	86	484	11.90	192	BS, X, EX, RF
10	7.5	3000	132S	380-415 V	AN2M010-ED	88.1	484	13.00	195	BS, X, EX, RF
		1500	132M	380-415 V	AN4M010-ED	88.7	484	14.20	192	BS, X, EX, RF
		1000	160M	380-415 V	AN6M010-ED	87.2	604	16.00	311	BS, X, EX, RF
15	11	3000	160M	380-415 V	AN2M015-ED	89.4	604	19.30	311	BS, X, EX, RF
		1500	160M	380-415 V	AN4M015-ED	89.8	604	20.20	311	BS, X, EX, RF
		1000	160L	380-415 V	AN6M015-ED	88.7	604	23.10	351	BS, X, EX, RF
20	15	3000	160M	380-415 V	AN2M020-ED	90.3	604	25.60	311	BS, X, EX, RF
		1500	160L	380-415 V	AN4M020-ED	90.6	604	27.00	351	BS, X, EX, RF
		1000	180L	380-415 V	AN6M020-ED	89.7	787	29.40	426	BS, X, EX, RF
25	18.5	3000	160L	380-415 V	AN2M025-ED	90.9	604	30.80	351	BS, X, EX, RF
		1500	180M	380-415 V	AN4M025-ED	91.2	663	32.80	416	BS, X, EX, RF
		1000	200L	380-415 V	AN6M025-ED	90.4	787	35.70	768	BS, X, EX, RF
30	22	3000	180M	380-415 V	AN2M030-ED	91.3	663	35.70	416	BS, X, EX, RF
		1500	180L	380-415 V	AN4M030-ED	91.6	663	39.50	437	BS, X, EX, RF
		1000	200L	380-415 V	AN6M030-ED	90.9	787	41.40	768	BS, X, EX, RF
40	30	3000	200L	380-415 V	AN2M040-ED	92	787	50.10	768	BS, X, EX, RF
		1500	200L	380-415 V	AN4M040-ED	92.3	787	52.00	768	BS, X, EX, RF
		1000	225M	380-415 V	AN6M040-ED	91.7	915	55.90	1072	BS, X, EX, RF
50	37	3000	200L	380-415 V	AN2M050-ED	92.5	787	61.70	768	BS, X, EX, RF
		1500	225S	380-415 V	AN4M050-ED	92.7	970	63.60	938	BS, X, EX, RF
		1000	250S	380-415 V	AN6M050-ED	92.2	985	67.50	1402	BS, X, EX, RF
60	45	3000	225M	380-415 V	AN2M060-ED	92.9	885	74.20	1072	BS, X, EX, RF
		1500	225M	380-415 V	AN4M060-ED	93.1	915	77.10	1072	BS, X, EX, RF
		1000	250M	380-415 V	AN6M060-ED	92.7	1021	81.00	1402	BS, X, EX, RF
75	55	3000	250S	380-415 V	AN2M075-ED	93.2	985	90.60	1402	BS, X, EX, RF
		1500	250S	380-415 V	AN4M075-ED	93.5	985	94.50	1402	BS, X, EX, RF
		1000	280S	380-415 V	AN6M075-ED	93.1	1090	98.30	1532	BS, X, EX, RF
100	75	3000	250M	380-415 V	AN2M100-ED	93.8	1030	122.40	1402	BS, X, EX, RF
		1500	250M	380-415 V	AN4M100-ED	94	1021	126.30	1402	BS, X, EX, RF
		1000	280M	380-415 V	AN6M100-ED	93.7	1145	132.00	1914	BS, X, EX, RF

Discount Category **18**

IEC/Metric Aluminum
IEC/Metric Cast Iron
ATEX EEXD IIB Explosion Proof
ATEX EEXDE IIC Explosion Proof
ATEX EEXNA Non-Sparking
IEC/Metric Brake Motor

**ATEX/IECex EEXNA Zone 2 Non-Sparking IEC 90S-315M  
B5 (D-Flange With B3 Removable Feet) - Cast Iron**

IEC/Metric  
Aluminum

IEC/Metric  
Cast Iron

ATEX EEXD IIB  
Explosion Proof

ATEX EEXDE IIC  
Explosion Proof

ATEX EEXNA  
Non-Sparking

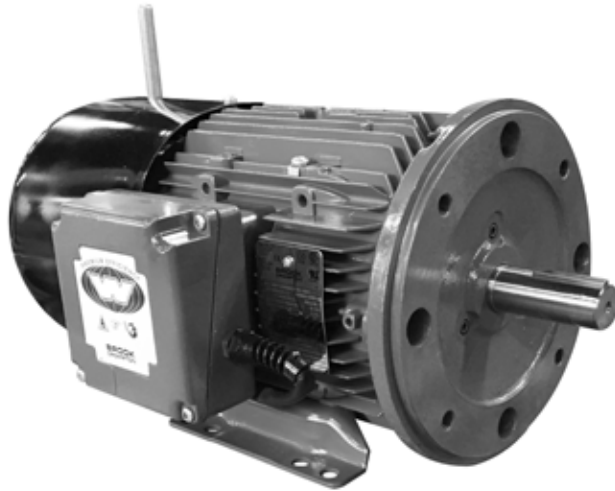
IEC/Metric  
Brake Motor

HP	Kw	RPM	Frame	Voltage	P/N	FL Eff.	L Dim. (mm)	FL Amps	LBS	Notes
125	90	3000	280S	380-415 V	AN2M125-ED	94.1	1070	146.50	1532	BS, X, EX, RF
		1500	280S	380-415 V	AN4M125-ED	94.2	1090	151.30	1532	BS, X, EX, RF
		1000	315S	380-415 V	AN6M125-ED	94	1215	158.10	2380	BS, X, EX, RF
150	110	3000	280M	380-415 V	AN2M150-ED	94.3	1115	177.30	1914	BS, X, EX, RF
		1500	280M	380-415 V	AN4M150-ED	94.5	1145	184.10	1914	BS, X, EX, RF
		1000	315M	380-415 V	AN6M150-ED	94.3	1245	189.90	2560	BS, X, EX, RF
200	150	3000	315M	380-415 V	AN2M200-ED	94.7	1215	238.10	2560	BS, X, EX, RF
		1500	315M	380-415 V	AN4M200-ED	94.9	1245	247.70	2560	BS, X, EX, RF

**Discount Category 18**



**W Series Brake Motors IEC 71-132M - TEFC  
Cast Aluminum Construction**



Three Phase Brake Motors With Lightweight High Performance Cast Aluminum Frames. Features Include:

- 1.25 service factor at 60Hz, 1.0 service factor at 50Hz
- Class F insulation with class B temperature rise
- Removable/ repositionable feet for easy conversion to F1, F2, F3 (F0), or round body configuration
- Motor: IP55 degree of protection for washdown duty enclosure
- Full contact shaft seals inside both brackets for increased protection against contaminants
- Brake: IP23 degree of protection
- Dual rated 60/50Hz at same HP
- Cast aluminum conduit box with drilled and tapped entry is rotatable in 90 degree increments
- Internal tropicproof

IEC/Metric  
Aluminum

IEC/Metric  
Cast Iron

ATEX EEXD IIB  
Explosion Proof

ATEX EEXDE IIC  
Explosion Proof

ATEX EEXNA  
Non-Sparking

IEC/Metric  
Brake Motor

	HP	Kw	RPM	Frame	Voltage	P/N	List	Brake Ft. Lbs	FL Eff.	L Dim. (mm)	FL Amps	LBS	Notes
IEC/Metric Aluminum	0.50	0.37	1800	71	230/460 V	BA4M.50V4BRK	\$1,252	3.3	73	295	1.00	21	RF, EU, V
			1800	71	575 V	BA4M.50V5BRK	\$1,252	3.3	73	295	0.80	21	RF, EU, V
			1200	80	230/460 V	BA6M.50V4BRK	\$1,643	11.8	65	335	1.10	27	RF, EU, V
			1200	80	575 V	BA6M.50V5BRK	\$1,643	11.8	65	335	0.90	27	RF, EU, V
IEC/Metric Cast Iron	0.75	0.55	3600	71	230/460 V	BA2M.75V4BRK	\$1,248	3.3	74	295	1.20	23	RF, EU, V
			3600	71	575 V	BA2M.75V5BRK	\$1,248	3.3	74	295	1.00	23	RF, EU, V
			1800	80	230/460 V	BA4M.75V4BRK	\$1,640	11.8	77	335	1.40	29	RF, EU, V
			1800	80	575 V	BA4M.75V5BRK	\$1,640	11.8	77	335	1.10	29	RF, EU, V
			1200	80	230/460 V	BA6M.75V4BRK	\$1,672	11.8	71	335	1.50	33	RF, EU, V
			1200	80	575 V	BA6M.75V5BRK	\$1,672	11.8	71	335	1.20	33	RF, EU, V
ATEX EEXD IIB Explosion Proof	1	0.75	3600	80	230/460 V	BA2M001V4BRK	\$1,697	11.8	77	335	1.39	33	RF, EU, V
			3600	80	575 V	BA2M001V5BRK	\$1,697	11.8	77	335	1.11	33	RF, EU, V
			1800	80	230/460 V	PA4M001-4BRK	\$2,099	11.8	77	335	1.80	33	RF, EU
			1800	80	575 V	PA4M001-5BRK	\$2,099	11.8	77	335	1.40	33	RF, EU
			1200	90S/L	230/460 V	BA6M001V4BRK	\$2,116	11.8	82.5	454	1.61	55	RF, EU, V
			1200	90S/L	575 V	BA6M001V5BRK	\$2,116	11.8	82.5	454	1.29	55	RF, EU, V
ATEX EEXDE IIC Explosion Proof	1.5	1.1	3600	80	230/460 V	BA2M1.5V4BRK	\$1,753	11.8	84	335	2.32	33	RF, EU, V
			3600	80	575 V	BA2M1.5V5BRK	\$1,753	11.8	84	335	1.86	33	RF, EU, V
			1800	90S/L	230/460 V	BA4M1.5V4BRK	\$2,099	11.8	86.5	454	2.05	49	RF, EU, V
			1800	90S/L	575 V	BA4M1.5V5BRK	\$2,099	11.8	86.5	454	1.64	49	RF, EU, V
ATEX EEXNA Non-Sparking	2	1.5	3600	90S/L	230/460 V	BA2M002V4BRK	\$2,118	11.8	85.5	454	2.47	49	RF, EU, V
			3600	90S/L	575 V	BA2M002V5BRK	\$2,118	11.8	85.5	454	1.98	49	RF, EU, V
			1800	90S/L	230/460 V	BA4M002V4BRK	\$2,174	11.8	86.5	454	2.65	53	RF, EU, V
			1800	90S/L	575 V	BA4M002V5BRK	\$2,174	11.8	86.5	454	2.12	53	RF, EU, V
IEC/Metric Brake Motor	3	2.2	3600	90S/L	230/460 V	BA2M003V4BRK	\$2,192	11.8	86.5	454	3.55	49	RF, EU, V
			3600	90S/L	575 V	BA2M003V5BRK	\$2,192	11.8	86.5	454	2.84	49	RF, EU, V
			1800	100L	230/460 V	BA4M003V4BRK	\$2,448	29.5	89.5	499	3.76	97	RF, EU, V
			1800	100L	575 V	BA4M003V5BRK	\$2,448	29.5	89.5	499	3.01	97	RF, EU, V
IEC/Metric Brake Motor	4	3	3600	100L	230/460 V	BA2M004V4BRK	\$2,511	29.5	88.5	499	4.73	97	RF, EU, V
			3600	100L	575 V	BA2M004V5BRK	\$2,511	29.5	88.5	499	3.79	97	RF, EU, V
			1800	100L	230/460 V	BA4M004V4BRK	\$2,520	29.5	89.5	499	5.01	97	RF, EU, V
			1800	100L	575 V	BA4M004V5BRK	\$2,520	29.5	89.5	499	4.01	97	RF, EU, V
IEC/Metric Brake Motor	5.5	4	3600	112M	230/460 V	BA2M5.5V4BRK	\$2,840	29.5	88.5	532	6.23	112	RF, EU, V
			3600	112M	575 V	BA2M5.5V5BRK	\$2,840	29.5	88.5	532	4.99	112	RF, EU, V
			1800	112M	230/460 V	BA4M5.5V4BRK	\$2,832	29.5	89.5	532	6.76	112	RF, EU, V
			1800	112M	575 V	BA4M5.5V5BRK	\$2,832	29.5	89.5	532	7.47	112	RF, EU, V
IEC/Metric Brake Motor	7.5	5.5	3600	132S/M	230/460 V	BA2M7.5V4BRK	\$3,448	44.25	89.5	600	8.57	145	RF, EU, V
			3600	132S/M	575 V	BA2M7.5V5BRK	\$3,448	44.25	89.5	600	6.86	145	RF, EU, V
			1800	132S/M	230/460 V	BA4M7.5V4BRK	\$3,548	44.25	91.7	600	8.96	145	RF, EU, V
			1800	132S/M	575 V	BA4M7.5V5BRK	\$3,548	44.25	91.7	600	7.17	145	RF, EU, V
IEC/Metric Brake Motor	10	7.5	3600	132S/M	230/460 V	BA2M010V4BRK	\$3,566	44.25	90.2	600	11.50	145	RF, EU, V
			3600	132S/M	575 V	BA2M010V5BRK	\$3,566	44.25	90.2	600	9.17	145	RF, EU, V
			1800	132S/M	230/460 V	BA4M010V4BRK	\$3,894	44.25	91.7	600	12.20	165	RF, EU, V
			1800	132S/M	575 V	BA4M010V5BRK	\$3,894	44.25	91.7	600	9.78	165	RF, EU, V

Discount Category **15**

230/460V motors supplied with 230V coil. 460V coil is available with "-9BRK" suffix.

# W Series Brake Motors IEC 71-132M - TEFC B14 (C-Face With B3 Removable Feet) - Cast Aluminum



HP	Kw	RPM	Frame	Voltage	P/N	List	Brake Ft. Lbs	FL Eff.	L Dim. (mm)	FL Amps	LBS	Notes
0.50	0.37	1800	71	230/460 V	BA4M.50V4CBRK	\$1,292	3.3	73	295	1.00	25	RF, EU, V
		1800	71	575 V	BA4M.50V5CBRK	\$1,292	3.3	73	295	0.80	25	RF, EU, V
		1200	80	230/460 V	BA6M.50V4CBRK	\$1,688	11.8	65	335	1.10	31	RF, EU, V
		1200	80	575 V	BA6M.50V5CBRK	\$1,688	11.8	65	335	0.90	31	RF, EU, V
0.75	0.55	3600	71	230/460 V	BA2M.75V4CBRK	\$1,293	3.3	74	295	1.20	25	RF, EU, V
		3600	71	575 V	BA2M.75V5CBRK	\$1,293	3.3	74	295	1.00	25	RF, EU, V
		1800	80	230/460 V	BA4M.75V4CBRK	\$1,685	11.8	77	335	1.40	33	RF, EU, V
		1800	80	575 V	BA4M.75V5CBRK	\$1,685	11.8	77	335	1.10	33	RF, EU, V
		1200	80	230/460 V	BA6M.75V4CBRK	\$1,717	11.8	71	335	1.50	33	RF, EU, V
		1200	80	575 V	BA6M.75V5CBRK	\$1,717	11.8	71	335	1.20	33	RF, EU, V
1	0.75	3600	80	230/460 V	BA2M001V4CBRK	\$1,742	11.8	77	335	1.39	37	RF, EU, V
		3600	80	575 V	BA2M001V5CBRK	\$1,742	11.8	77	335	1.11	37	RF, EU, V
		1800	80	230/460 V	PA4M001-4CBRK	\$2,149	11.8	77	335	1.80	37	RF, EU
		1800	80	575 V	PA4M001-5CBRK	\$2,149	11.8	77	335	1.40	37	RF, EU
		1200	90S/L	230/460 V	BA6M001V4CBRK	\$2,166	11.8	82.5	454	1.61	59	RF, EU, V
		1200	90S/L	575 V	BA6M001V5CBRK	\$2,166	11.8	82.5	454	1.29	59	RF, EU, V
1.5	1.1	3600	80	230/460 V	BA2M1.5V4CBRK	\$1,803	11.8	84	335	2.32	37	RF, EU, V
		3600	80	575 V	BA2M1.5V5CBRK	\$1,803	11.8	84	335	1.86	37	RF, EU, V
		1800	90S/L	230/460 V	BA4M1.5V4CBRK	\$2,149	11.8	86.5	454	2.05	53	RF, EU, V
		1800	90S/L	575 V	BA4M1.5V5CBRK	\$2,149	11.8	86.5	454	1.64	53	RF, EU, V
2	1.5	3600	90S/L	230/460 V	BA2M002V4CBRK	\$2,168	11.8	85.5	454	2.47	53	RF, EU, V
		3600	90S/L	575 V	BA2M002V5CBRK	\$2,168	11.8	85.5	454	1.98	53	RF, EU, V
		1800	90S/L	230/460 V	BA4M002V4CBRK	\$2,224	11.8	86.5	454	2.65	57	RF, EU, V
		1800	90S/L	575 V	BA4M002V5CBRK	\$2,224	11.8	86.5	454	2.12	57	RF, EU, V
3	2.2	3600	90S/L	230/460 V	BA2M003V4CBRK	\$2,242	11.8	86.5	454	3.55	53	RF, EU, V
		3600	90S/L	575 V	BA2M003V5CBRK	\$2,242	11.8	86.5	454	2.84	53	RF, EU, V
		1800	100L	230/460 V	BA4M003V4CBRK	\$2,518	29.5	89.5	499	3.76	104	RF, EU, V
		1800	100L	575 V	BA4M003V5CBRK	\$2,518	29.5	89.5	499	3.01	104	RF, EU, V
4	3	3600	100L	230/460 V	BA2M004V4CBRK	\$2,581	29.5	88.5	499	4.73	72	RF, EU, V
		3600	100L	575 V	BA2M004V5CBRK	\$2,581	29.5	88.5	499	3.79	72	RF, EU, V
		1800	100L	230/460 V	BA4M004V4CBRK	\$2,590	29.5	89.5	499	5.01	72	RF, EU, V
		1800	100L	575 V	BA4M004V5CBRK	\$2,590	29.5	89.5	499	4.01	72	RF, EU, V
5.5	4	3600	112M	230/460 V	BA2M5.5V4CBRK	\$2,920	29.5	88.5	532	6.23	88	RF, EU, V
		3600	112M	575 V	BA2M5.5V5CBRK	\$2,920	29.5	88.5	532	4.99	88	RF, EU, V
		1800	112M	230/460 V	BA4M5.5V4CBRK	\$2,912	29.5	89.5	532	6.76	88	RF, EU, V
		1800	112M	575 V	BA4M5.5V5CBRK	\$2,912	29.5	89.5	532	7.47	88	RF, EU, V
7.5	5.5	3600	132S/M	230/460 V	BA2M7.5V4CBRK	\$3,573	44.25	89.5	600	8.57	125	RF, EU, V
		3600	132S/M	575 V	BA2M7.5V5CBRK	\$3,573	44.25	89.5	600	6.86	125	RF, EU, V
		1800	132S/M	230/460 V	BA4M7.5V4CBRK	\$3,673	44.25	91.7	600	8.96	125	RF, EU, V
		1800	132S/M	575 V	BA4M7.5V5CBRK	\$3,673	44.25	91.7	600	7.17	125	RF, EU, V
10	7.5	3600	132S/M	230/460 V	BA2M010V4CBRK	\$3,691	44.25	90.2	600	11.50	125	RF, EU, V
		3600	132S/M	575 V	BA2M010V5CBRK	\$3,691	44.25	90.2	600	9.17	125	RF, EU, V
		1800	132S/M	230/460 V	BA4M010V4CBRK	\$4,019	44.25	91.7	600	12.20	138	RF, EU, V
		1800	132S/M	575 V	BA4M010V5CBRK	\$4,019	44.25	91.7	600	9.78	138	RF, EU, V

Discount Category **15**

230/460V motors supplied with 230V coil. 460V coil is available with "-9BRK" suffix.

IEC/Metric  
Aluminum

IEC/Metric  
Cast Iron

ATEX EEXD IIB  
Explosion Proof

ATEX EEXDE IIC  
Explosion Proof

ATEX EEXNA  
Non-Sparking

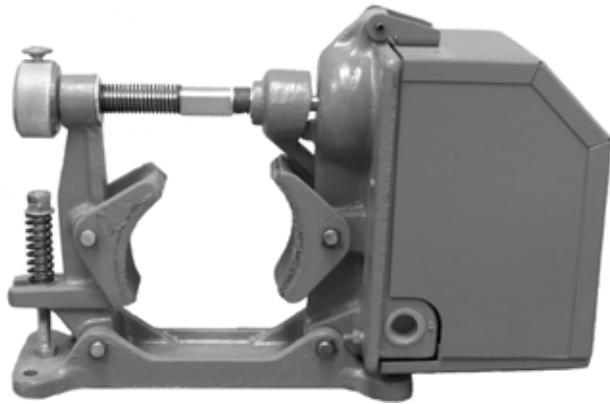
IEC/Metric  
Brake Motor

**W Series Brake Motors IEC 71-132M - TEFC  
B5 (D-Flange With B3 Removable Feet) - Cast Aluminum**

	HP	Kw	RPM	Frame	Voltage	P/N	List	Brake Ft. Lbs	FL Eff.	L Dim. (mm)	FL Amps	LBS	Notes
IEC/Metric Aluminum	0.50	0.37	1800	71	230/460 V	BA4M.50V4DBRK	\$1,292	3.3	73	295	1.00	25	RF, EU, V
			1800	71	575 V	BA4M.50V5DBRK	\$1,292	3.3	73	295	0.80	25	RF, EU, V
			1200	80	230/460 V	BA6M.50V4DBRK	\$1,688	11.8	65	335	1.10	31	RF, EU, V
			1200	80	575 V	BA6M.50V5DBRK	\$1,688	11.8	65	335	0.90	31	RF, EU, V
IEC/Metric Cast Iron	0.75	0.55	3600	71	230/460 V	BA2M.75V4DBRK	\$1,293	3.3	74	295	1.20	25	RF, EU, V
			3600	71	575 V	BA2M.75V5DBRK	\$1,293	3.3	74	295	1.00	25	RF, EU, V
			1800	80	230/460 V	BA4M.75V4DBRK	\$1,685	11.8	77	335	1.40	33	RF, EU, V
			1800	80	575 V	BA4M.75V5DBRK	\$1,685	11.8	77	335	1.10	33	RF, EU, V
			1200	80	230/460 V	BA6M.75V4DBRK	\$1,717	11.8	71	335	1.50	33	RF, EU, V
			1200	80	575 V	BA6M.75V5DBRK	\$1,717	11.8	71	335	1.20	33	RF, EU, V
ATEX EEXD IIB Explosion Proof	1	0.75	3600	80	230/460 V	BA2M001V4DBRK	\$1,742	11.8	78	335	1.60	37	RF, EU, V
			3600	80	575 V	BA2M001V5DBRK	\$1,742	11.8	78	335	1.30	37	RF, EU, V
			1800	80	230/460 V	PA4M001-4DBRK	\$1,746	11.8	77	335	1.80	37	RF, EU
			1800	80	575 V	PA4M001-5DBRK	\$1,746	11.8	77	335	1.40	37	RF, EU
			1200	90S/L	230/460 V	BA6M001V4DBRK	\$2,166	11.8	82.5	454	1.61	59	RF, EU, V
			1200	90S/L	575 V	BA6M001V5DBRK	\$2,166	11.8	82.5	454	1.29	59	RF, EU, V
ATEX EEXDE IIC Explosion Proof	1.5	1.1	3600	80	230/460 V	BA2M1.5V4DBRK	\$1,803	11.8	79	335	2.30	37	RF, EU, V
			3600	80	575 V	BA2M1.5V5DBRK	\$1,803	11.8	79	335	1.80	37	RF, EU, V
			1800	90S/L	230/460 V	BA4M1.5V4DBRK	\$2,149	11.8	86.5	454	2.10	53	RF, EU, V
			1800	90S/L	575 V	BA4M1.5V5DBRK	\$2,149	11.8	86.5	454	1.60	53	RF, EU, V
ATEX EEXNA Non-Sparking	2	1.5	3600	90S/L	230/460 V	BA2M002V4DBRK	\$2,168	11.8	85.5	454	2.60	53	RF, EU, V
			3600	90S/L	575 V	BA2M002V5DBRK	\$2,168	11.8	85.5	454	2.00	53	RF, EU, V
			1800	90S/L	230/460 V	BA4M002V4DBRK	\$2,224	11.8	86.5	454	2.90	57	RF, EU, V
			1800	90S/L	575 V	BA4M002V5DBRK	\$2,224	11.8	86.5	454	2.30	57	RF, EU, V
ATEX EEXNA Non-Sparking	3	2.2	3600	90S/L	230/460 V	BA2M003V4DBRK	\$2,242	11.8	86.5	454	3.50	53	RF, EU, V
			3600	90S/L	575 V	BA2M003V5DBRK	\$2,242	11.8	86.5	454	2.80	53	RF, EU, V
			1800	100L	230/460 V	BA4M003V4DBRK	\$2,518	29.5	89.5	499	3.90	104	RF, EU, V
			1800	100L	575 V	BA4M003V5DBRK	\$2,518	29.5	89.5	499	3.10	104	RF, EU, V
IEC/Metric Brake Motor	4	3	3600	100L	230/460 V	BA2M004V4DBRK	\$2,581	29.5	88.5	499	4.90	72	RF, EU, V
			3600	100L	575 V	BA2M004V5DBRK	\$2,581	29.5	88.5	499	3.90	72	RF, EU, V
			1800	100L	230/460 V	BA4M004V4DBRK	\$2,590	29.5	89.5	499	5.50	72	RF, EU, V
			1800	100L	575 V	BA4M004V5DBRK	\$2,590	29.5	89.5	499	4.40	72	RF, EU, V
IEC/Metric Brake Motor	5.5	4	3600	112M	230/460 V	BA2M5.5V4DBRK	\$2,920	29.5	88.5	532	5.90	88	RF, EU, V
			3600	112M	575 V	BA2M5.5V5DBRK	\$2,920	29.5	88.5	532	4.70	88	RF, EU, V
			1800	112M	230/460 V	BA4M5.5V4DBRK	\$2,912	29.5	89.5	532	6.20	88	RF, EU, V
			1800	112M	575 V	BA4M5.5V5DBRK	\$2,912	29.5	89.5	532	5.00	88	RF, EU, V
IEC/Metric Brake Motor	7.5	5.5	3600	132S/M	230/460 V	BA2M7.5V4DBRK	\$3,573	44.25	89.5	600	8.40	125	RF, EU, V
			3600	132S/M	575 V	BA2M7.5V5DBRK	\$3,573	44.25	89.5	600	6.70	125	RF, EU, V
			1800	132S/M	230/460 V	BA4M7.5V4DBRK	\$3,673	44.25	91.7	600	9.80	125	RF, EU, V
			1800	132S/M	575 V	BA4M7.5V5DBRK	\$3,673	44.25	91.7	600	7.80	125	RF, EU, V
IEC/Metric Brake Motor	10	7.5	3600	132S/M	230/460 V	BA2M010V4DBRK	\$3,691	44.25	90.2	600	11.60	125	RF, EU, V
			3600	132S/M	575 V	BA2M010V5DBRK	\$3,691	44.25	90.2	600	9.20	125	RF, EU, V
			1800	132S/M	230/460 V	BA4M010V4DBRK	\$4,019	44.25	91.7	600	13.20	138	RF, EU, V
			1800	132S/M	575 V	BA4M010V5DBRK	\$4,019	44.25	91.7	600	10.50	138	RF, EU, V

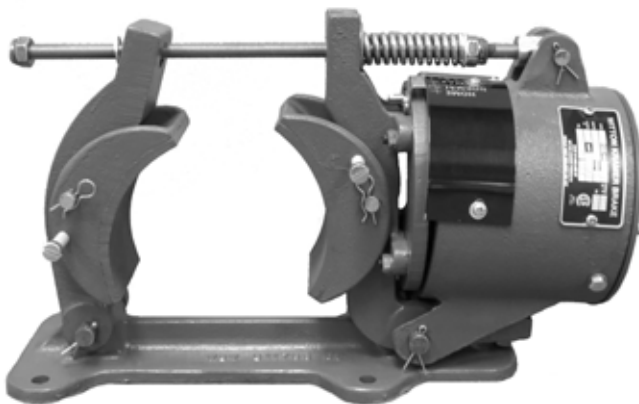
Discount Category **15**

230/460V motors supplied with 230V coil. 460V coil is available with “-9BRK” suffix.



The Perigrip Brake Is A Well Proven Design With a Laminated Steel Magnet System. The Design Incorporates The Following Features:

- High quality cast iron construction
- Brakes fitted with manual release lever as standard
- Self-adjusting spring-loaded shoe
- A welded steel hinged cover protects the complete magnet assembly against dust and damage
- Class B insulation
- CSA approved

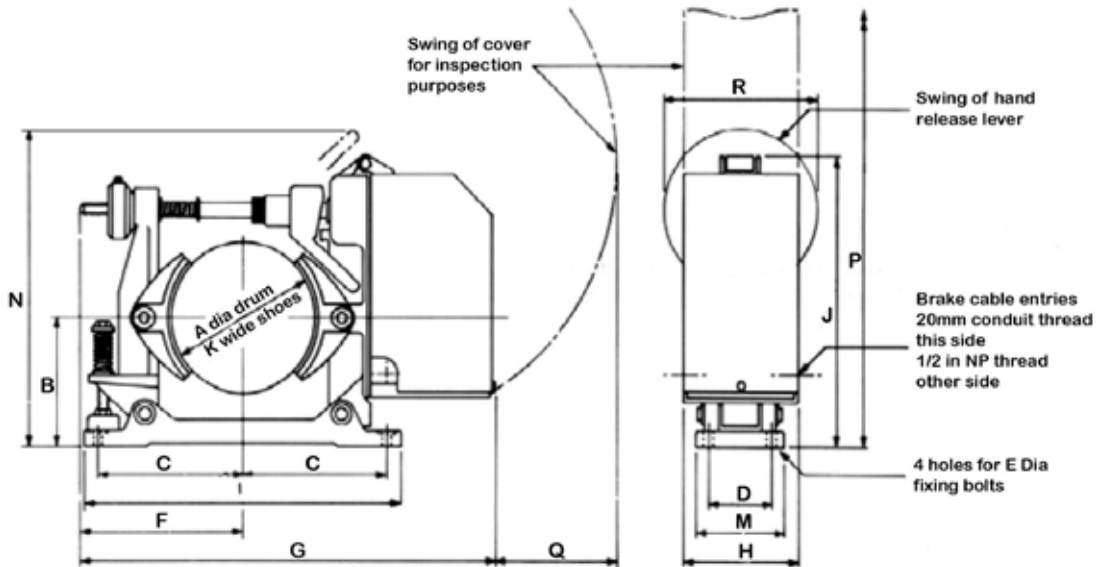


The PM Brake's Long Established and Well Proven Cast Iron Design Has Stainless Steel Pivot Pins And Is Suitable For a Wide Range of Industrial Applications. The Design Incorporates The Following Features:

- Main components are of cast steel, and high quality cast iron
- Spring and all machined steel parts are plated
- Brake fitted with manual release lever as standard
- 8 hour rated in any period of 24 hours
- Friction device prevents brake shoes from dragging on the drum when the brake is off
- Weatherproof construction, with encapsulated magnet coil
- CSA approved

Size	Voltage	P/N	List	Brake Ft. Lbs	G Dim. (IN.)	LBS
4"	230/460 V	404745	\$2,986	18	14.625	35
	575 V	404713	\$2,986	18	14.625	35
6"	230/460 V	406744	\$4,298	60	19.25	70
	575 V	406713	\$4,298	60	19.25	70
8"	230/460 V	408751	\$5,169	120	22.875	100
	575 V	408713	\$5,169	120	22.875	100
10"	230/460 V	410746	\$6,843	250	28.5	185
	575 V	410703	\$6,843	250	28.5	185
12"	230/460 V	412749	\$9,281	400	32.0	265
	575 V	412709	\$9,281	400	32.0	265

Discount Category **40**



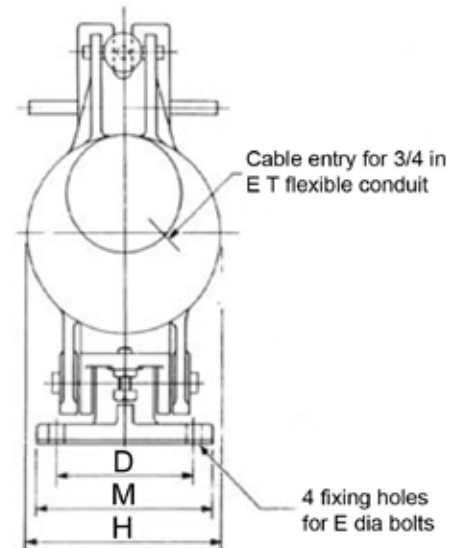
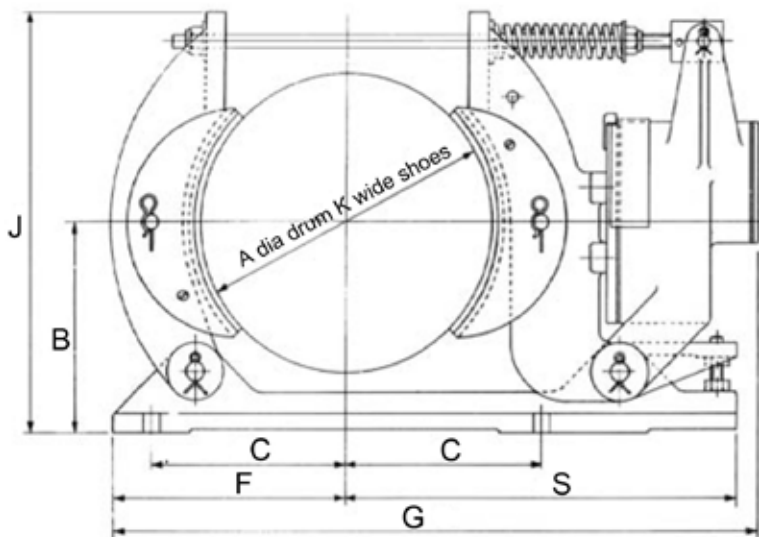
A (dia) Inch	Ret torque lbf ft	B	C	D	E	F	G	H	J	K	L
4	18	4.0	4.5	2.5	0.312	5.25	14.625	4.875	9.375	1.9	10
6	60	5.5	6.125	3.0	0.375	6.5	19.25	6.0	12.625	2.5	13.5
8	120	6.75	8.0	3.5	0.5	8.625	22.875	6.375	15.375	3.25	17.5
10	250	8.5	9.5	4.5	0.5	10.25	28.5	6.5	18.5	4.0	20.5
12	400	10.25	11	5.0	0.625	12.25	32.0	7.0	22.0	2.75	24

A (dia) Inch	M	N	P	Q	R	T	Gross Mass lb	Consumption VA	Inrush VA
4	3.5	9.625	18.875	5.0	4.75	10	35	170	Approx 10 times
6	4.25	13	24.875	5.25	6.0	13.5	70	270	
8	5.0	16.75	28.125	7.25	8.5	17.5	100	300	
10	6.0	19.5	37.0	9.0	8.5	20.5	185	380	
12	7.0	23.25	43.0	10.5	10	24	265	770	

# PM Witton Kramer Brakes

Size	Voltage	P/N	List	Brake Ft. Lbs	G Dim. (IN.)	LBS
4"	90 V DC	PM04.1012B.4F2B	\$3,449	22	12.0	25
	230/460 V	PM04.1062S.4F2B	\$3,449	22	12.0	25
	575 V	PM04.1046J.4F2B	\$2,935	22	12.0	25
6"	90 V DC	PM06.2103C.4G2B	\$4,710	60	14.875	56
	230/460 V	PM06.2108M.4G2B	\$4,710	60	14.875	56
	575 V	PM06.2027Q.4G2B	\$4,123	60	14.875	56
8"	90 V DC	PM08.3077C.4G2B	\$5,712	155	19.75	110
	230/460 V	PM08.3083V.4G2B	\$5,712	155	19.75	110
	575 V	PM08.3044G.4G2B	\$5,016	155	19.75	110
10"	90 V DC	PM10.4109C.4G2B	\$7,305	265	23.75	150
	230/460 V	PM10.4108V.4G2B	\$7,305	265	23.75	150
	575 V	PM10.4044G.4G2B	\$6,518	265	23.75	150
12"	90 V DC	PM12.5092C.4G2B	\$9,900	405	28.625	220
	230/460 V	PM12.5096V.4G2B	\$9,900	405	28.625	220
	575 V	PM12.5045G.4G2B	\$8,963	405	28.625	220
15"	90 V DC	PM15.6060C.4O2B	\$17,282	960	33.25	400
	230/460 V	PM15.6087V.4G2B	\$17,282	960	33.25	400
	575 V	PM15.6072G.4D2B	\$15,775	960	33.25	400

Discount Category **41**



A (dia) Inch	Ret torque lbf ft	B	C	D	E	F	G	H	J	K	M	S	Weight lbs	Consumption VA
4	22	3.375	3.0	3.0	0.312	3.75	12.0	3.875	6.0	2.0	4.0	5.75	25	65
6	60	4.75	4.0	4.0	0.375	5.0	14.875	5.5	9.0	3.0	5.0	8.0	56	80
8	155	6.0	5.5	4.5	0.375	6.5	19.75	6.875	11.5	4.0	5.625	12.5	110	150
10	265	7.0	6.5	5.0	0.5	8.0	23.75	7.625	13.5	4.0	7.0	14.125	150	200
12	405	8.75	8.5	6.0	0.625	10.25	28.625	8.125	17.0	5.0	8.0	17.125	220	250
15	960	10.5	10.0	7.0	0.75	12.0	33.25	10.125	21.0	6.0	9.0	22.0	400	350
18	1680	13.0	12.0	9.0	0.75	15.0	39.5	12.125	25.25	8.0	11.5	24.0	660	460
21	2900	15.0	14.0	10.0	0.75	17.5	42.75	15.625	28.25	9.0	13.0	25.5	950	600
24	4800	15.5	15.0	11.0	1.0	17.5	43.0	20.75	30.625	10.0	13.5	28.375	1375	700

The following are the most commonly used methods of mounting electric motors.

SLIDE RAILS									
FRAME	143/5T	182/4T	213/5T	254/6T	284/6T	324/6T	364/5T	404/5T	444/5T
STOCK No.	2800001	2800003	2800005	2800007	2800009	2800011	2800013	2800015	2800017
LIST	\$41	\$67	\$67	\$116	\$116	\$232	\$232	\$373	\$373

SLIDE BASES (Double adjustment screw type)											
FRAME	56	143T	145T	182T	184T	213T	215T	254T	256T	284T	286T
STOCK No.	5800000	5800001	5800002	5800003	5800004	5800005	5800006	5800007	5800008	5800009	5800010
LIST	\$58	\$58	\$58	\$71	\$71	\$91	\$91	\$104	\$104	\$112	\$112

FRAME	324T	326T	364T	365T	404T	405T	444T	445T	447T	504	505
STOCK No.	5800011	5800012	5800013	5800014	5800015	5800016	5800017	5800018	5800019	5800020	5800021
LIST	\$140	\$140	\$171	\$171	\$272	\$272	\$341	\$341	\$356	\$694	\$694

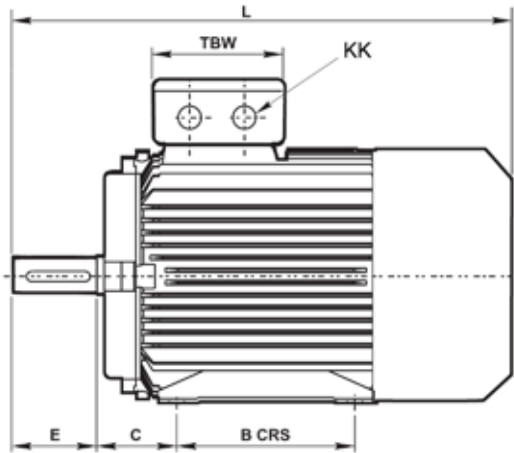
TRANSITION BASES			
RERATED FRAME SIZE	FORMER FRAME	STOCK No	LIST
143T, 145T	182,184	1814T	\$38
182T, 184T	213, 215	2118T	\$49
213T, 215T	254U, 256U	25U21T	\$55
254T,256T	284U, 286U	28U25T	\$60
284T, 286T	324U, 326U	32U28T	\$95
284TS, 286TS	326S	32S28TS	\$207
324T, 326T	364U, 365U	36U32T	\$109
364TS, 365TS	404U, 405U	40U36T	\$120
364TS, 365TS	404US, 405US	40US36TS	\$362
364T, 365T	444US, 445US	44US36TS	\$362
404T, 405T	444U, 445U	44U40T	\$152
404TS, 405TS	444US,445US	44US40TS	\$420

Discount Category **30**

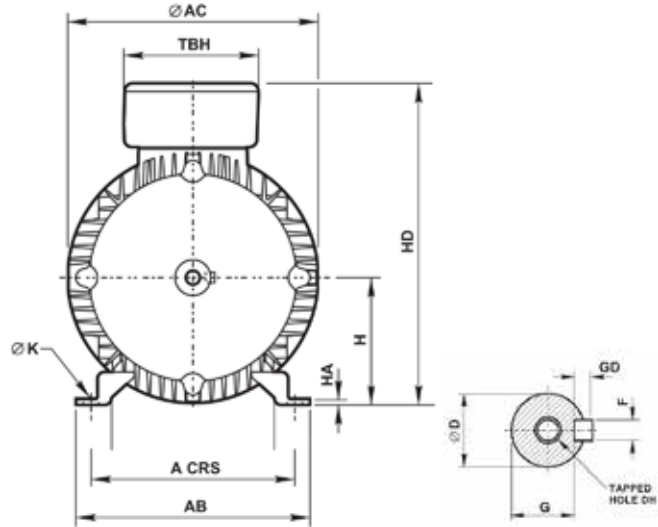


**STOCK MODIFICATIONS FOR TEFC MOTORS**

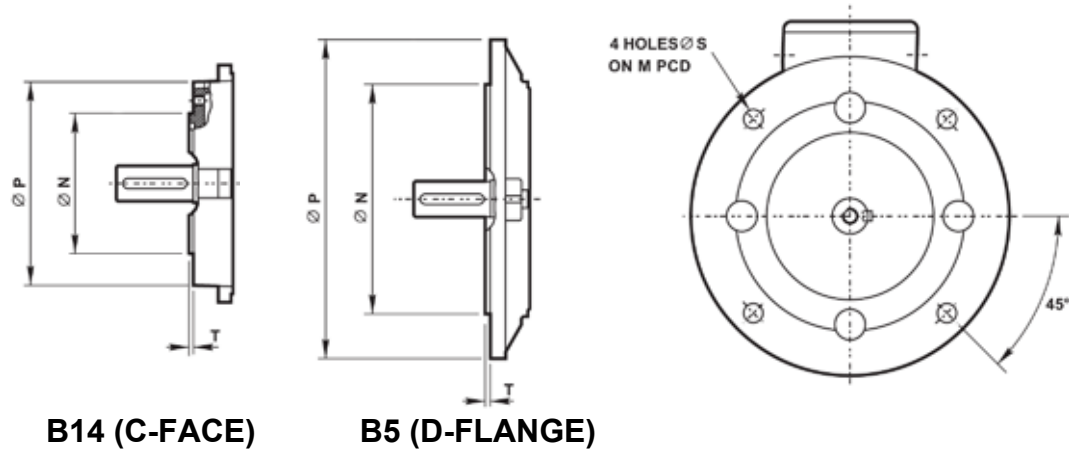
<b>FRAME - NEMA</b>	<b>56</b>	<b>143/5</b>	<b>182/4</b>	<b>213/5</b>	<b>254/6</b>	<b>284/6</b>	<b>324/6</b>	<b>364/5</b>	<b>404/5</b>	<b>444/5</b>	<b>504/5</b>
<b>FRAME - METRIC</b>	<b>63/80</b>	<b>90</b>	<b>100/112</b>	<b>132</b>	<b>160</b>	<b>180</b>	<b>200</b>	<b>225</b>	<b>250</b>	<b>280</b>	<b>315</b>
<b>TEFC MODIFICATIONS</b>											
<b>SHAFTS</b>											
MODIFIED (2)	\$180	\$216	\$255	\$315	\$450	\$536	\$646	\$880	\$1,077	\$1,545	\$1,915
SINGLE ENDED (1)	\$607	\$681	\$779	\$932	\$1,175	\$1,550	\$2,028	\$2,815	\$3,690	\$5,218	\$6,068
DOUBLE ENDED (1)	\$910	\$1,022	\$1,169	\$1,398	\$1,763	\$2,325	\$2,535	\$3,518	\$4,613	\$6,524	\$7,585
<b>BLANKING PLATE WITH TAPPED HOLE</b>											
	\$266	\$266	\$336	\$414	\$486	\$557	<b>PRICING ON REQUEST</b>				
EXTENDED LEADS UP TO 3'	\$235	\$235	\$245	\$295	\$355	\$450	\$570	\$685	\$980	\$1,215	\$1,450
SEALED BEARINGS	\$50	\$70	\$100	\$205	\$265	\$450	\$560	\$780	<b>PRICING ON REQUEST</b>		
BALL BEARING TO ROLLER					\$530	\$900	\$1,210	\$1,560	\$1,750	\$2,025	\$2,300
EPOXY SPRAY/DIP & BAKE	\$250	\$250	\$320	\$470	\$500	\$525	\$700	\$840	\$1,290	\$1,600	\$2,100
NAMEPLATES	\$110	\$110	\$110	\$110	\$110	\$110	\$110	\$110	\$110	\$110	\$110
TERMINAL BOARDS	\$100	\$100	\$150	\$150	\$200	\$200	\$320	\$320	\$470	\$470	\$470
CORROSION RESISTANT (3)	\$355	\$420	\$480	\$700	\$805	\$995	\$1,295	<b>PRICING ON REQUEST</b>			
TROPIC PROOF (4)	\$225	\$250	\$265	\$390	\$410	\$430	\$560	\$665	\$1,035	\$1,265	\$1,430
WEATHERPROOF IP56 (5)	\$306	\$367	\$429	\$651	\$753	\$944	\$1,241	<b>PRICING ON REQUEST</b>			
THERMISTORS/KLIXONS (6)	\$435	\$435	\$435	\$475	\$505	\$545	\$885	\$985	\$1,160	\$1,335	\$1,540
HEATERS 110 OR 220 VOLTS		\$490	\$490	\$680	\$820	\$820	\$885	\$950	\$980	\$1,105	\$1,275
DRIP COVERS	\$150	\$150	\$175	\$270	\$340	\$460	\$520	\$575	<b>PRICING ON REQUEST</b>		
AEGIS GROUNDING RING	\$420	\$450	\$470	\$540	\$645	\$690	\$730	\$840	\$1,128	\$1,260	\$1,310
ENCODERS	<b>PRICING ON REQUEST</b>										
SHAFT GROUNDING BRUSH	<b>PRICING ON REQUEST</b>										
FORCED VENT BLOWERS	<b>PRICING ON REQUEST</b>										
FEET IN PAIRS	\$75	\$86	\$106	\$157	\$218	\$294	\$376	\$527	\$601	\$903	
CUSTOM PAINT	<b>PRICING ON REQUEST</b>										



**B3 (FOOT MOUNTED)**



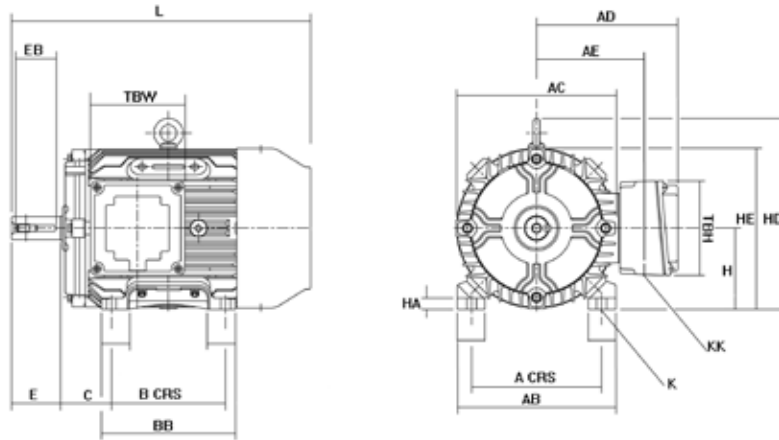
Frame Size	FOOT MOUNTING				SHAFT					GENERAL						
	H	A	B	C	D	E	F	G	K	AB	HD	AC	TBW	TBH	KK	
63	63	100	80	40	11	23	4	8.5	7	119	163	126	86	86	1 X CM20	
71	71	112	90	45	14	30	5	11	7	131	163	140	86	86	1 X CM20	
80M	80	125	100	50	19	40	6	15.5	10	157	212	157	86	86	1 X CM20	
90S	90	140	100	56	24	50	8	20	10	164	225	178	86	86	1 X CM20	
90L	90	140	125	56	24	50	8	20	10	164	225	178	86	86	1 X CM20	
100L	100	160	140	63	28	60	8	24	12	164	267	178	127	127	2 X CM20	
112M	112	190	140	70	28	60	8	24	12	218	279	215	127	127	2 X CM25	
132S	132	216	140	89	38	80	10	33	12	242	332	255	127	127	2 X CM25	
132M	132	216	178	89	38	80	10	33	12	242	332	255	127	127	2 X CM25	
160M	160	254	210	108	42	110	12	37	15	304	400	312	140	140	2 X CM32	
160L	160	254	254	108	42	110	12	37	15	304	400	312	140	140	2 X CM32	
180M	180	279	241	121	48	110	14	42.5	15	329	400	354	140	140	2 X CM32	
180L	180	279	279	121	48	110	14	42.5	15	329	400	354	140	140	2 X CM32	
200L	200	318	305	133	55	110	16	49	19	386	525	410	220	161	-	
225S	2	225	356	286	149	55	110	16	49	M16	426	550	410	220	161	-
	4,8					60	140	18	53							
225M	2	225	356	311	149	55	110	16	49	M16	426	570	448	220	161	-
	4,6,8					60	140	18	53							
250M	2	250	406	349	168	60	140	18	53	M20	482	595	448	220	161	-
	4,6,8					65	140	18	58							
280S	2	280	457	368	190	65	140	18	58	M20	540	655	508	220	161	-
	4,6,8					75	140	20	67.5							
280M	2	280	457	419	190	65	140	18	58	M20	540	655	508	220	161	-
	4,6,8					75	140	20	67.5							
315S	2	315	508	406	216	65	170	18	58	M24	597	845	563	330	326	-
	4,6,8					80	170	20	71							
315M	2	315	508	457	216	65	170	18	58	M24	597	845	563	330	326	-
	4,6,8					80	170	20	71							
315L	2	315	508	508	216	65	170	18	58	M24	597	875	640	330	326	-
	4,6,8					80	170	20	71							



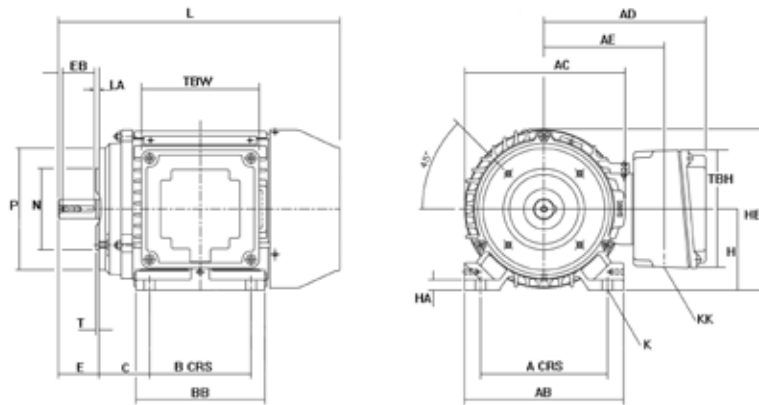
**B14 (C-FACE)**

**B5 (D-FLANGE)**

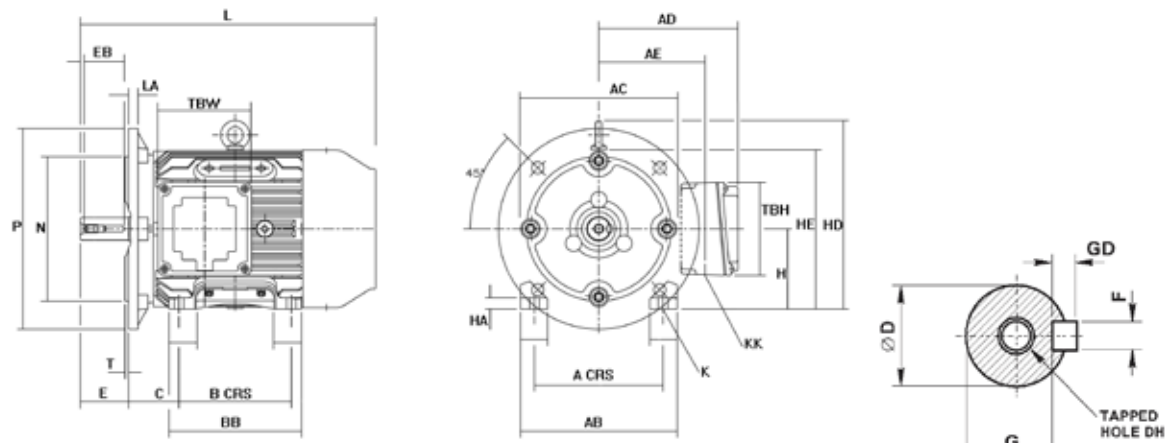
Frame Size	D FLANGE (B5)					C FACE (B14)				
	N	M	P	S	T	N	M	P	S	T
63	95	115	140	10	3	60	75	90	M5	2.5
71	110	130	160	10	3.5	70	85	105	M6	2.5
80M	130	165	200	12	3.5	80	100	120	M6	3.0
90S	130	165	200	12	3.5	95	115	140	M8	3.0
90L	130	165	200	12	3.5	95	115	140	M8	3.0
100L	180	215	250	14.5	4	110	130	160	M8	3.5
112M	180	215	250	14.5	4	110	130	160	M8	3.5
132S	230	265	300	14.5	4	130	165	200	M10	3.5
132M	230	265	300	14.5	4	130	165	200	M10	3.5
160M	250	300	350	18.5	5	180	215	250	M12	4.0
160L	250	300	350	18.5	5	180	215	250	M12	4.0
180M	250	300	350	18.5	5	-	-	-	-	-
180L	250	300	350	18.5	5	-	-	-	-	-
200L	300	350	400	19	5	-	-	-	-	-
225S	350	400	450	19	5	-	-	-	-	-
225M	350	400	450	19	5	-	-	-	-	-
250M	450	500	550	19	5	-	-	-	-	-
280S	450	500	550	19	5	-	-	-	-	-
280M	450	500	550	19	5	-	-	-	-	-
315S	450	500	550	19	5	-	-	-	-	-
315M	550	600	650	24	6	-	-	-	-	-
315L	550	600	650	24	6	-	-	-	-	-



**FOOT MOUNTED**



**C FACE MOUNTED**



**D FLANGE MOUNTED**

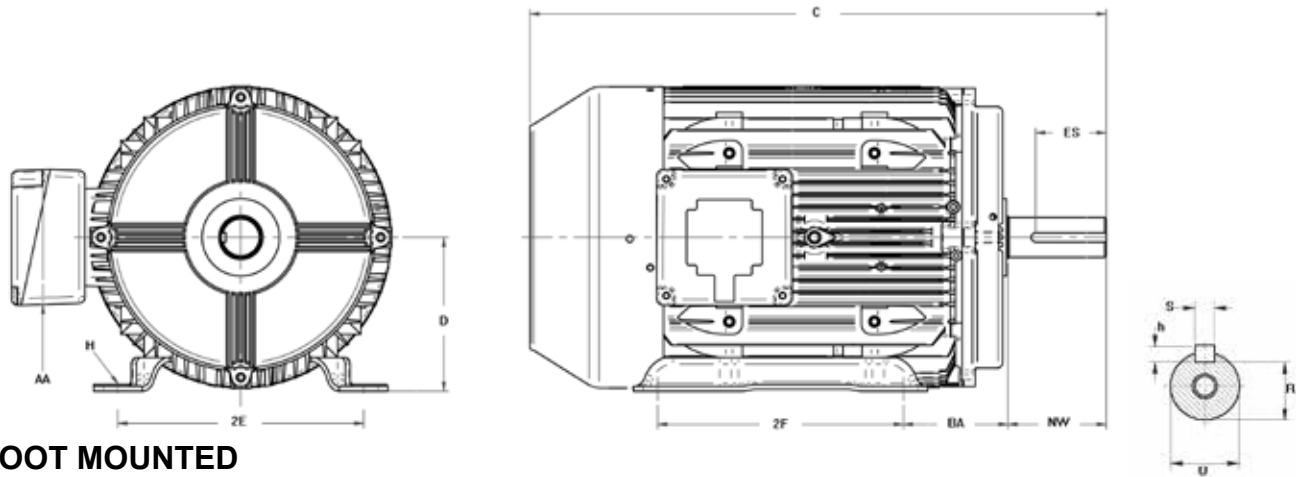
# IEC British Standard TEFC Dimensions

## Frame Sizes 80 - 315

GENERAL														
FRAME	A	B	C	H	K	AA	AB	BB	HA	AC	HD	TBW	TBH	KK
80M	125	100	50	80	10	35	157	127	10	156	236	120	120	20
80S	125	100	50	80	10	35	157	127	10	156	236	120	120	20
90S	140	100	56	90	10	35	164	150	12	178	225	120	120	20
90L	140	125	56	90	10	35	164	150	12	178	225	120	120	20
100L	160	140	63	100	12	34	184	170	14	199	254	120	120	20
112M	190	140	70	112	12	40	218	170	16	215	279	135	135	25
132S	216	140	89	132	12	47	242	208	16	255	320	135	135	25
132M	216	178	89	132	12	47	242	208	16	255	320	135	135	25
160M	254	210	108	160	15	55	304	304	22	314	400	174	174	32
160L	254	254	108	160	15	55	304	304	22	314	400	174	174	32
180M	279	241	121	180	15	64	329	329	22	358	440	174	174	32
180L	279	279	121	180	15	64	329	329	22	358	440	174	174	32
200L	318	305	133	200	19	74	382	369	30	358	460	176	176	
225S	356	286	149	225	M16	70	426	349	25	410	550	220	285	
225M	356	311	149	225	M16	70	426	374	25	448	570	220	285	
250S	406	311	168	250	M20	79	482	381	28	448	595	220	285	
250M	406	349	168	250	M20	79	482	419	35	508	625	220	285	
280S	457	368	190	280	M20	83	540	438	35	508	655	220	285	
280M	457	419	190	280	M20	83	540	487	38	563	810	220	285	
315S	508	406	216	315	M24	89	597	483	38	563	845	330	326	
315M	508	457	216	315	M24	89	597	533	38	640	875	330	326	
315L	508	508	216	315	M24	89	597	583	38	640	875	330	326	

D FLANGE (B5)							C FACE (B14)						SHAFT DRIVE END										
FRAME	M	N	P	S	T	LA	FRAME	M	N	P	S	T	LA	FRAME	D	E	F	G	GD	EB	ED	DH	
63	115	95	140	10	3	7	63	75	60	90	M5	2.5	7	63	11	23	4	8.5	4	10	0	M4X10	
71	130	110	160	10	3.5	7	71	85	70	105	M6	2.5	9	71	14	30	5	11	5	20	5	M5X12.5	
80	165	130	200	12	3.5	12	80	100	80	120	M6	3.0	9	80	19	40	6	15.5	6	32	4	M6X16	
90S/L	165	130	200	12	3.5	10	90S/L	115	95	140	M8	3.0	9	90S/L	24	50	8	20	7	40	5	M8X19	
100L	215	180	250	14.5	4	12	100L	130	110	160	M8	3.5	12.5	100L	28	60	8	23.9	7	50	5	M10X22	
112M	215	180	250	14.5	4	12	112M	130	110	164	M8	3.5	13	112M	28	60	8	23.9	7	50	5	M10X22	
132S/M	265	230	300	14.5	4	12	132S/M	165	130	200	M10	3.5	14	132S/M	38	80	10	33	8	70	5	M12X28	
160M/L	300	250	350	18.5	5	13	160M/L	215	180	250	M14	4.0	13	160M/L	42	110	12	37	8	100	5	M16X36	
180M/L	300	250	350	18.5	5	15	180M/L	-	-	-	-	-	-	180M/L	48	110	14	42.5	9	100	5	M16X36	
200L	350	300	400	19	5	19	200L	-	-	-	-	-	-	200L	55	110	16	49	10	100	5	M20X42	
225S/M	400	350	450	19	5	19	225S/M	-	-	-	-	-	-	-	-	-	-	-	-	-	-	-	-
250S/M	500	450	550	19	5	25	250S/M	-	-	-	-	-	-	-	-	-	-	-	-	-	-	-	-
280S/M	500	450	550	19	5	25	280S/M	-	-	-	-	-	-	-	-	-	-	-	-	-	-	-	-
315S/M/L	600	550	660	24	6	29	315S/M/L	-	-	-	-	-	-	-	-	-	-	-	-	-	-	-	-

SHAFT DRIVE END																	
1800 RPM >									3600 RPM								
FRAME	D	E	F	G	GD	EB	ED	DH	FRAME	D	E	F	G	GD	EB	ED	DH
225S	60	140	18	53	11	125	5	M20X42	225S	55	110	16	49	10	100	5	M20X42
225M	60	140	18	53	11	125	5	M20X42	225M	55	110	16	49	10	100	5	M20X43
250S	70	140	20	62.5	12	125	5	M20X42	250S	60	140	18	53	11	125	5	M20X44
250M	70	140	20	62.5	12	125	5	M20X42	250M	60	140	18	53	11	125	5	M20X45
280S	80	170	22	71	14	160	5	M20X42	280S	65	140	18	58	11	125	5	M20X46
280M	80	170	22	71	14	160	5	M20X42	280M	65	140	18	58	11	125	5	M20X47
315S	85	170	22	76	14	160	5	M20X42	315S	65	140	18	58	11	125	5	M20X48
315M	85	170	22	76	14	160	5	M20X42	315M	65	140	18	58	11	125	5	M20X49
315L	85	170	22	76	14	160	5	M20X42	315L	65	140	18	58	11	125	5	M20X50

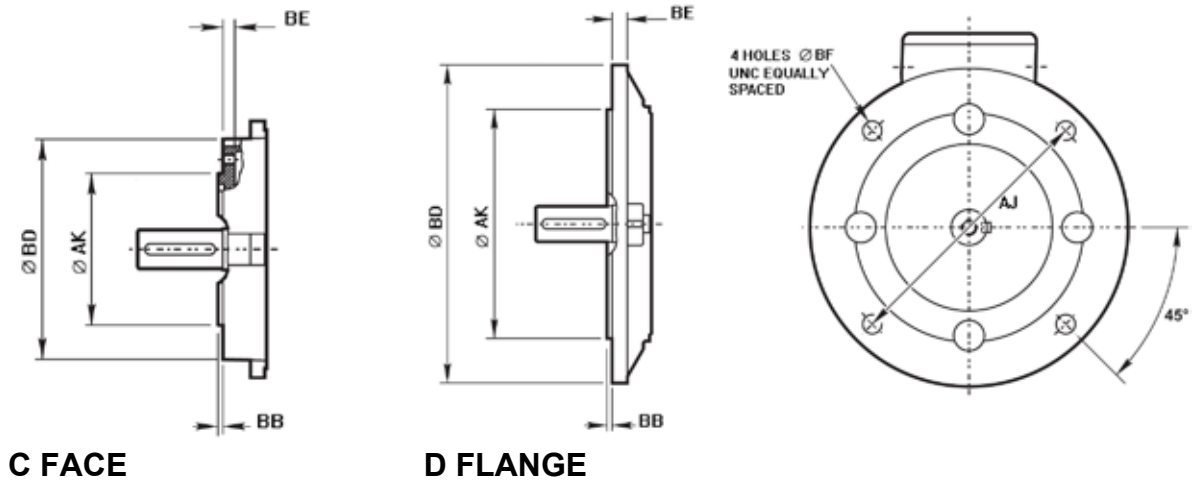


**FOOT MOUNTED**

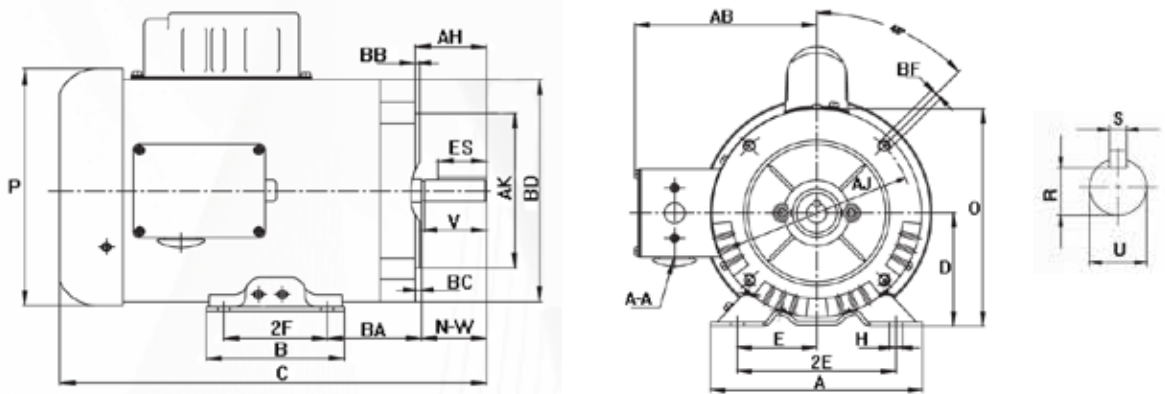
Frame Size	FOOT INSTALLATION DIM.				SHAFT INSTALLATION DIM.						GENERAL DIM.	
	2E	2F	H	BA	N-W	U	S	AH	R	ES	D	AA
56	4.87	3.0	0.34	2.75	1.875	0.625	0.187	2.062	0.517	1.37	3.50	0.50
143T	5.5	4.0	0.34	2.25	2.25	0.875	0.187	2.125	0.771	1.37	3.50	0.75
145T		5.0	0.34	2.25	2.25	0.875	0.187	2.125	0.771	1.37	3.50	0.75
182T	7.5	4.5	0.50	2.75	2.75	1.125	0.25	2.625	0.986	1.88	4.50	0.75
184T		5.5	0.50	2.75	2.75	1.125	0.25	2.625	0.986	1.88	4.50	0.75
213T	8.5	5.5	0.50	3.50	3.375	1.375	0.312	3.125	1.201	2.38	5.25	1.00
215T		7.0	0.50	3.50	3.375	1.375	0.312	3.125	1.201	2.38	5.25	1.00
254T	10	8.25	0.59	4.25	4.00	1.625	0.375	3.75	1.416	2.87	6.25	1.25
256T		10	0.59	4.25	4.00	1.625	0.375	3.75	1.416	2.87	6.25	1.25
284T	11	9.5	0.59	4.75	4.625	1.875	0.50	4.375	1.591	3.25	7.00	1.50
284TS		9.5	0.59	4.75	3.25	1.625	0.375	3.00	1.416	1.87	7.00	1.50
286T	11	11	0.59	4.75	4.625	1.875	0.50	4.375	1.591	3.25	7.00	1.50
286TS		11	0.59	4.75	3.25	1.625	0.375	3.00	1.416	1.87	7.00	1.50
324T	12.5	10.50	0.63	5.25	5.25	2.13	0.50	5.00	1.845	4.75	8.00	2.00
324TS		10.50	0.63	5.25	3.75	1.88	0.50	3.50	1.591	3.25	8.00	2.00
326T	12.5	12	0.63	5.25	5.25	2.13	0.50	5.00	1.845	4.75	8.00	2.00
326TS		12	0.63	5.25	3.75	1.88	0.50	3.50	1.591	3.25	8.00	2.00
364T	14	11.25	0.63	5.88	5.88	2.38	0.63	5.38	2.021	5.00	9.00	3.00
364TS		11.25	0.63	5.88	3.75	1.88	0.50	3.50	1.591	3.25	9.00	3.00
365T	14	12.25	0.63	5.88	5.88	2.38	0.63	5.38	2.021	5.00	9.00	3.00
365TS		12.25	0.63	5.88	3.75	1.88	0.50	3.50	1.591	3.25	9.00	3.00
404T	16	12.25	0.75	6.63	7.25	2.88	0.75	7.25	2.450	6.50	10.00	3.00
404TS		12.25	0.75	6.63	4.25	2.13	0.50	4.00	1.845	3.25	10.00	3.00
405T	16	13.75	0.75	6.63	7.25	2.88	0.75	7.25	2.450	6.50	10.00	3.00
405TS		13.75	0.75	6.63	4.25	2.13	0.50	4.00	1.845	3.25	10.00	3.00
444T	18	14.50	0.75	7.50	8.50	3.38	0.88	8.25	2.880	7.00	11.00	3.00
444TS		14.50	0.75	7.50	4.75	2.38	0.63	4.50	2.021	4.13	11.00	3.00
445T	18	16.50	0.75	7.50	8.50	3.38	0.88	8.25	2.880	7.00	11.00	3.00
445TS		16.50	0.75	7.50	4.75	2.38	0.63	4.50	2.021	4.13	11.00	3.00
447T	18	20	0.75	7.50	8.50	3.38	0.88	8.25	2.880	7.00	11.00	3.00
447TS		20	0.75	7.50	4.75	2.38	0.63	4.50	2.021	4.13	11.00	3.00
504Z	20	16	1.00	8.50	9.25	3.63	0.88	9.00	3.134	8.50	12.50	3.00
504SZ		16	1.00	8.50	5.50	2.75	0.63	5.25	2.402	4.88	12.50	3.00
505Z	20	18	1.00	8.50	9.25	3.63	0.88	9.00	3.134	8.50	12.50	3.00
505SZ		18	1.00	8.50	5.50	2.75	0.63	5.25	2.402	4.88	12.50	3.00
585Z	24	20	1.00	10.00	10.00	3.88	1.00	10.00	3.309	9.75	14.50	3.00
585SZ		20	1.00	10.00	7.75	3.00	0.75	7.75	2.569	7.75	14.50	3.00
586Z	24	22	1.00	10.00	10.00	3.88	1.00	10.00	3.309	9.75	14.50	3.00
586SZ		22	1.00	10.00	7.75	3.00	0.75	7.75	2.569	7.75	14.50	3.00

# NEMA TEFC Dimensions - 3 Phase Motors

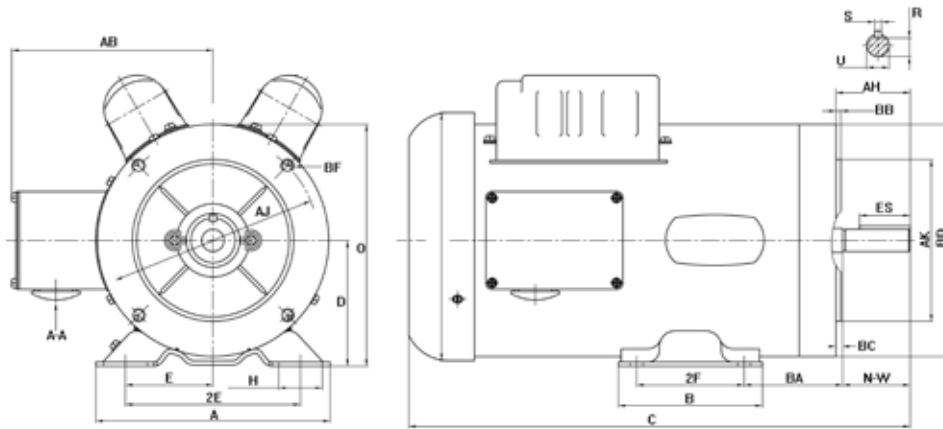
## Frame Sizes 56 - 586



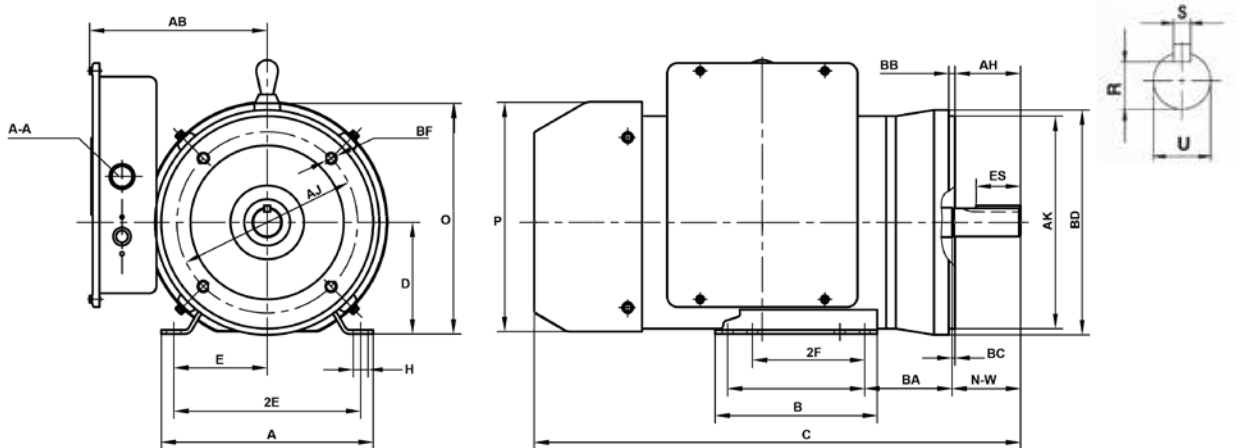
Frame Size	D FLANGE DIMENSIONS					C FACE DIMENSIONS				
	AJ	AK	BB	BD	BF	AJ	AK	BB	BD	BF
56	-	-	-	-	-	5.87	4.5	0.12	6.5	0.37
143T	10	9	0.25	11	0.53	5.87	4.5	0.12	6.5	0.37
145T	10	9	0.25	11	0.53	7.25	8.5	0.16	9	0.50
182T	10	9	0.25	11	0.53	7.25	8.5	0.25	6.5	0.50
184T	10	9	0.25	11	0.53	7.25	8.5	0.25	6.5	0.50
182TCH	-	-	-	-	-	5.88	4.5	0.16	6.5	0.38
184TCH	-	-	-	-	-	5.88	4.5	0.25	6.5	0.38
213T	10	9	0.25	11	0.53	7.25	8.5	0.25	9	0.50
215T	10	9	0.25	11	0.53	7.25	8.5	0.25	9	0.50
254T	12.50	11	0.25	14	0.81	7.25	8.5	0.25	9.84	0.50
256T	12.50	11	0.25	14	0.81	7.25	8.5	0.25	9.84	0.50
284T	12.50	11	0.25	14	0.81	9	10.5	0.25	11.25	0.50
286T	12.50	11	0.25	14	0.81	9	10.5	0.25	11.25	0.50
284TS	12.50	11	0.25	14	0.81	9	10.5	0.25	11.25	0.50
286TS	12.50	11	0.25	14	0.81	9	10.5	0.25	11.25	0.50
324T	16	14	0.25	17.75	0.81	11	12.50	0.25	13	0.63
326T	16	14	0.25	17.75	0.81	11	12.50	0.25	13	0.63
324TS	16	14	0.25	17.75	0.81	11	12.50	0.25	13	0.63
326TS	16	14	0.25	17.75	0.81	11	12.50	0.25	13	0.63
364T	16	14	0.25	17.75	0.81	11	12.50	0.25	13.75	0.63
365T	16	14	0.25	17.75	0.81	11	12.50	0.25	13.75	0.63
364TS	16	14	0.25	17.75	0.81	11	12.50	0.25	13.75	0.63
365TS	16	14	0.25	17.75	0.81	11	12.50	0.25	13.75	0.63
404T	20	18	0.25	21.63	0.81	11	12.50	0.25	14.50	0.63
405T	20	18	0.25	21.63	0.81	11	12.50	0.25	14.50	0.63
404TS	20	18	0.25	21.63	0.81	11	12.50	0.25	14.50	0.63
405TS	20	18	0.25	21.63	0.81	11	12.50	0.25	14.50	0.63
444T	20	18	0.25	21.63	0.81	14	16	0.25	17.50	0.63
445T	20	18	0.25	21.63	0.81	14	16	0.25	17.50	0.63
444TS	20	18	0.25	21.63	0.81	14	16	0.25	17.50	0.63
445TS	20	18	0.25	21.63	0.81	14	16	0.25	17.50	0.63
447T	20	18	0.25	21.63	0.81	14	16	0.25	17.50	0.63
449T	20	18	0.25	21.63	0.81	14	16	0.25	17.50	0.63
447TS	20	18	0.25	21.63	0.81	14	16	0.25	17.50	0.63
449TS	20	18	0.25	21.63	0.81	14	16	0.25	17.50	0.63
504SZ	22	18	0.25	25	0.94	14.50	16.50	0.25	17.50	0.63
504Z	22	18	0.25	25	0.94	14.50	16.50	0.25	17.50	0.63
505SZ	22	18	0.25	25	0.94	14.50	16.50	0.25	17.50	0.63
505Z	22	18	0.25	25	0.94	14.50	16.50	0.25	17.50	0.63
585SZ	29.13	26.77	0.25	31.50	0.94	-	-	-	-	-
585Z	29.13	26.77	0.25	31.50	0.94	-	-	-	-	-
586SZ	29.13	26.77	0.25	31.50	0.94	-	-	-	-	-
586Z	29.13	26.77	0.25	31.50	0.94	-	-	-	-	-



*Note: 0.33 - 1 HP*



*Note: 1.5 - 2 HP*



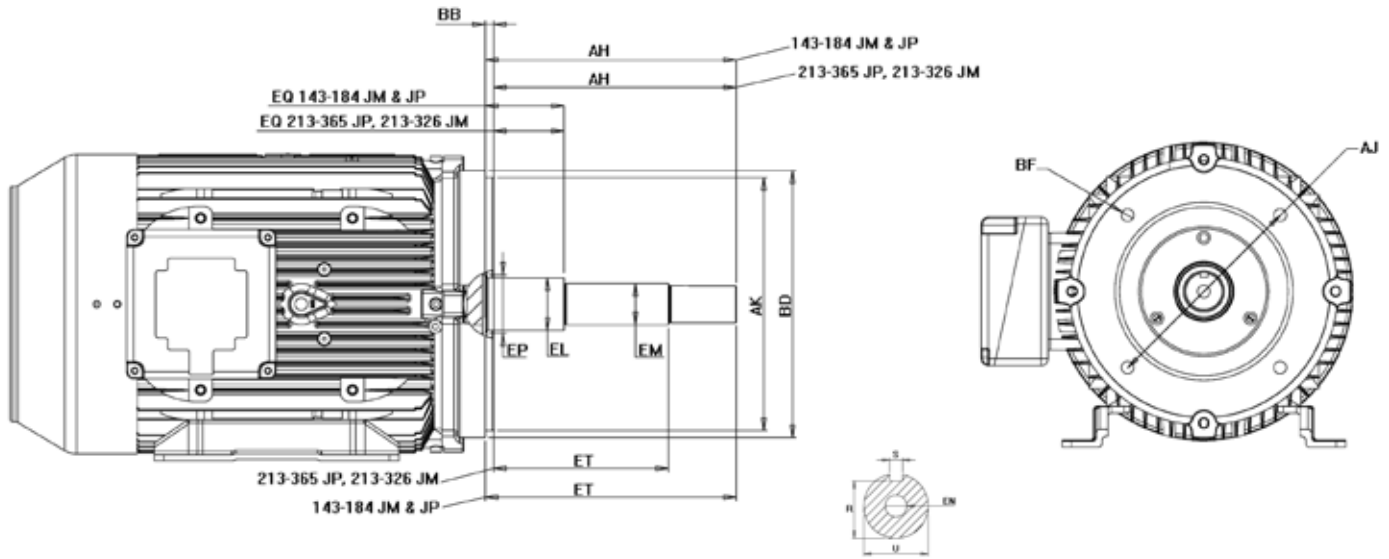
*Note: 3 - 7.5 HP*



**NEMA TEFC Dimensions - Single Phase Motors**  
**Frame Sizes 56C - 213TC**

Frame	AB	BA	A	B	D	E	2F-1	2F-2	N-W	O	R	S	U
56C	5.6	2.75	6.5	4.2	3.5	2.44	3	-	1.875	6.7	0.517	0.188	0.625
143TC	5.6	2.75	7	6.2	3.5	2.75	4	5	2.125	8.7	0.77	0.188	0.875
145TC	5.6	2.75	7	6.2	3.5	2.75	4	5	2.125	8.1	0.77	0.188	0.875
182TC	7.2	3.50	8.5	6.5	4.5	3.75	4.5	5.5	2.75	10.95	0.986	0.25	1.125
184TC	7.2	3.50	8.5	6.5	4.5	3.75	4.5	5.5	2.75	10.95	0.986	0.25	1.125
213TC	9.5	4.25	9.85	7.95	5.25	4.25	5.5	5.5	3.375	12.25	1.201	0.312	1.375

Frame	ES	AA	BF	BB	BD	BC	AH	AJ	AK
56C	1.41	0.50	3/8-16	0.16	6.5	0.19	2.06	5.875	4.5
143TC	1.41	0.75	4-3/8-16	0.16	6.5	0.12	2.12	5.875	4.5
145TC	1.41	0.75	4-3/8-16	0.16	6.5	0.12	2.12	5.875	4.5
182TC	1.78	0.95	4-1/2-13	0.25	9	0.25	2.62	7.25	8.5
184TC	1.78	0.95	4-1/2-13	0.25	9	0.25	2.62	7.25	8.5
213TC	2.41	1.1	4-1/2-13	0.25	9	0.25	3.12	7.25	8.5



**JM Dimensions**

Frame	U	AH	AJ	AK	BB	BD Max.	BF			EL	EM	EN				EQ	ER Min.	Keyseat			ET
							No.	Tap Size	Bolt Pen. Allow			Tap Size	Tap Drill Depth Max.	Bolt Pen. Allow.	EP Min.			R	ES Min.	S	
143JM & 145JM	0.8745	4.281	5.875	4.500	0.156	6.62	4	3/8-16	0.56	1.156	1.0000	3/8-16	1.12	0.75	1.156	0.640	4.25	0.771-	1.65	0.190-	2.890
	0.8740	4.219		4.497	0.125					1.154	0.9995					0.610		0.756		0.188	
182JM & 184JM	0.8745	4.281	5.875	4.500	0.156	6.62	4	3/8-16	0.56	1.250	1.0000	3/8-16	1.12	0.75	1.250	0.640	4.25	0.771-	1.65	0.190-	2.890
	0.8740	4.219		4.497	0.125					1.248	0.9995					0.610		0.756		0.188	
213JM & 215JM	0.8745	4.281	7.250	8.500	0.312	9.00	4	1/2-13	0.75	1.250	1.0000	3/8-16	1.12	0.75	1.750	0.640	4.25	0.771-	1.65	0.190-	2.890
	0.8740	4.219		8.497	0.250					1.248	0.9995					0.610		0.756		0.188	
254JM & 256JM	1.2495	5.281	7.250	8.500	0.312	10.00	4	1/2-13	0.75	1.750	1.375	1/2-13	1.50	1.00	1.750	0.640	5.25	1.112-	2.53	0.252-	3.015
	1.2490	5.219		8.497	0.250					1.748	1.345					0.610		1.097		0.250	
284JM & 286JM	1.2495	5.281	11.00	12.500	0.312	14.00	4	5/8-11	0.94	1.750	1.375	1/2-13	1.50	1.00	2.125	0.645	5.25	1.112-	2.53	0.252-	3.020
	1.2490	5.219		12.495	0.250					1.748	1.345					0.605		1.097		0.250	
324JM & 326JM	1.2495	5.281	11.00	12.500	0.312	14.00	4	5/8-11	0.94	1.750	1.375	1/2-13	1.50	1.00	2.125	0.645	5.25	1.112-	2.53	0.252-	3.020
	1.2490	5.219		12.495	0.250					1.748	1.345					0.605		1.097		0.250	
364JM & 365JM	1.2495	5.281	11.00	12.500	0.312	14.00	4	5/8-11	0.94	1.750	1.375	1/2-13	1.50	1.00	2.125	0.645	5.25	1.112-	2.53	0.252-	3.020
	1.2490	5.219		12.495	0.250					1.748	1.345					0.605		1.097		0.250	

**JP Dimensions**

Frame	U	AH	AJ	AK	BB	BD Max.	BF			EL	EM	EN				EQ	ER Min.	Keyseat			ET
							No.	Tap Size	Bolt Pen. Allow			Tap Size	Tap Drill Depth Max.	Bolt Pen. Allow.	EP Min.			R	ES Min.	S	
143JP & 145JP	0.8745	7.343	5.875	4.500	0.156	6.62	4	3/8-16	0.56	1.156	1.0000	3/8-16	1.12	0.75	1.156	1.578	7.312	0.771-	1.65	0.190-	5.952
	0.8740	7.281		4.497	0.125					1.154	0.9995					1.548		0.756		0.188	
182JP & 184JP	0.8745	7.343	5.875	4.500	0.156	6.62	4	3/8-16	0.56	1.250	1.0000	3/8-16	1.12	0.75	1.250	1.578	7.312	0.771-	1.65	0.190-	5.952
	0.8740	7.281		4.497	0.125					1.248	0.9995					1.548		0.756		0.188	
213JP & 215JP	1.2495	8.156	7.250	8.500	0.312	9.00	4	1/2-13	0.75	1.750	1.3750	1/2-13	1.50	1.00	1.750	2.390	8.125	1.112-	2.53	0.252-	5.890
	1.2490	8.094		8.497	0.250					1.748	1.3745					2.360		1.097		0.250	
254JP & 256JP	1.2495	8.156	7.250	8.500	0.312	10.00	4	1/2-13	0.75	1.750	1.3750	1/2-13	1.50	1.00	1.750	2.390	8.125	1.112-	2.53	0.252-	5.890
	1.2490	8.094		8.497	0.250					1.748	1.3745					2.360		1.097		0.250	
284JP & 286JP	1.2495	8.156	11.00	12.500	0.312	14.00	4	5/8-11	0.94	1.750	1.3750	1/2-13	1.50	1.00	2.125	2.390	8.125	1.112-	2.53	0.252-	5.895
	1.2490	8.094		12.495	0.250					1.748	1.3745					2.360		1.097		0.250	
324JP & 326JP	1.2495	8.156	11.00	12.500	0.312	14.00	4	5/8-11	0.94	1.750	1.3750	1/2-13	1.50	1.00	2.125	2.395	8.125	1.112-	2.53	0.252-	5.895
	1.2490	8.094		12.495	0.250					1.748	1.3745					2.355		1.097		0.250	
364JP & 365JP	1.2495	8.156	11.00	12.500	0.312	14.00	4	5/8-11	0.94	2.125	1.7500	1/2-13	1.50	1.00	2.500	2.395	8.125	1.416-	2.53	0.377-	5.895
	1.2490	8.094		12.495	0.250					2.123	1.7495					2.355		1.401		0.375	

\*For standard NEMA foot dimensions see page 108

# IP (Ingress Protection) Definition

## Definition IP (Ingress Protection) IEC Metric Motors

**IP 5 5**

Protection Against Solid Objects			Protection Against Liquids		
#	Brief Description*	Definitions	#	Brief Description*	Definitions
<b>0</b>	Non-protected machines	No special protection	<b>0</b>	Non-protected machines	No special protection
<b>1</b>	Machine protected against solid objects greater than 50 mm**	Accidental or inadvertent contact with or approach to live and moving parts inside the enclosure by a large surface of the human body, such as a hand (but no protection against deliberate access). Ingress of solid objects exceeding 50 mm in diameter	<b>1</b>	Machine protected against dripping water	Dripping water (vertically falling drops) shall have no harmful effect.
<b>2</b>	Machine protected against solid objects greater than 12 mm**	Contact by fingers or similar objects not exceeding 80 mm in length with or approach to live or moving parts inside the enclosure. Ingress of solid objects exceeding 12 mm in diameter.	<b>2</b>	Machine protected against dripping water when tilted up to 15°	Vertically dripping water shall have no harmful effect when the machine is tilted in any angle up to 15° from its normal position
<b>3</b>	Machine protected against solid objects greater than 2.5 mm**	Contact with or approach to live or moving parts inside the enclosure by tools or wires exceeding 2.5 mm in diameter. Ingress of solid objects exceeding 1 mm in diameter.	<b>3</b>	Machine protected against spraying water	Vertically dripping water shall have no harmful effect when the machine is tilted in any angle up to 15° from its normal position
<b>4</b>	Machine protected against solid objects greater than 1mm**	Contact with or approach to live or moving parts inside the enclosure by wires or strips of thickness greater than 1 mm in diameter.	<b>4</b>	Machine protected against splashing water	Water falling as a spray at any angle up to 60° from the vertical shall have no harmful effect
<b>5</b>	Dust-protected machine†	Contact with or approach to live or moving parts inside the enclosure. Ingress of dust is not totally prevented but dust does not enter in sufficient quantity to interfere with satisfactory operation of the machine.	<b>5</b>	Machine protected against water jets	Water projected by a nozzle against the machine from any direction shall have no harmful effect.
<b>6</b>	Dust-tight machine†	Contact with or approach to live or moving parts inside the enclosure. No ingress of dust	<b>6</b>	Machine protected against heavy seas	Water from heavy seas or water projected in powerful jets shall not enter the machine in harmful quantities.

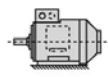
\* The brief description given in column 2 on this table should not be used to specify the form of protection.

\*\* Machines assigned a first characteristic number 1,2,3 or 4 will exclude both regularly or irregularly shaped solid objects provided that three normally perpendicular dimensions of the object exceed the appropriate figure in column "Definition".

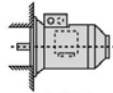
† The degree of protection against dust defined by this standard is a general one. When the nature (dimensions of particles, their nature, for instance fibrous particles) is specified, test conditions should be determined by an agreement between manufacturer and user.

**IEC Mounting Codes**

Horizontal shaft:



IM B3  
IM 1001  
foot mounted



IM B5  
IM 3001  
flange at DE  
no feet



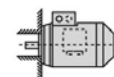
IM B6  
IM 1051  
foot wall mounted with  
feet on left-hand side  
when viewed from DE



IM B7  
IM 1061  
foot wall mounted with  
feet on right-hand side  
when viewed from DE

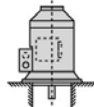


IM B8  
IM 1071  
ceiling mounted  
with feet  
above motor

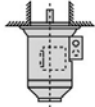


IM B14  
IM 3601  
face at DE  
no feet

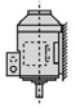
Vertical shaft:



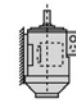
IM V1  
IM 3011  
flange at DE  
shaft down  
no feet



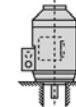
IM V3  
IM 3031  
flange at DE  
shaft up  
no feet



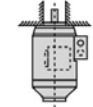
IM V5  
IM 1011  
vertical foot  
wall mounted  
shaft down



IM V6  
IM 1031  
vertical foot  
wall mounted  
shaft up



IM V18  
IM 3611  
face at DE  
shaft down  
no feet



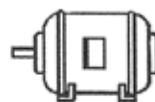
IM V19  
IM 3631  
face at DE  
shaft up  
no feet

**NEMA Mounting Codes**

**FLOOR MOUNTINGS**



ASSEMBLY F-1



ASSEMBLY F-2

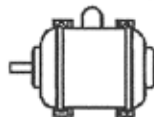


ASSEMBLY F-3

**WALL MOUNTINGS**



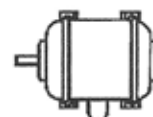
ASSEMBLY W-1



ASSEMBLY W-2



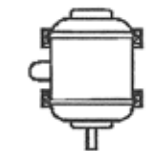
ASSEMBLY W-3



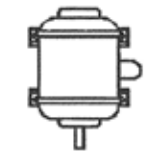
ASSEMBLY W-4



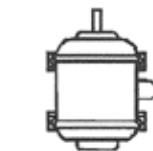
ASSEMBLY W-5



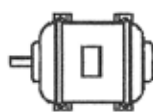
ASSEMBLY W-6



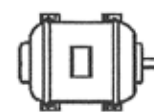
ASSEMBLY W-7



ASSEMBLY W-8



ASSEMBLY W-9



ASSEMBLY W-10



ASSEMBLY W-11



ASSEMBLY W-12

**CEILING MOUNTINGS**



ASSEMBLY C-1



ASSEMBLY C-2



ASSEMBLY C-3

- RF** - Removable feet
- TM** - Thermistors
- TH** - Thermostats
- TF** - Part number may be supplied with "TF" prefix instead of "BF"
- PF** - Part number may be supplied with "PF" prefix instead of "BF"
- PA** - Part number may be supplied with "PA" prefix instead of "BA"
- PC** - Part number may be supplied with "PC" prefix instead of "BC"
- V** - Part number may be supplied with "-" instead of "V"
- RG** - Regreasable bearings
- EU** - Euronorm dimensions
- BS** - British standard dimensions
- EX** - IECex Rated
- X** - Motor for export only

Part #	Page	Part #	Page	Part #	Page	Part #	Page	Part #	Page
404713	94	358E322WC-00	73	AB4M030-ED	75	AC2M025-EC	80	AC4M060-E	78
404745	94	358E322WC-04	76	AB4M1.5-E	72	AC2M025-ED	81	AC4M060-ED	81
406713	94	AB2M002-E	72	AB4M1.5-EC	74	AC2M030-E	78	AC4M075-E	78
406744	94	AB2M002-EC	74	AB4M1.5-ED	75	AC2M030-ED	81	AC4M075-ED	81
408713	94	AB2M002-ED	75	AB4M5.5-E	72	AC2M040-E	78	AC4M1.5-E	78
408751	94	AB2M003-E	72	AB4M5.5-EC	74	AC2M040-ED	81	AC4M1.5-EC	80
410703	94	AB2M003-EC	74	AB4M5.5-ED	75	AC2M050-E	78	AC4M1.5-ED	81
410746	94	AB2M003-ED	75	AB4M7.5-E	72	AC2M050-ED	81	AC4M100-E	78
412709	94	AB2M004-E	72	AB4M7.5-EC	74	AC2M060-E	78	AC4M100-ED	81
412749	94	AB2M004-EC	74	AB4M7.5-ED	75	AC2M060-ED	81	AC4M125-E	79
358E116WC-00	72	AB2M004-ED	75	AB6M001-E	72	AC2M075-E	78	AC4M125-ED	82
358E116WC-04	75	AB2M010-E	72	AB6M001-EC	74	AC2M075-ED	81	AC4M150-E	79
358E117WC-00	72	AB2M010-EC	74	AB6M001-ED	75	AC2M1.5-E	78	AC4M150-ED	82
358E117WC-04	75	AB2M010-ED	75	AB6M002-E	72	AC2M1.5-EC	80	AC4M200-E	79
358E118WC-00	72	AB2M015-E	72	AB6M002-EC	74	AC2M1.5-ED	81	AC4M200-ED	82
358E118WC-04	75	AB2M015-EC	74	AB6M002-ED	75	AC2M100-E	78	AC4M5.5-E	78
358E119WC-00	72	AB2M015-ED	75	AB6M003-E	72	AC2M100-ED	81	AC4M5.5-EC	80
358E119WC-04	75	AB2M020-E	72	AB6M003-EC	74	AC2M125-E	79	AC4M5.5-ED	81
358E120WC-00	72	AB2M020-EC	74	AB6M003-ED	75	AC2M125-ED	82	AC4M7.5-E	78
358E120WC-04	75	AB2M020-ED	75	AB6M004-E	72	AC2M150-E	79	AC4M7.5-EC	80
358E121WC-00	73	AB2M025-E	72	AB6M004-EC	74	AC2M150-ED	82	AC4M7.5-ED	81
358E121WC-04	76	AB2M025-EC	74	AB6M004-ED	75	AC2M200-E	79	AC6M001-E	78
358E122WC-00	73	AB2M025-ED	75	AB6M010-E	72	AC2M200-ED	82	AC6M001-EC	80
358E122WC-04	76	AB2M030-E	72	AB6M010-EC	74	AC2M5.5-E	78	AC6M001-ED	81
358E123WC-00	73	AB2M030-ED	75	AB6M010-ED	75	AC2M5.5-EC	80	AC6M002-E	78
358E123WC-04	76	AB2M1.5-E	72	AB6M015-E	72	AC2M5.5-ED	81	AC6M002-EC	80
358E216WC-00	72	AB2M1.5-EC	74	AB6M015-EC	74	AC2M7.5-E	78	AC6M002-ED	81
358E216WC-04	75	AB2M1.5-ED	75	AB6M015-ED	75	AC2M7.5-EC	80	AC6M003-E	78
358E217WC-00	72	AB2M5.5-E	72	AB6M020-E	72	AC2M7.5-ED	81	AC6M003-EC	80
358E217WC-04	75	AB2M5.5-EC	74	AB6M020-ED	75	AC4M001-E	78	AC6M003-ED	81
358E218WC-00	72	AB2M5.5-ED	75	AB6M1.5-E	72	AC4M001-EC	80	AC6M004-E	78
358E218WC-04	75	AB2M7.5-E	72	AB6M1.5-EC	74	AC4M001-ED	81	AC6M004-EC	80
358E219WC-00	72	AB2M7.5-EC	74	AB6M1.5-ED	75	AC4M002-E	78	AC6M004-ED	81
358E219WC-04	75	AB2M7.5-ED	75	AB6M5.5-E	72	AC4M002-EC	80	AC6M010-E	78
358E220WC-00	72	AB4M001-E	72	AB6M5.5-EC	74	AC4M002-ED	81	AC6M010-EC	80
358E220WC-04	75	AB4M001-EC	74	AB6M5.5-ED	75	AC4M003-E	78	AC6M010-ED	81
358E221WC-00	73	AB4M001-ED	75	AB6M7.5-E	72	AC4M003-EC	80	AC6M015-E	78
358E221WC-04	76	AB4M002-E	72	AB6M7.5-EC	74	AC4M003-ED	81	AC6M015-EC	80
358E222WC-00	73	AB4M002-EC	74	AB6M7.5-ED	75	AC4M004-E	78	AC6M015-ED	81
358E222WC-04	76	AB4M002-ED	75	AC2M002-E	78	AC4M004-EC	80	AC6M020-E	78
358E223WC-00	73	AB4M003-E	72	AC2M002-EC	80	AC4M004-ED	81	AC6M020-ED	81
358E223WC-04	76	AB4M003-EC	74	AC2M002-ED	81	AC4M010-E	78	AC6M025-E	78
358E314WC-00	72	AB4M003-ED	75	AC2M003-E	78	AC4M010-EC	80	AC6M025-ED	81
358E314WC-04	75	AB4M004-E	72	AC2M003-EC	80	AC4M010-ED	81	AC6M030-E	78
358E315WC-00	72	AB4M004-EC	74	AC2M003-ED	81	AC4M015-E	78	AC6M030-ED	81
358E315WC-04	75	AB4M004-ED	75	AC2M004-E	78	AC4M015-EC	80	AC6M040-E	78
358E316WC-00	72	AB4M010-E	72	AC2M004-EC	80	AC4M015-ED	81	AC6M040-ED	81
358E316WC-04	75	AB4M010-EC	74	AC2M004-ED	81	AC4M020-E	78	AC6M050-E	78
358E317WC-00	72	AB4M010-ED	75	AC2M010-E	78	AC4M020-EC	80	AC6M050-ED	81
358E317WC-04	75	AB4M015-E	72	AC2M010-EC	80	AC4M020-ED	81	AC6M060-E	78
358E318WC-00	72	AB4M015-EC	74	AC2M010-ED	81	AC4M025-E	78	AC6M060-ED	81
358E318WC-04	75	AB4M015-ED	75	AC2M015-E	78	AC4M025-ED	81	AC6M075-E	78
358E319WC-00	72	AB4M020-E	72	AC2M015-EC	80	AC4M030-E	78	AC6M075-ED	81
358E319WC-04	75	AB4M020-EC	74	AC2M015-ED	81	AC4M030-ED	81	AC6M1.5-E	78
358E320WC-00	72	AB4M020-ED	75	AC2M020-E	78	AC4M040-E	78	AC6M1.5-EC	80
358E320WC-04	75	AB4M025-E	72	AC2M020-EC	80	AC4M040-ED	81	AC6M1.5-ED	81
358E321WC-00	73	AB4M025-ED	75	AC2M020-ED	81	AC4M050-E	78	AC6M100-E	78
358E321WC-04	76	AB4M030-E	72	AC2M025-E	78	AC4M050-ED	81	AC6M100-ED	81

# Page Index

Part #	Page	Part #	Page	Part #	Page	Part #	Page	Part #	Page
AC6M125-E	79	AN4M001-E	84	AN6M003-ED	87	BA2M.75V4BRK	90	BA2M010V4BRK	90
AC6M125-ED	82	AN4M001-EC	86	AN6M004-E	84	BA2M.75V4C	57	BA2M010V4C	58
AC6M150-E	79	AN4M001-ED	87	AN6M004-EC	86	BA2M.75V4CBRK	91	BA2M010V4CBRK	91
AC6M150-ED	82	AN4M002-E	84	AN6M004-ED	87	BA2M.75V4D	59	BA2M010V4D	60
AC6M5.5-E	78	AN4M002-EC	86	AN6M010-E	84	BA2M.75V4DBRK	92	BA2M010V4DBRK	92
AC6M5.5-EC	80	AN4M002-ED	87	AN6M010-EC	86	BA2M.75V5	55	BA2M010V5	56
AC6M5.5-ED	81	AN4M003-E	84	AN6M010-ED	87	BA2M.75V5BRK	90	BA2M010V5BRK	90
AC6M7.5-E	78	AN4M003-EC	86	AN6M015-E	84	BA2M.75V5C	57	BA2M010V5C	58
AC6M7.5-EC	80	AN4M003-ED	87	AN6M015-EC	86	BA2M.75V5CBRK	91	BA2M010V5CBRK	91
AC6M7.5-ED	81	AN4M004-E	84	AN6M015-ED	87	BA2M.75V5D	59	BA2M010V5D	60
AN2M002-E	84	AN4M004-EC	86	AN6M020-E	84	BA2M.75V5DBRK	92	BA2M010V5DBRK	92
AN2M002-EC	86	AN4M004-ED	87	AN6M020-ED	87	BA2M001V4	55	BA2M015V4	56
AN2M002-ED	87	AN4M010-E	84	AN6M025-E	84	BA2M001V4BRK	90	BA2M015V4C	58
AN2M003-E	84	AN4M010-EC	86	AN6M025-ED	87	BA2M001V4C	57	BA2M015V4D	60
AN2M003-EC	86	AN4M010-ED	87	AN6M030-E	84	BA2M001V4CBRK	91	BA2M015V5	56
AN2M003-ED	87	AN4M015-E	84	AN6M030-ED	87	BA2M001V4D	59	BA2M015V5C	58
AN2M004-E	84	AN4M015-EC	86	AN6M040-E	84	BA2M001V5	55	BA2M015V5D	60
AN2M004-EC	86	AN4M015-ED	87	AN6M040-ED	87	BA2M001V5BRK	90	BA2M020V4	56
AN2M004-ED	87	AN4M020-E	84	AN6M050-E	84	BA2M001V5C	57	BA2M020V4C	58
AN2M010-E	84	AN4M020-EC	86	AN6M050-ED	87	BA2M001V5CBRK	91	BA2M020V4D	60
AN2M010-EC	86	AN4M020-ED	87	AN6M060-E	84	BA2M001V5D	59	BA2M020V5	56
AN2M010-ED	87	AN4M025-E	84	AN6M060-ED	87	BA2M002V4	55	BA2M020V5C	58
AN2M015-E	84	AN4M025-ED	87	AN6M075-E	84	BA2M002V4BRK	90	BA2M020V5D	60
AN2M015-EC	86	AN4M030-E	84	AN6M075-ED	87	BA2M002V4C	57	BA2M025V4	56
AN2M015-ED	87	AN4M030-ED	87	AN6M1.5-E	84	BA2M002V4CBRK	91	BA2M025V4C	58
AN2M020-E	84	AN4M040-E	84	AN6M1.5-EC	86	BA2M002V4D	59	BA2M025V4D	60
AN2M020-EC	86	AN4M040-ED	87	AN6M1.5-ED	87	BA2M002V4DBRK	92	BA2M025V4D	60
AN2M020-ED	87	AN4M050-E	84	AN6M100-E	84	BA2M002V5	55	BA2M025V5	56
AN2M025-E	84	AN4M050-ED	87	AN6M100-ED	87	BA2M002V5BRK	90	BA2M025V5C	58
AN2M025-EC	86	AN4M060-E	84	AN6M125-E	85	BA2M002V5C	57	BA2M030V4	56
AN2M025-ED	87	AN4M060-ED	87	AN6M125-ED	88	BA2M002V5CBRK	91	BA2M030V4D	60
AN2M030-E	84	AN4M075-E	84	AN6M150-E	85	BA2M002V5D	59	BA2M030V4D	60
AN2M030-ED	87	AN4M075-ED	87	AN6M150-ED	88	BA2M002V5DBRK	92	BA2M030V5	56
AN2M040-E	84	AN4M1.5-E	84	AN6M5.5-E	84	BA2M003V4	56	BA2M1.5V4	55
AN2M040-ED	87	AN4M1.5-EC	86	AN6M5.5-EC	86	BA2M003V4BRK	90	BA2M1.5V4BRK	90
AN2M050-E	84	AN4M1.5-ED	87	AN6M5.5-ED	87	BA2M003V4C	58	BA2M1.5V4C	57
AN2M050-ED	87	AN4M100-E	84	AN6M7.5-E	84	BA2M003V4CBRK	91	BA2M1.5V4CBRK	91
AN2M060-E	84	AN4M100-ED	87	AN6M7.5-EC	86	BA2M003V4D	60	BA2M1.5V4D	59
AN2M060-ED	87	AN4M125-E	85	AN6M7.5-ED	87	BA2M003V4DBRK	92	BA2M1.5V5	55
AN2M075-E	84	AN4M150-E	85	BA2M.25V4	55	BA2M003V5	56	BA2M1.5V5BRK	90
AN2M075-ED	87	AN4M150-ED	88	BA2M.25V4C	57	BA2M003V5BRK	90	BA2M1.5V5C	57
AN2M1.5-E	84	AN4M200-E	85	BA2M.25V4D	59	BA2M003V5C	58	BA2M1.5V5CBRK	91
AN2M1.5-EC	86	AN4M200-ED	88	BA2M.25V5	55	BA2M003V5CBRK	91	BA2M1.5V5D	59
AN2M1.5-ED	87	AN4M200-ED	88	BA2M.25V5C	57	BA2M003V5D	60	BA2M5.5V4	56
AN2M100-E	84	AN4M5.5-E	84	BA2M.25V5D	59	BA2M003V5DBRK	92	BA2M5.5V4BRK	90
AN2M100-ED	87	AN4M5.5-EC	86	BA2M.33V4	55	BA2M004V4	56	BA2M5.5V4C	58
AN2M125-E	85	AN4M5.5-ED	87	BA2M.33V4C	57	BA2M004V4BRK	90	BA2M5.5V4CBRK	91
AN2M125-ED	88	AN4M7.5-E	84	BA2M.33V4D	59	BA2M004V4C	58	BA2M5.5V4D	60
AN2M150-E	85	AN4M7.5-EC	86	BA2M.33V5	55	BA2M004V4CBRK	91	BA2M5.5V4DBRK	92
AN2M150-ED	88	AN4M7.5-ED	87	BA2M.33V5C	57	BA2M004V4D	60	BA2M5.5V5	56
AN2M200-E	85	AN6M001-E	84	BA2M.33V5D	59	BA2M004V4DBRK	92	BA2M5.5V5BRK	90
AN2M200-ED	88	AN6M001-EC	86	BA2M.50V4	55	BA2M004V5	56	BA2M5.5V5C	58
AN2M5.5-E	84	AN6M001-ED	87	BA2M.50V4C	57	BA2M004V5BRK	90	BA2M5.5V5CBRK	91
AN2M5.5-EC	86	AN6M002-E	84	BA2M.50V4D	59	BA2M004V5C	58	BA2M5.5V5D	60
AN2M5.5-ED	87	AN6M002-EC	86	BA2M.50V5	55	BA2M004V5CBRK	91	BA2M5.5V5DBRK	92
AN2M7.5-E	84	AN6M002-ED	87	BA2M.50V5C	57	BA2M004V5D	60	BA2M7.5V4	56
AN2M7.5-EC	86	AN6M003-E	84	BA2M.50V5D	59	BA2M004V5DBRK	92	BA2M7.5V4BRK	90
AN2M7.5-ED	87	AN6M003-EC	86	BA2M.75V4	55	BA2M010V4	56	BA2M7.5V4C	58

Part #	Page	Part #	Page	Part #	Page	Part #	Page	Part #	Page
BA2M7.5V4CBRK	91	BA2N005V4JP	42	BA2N025V4JP	43	BA4/6N002-5-VT2	47	BA4/8N005-5-CT2	49
BA2M7.5V4D	60	BA2N005V5	11	BA2N025V5	12	BA4/6N002-9-CT2	50	BA4/8N005-5-VT1	45
BA2M7.5V4DBRK	92	BA2N005V5BRK	52	BA2N025V5C	14	BA4/6N002-9-VT2	47	BA4/8N005-5-VT2	46
BA2M7.5V5	56	BA2N005V5C	13	BA2N025V5D	16	BA4/6N003-5-CT2	50	BA4/8N005-9-CT1	48
BA2M7.5V5BRK	90	BA2N005V5CBRK	53	BA2N025V5JM	41	BA4/6N003-5-VT2	47	BA4/8N005-9-CT2	49
BA2M7.5V5C	58	BA2N005V5D	15	BA2N025V5JP	43	BA4/6N003-9-CT2	50	BA4/8N005-9-VT1	45
BA2M7.5V5CBRK	91	BA2N005V5JM	40	BA2N030V3	12	BA4/6N003-9-VT2	47	BA4/8N005-9-VT2	46
BA2M7.5V5D	60	BA2N005V5JP	42	BA2N030V3C	14	BA4/6N005-5-CT2	50	BA4/8N010-5-CT1	48
BA2M7.5V5DBRK	92	BA2N010V3	12	BA2N030V3D	16	BA4/6N005-5-VT2	47	BA4/8N010-5-CT2	49
BA2N002V3	11	BA2N010V3C	14	BA2N030V4	12	BA4/6N005-9-CT2	50	BA4/8N010-5-VT1	45
BA2N002V3C	13	BA2N010V3D	16	BA2N030V4C	14	BA4/6N005-9-VT2	47	BA4/8N010-5-VT2	46
BA2N002V3D	15	BA2N010V4	12	BA2N030V4D	16	BA4/6N010-5-CT2	50	BA4/8N010-9-CT1	48
BA2N002V4	11	BA2N010V4BRK	52	BA2N030V4JM	41	BA4/6N010-5-VT2	47	BA4/8N010-9-CT2	49
BA2N002V4BRK	52	BA2N010V4C	14	BA2N030V4JP	43	BA4/6N010-9-CT2	50	BA4/8N010-9-VT1	45
BA2N002V4C	13	BA2N010V4CBRK	53	BA2N030V5	12	BA4/6N010-9-VT2	47	BA4/8N010-9-VT2	46
BA2N002V4CBRK	53	BA2N010V4D	16	BA2N030V5C	14	BA4/6N015-5-CT2	50	BA4/8N015-5-CT1	48
BA2N002V4D	15	BA2N010V4JM	40	BA2N030V5D	16	BA4/6N015-5-VT2	47	BA4/8N015-5-CT2	49
BA2N002V4JM	40	BA2N010V4JP	42	BA2N030V5JM	41	BA4/6N015-9-CT2	50	BA4/8N015-5-VT1	45
BA2N002V4JP	42	BA2N010V5	12	BA2N030V5JP	43	BA4/6N015-9-VT2	47	BA4/8N015-5-VT2	46
BA2N002V5	11	BA2N010V5BRK	52	BA2N1.5V3	11	BA4/6N020-5-CT2	50	BA4/8N015-9-CT1	48
BA2N002V5BRK	52	BA2N010V5C	14	BA2N1.5V3C	13	BA4/6N020-5-VT2	47	BA4/8N015-9-CT2	49
BA2N002V5C	13	BA2N010V5CBRK	53	BA2N1.5V3D	15	BA4/6N020-9-CT2	50	BA4/8N015-9-VT1	45
BA2N002V5CBRK	53	BA2N010V5D	16	BA2N1.5V4	11	BA4/6N020-9-VT2	47	BA4/8N015-9-VT2	46
BA2N002V5D	15	BA2N010V5JM	40	BA2N1.5V4BRK	52	BA4/6N025-5-VT2	47	BA4/8N020-5-CT1	48
BA2N002V5JM	40	BA2N010V5JP	42	BA2N1.5V4C	13	BA4/6N025-9-VT2	47	BA4/8N020-5-CT2	49
BA2N002V5JP	42	BA2N015V3	12	BA2N1.5V4CBRK	53	BA4/6N1.5-5-CT2	50	BA4/8N020-5-VT1	45
BA2N003V3	11	BA2N015V3C	14	BA2N1.5V4D	15	BA4/6N1.5-5-VT2	47	BA4/8N020-5-VT2	46
BA2N003V3C	13	BA2N015V3D	16	BA2N1.5V4JM	40	BA4/6N1.5-9-CT2	50	BA4/8N020-9-CT1	48
BA2N003V3D	15	BA2N015V4	12	BA2N1.5V4JP	42	BA4/6N1.5-9-VT2	47	BA4/8N020-9-CT2	49
BA2N003V4	11	BA2N015V4C	14	BA2N1.5V5	11	BA4/6N7.5-5-CT2	50	BA4/8N020-9-VT1	45
BA2N003V4BRK	52	BA2N015V4D	16	BA2N1.5V5BRK	52	BA4/6N7.5-5-VT2	47	BA4/8N020-9-VT2	46
BA2N003V4C	13	BA2N015V4JM	40	BA2N1.5V5C	13	BA4/6N7.5-9-CT2	50	BA4/8N025-5-CT1	48
BA2N003V4CBRK	53	BA2N015V4JP	42	BA2N1.5V5CBRK	53	BA4/6N7.5-9-VT2	47	BA4/8N025-5-VT1	45
BA2N003V4D	15	BA2N015V5	12	BA2N1.5V5D	15	BA4/8N001-5-CT1	48	BA4/8N025-5-VT2	46
BA2N003V4JM	40	BA2N015V5C	14	BA2N1.5V5JM	40	BA4/8N001-5-CT2	49	BA4/8N025-9-CT1	48
BA2N003V4JP	42	BA2N015V5D	16	BA2N1.5V5JP	42	BA4/8N001-5-VT1	45	BA4/8N025-9-VT1	45
BA2N003V4S	11	BA2N015V5JM	40	BA2N7.5V3	12	BA4/8N001-5-VT2	46	BA4/8N025-9-VT2	46
BA2N003V4SC	13	BA2N015V5JP	42	BA2N7.5V3C	14	BA4/8N001-9-CT1	48	BA4/8N030-5-VT1	45
BA2N003V4SD	15	BA2N020V3	12	BA2N7.5V3D	16	BA4/8N001-9-CT2	49	BA4/8N030-9-VT1	45
BA2N003V5	11	BA2N020V3C	14	BA2N7.5V4	12	BA4/8N001-9-VT1	45	BA4/8N1.5-5-CT1	48
BA2N003V5BRK	52	BA2N020V3D	16	BA2N7.5V4BRK	52	BA4/8N001-9-VT2	46	BA4/8N1.5-5-CT2	49
BA2N003V5C	13	BA2N020V4	12	BA2N7.5V4C	14	BA4/8N002-5-CT1	48	BA4/8N1.5-5-VT1	45
BA2N003V5CBRK	53	BA2N020V4C	14	BA2N7.5V4CBRK	53	BA4/8N002-5-CT2	49	BA4/8N1.5-5-VT2	46
BA2N003V5D	15	BA2N020V4D	16	BA2N7.5V4D	16	BA4/8N002-5-VT1	45	BA4/8N1.5-9-CT1	48
BA2N003V5JM	40	BA2N020V4JM	41	BA2N7.5V4JM	40	BA4/8N002-5-VT2	46	BA4/8N1.5-9-CT2	49
BA2N003V5JP	42	BA2N020V4JP	43	BA2N7.5V4JP	42	BA4/8N002-9-CT1	48	BA4/8N1.5-9-VT1	45
BA2N003V5S	11	BA2N020V5	12	BA2N7.5V5	12	BA4/8N002-9-CT2	49	BA4/8N1.5-9-VT2	46
BA2N003V5SC	13	BA2N020V5C	14	BA2N7.5V5BRK	52	BA4/8N002-9-VT1	45	BA4/8N7.5-5-CT1	48
BA2N003V5SD	15	BA2N020V5D	16	BA2N7.5V5C	14	BA4/8N002-9-VT2	46	BA4/8N7.5-5-CT2	49
BA2N005V3	11	BA2N020V5JM	41	BA2N7.5V5CBRK	53	BA4/8N003-5-CT1	48	BA4/8N7.5-5-VT1	45
BA2N005V3C	13	BA2N020V5JP	43	BA2N7.5V5D	16	BA4/8N003-5-CT2	49	BA4/8N7.5-5-VT2	46
BA2N005V3D	15	BA2N025V3	12	BA2N7.5V5JM	40	BA4/8N003-5-VT1	45	BA4/8N7.5-9-CT1	48
BA2N005V4	11	BA2N025V3C	14	BA2N7.5V5JP	42	BA4/8N003-5-VT2	46	BA4/8N7.5-9-CT2	49
BA2N005V4BRK	52	BA2N025V3D	16	BA4/6N001-5-CT2	50	BA4/8N003-9-CT1	48	BA4/8N7.5-9-VT1	45
BA2N005V4C	13	BA2N025V4	12	BA4/6N001-5-VT2	47	BA4/8N003-9-CT2	49	BA4/8N7.5-9-VT2	46
BA2N005V4CBRK	53	BA2N025V4C	14	BA4/6N001-9-CT2	50	BA4/8N003-9-VT1	45	BA4M.25V4	55
BA2N005V4D	15	BA2N025V4D	16	BA4/6N001-9-VT2	47	BA4/8N003-9-VT2	46	BA4M.25V4C	57
BA2N005V4JM	40	BA2N025V4JM	41	BA4/6N002-5-CT2	50	BA4/8N005-5-CT1	48	BA4M.25V4D	59



Part #	Page	Part #	Page	Part #	Page	Part #	Page	Part #	Page
BA4M.25V5	55	BA4M004V4BRK	90	BA4M5.5V4CBRK	91	BA4N003V4	11	BA4N015V5D	16
BA4M.25V5C	57	BA4M004V4C	58	BA4M5.5V4D	60	BA4N003V4BRK	52	BA4N015V5JM	40
BA4M.25V5D	59	BA4M004V4CBRK	91	BA4M5.5V4DBRK	92	BA4N003V4C	13	BA4N015V5JP	42
BA4M.33V4	55	BA4M004V4D	60	BA4M5.5V5	56	BA4N003V4CBRK	53	BA4N020V3	12
BA4M.33V4C	57	BA4M004V4DBRK	92	BA4M5.5V5BRK	90	BA4N003V4D	15	BA4N020V3C	14
BA4M.33V4D	59	BA4M004V5	56	BA4M5.5V5C	58	BA4N003V4JM	40	BA4N020V3D	16
BA4M.33V5	55	BA4M004V5BRK	90	BA4M5.5V5CBRK	91	BA4N003V4JP	42	BA4N020V4	12
BA4M.33V5C	57	BA4M004V5C	58	BA4M5.5V5D	60	BA4N003V5	11	BA4N020V4C	14
BA4M.33V5D	59	BA4M004V5CBRK	91	BA4M5.5V5DBRK	92	BA4N003V5BRK	52	BA4N020V4D	16
BA4M.50V4	55	BA4M004V5D	60	BA4M7.5V4	56	BA4N003V5C	13	BA4N020V4JM	41
BA4M.50V4BRK	90	BA4M004V5DBRK	92	BA4M7.5V4BRK	90	BA4N003V5CBRK	53	BA4N020V4JP	43
BA4M.50V4C	57	BA4M010V4	56	BA4M7.5V4C	58	BA4N003V5D	15	BA4N020V5	12
BA4M.50V4CBRK	91	BA4M010V4BRK	90	BA4M7.5V4CBRK	91	BA4N003V5JM	40	BA4N020V5C	14
BA4M.50V4D	59	BA4M010V4C	58	BA4M7.5V4D	60	BA4N003V5JP	42	BA4N020V5D	16
BA4M.50V4DBRK	92	BA4M010V4CBRK	91	BA4M7.5V4DBRK	92	BA4N005V3	11	BA4N020V5JM	41
BA4M.50V5	55	BA4M010V4D	60	BA4M7.5V5	56	BA4N005V3C	13	BA4N020V5JP	43
BA4M.50V5BRK	90	BA4M010V4DBRK	92	BA4M7.5V5BRK	90	BA4N005V3D	15	BA4N025V3	12
BA4M.50V5C	57	BA4M010V5	56	BA4M7.5V5C	58	BA4N005V4	11	BA4N025V3C	14
BA4M.50V5CBRK	91	BA4M010V5BRK	90	BA4M7.5V5CBRK	91	BA4N005V4BRK	52	BA4N025V3D	16
BA4M.50V5D	59	BA4M010V5C	58	BA4M7.5V5D	60	BA4N005V4C	13	BA4N025V4	12
BA4M.50V5DBRK	92	BA4M010V5CBRK	91	BA4M7.5V5DBRK	92	BA4N005V4CBRK	53	BA4N025V4C	14
BA4M.75V4	55	BA4M010V5D	60	BA4N001V3	11	BA4N005V4D	15	BA4N025V4D	16
BA4M.75V4BRK	90	BA4M010V5DBRK	92	BA4N001V3C	13	BA4N005V4JM	40	BA4N025V4JM	41
BA4M.75V4C	57	BA4M015V4	56	BA4N001V3D	15	BA4N005V4JP	42	BA4N025V4JP	43
BA4M.75V4CBRK	91	BA4M015V4C	58	BA4N001V4	11	BA4N005V5	11	BA4N025V5	12
BA4M.75V4D	59	BA4M015V4D	60	BA4N001V4BRK	52	BA4N005V5BRK	52	BA4N025V5C	14
BA4M.75V4DBRK	92	BA4M015V5	56	BA4N001V4C	13	BA4N005V5C	13	BA4N025V5D	16
BA4M.75V5	55	BA4M015V5C	58	BA4N001V4CBRK	53	BA4N005V5CBRK	53	BA4N025V5JM	41
BA4M.75V5BRK	90	BA4M015V5D	60	BA4N001V4D	15	BA4N005V5D	15	BA4N025V5JP	43
BA4M.75V5C	57	BA4M020V4	56	BA4N001V4JM	40	BA4N005V5JM	40	BA4N030V3	12
BA4M.75V5CBRK	91	BA4M020V4C	58	BA4N001V4JP	42	BA4N005V5JP	42	BA4N030V3C	14
BA4M.75V5D	59	BA4M020V4D	60	BA4N001V5	11	BA4N010V3	12	BA4N030V3D	16
BA4M.75V5DBRK	92	BA4M020V5	56	BA4N001V5BRK	52	BA4N010V3C	14	BA4N030V4	12
BA4M002V4	55	BA4M020V5C	58	BA4N001V5CBRK	53	BA4N010V3D	16	BA4N030V4C	14
BA4M002V4BRK	90	BA4M020V5D	60	BA4N001V5C	13	BA4N010V4	12	BA4N030V4D	16
BA4M002V4C	57	BA4M025V4	56	BA4N001V5D	15	BA4N010V4BRK	52	BA4N030V4JM	41
BA4M002V4CBRK	91	BA4M025V4D	60	BA4N001V5JM	40	BA4N010V4C	14	BA4N030V4JP	43
BA4M002V4D	59	BA4M025V4D	60	BA4N001V5JP	42	BA4N010V4CBRK	53	BA4N030V5	12
BA4M002V4DBRK	92	BA4M025V5	56	BA4N002V3	11	BA4N010V4D	16	BA4N030V5C	14
BA4M002V5	55	BA4M030V4	56	BA4N002V3C	13	BA4N010V4JM	40	BA4N030V5D	16
BA4M002V5BRK	90	BA4M030V4D	60	BA4N002V3D	15	BA4N010V4JP	42	BA4N030V5JM	41
BA4M002V5C	57	BA4M030V4D	60	BA4N002V4	11	BA4N010V5	12	BA4N030V5JP	43
BA4M002V5CBRK	91	BA4M030V5	56	BA4N002V4BRK	52	BA4N010V5BRK	52	BA4N1.5V3	11
BA4M002V5D	59	BA4M1.5V4	55	BA4N002V4C	13	BA4N010V5C	14	BA4N1.5V3C	13
BA4M002V5DBRK	92	BA4M1.5V4BRK	90	BA4N002V4CBRK	53	BA4N010V5CBRK	53	BA4N1.5V3D	15
BA4M003V4	56	BA4M1.5V4C	57	BA4N002V4D	15	BA4N010V5D	16	BA4N1.5V4	11
BA4M003V4BRK	90	BA4M1.5V4CBRK	91	BA4N002V4JM	40	BA4N010V5JM	40	BA4N1.5V4BRK	52
BA4M003V4C	58	BA4M1.5V4D	59	BA4N002V4JP	42	BA4N010V5JP	42	BA4N1.5V4C	13
BA4M003V4CBRK	91	BA4M1.5V4DBRK	92	BA4N002V5	11	BA4N015V3	12	BA4N1.5V4CBRK	53
BA4M003V4D	60	BA4M1.5V5	55	BA4N002V5BRK	52	BA4N015V3C	14	BA4N1.5V4D	15
BA4M003V4DBRK	92	BA4M1.5V5BRK	90	BA4N002V5C	13	BA4N015V3D	16	BA4N1.5V4JM	40
BA4M003V5	56	BA4M1.5V5C	57	BA4N002V5CBRK	53	BA4N015V4	12	BA4N1.5V4JP	42
BA4M003V5BRK	90	BA4M1.5V5CBRK	91	BA4N002V5D	15	BA4N015V4C	14	BA4N1.5V5	11
BA4M003V5C	58	BA4M1.5V5D	59	BA4N002V5JM	40	BA4N015V4D	16	BA4N1.5V5BRK	52
BA4M003V5CBRK	91	BA4M1.5V5DBRK	92	BA4N002V5JP	42	BA4N015V4JM	40	BA4N1.5V5C	13
BA4M003V5D	60	BA4M5.5V4	56	BA4N003V3	11	BA4N015V4JP	42	BA4N1.5V5CBRK	53
BA4M003V5DBRK	92	BA4M5.5V4BRK	90	BA4N003V3C	13	BA4N015V5	12	BA4N1.5V5D	15
BA4M004V4	56	BA4M5.5V4C	58	BA4N003V3D	15	BA4N015V5C	14	BA4N1.5V5JM	40

Part #	Page	Part #	Page	Part #	Page	Part #	Page	Part #	Page
BA4N1.5V5JP	42	BA6M001V4D	59	BA6N002V4	11	BA6N020V4C	14	BC2M001V5	62
BA4N7.5V3	12	BA6M001V4DBRK	92	BA6N002V4C	13	BA6N020V4D	16	BC2M001V5C	65
BA4N7.5V3C	14	BA6M001V5	55	BA6N002V4D	15	BA6N020V5	12	BC2M001V5D	67
BA4N7.5V3D	16	BA6M001V5BRK	90	BA6N002V4JM	40	BA6N020V5C	14	BC2M002V4	62
BA4N7.5V4	12	BA6M001V5C	57	BA6N002V4JP	42	BA6N020V5D	16	BC2M002V4C	65
BA4N7.5V4BRK	52	BA6M001V5CBRK	91	BA6N002V5	11	BA6N1.5V3	11	BC2M002V4D	67
BA4N7.5V4C	14	BA6M001V5D	59	BA6N002V5C	13	BA6N1.5V3C	13	BC2M002V5	62
BA4N7.5V4CBRK	53	BA6M001V5DBRK	92	BA6N002V5D	15	BA6N1.5V3D	15	BC2M002V5C	65
BA4N7.5V4D	16	BA6M004V4	56	BA6N002V5JM	40	BA6N1.5V4	11	BC2M002V5D	67
BA4N7.5V4JM	40	BA6M004V4C	58	BA6N002V5JP	42	BA6N1.5V4C	13	BC2M003V4	62
BA4N7.5V4JP	42	BA6M004V4D	60	BA6N003V3	11	BA6N1.5V4D	15	BC2M003V4C	65
BA4N7.5V5	12	BA6M004V5	56	BA6N003V3C	13	BA6N1.5V4JM	40	BC2M003V4D	67
BA4N7.5V5BRK	52	BA6M004V5C	58	BA6N003V3D	15	BA6N1.5V4JP	42	BC2M003V5	62
BA4N7.5V5C	14	BA6M004V5D	60	BA6N003V4	11	BA6N1.5V5	11	BC2M003V5C	65
BA4N7.5V5CBRK	53	BA6M010V4	56	BA6N003V4C	13	BA6N1.5V5C	13	BC2M003V5D	67
BA4N7.5V5D	16	BA6M010V4C	58	BA6N003V4D	15	BA6N1.5V5D	15	BC2M004V4	62
BA4N7.5V5JM	40	BA6M010V4D	60	BA6N003V4JM	40	BA6N1.5V5JM	40	BC2M004V4C	65
BA4N7.5V5JP	42	BA6M010V5	56	BA6N003V4JP	42	BA6N1.5V5JP	42	BC2M004V4D	67
BA6M.25V4	55	BA6M010V5C	58	BA6N003V5	11	BA6N7.5V3	12	BC2M004V5	62
BA6M.25V4C	57	BA6M010V5D	60	BA6N003V5C	13	BA6N7.5V3C	14	BC2M004V5C	65
BA6M.25V4D	59	BA6M015V4	56	BA6N003V5D	15	BA6N7.5V3D	16	BC2M004V5D	67
BA6M.25V5	55	BA6M015V4C	58	BA6N003V5JM	40	BA6N7.5V4	12	BC2M010V4	62
BA6M.25V5C	57	BA6M015V4D	60	BA6N003V5JP	42	BA6N7.5V4C	14	BC2M010V4C	65
BA6M.25V5D	59	BA6M015V5	56	BA6N005V3	11	BA6N7.5V4D	16	BC2M010V4D	67
BA6M.33V4	55	BA6M015V5C	58	BA6N005V3C	13	BA6N7.5V4JM	40	BC2M010V5	62
BA6M.33V4C	57	BA6M015V5D	60	BA6N005V3D	15	BA6N7.5V4JP	42	BC2M010V5C	65
BA6M.33V4D	59	BA6M020V4	56	BA6N005V4	11	BA6N7.5V5	12	BC2M010V5D	67
BA6M.33V5	55	BA6M020V4D	60	BA6N005V4C	13	BA6N7.5V5C	14	BC2M015V4	62
BA6M.33V5C	57	BA6M020V5	56	BA6N005V4D	15	BA6N7.5V5D	16	BC2M015V4C	65
BA6M.33V5D	59	BA6M020V5D	60	BA6N005V4JM	40	BA6N7.5V5JM	40	BC2M015V4D	67
BA6M.50V4	55	BA6M5.5V4	56	BA6N005V4JP	42	BA6N7.5V5JP	42	BC2M015V5	62
BA6M.50V4BRK	90	BA6M5.5V4C	58	BA6N005V5	11	BA8M.25V4	55	BC2M015V5C	65
BA6M.50V4C	57	BA6M5.5V4D	60	BA6N005V5C	13	BA8M.25V4C	57	BC2M015V5D	67
BA6M.50V4CBRK	91	BA6M5.5V5	56	BA6N005V5D	15	BA8M.25V4D	59	BC2M020V4	63
BA6M.50V4D	59	BA6M5.5V5C	58	BA6N005V5JM	40	BA8M.25V5	55	BC2M020V4C	66
BA6M.50V4DBRK	92	BA6M5.5V5D	60	BA6N005V5JP	42	BA8M.25V5C	57	BC2M020V4D	68
BA6M.50V5	55	BA6N.75V4	11	BA6N010V3	12	BA8M.25V5D	59	BC2M020V5	63
BA6M.50V5BRK	90	BA6N.75V4C	13	BA6N010V3C	14	BA8M.33V4	55	BC2M020V5C	66
BA6M.50V5C	57	BA6N.75V4D	15	BA6N010V3D	16	BA8M.33V4C	57	BC2M020V5D	68
BA6M.50V5CBRK	91	BA6N.75V5	11	BA6N010V4	12	BA8M.33V4D	59	BC2M025V4	63
BA6M.50V5D	59	BA6N.75V5C	13	BA6N010V4C	14	BA8M.33V5	55	BC2M025V4C	66
BA6M.50V5DBRK	92	BA6N.75V5D	15	BA6N010V4D	16	BA8M.33V5C	57	BC2M025V4D	68
BA6M.75V4	55	BA6N001V3	11	BA6N010V5	12	BA8M.33V5D	59	BC2M025V5	63
BA6M.75V4BRK	90	BA6N001V3C	13	BA6N010V5C	14	BA8M.50V4	55	BC2M025V5C	66
BA6M.75V4C	57	BA6N001V3D	15	BA6N010V5D	16	BA8M.50V4C	57	BC2M025V5D	68
BA6M.75V4CBRK	91	BA6N001V4	11	BA6N015V3	12	BA8M.50V4D	59	BC2M030V4	63
BA6M.75V4D	59	BA6N001V4C	13	BA6N015V3C	14	BA8M.50V5	55	BC2M030V4D	68
BA6M.75V4DBRK	92	BA6N001V4D	15	BA6N015V3D	16	BA8M.50V5C	57	BC2M030V5	63
BA6M.75V5	55	BA6N001V4JM	40	BA6N015V4	12	BA8M.50V5D	59	BC2M030V5D	68
BA6M.75V5BRK	90	BA6N001V4JP	42	BA6N015V4C	14	BA8M.75V4	55	BC2M040-4	63
BA6M.75V5C	57	BA6N001V5	11	BA6N015V4D	16	BA8M.75V4C	57	BC2M040-4D	68
BA6M.75V5CBRK	91	BA6N001V5C	13	BA6N015V5	12	BA8M.75V4D	59	BC2M040-5	63
BA6M.75V5D	59	BA6N001V5D	15	BA6N015V5C	14	BA8M.75V5	55	BC2M040-5D	68
BA6M.75V5DBRK	92	BA6N001V5JM	40	BA6N015V5D	16	BA8M.75V5C	57	BC2M050-4	63
BA6M001V4	55	BA6N001V5JP	42	BA6N020V3	12	BA8M.75V5D	59	BC2M050-4D	68
BA6M001V4BRK	90	BA6N002V3	11	BA6N020V3C	14	BC2M001V4	62	BC2M050-5	63
BA6M001V4C	57	BA6N002V3C	13	BA6N020V3D	16	BC2M001V4C	65	BC2M050-5D	68
BA6M001V4CBRK	91	BA6N002V3D	15	BA6N020V4	12	BC2M001V4D	67	BC2M060-4	63

# Page Index



Part #	Page	Part #	Page	Part #	Page	Part #	Page	Part #	Page
BC2M060-4D	68	BC2N002V4C	21	BC2N050-4C	22	BC2N200-9D	26	BC4/8N050-5-VT2	46
BC2M060-5	63	BC2N002V4D	24	BC2N050-4D	25	BC2N7.5V4	18	BC4/8N050-9-CT1	48
BC2M060-5D	68	BC2N002V5	18	BC2N050-4JM	41	BC2N7.5V4C	21	BC4/8N050-9-CT2	49
BC2M075-4	63	BC2N002V5C	21	BC2N050-4JP	43	BC2N7.5V4D	24	BC4/8N050-9-VT1	45
BC2M075-4D	68	BC2N002V5D	24	BC2N050-5	19	BC2N7.5V5	18	BC4/8N050-9-VT2	46
BC2M075-4S	63	BC2N003V4	18	BC2N050-5C	22	BC2N7.5V5C	21	BC4/8N060-5-CT1	48
BC2M075-4SD	68	BC2N003V4C	21	BC2N050-5D	25	BC2N7.5V5D	24	BC4/8N060-5-CT2	49
BC2M075-5	63	BC2N003V4D	24	BC2N050-5JM	41	BC4/6N025-5-CT2	50	BC4/8N060-5-VT1	45
BC2M075-5D	68	BC2N003V5	18	BC2N050-5JP	43	BC4/6N025-9-CT2	50	BC4/8N060-5-VT2	46
BC2M075-5S	63	BC2N003V5C	21	BC2N060-4	19	BC4/6N030-5-CT2	50	BC4/8N060-9-CT1	48
BC2M075-5SD	68	BC2N003V5D	24	BC2N060-4C	22	BC4/6N030-5-VT2	47	BC4/8N060-9-CT2	49
BC2M1.5V4	62	BC2N005V4	18	BC2N060-4D	25	BC4/6N030-9-CT2	50	BC4/8N060-9-VT1	45
BC2M1.5V4C	65	BC2N005V4C	21	BC2N060-4JM	41	BC4/6N030-9-VT2	47	BC4/8N060-9-VT2	46
BC2M1.5V4D	67	BC2N005V4D	24	BC2N060-4JP	43	BC4/6N040-5-CT2	50	BC4/8N075-5-CT1	48
BC2M1.5V5	62	BC2N005V5	18	BC2N060-5	19	BC4/6N040-5-VT2	47	BC4/8N075-5-CT2	49
BC2M1.5V5C	65	BC2N005V5C	21	BC2N060-5C	22	BC4/6N040-9-CT2	50	BC4/8N075-5-VT1	45
BC2M1.5V5D	67	BC2N005V5D	24	BC2N060-5D	25	BC4/6N040-9-VT2	47	BC4/8N075-5-VT2	46
BC2M100-4	64	BC2N010V4	18	BC2N060-5JM	41	BC4/6N050-5-CT2	50	BC4/8N075-9-CT1	48
BC2M100-4D	69	BC2N010V4C	21	BC2N060-5JP	43	BC4/6N050-5-VT2	47	BC4/8N075-9-CT2	49
BC2M100-4S	64	BC2N010V4D	24	BC2N075-4	19	BC4/6N050-9-CT2	50	BC4/8N075-9-VT1	45
BC2M100-4SD	69	BC2N010V5	18	BC2N075-4C	22	BC4/6N050-9-VT2	47	BC4/8N075-9-VT2	46
BC2M100-5	64	BC2N010V5C	21	BC2N075-4D	25	BC4/6N060-5-CT2	50	BC4/8N100-5-CT1	48
BC2M100-5D	69	BC2N010V5D	24	BC2N075-4JM	41	BC4/6N060-5-VT2	47	BC4/8N100-5-CT2	49
BC2M100-5S	64	BC2N015V4	18	BC2N075-4JP	43	BC4/6N060-9-CT2	50	BC4/8N100-5-VT1	45
BC2M100-5SD	69	BC2N015V4C	21	BC2N075-5	19	BC4/6N060-9-VT2	47	BC4/8N100-5-VT2	46
BC2M125-5	64	BC2N015V4D	24	BC2N075-5C	22	BC4/6N075-5-CT2	50	BC4/8N100-9-CT1	48
BC2M125-5D	69	BC2N015V5	18	BC2N075-5D	25	BC4/6N075-5-VT2	47	BC4/8N100-9-CT2	49
BC2M125-5S	64	BC2N015V5C	21	BC2N075-5JM	41	BC4/6N075-9-CT2	50	BC4/8N100-9-VT1	45
BC2M125-5SD	69	BC2N015V5D	24	BC2N075-5JP	43	BC4/6N075-9-VT2	47	BC4/8N100-9-VT2	46
BC2M125-9	64	BC2N020V4	18	BC2N1.5V4	18	BC4/6N100-5-CT2	50	BC4/8N125-5-CT1	48
BC2M125-9D	69	BC2N020V4C	21	BC2N1.5V4C	21	BC4/6N100-5-VT2	47	BC4/8N125-5-CT2	49
BC2M125-9S	64	BC2N020V4D	24	BC2N1.5V4D	24	BC4/6N100-9-CT2	50	BC4/8N125-5-VT1	45
BC2M125-9SD	69	BC2N020V5	18	BC2N1.5V5	18	BC4/6N100-9-VT2	47	BC4/8N125-5-VT2	46
BC2M150-5	64	BC2N020V5C	21	BC2N1.5V5C	21	BC4/6N125-5-CT2	50	BC4/8N125-9-CT1	48
BC2M150-5D	69	BC2N020V5D	24	BC2N1.5V5D	24	BC4/6N125-5-VT2	47	BC4/8N125-9-CT2	49
BC2M150-5S	64	BC2N025V4	19	BC2N100-4	19	BC4/6N125-9-CT2	50	BC4/8N125-9-VT1	45
BC2M150-5SD	69	BC2N025V4C	22	BC2N100-4C	22	BC4/6N125-9-VT2	47	BC4/8N125-9-VT2	46
BC2M150-9	64	BC2N025V4D	25	BC2N100-4D	25	BC4/6N150-5-VT2	47	BC4/8N150-5-CT1	48
BC2M150-9D	69	BC2N025V5	19	BC2N100-5	19	BC4/6N150-9-VT2	47	BC4/8N150-5-VT1	45
BC2M150-9S	64	BC2N025V5C	22	BC2N100-5C	22	BC4/8N025-5-CT2	49	BC4/8N150-5-VT2	46
BC2M150-9SD	69	BC2N025V5D	25	BC2N100-5D	25	BC4/8N025-9-CT2	49	BC4/8N150-9-CT1	48
BC2M200-5	64	BC2N030V4	19	BC2N125-5	19	BC4/8N030-5-CT1	48	BC4/8N150-9-VT1	45
BC2M200-5D	69	BC2N030V4C	22	BC2N125-5C	22	BC4/8N030-5-CT2	49	BC4/8N150-9-VT2	46
BC2M200-9	64	BC2N030V4D	25	BC2N125-5D	25	BC4/8N030-5-VT2	46	BC4M002V4	62
BC2M200-9D	69	BC2N030V5	19	BC2N125-9	19	BC4/8N030-9-CT1	48	BC4M002V4C	65
BC2M5.5V4	62	BC2N030V5C	22	BC2N125-9C	22	BC4/8N030-9-CT2	49	BC4M002V4D	67
BC2M5.5V4C	65	BC2N030V5D	25	BC2N125-9D	25	BC4/8N030-9-VT2	46	BC4M002V5	62
BC2M5.5V4D	67	BC2N040-4	19	BC2N150-5	20	BC4/8N040-5-CT1	48	BC4M002V5C	65
BC2M5.5V5	62	BC2N040-4C	22	BC2N150-5C	23	BC4/8N040-5-CT2	49	BC4M002V5D	67
BC2M5.5V5C	65	BC2N040-4D	25	BC2N150-5D	26	BC4/8N040-5-VT1	45	BC4M003V4	62
BC2M5.5V5D	67	BC2N040-4JM	41	BC2N150-9	20	BC4/8N040-5-VT2	46	BC4M003V4C	65
BC2M7.5V4	62	BC2N040-4JP	43	BC2N150-9C	23	BC4/8N040-9-CT1	48	BC4M003V4D	67
BC2M7.5V4C	65	BC2N040-5	19	BC2N150-9D	26	BC4/8N040-9-CT2	49	BC4M003V5	62
BC2M7.5V4D	67	BC2N040-5C	22	BC2N200-5	20	BC4/8N040-9-VT1	45	BC4M003V5C	65
BC2M7.5V5	62	BC2N040-5D	25	BC2N200-5C	23	BC4/8N040-9-VT2	46	BC4M003V5D	67
BC2M7.5V5C	65	BC2N040-5JM	41	BC2N200-5D	26	BC4/8N050-5-CT1	48	BC4M004V4	62
BC2M7.5V5D	67	BC2N040-5JP	43	BC2N200-9	20	BC4/8N050-5-CT2	49	BC4M004V4C	65
BC2N002V4	18	BC2N050-4	19	BC2N200-9C	23	BC4/8N050-5-VT1	45	BC4M004V4D	67

Part #	Page	Part #	Page	Part #	Page	Part #	Page	Part #	Page
BC4M004V5	62	BC4M100-4SD	69	BC4N005V5	18	BC4N060-5	19	BC6M004V4C	65
BC4M004V5C	65	BC4M100-5	64	BC4N005V5C	21	BC4N060-5C	22	BC6M004V4D	67
BC4M004V5D	67	BC4M100-5D	69	BC4N005V5D	24	BC4N060-5D	25	BC6M004V5	62
BC4M010V4	62	BC4M100-5S	64	BC4N010V4	18	BC4N060-5JM	41	BC6M004V5C	65
BC4M010V4C	65	BC4M100-5SD	69	BC4N010V4C	21	BC4N060-5JP	43	BC6M004V5D	67
BC4M010V4D	67	BC4M125-5	64	BC4N010V4D	24	BC4N075-4	19	BC6M010V4	62
BC4M010V5	62	BC4M125-5D	69	BC4N010V5	18	BC4N075-4C	22	BC6M010V4C	65
BC4M010V5C	65	BC4M125-5S	64	BC4N010V5C	21	BC4N075-4D	25	BC6M010V4D	67
BC4M010V5D	67	BC4M125-5SD	69	BC4N010V5D	24	BC4N075-4JM	41	BC6M010V5	62
BC4M015V4	62	BC4M125-9	64	BC4N015V4	18	BC4N075-4JP	43	BC6M010V5C	65
BC4M015V4C	65	BC4M125-9D	69	BC4N015V4C	21	BC4N075-5	19	BC6M010V5D	67
BC4M015V4D	67	BC4M125-9S	64	BC4N015V4D	24	BC4N075-5C	22	BC6M015V4	62
BC4M015V5	62	BC4M125-9SD	69	BC4N015V5	18	BC4N075-5D	25	BC6M015V4C	65
BC4M015V5C	65	BC4M150-5	64	BC4N015V5C	21	BC4N075-5JM	41	BC6M015V4D	67
BC4M015V5D	67	BC4M150-5D	69	BC4N015V5D	24	BC4N075-5JP	43	BC6M015V5	62
BC4M020V4	63	BC4M150-5S	64	BC4N020V4	18	BC4N1.5V4	18	BC6M015V5C	65
BC4M020V4C	66	BC4M150-5SD	69	BC4N020V4C	21	BC4N1.5V4C	21	BC6M015V5D	67
BC4M020V4D	68	BC4M150-9	64	BC4N020V4D	24	BC4N1.5V4D	24	BC6M020V4	63
BC4M020V5	63	BC4M150-9D	69	BC4N020V5	18	BC4N1.5V5	18	BC6M020V4D	68
BC4M020V5C	66	BC4M150-9S	64	BC4N020V5C	21	BC4N1.5V5C	21	BC6M020V5	63
BC4M020V5D	68	BC4M150-9SD	69	BC4N020V5D	24	BC4N1.5V5D	24	BC6M020V5D	68
BC4M025V4	63	BC4M200-5	64	BC4N025V4	19	BC4N100-4	19	BC6M025-4	63
BC4M025V4D	68	BC4M200-5D	69	BC4N025V4C	22	BC4N100-4C	22	BC6M025-4D	68
BC4M025V5	63	BC4M200-9	64	BC4N025V4D	25	BC4N100-4D	25	BC6M025-5	63
BC4M025V5D	68	BC4M200-9D	69	BC4N025V5	19	BC4N100-5	19	BC6M025-5D	68
BC4M030V4	63	BC4M5.5V4	62	BC4N025V5C	22	BC4N100-5C	22	BC6M030-4	63
BC4M030V4D	68	BC4M5.5V4C	65	BC4N025V5D	25	BC4N100-5D	25	BC6M030-4D	68
BC4M030V5	63	BC4M5.5V4D	67	BC4N030V4	19	BC4N125-5	19	BC6M030-5	63
BC4M030V5D	68	BC4M5.5V5	62	BC4N030V4C	22	BC4N125-5C	22	BC6M030-5D	68
BC4M040-4	63	BC4M5.5V5C	65	BC4N030V4D	25	BC4N125-5D	25	BC6M040-4	63
BC4M040-4D	68	BC4M5.5V5D	67	BC4N030V5	19	BC4N125-9	19	BC6M040-4D	68
BC4M040-5	63	BC4M7.5V4	62	BC4N030V5C	22	BC4N125-9C	22	BC6M040-5	63
BC4M040-5D	68	BC4M7.5V4C	65	BC4N030V5D	25	BC4N125-9D	25	BC6M040-5D	68
BC4M050-4	63	BC4M7.5V4D	67	BC4N040-4	19	BC4N150-5	20	BC6M050-4	63
BC4M050-4D	68	BC4M7.5V5	62	BC4N040-4C	22	BC4N150-5C	23	BC6M050-4D	68
BC4M050-5	63	BC4M7.5V5C	65	BC4N040-4D	25	BC4N150-5D	26	BC6M050-5	63
BC4M050-5D	68	BC4M7.5V5D	67	BC4N040-4JM	41	BC4N150-9	20	BC6M050-5D	68
BC4M060-4	63	BC4N001V4	18	BC4N040-4JP	43	BC4N150-9C	23	BC6M060-4	63
BC4M060-4D	68	BC4N001V4C	21	BC4N040-5	19	BC4N150-9D	26	BC6M060-4D	68
BC4M060-5	63	BC4N001V4D	24	BC4N040-5C	22	BC4N200-5	20	BC6M060-4S	63
BC4M060-5D	68	BC4N001V5	18	BC4N040-5D	25	BC4N200-5C	23	BC6M060-4SD	68
BC4M075-4	63	BC4N001V5C	21	BC4N040-5JM	41	BC4N200-5D	26	BC6M060-5	63
BC4M075-4D	68	BC4N001V5D	24	BC4N040-5JP	43	BC4N200-9	20	BC6M060-5D	68
BC4M075-4S	63	BC4N002V4	18	BC4N050-4	19	BC4N200-9C	23	BC6M060-5S	63
BC4M075-4SD	68	BC4N002V4C	21	BC4N050-4C	22	BC4N200-9D	26	BC6M060-5SD	68
BC4M075-5	63	BC4N002V4D	24	BC4N050-4D	25	BC4N7.5V4	18	BC6M075-4	63
BC4M075-5D	68	BC4N002V5	18	BC4N050-4JM	41	BC4N7.5V4C	21	BC6M075-4D	68
BC4M075-5S	63	BC4N002V5C	21	BC4N050-4JP	43	BC4N7.5V4D	24	BC6M075-4S	63
BC4M075-5SD	68	BC4N002V5D	24	BC4N050-5	19	BC4N7.5V5	18	BC6M075-4SD	68
BC4M1.5V4	62	BC4N003V4	18	BC4N050-5C	22	BC4N7.5V5C	21	BC6M075-5	63
BC4M1.5V4C	65	BC4N003V4C	21	BC4N050-5D	25	BC4N7.5V5D	24	BC6M075-5D	68
BC4M1.5V4D	67	BC4N003V4D	24	BC4N050-5JM	41	BC6M001V4	62	BC6M075-5S	63
BC4M1.5V5	62	BC4N003V5	18	BC4N050-5JP	43	BC6M001V4C	65	BC6M075-5SD	68
BC4M1.5V5C	65	BC4N003V5C	21	BC4N060-4	19	BC6M001V4D	67	BC6M100-4	64
BC4M1.5V5D	67	BC4N003V5D	24	BC4N060-4C	22	BC6M001V5	62	BC6M100-4D	69
BC4M100-4	64	BC4N005V4	18	BC4N060-4D	25	BC6M001V5C	65	BC6M100-4S	64
BC4M100-4D	69	BC4N005V4C	21	BC4N060-4JM	41	BC6M001V5D	67	BC6M100-4SD	69
BC4M100-4S	64	BC4N005V4D	24	BC4N060-4JP	43	BC6M004V4	62	BC6M100-5	64

Part #	Page	Part #	Page	Part #	Page	Part #	Page	Part #	Page
BC6M100-5D	69	BC6N015V5	18	BC6N125-5C	22	BF4N.50V2BRK	52	MC2N003-9C	31
BC6M100-5S	64	BC6N015V5C	21	BC6N125-5D	25	BF4N.50V2C	9	MC2N005-5	28
BC6M100-5SD	69	BC6N015V5D	24	BC6N125-9	19	BF4N.50V2CBRK	53	MC2N005-5C	31
BC6M125-5	64	BC6N020V4	18	BC6N125-9C	22	BF4N.50V5	8	MC2N005-9	28
BC6M125-5D	69	BC6N020V4C	21	BC6N125-9D	25	BF4N.50V5BRK	52	MC2N005-9C	31
BC6M125-5S	64	BC6N020V4D	24	BC6N150-5	20	BF4N.50V5C	9	MC2N010-5	28
BC6M125-5SD	69	BC6N020V5	18	BC6N150-5C	23	BF4N.50V5CBRK	53	MC2N010-5C	31
BC6M125-9	64	BC6N020V5C	21	BC6N150-5D	26	BF4N.75V2	8	MC2N010-9	28
BC6M125-9D	69	BC6N020V5D	24	BC6N150-9	20	BF4N.75V2BRK	52	MC2N010-9C	31
BC6M125-9S	64	BC6N025-4	19	BC6N150-9C	23	BF4N.75V2C	9	MC2N015-5	28
BC6M125-9SD	69	BC6N025-4C	22	BC6N150-9D	26	BF4N.75V2CBRK	53	MC2N015-5C	31
BC6M150-5	64	BC6N025-4D	25	BC6N7.5V4	18	BF4N.75V5	8	MC2N015-9	28
BC6M150-5D	69	BC6N025-5	19	BC6N7.5V4C	21	BF4N.75V5BRK	52	MC2N015-9C	31
BC6M150-5S	64	BC6N025-5C	22	BC6N7.5V4D	24	BF4N.75V5C	9	MC2N020-5	28
BC6M150-5SD	69	BC6N025-5D	25	BC6N7.5V5	18	BF4N.75V5CBRK	53	MC2N020-5C	31
BC6M150-9	64	BC6N030-4	19	BC6N7.5V5C	21	BF6N.25V2	8	MC2N020-9	28
BC6M150-9D	69	BC6N030-4C	22	BC6N7.5V5D	24	BF6N.25V2C	9	MC2N020-9C	31
BC6M150-9S	64	BC6N030-4D	25	BF2N.33V2	8	BF6N.25V5	8	MC2N025-5	29
BC6M150-9SD	69	BC6N030-5	19	BF2N.33V2C	9	BF6N.25V5C	9	MC2N025-5C	32
BC6M5.5V4	62	BC6N030-5C	22	BF2N.33V5	8	BF6N.33V2	8	MC2N025-9	29
BC6M5.5V4C	65	BC6N030-5D	25	BF2N.33V5C	9	BF6N.33V2C	9	MC2N025-9C	32
BC6M5.5V4D	67	BC6N040-4	19	BF2N.50V2	8	BF6N.33V5	8	MC2N030-5	29
BC6M5.5V5	62	BC6N040-4C	22	BF2N.50V2C	9	BF6N.33V5C	9	MC2N030-5C	32
BC6M5.5V5C	65	BC6N040-4D	25	BF2N.50V5	8	BF6N.50V2	8	MC2N030-9	29
BC6M5.5V5D	67	BC6N040-5	19	BF2N.50V5C	9	BF6N.50V2BRK	52	MC2N030-9C	32
BC6N001V4	18	BC6N040-5C	22	BF2N.75V2	8	BF6N.50V2C	9	MC2N040-5	29
BC6N001V4C	21	BC6N040-5D	25	BF2N.75V2BRK	52	BF6N.50V2CBRK	53	MC2N040-5C	32
BC6N001V4D	24	BC6N050-4	19	BF2N.75V2C	9	BF6N.50V5	8	MC2N040-9	29
BC6N001V5	18	BC6N050-4C	22	BF2N.75V2CBRK	53	BF6N.50V5BRK	52	MC2N040-9C	32
BC6N001V5C	21	BC6N050-4D	25	BF2N.75V5	8	BF6N.50V5C	9	MC2N050-5	29
BC6N001V5D	24	BC6N050-5	19	BF2N.75V5BRK	52	BF6N.50V5CBRK	53	MC2N050-5C	32
BC6N002V4	18	BC6N050-5C	22	BF2N.75V5C	9	BF6N.75V2	8	MC2N050-9	29
BC6N002V4C	21	BC6N050-5D	25	BF2N.75V5CBRK	53	BF6N.75V2BRK	52	MC2N050-9C	32
BC6N002V4D	24	BC6N060-4	19	BF2N001V2	8	BF6N.75V2C	9	MC2N060-5	29
BC6N002V5	18	BC6N060-4C	22	BF2N001V2BRK	52	BF6N.75V2CBRK	53	MC2N060-5C	32
BC6N002V5C	21	BC6N060-4D	25	BF2N001V2C	9	BF6N.75V5	8	MC2N060-9	29
BC6N002V5D	24	BC6N060-5	19	BF2N001V2CBRK	53	BF6N.75V5BRK	52	MC2N060-9C	32
BC6N003V4	18	BC6N060-5C	22	BF2N001V5	8	BF6N.75V5C	9	MC2N075-5	29
BC6N003V4C	21	BC6N060-5D	25	BF2N001V5BRK	52	BF6N.75V5CBRK	53	MC2N075-5C	32
BC6N003V4D	24	BC6N075-4	19	BF2N001V5C	9	BF8N.25V2	8	MC2N075-9	29
BC6N003V5	18	BC6N075-4C	22	BF2N001V5CBRK	53	BF8N.25V2C	9	MC2N075-9C	32
BC6N003V5C	21	BC6N075-4D	25	BF2N1.5V2	8	BF8N.25V5	8	MC2N1.5-5	28
BC6N003V5D	24	BC6N075-5	19	BF2N1.5V2BRK	52	BF8N.25V5C	9	MC2N1.5-5C	31
BC6N005V4	18	BC6N075-5C	22	BF2N1.5V2C	9	BF8N.33V2	8	MC2N1.5-9	28
BC6N005V4C	21	BC6N075-5D	25	BF2N1.5V2CBRK	53	BF8N.33V2C	9	MC2N1.5-9C	31
BC6N005V4D	24	BC6N1.5V4	18	BF2N1.5V5	8	BF8N.33V5	8	MC2N100-5	29
BC6N005V5	18	BC6N1.5V4C	21	BF2N1.5V5BRK	52	BF8N.33V5C	9	MC2N100-5C	32
BC6N005V5C	21	BC6N1.5V4D	24	BF2N1.5V5C	9	BF8N.50V2	8	MC2N100-9	29
BC6N005V5D	24	BC6N1.5V5	18	BF2N1.5V5CBRK	53	BF8N.50V2C	9	MC2N100-9C	32
BC6N010V4	18	BC6N1.5V5C	21	BF4N.25V2	8	BF8N.50V5	8	MC2N125-5	29
BC6N010V4C	21	BC6N1.5V5D	24	BF4N.25V2C	9	BF8N.50V5C	9	MC2N125-5C	32
BC6N010V4D	24	BC6N100-4	19	BF4N.25V5	8	MC2N002-5	28	MC2N125-9	29
BC6N010V5	18	BC6N100-4C	22	BF4N.25V5C	9	MC2N002-5C	31	MC2N125-9C	32
BC6N010V5C	21	BC6N100-4D	25	BF4N.33V2	8	MC2N002-9	28	MC2N150-5	30
BC6N010V5D	24	BC6N100-5	19	BF4N.33V2C	9	MC2N002-9C	31	MC2N150-5C	33
BC6N015V4	18	BC6N100-5C	22	BF4N.33V5	8	MC2N003-5	28	MC2N150-9	30
BC6N015V4C	21	BC6N100-5D	25	BF4N.33V5C	9	MC2N003-5C	31	MC2N150-9C	33
BC6N015V4D	24	BC6N125-5	19	BF4N.50V2	8	MC2N003-9	28	MC2N200-5	30

Part #	Page	Part #	Page	Part #	Page	Part #	Page	Part #	Page
MC2N200-5C	33	MC4N075-9C	32	MC6N020-5C	31	PA2N015-5SC	14	PF4N001-2C	9
MC2N200-9	30	MC4N1.5-5	28	MC6N020-9	28	PA2N015-5SD	16	PF4N001-2CBRK	53
MC2N200-9C	33	MC4N1.5-5C	31	MC6N020-9C	31	PA2N015-4SJM	40	PF4N001-5	8
MC2N7.5-5	28	MC4N1.5-9	28	MC6N025-5	29	PA2N015-4SJP	42	PF4N001-5BRK	52
MC2N7.5-5C	31	MC4N1.5-9C	31	MC6N025-5C	32	PA2N015-5SJM	40	PF4N001-5C	9
MC2N7.5-9	28	MC4N100-5	29	MC6N025-9	29	PA2N015-5SJP	42	PF4N001-5CBRK	53
MC2N7.5-9C	31	MC4N100-5C	32	MC6N025-9C	32	PA4M001-2	55	PF4N002-2	8
MC4N001-5	28	MC4N100-9	29	MC6N030-5	29	PA4M001-2C	57	PF4N002-2C	9
MC4N001-5C	31	MC4N100-9C	32	MC6N030-5C	32	PA4M001-2D	59	PF4N002-5	8
MC4N001-9	28	MC4N125-5	29	MC6N030-9	29	PA4M001-4BRK	90	PF4N002-5C	9
MC4N001-9C	31	MC4N125-5C	32	MC6N030-9C	32	PA4M001-4CBRK	91	PF4N003-2	8
MC4N002-5	28	MC4N125-9	29	MC6N040-5	29	PA4M001-5	55	PF4N003-2C	9
MC4N002-5C	31	MC4N125-9C	32	MC6N040-5C	32	PA4M001-5BRK	90	PF4N003-5	8
MC4N002-9	28	MC4N150-5	30	MC6N040-9	29	PA4M001-5C	57	PF4N003-5C	9
MC4N002-9C	31	MC4N150-5C	33	MC6N040-9C	32	PA4M001-5CBRK	91	PF4N1.5-2	8
MC4N003-5	28	MC4N150-9	30	MC6N050-5	29	PA4M001-5D	59	PF4N1.5-2BRK	52
MC4N003-5C	31	MC4N150-9C	33	MC6N050-5C	32	PA4M001-4DBRK	92	PF4N1.5-2C	9
MC4N003-9	28	MC4N200-5	30	MC6N050-9	29	PA4M001-5DBRK	92	PF4N1.5-2CBRK	53
MC4N003-9C	31	MC4N200-5C	33	MC6N050-9C	32	PA6M003-2	56	PF4N1.5-5	8
MC4N005-5	28	MC4N200-9	30	MC6N060-5	29	PA6M003-2C	58	PF4N1.5-5BRK	52
MC4N005-5C	31	MC4N200-9C	33	MC6N060-5C	32	PA6M003-2D	60	PF4N1.5-5C	9
MC4N005-9	28	MC4N250-5	30	MC6N060-9	29	PA6M003-5	56	PF4N1.5-5CBRK	53
MC4N005-9C	31	MC4N250-5C	33	MC6N060-9C	32	PA6M003-5C	58	PM04.1012B.4F2B	95
MC4N010-5	28	MC4N250-9	30	MC6N075-5	29	PA6M003-5D	60	PM04.1046J.4F2B	95
MC4N010-5C	31	MC4N250-9C	33	MC6N075-5C	32	PA6M7.5-4	56	PM04.1062S.4F2B	95
MC4N010-9	28	MC4N300-5	30	MC6N075-9	29	PA6M7.5-4C	58	PM06.2027Q.4G2B	95
MC4N010-9C	31	MC4N300-5C	33	MC6N075-9C	32	PA6M7.5-4D	60	PM06.2103C.4G2B	95
MC4N015-5	28	MC4N300-9	30	MC6N1.5-5	28	PA6M7.5-5	56	PM06.2108M.4G2B	95
MC4N015-5C	31	MC4N300-9C	33	MC6N1.5-5C	31	PA6M7.5-5C	58	PM08.3044G.4G2B	95
MC4N015-9	28	MC4N7.5-5	28	MC6N1.5-9	28	PA6M7.5-5D	60	PM08.3077C.4G2B	95
MC4N015-9C	31	MC4N7.5-5C	31	MC6N1.5-9C	31	PC4M001-4	62	PM08.3083V.4G2B	95
MC4N020-5	28	MC4N7.5-9	28	MC6N100-5	29	PC4M001-4C	65	PM10.4044G.4G2B	95
MC4N020-5C	31	MC4N7.5-9C	31	MC6N100-5C	32	PC4M001-4D	67	PM10.4108V.4G2B	95
MC4N020-9	28	MC6N001-5	28	MC6N100-9	29	PC4M001-5	62	PM10.4109C.4G2B	95
MC4N020-9C	31	MC6N001-5C	31	MC6N100-9C	32	PC4M001-5C	65	PM12.5045G.4G2B	95
MC4N025-5	29	MC6N001-9	28	MC6N125-5	29	PC4M001-5D	67	PM12.5092C.4G2B	95
MC4N025-5C	32	MC6N001-9C	31	MC6N125-5C	32	PC6M003-4	62	PM12.5096V.4G2B	95
MC4N025-9	29	MC6N002-5	28	MC6N125-9	29	PC6M003-4C	65	PM15.6060C.4O2B	95
MC4N025-9C	32	MC6N002-5C	31	MC6N125-9C	32	PC6M003-4D	67	PM15.6072G.4D2B	95
MC4N030-5	29	MC6N002-9	28	MC6N150-5	30	PC6M003-5	62	PM15.6087V.4G2B	95
MC4N030-5C	32	MC6N002-9C	31	MC6N150-5C	33	PC6M003-5C	65	PX2N002-2	35
MC4N030-9	29	MC6N003-5	28	MC6N150-9	30	PC6M003-5D	67	PX2N002-2C	37
MC4N030-9C	32	MC6N003-5C	31	MC6N150-9C	33	PC6M7.5-4	62	PX2N002-5	35
MC4N040-5	29	MC6N003-9	28	MC6N7.5-5	28	PC6M7.5-4C	65	PX2N002-5C	37
MC4N040-5C	32	MC6N003-9C	31	MC6N7.5-5C	31	PC6M7.5-4D	67	PX2N003-2	35
MC4N040-9	29	MC6N005-5	28	MC6N7.5-9	28	PC6M7.5-5	62	PX2N003-2C	37
MC4N040-9C	32	MC6N005-5C	31	MC6N7.5-9C	31	PC6M7.5-5C	65	PX2N003-5	35
MC4N050-5	29	MC6N005-9	28	PA2M001-4DBRK	92	PC6M7.5-5D	67	PX2N003-5C	37
MC4N050-5C	32	MC6N005-9C	31	PA2M001-5DBRK	92	PF2N002-2	8	PX2N005-2	35
MC4N050-9	29	MC6N010-5	28	PA2M1.5-DBRK	92	PF2N002-2C	9	PX2N005-2C	37
MC4N050-9C	32	MC6N010-5C	31	PA2M1.5-5DBRK	92	PF2N002-5	8	PX2N005-5	35
MC4N060-5	29	MC6N010-9	28	PA2N015-3S	12	PF2N002-5C	9	PX2N005-5C	37
MC4N060-5C	32	MC6N010-9C	31	PA2N015-3SC	14	PF2N003-2	8	PX2N010-2	35
MC4N060-9	29	MC6N015-5	28	PA2N015-3SD	16	PF2N003-2C	9	PX2N010-2C	37
MC4N060-9C	32	MC6N015-5C	31	PA2N015-4S	12	PF2N003-5	8	PX2N010-5	35
MC4N075-5	29	MC6N015-9	28	PA2N015-4SC	14	PF2N003-5C	9	PX2N010-5C	37
MC4N075-5C	32	MC6N015-9C	31	PA2N015-4SD	16	PF4N001-2	8	PX2N015-2	35
MC4N075-9	29	MC6N020-5	28	PA2N015-5S	12	PF4N001-2BRK	52	PX2N015-2C	37

**Page Index**

Part #	Page	Part #	Page	Part #	Page	Part #	Page
PX2N015-5	35	PX4N003-2	35	PX4N150-9	36	PX6N1.5-2	35
PX2N015-5C	37	PX4N003-2C	37	PX4N150-9C	38	PX6N1.5-2C	37
PX2N020-2	35	PX4N003-5	35	PX4N7.5-2	35	PX6N1.5-5	35
PX2N020-2C	37	PX4N003-5C	37	PX4N7.5-2C	37	PX6N1.5-5C	37
PX2N020-5	35	PX4N005-2	35	PX4N7.5-5	35	PX6N100-2	36
PX2N020-5C	37	PX4N005-2C	37	PX4N7.5-5C	37	PX6N100-2C	38
PX2N025-2	36	PX4N005-5	35	PX6N001-2	35	PX6N100-5	36
PX2N025-2C	38	PX4N005-5C	37	PX6N001-2C	37	PX6N100-5C	38
PX2N025-5	36	PX4N010-2	35	PX6N001-5	35	PX6N125-5	36
PX2N025-5C	38	PX4N010-2C	37	PX6N001-5C	37	PX6N125-5C	38
PX2N030-2	36	PX4N010-5	35	PX6N002-2	35	PX6N125-9	36
PX2N030-2C	38	PX4N010-5C	37	PX6N002-2C	37	PX6N125-9C	38
PX2N030-5	36	PX4N015-2	35	PX6N002-5	35	PX6N7.5-2	35
PX2N030-5C	38	PX4N015-2C	37	PX6N002-5C	37	PX6N7.5-2C	37
PX2N040-2	36	PX4N015-5	35	PX6N003-2	35	PX6N7.5-5	35
PX2N040-2C	38	PX4N015-5C	37	PX6N003-2C	37	PX6N7.5-5C	37
PX2N040-5	36	PX4N020-2	35	PX6N003-5	35	SD4N001-1C	6
PX2N040-5C	38	PX4N020-2C	37	PX6N003-5C	37	SD4N002-1C	6
PX2N050-2	36	PX4N020-5	35	PX6N005-2	35	SD4N003-1C	6
PX2N050-2C	38	PX4N020-5C	37	PX6N005-2C	37	SD4N005-1C	6
PX2N050-5	36	PX4N025-2	36	PX6N005-5	35	SD4N1.5-1C	6
PX2N050-5C	38	PX4N025-2C	38	PX6N005-5C	37	SD4N7.5-1C	6
PX2N060-2	36	PX4N025-5	36	PX6N010-2	35	SF4N.33-1C	6
PX2N060-2C	38	PX4N025-5C	38	PX6N010-2C	37	SF4N.50-1C	6
PX2N060-5	36	PX4N030-2	36	PX6N010-5	35	SF4N.75-1C	6
PX2N060-5C	38	PX4N030-2C	38	PX6N010-5C	37	SF4N001-1C	6
PX2N075-2	36	PX4N030-5	36	PX6N015-2	35	SF4N002-1C	6
PX2N075-2C	38	PX4N030-5C	38	PX6N015-2C	37	SF4N1.5-1C	6
PX2N075-5	36	PX4N040-2	36	PX6N015-5	35	SS2N.33-1C	5
PX2N075-5C	38	PX4N040-2C	38	PX6N015-5C	37	SS2N.50-1C	5
PX2N1.5-2	35	PX4N040-5	36	PX6N020-2	35	SS2N.75-1C	5
PX2N1.5-2C	37	PX4N040-5C	38	PX6N020-2C	37	SS2N001-1C	5
PX2N1.5-5	35	PX4N050-2	36	PX6N020-5	35	SS2N002-1C	5
PX2N1.5-5C	37	PX4N050-2C	38	PX6N020-5C	37	SS2N1.5-1C	5
PX2N100-2	36	PX4N050-5	36	PX6N025-2	36	SS4N.33-1C	5
PX2N100-2C	38	PX4N050-5C	38	PX6N025-2C	38	SS4N.50-1C	5
PX2N100-5	36	PX4N060-2	36	PX6N025-5	36	SS4N.75-1C	5
PX2N100-5C	38	PX4N060-2C	38	PX6N025-5C	38	SS4N001-1C	5
PX2N125-5	36	PX4N060-5	36	PX6N030-2	36	SS4N002-1C	5
PX2N125-5C	38	PX4N060-5C	38	PX6N030-2C	38	SS4N1.5-1C	5
PX2N125-9	36	PX4N075-2	36	PX6N030-5	36		
PX2N125-9C	38	PX4N075-2C	38	PX6N030-5C	38		
PX2N150-5	36	PX4N075-5	36	PX6N040-2	36		
PX2N150-5C	38	PX4N075-5C	38	PX6N040-2C	38		
PX2N150-9	36	PX4N1.5-2	35	PX6N040-5	36		
PX2N150-9C	38	PX4N1.5-2C	37	PX6N040-5C	38		
PX2N7.5-2	35	PX4N1.5-5	35	PX6N050-2	36		
PX2N7.5-2C	37	PX4N1.5-5C	37	PX6N050-2C	38		
PX2N7.5-5	35	PX4N100-2	36	PX6N050-5	36		
PX2N7.5-5C	37	PX4N100-2C	38	PX6N050-5C	38		
PX4N001-2	35	PX4N100-5	36	PX6N060-2	36		
PX4N001-2C	37	PX4N100-5C	38	PX6N060-2C	38		
PX4N001-5	35	PX4N125-5	36	PX6N060-5	36		
PX4N001-5C	37	PX4N125-5C	38	PX6N060-5C	38		
PX4N002-2	35	PX4N125-9	36	PX6N075-2	36		
PX4N002-2C	37	PX4N125-9C	38	PX6N075-2C	38		
PX4N002-5	35	PX4N150-5	36	PX6N075-5	36		
PX4N002-5C	37	PX4N150-5C	38	PX6N075-5C	38		