

NEMA · IEC · Close Coupled Pump Motors  
ATEX EExd · ATEX EExde · ATEX EExnA  
Witton Kramer Brakes · Brake Motors  
NEMA Explosion Proof · Three Phase  
Single Phase · IECex  
Aluminum · Cast Iron  
Premium Efficient



# BROOK CROMPTON

Keeping Industry Turning

Quality  
Reliability  
Flexibility



## MOTOR PRODUCT CATALOG

## Table of Contents

### NEMA Motors


Single Phase 56C - Rolled Steel - TEFC	
Pricing.....	5
Drawing.....	6

W-Series - Aluminum 56/56C Frame - TEFC	
Pricing.....	7-9
Drawing.....	96-97

W-Series - Aluminum 143T-286T - TEFC	
Pricing.....	10-16
Drawing .....	96-97

W-Series - Cast Iron - TEFC	
Pricing.....	17-26
Drawing.....	96-97

Explosion Proof - TEFC	
Pricing.....	27-31
Drawing.....	96-97

 JM/JP Close Coupled Pump Motors - TEFC	
Pricing.....	32-36
Drawing.....	95

Two Speed Motors - TEFC	
Pricing.....	37-43
Drawing.....	96-97

Brake Motors - TEFC	
Pricing.....	44-46
Drawing.....	96-97

### IEC Motors

W-Series - Aluminum - TEFC	
Pricing.....	47-53
Drawing.....	98-99

W-Series - Cast Iron - TEFC	
Pricing.....	54-62
Drawing.....	98-101

ATEX Classification Breakdown .....	63
-------------------------------------	----


ATEX EExd - Explosion Proof - TEFC	
Pricing.....	64-69
Drawing.....	100-101

ATEX EExde - Explosion Proof - TEFC	
Pricing.....	70-75
Drawing.....	100-101

ATEX EExnA - Non-Sparking - TEFC	
Pricing.....	76-81
Drawing.....	100-101

Brake Motors - TEFC	
Pricing.....	82-85
Drawing.....	98-99

### Brakes

 Witton Kramer PG/PM Brakes	
Pricing.....	86-88
Drawing.....	86-88

### Modifications

Flange Kits .....	92
Mounting Accessories .....	93
Modifications Prices.....	94

### Miscellaneous

General Information .....	2
Part Number Breakdown.....	3
Website.....	4
Ingress Protection Definition .....	102
Mounting Codes .....	103
Index .....	104-112

Prices Shown in this publication are list:  
Subject to change without notice.  
Subject to our Standard Terms and Conditions of Sale

Dimensions should not be used for installation purposes.  
Certified drawings can be supplied at time of order receipt.



### **List Prices and Discounts**

All prices in this catalog are list prices and are exclusive of any applicable taxes. Contact your Brook Crompton distributor or a Brook Crompton Regional office for your applicable discount.

### **Manufacturing Policy**

Every care has been taken to ensure the accuracy of the information contained in this publication; however, due to our policy of continuous development and improvement, the right is reserved to supply products which may differ slightly from those illustrated and described in this publication.

### **Warranty Policy**

Brook Crompton warrants its NEMA and IEC integral horsepower motors to be free from defect in materials and workmanship and to conform to its written specifications for a period of 36 months from date of first use or 42 months from date of manufacture, whichever period shall expire first. Additionally, Brook Crompton warrants its NEMA 56 frame / 63-80 frame IEC motors to be free from defect in materials and workmanship and to conform to its written specifications for a period of 12 months from date of first use or 18 months from date of manufacture, whichever period shall expire first.

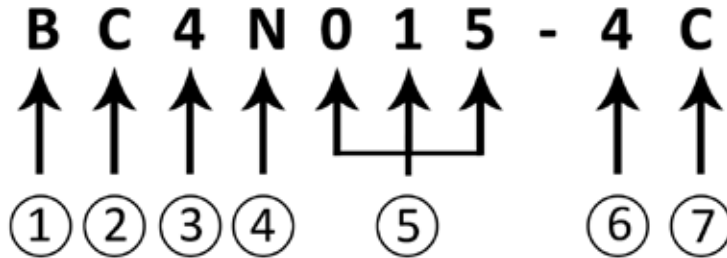
Brook Crompton reserves the right to repair or replace, solely at their discretion, any motors that are deemed to have failed during the warranty period stated above.

### **Service Procedures**

1. Contact Brook Crompton immediately.
2. Provide full details: i.e. HP, frame, serial number, and date of purchase.
3. Brook Crompton will establish if service or replacement is required and if a valid warranty exists.

Brook Crompton will cover under warranty the repair or replacement of the defective unit. Brook Crompton will not be liable for any freight charges and/or installation/removal costs associated with the repair/replacement.

# Part Number Breakdown



- ① Motor Series/Model
- ② Material:  
 C - Cast Iron  
 A - Aluminum  
 S - Rolled Steel  
 F - Aluminum Fractional
- ③ Number of Poles
- ④ NEMA (N) or Metric/IEC (M)
- ⑤ Horsepower (3 Digits)
- ⑥ Voltage:  
 1 - 115/230 V 60Hz  
 2 - 208-230/460 V 60Hz  
 3 - 208/416 V 60Hz  
 4 - 230/460 V 60Hz,  
 190/380-415 V 50Hz  
 5 - 575 V 60Hz  
 6 - 190/380 V 50Hz  
 7 - 200/400 V 50Hz  
 8 - 230 V 60Hz  
 9 - 440/460/480 V 60Hz  
 W - 220-240/380-415 V 50Hz  
 E - 380-415/660-720 V 50Hz
- ⑦ Mounting:  
 Blank - Foot Mounted (B3)  
 C - C-Face With Feet (B34)  
 D - D-Flange With Feet (B35)

Above part number is:

**B:** W-Series

**C:** Cast Iron

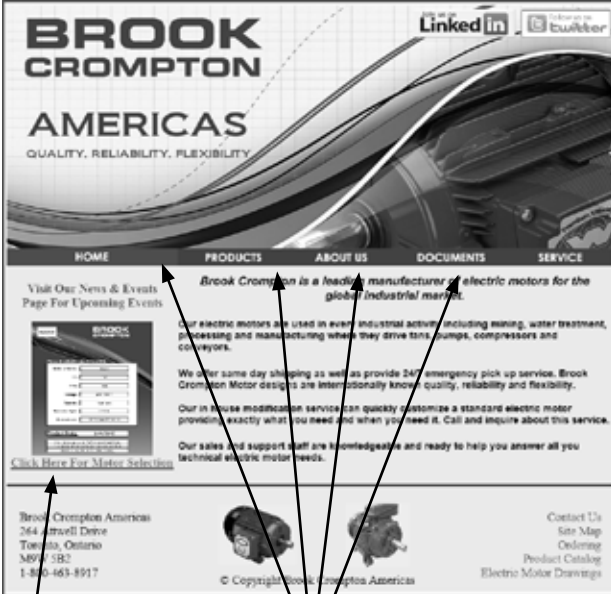
**4:** 4 Pole (1800 rpm 60Hz/  
1500 rpm 50Hz)

**N:** NEMA

**015:** 15 HP

**4:** 230/460 V

**C:** C-Face with feet



**Header Tabs:**  
Choose from one of our main header tabs to view details about our products and services

**Brook Crompton Data Package:**  
Search for a part number or input the specs to find all of the data for our motors

**Side tabs**  
Use the side tabs to see more options under the main header tab

**Technical Drawings**  
Search for a motor by frame size to view the technical drawing for that motor



**Products Page:**  
View the details and a picture of all the motors in our product line

**Online Order & Quote Website**  
Search for stock, check prices, and order products using our online system. Contact Brook Crompton for access to this online tool



Single Phase NEMA 56C  
 Rolled Steel Frame Motors.  
 Totally Enclosed Fan Cooled.

- 0.33 HP to 2 HP
- 115/208-230V
- Class F insulation
- Locked drive-end bearing
- 1.15 service factor
- Belt drive or close coupled applications
- Feet welded to motor
- Black paint
- 1 year warranty

HP	RPM	Frame	Voltage	P/N	List	FL Amps	C Dim. (IN)	LBS
0.33	3600	56C	115-208/230V	SS2N.33-1C	\$215	2.6	11.9	23
	1800	56C	115-208/230V	SS4N.33-1C	\$294	2.4	11.9	22
0.50	3600	56C	115-208/230V	SS2N.50-1C	\$263	3.3	11.9	26
	1800	56C	115-208/230V	SS4N.50-1C	\$347	3.2	11.9	23
0.75	3600	56C	115-208/230V	SS2N.75-1C	\$311	4.3	13.07	30
	1800	56C	115-208/230V	SS4N.75-1C	\$427	4.4	13.07	25
1	3600	56C	115-208/230V	SS2N001-1C	\$360	5.4	13.07	36
	1800	56C	115-208/230V	SS4N001-1C	\$446	5.6	13.07	40
1.5	3600	56C	115-208/230V	SS2N1.5-1C	\$449	6.9	14.45	45
	1800	56C	115-208/230V	SS4N1.5-1C	\$521	6.7	14.45	48
2	3600	56C	115-208/230V	SS2N002-1C	\$543	9	14.45	40
	1800	56C	115-208/230V	SS4N002-1C	\$639	8.9	14.45	50

Discount Category **05**

Single Phase
Fractional 56/56C
NEMA Aluminum
NEMA Cast Iron
NEMA Explosion Proof
Close Coupled Pump Motor
NEMA 2 Speed Motor
NEMA Brake Motor

Single Phase

Fractional  
56/56C

NEMA  
Aluminum

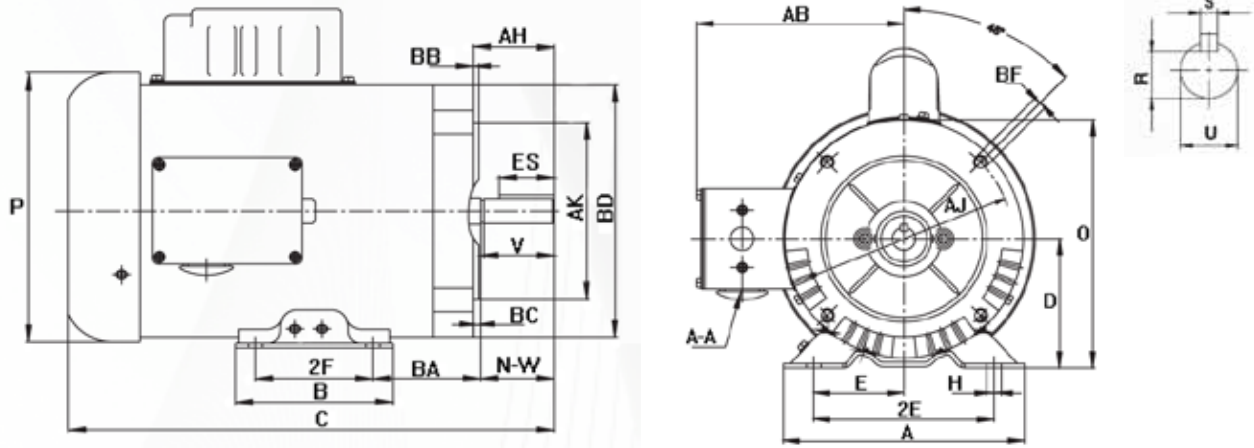
NEMA  
Cast Iron

NEMA  
Explosion Proof

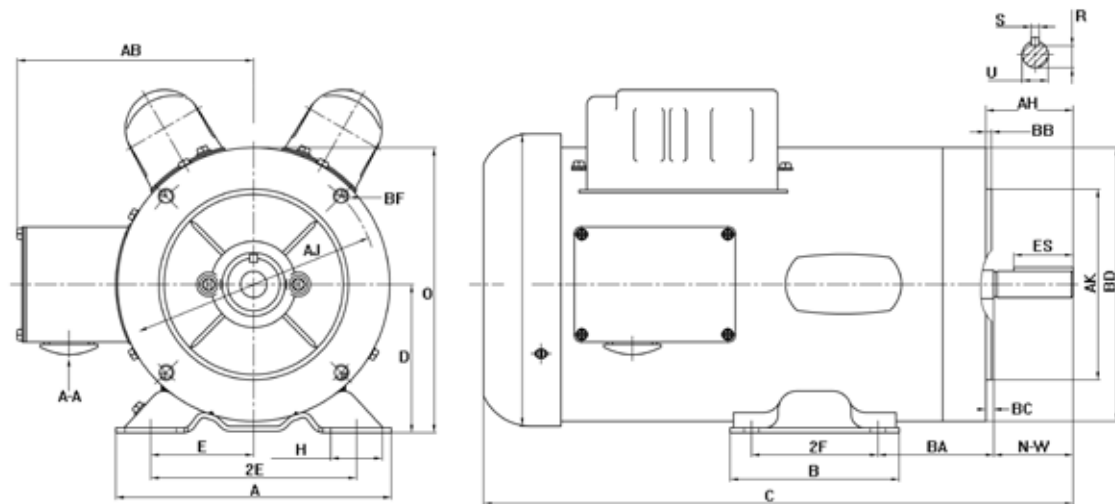
Close Coupled  
Pump Motor

NEMA  
2 Speed Motor

NEMA  
Brake Motor



*Note: 0.33 - 1 HP*



*Note: 1.5 - 2 HP*

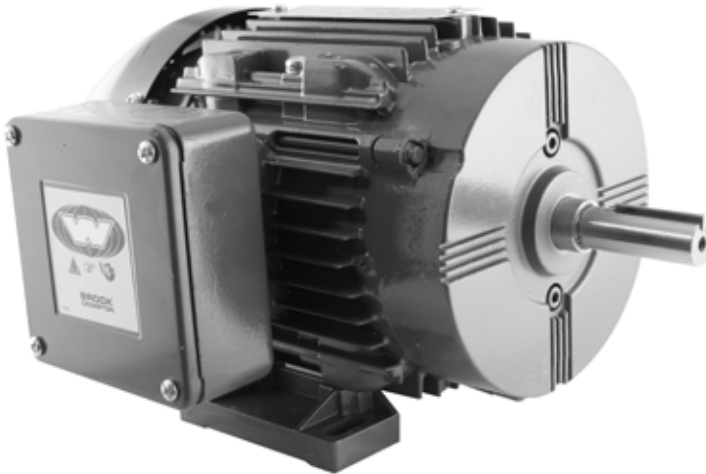
Frame	AB	BA	MAX A	MAX B	D	E	2F	N-W	O	P	R	S	U
56C	5.6	2.75	6.5	4.2	3.5	2.44	3	1.875	6.7	7.08	0.517	0.188	0.625

MIN ES	MIN AA	BF	MAX BB	MAX BD	BC	AH	AJ	AK
1.41	1/2	3/8-16	0.16	6.5	0.19	2.06	5.875	4.5



Lightweight High Performance Cast Aluminum Frames. Features Include:



- NEMA MG1-Part 31 inverter duty 15:1 constant torque, 20:1 variable torque
- 1.25 service factor at 60Hz, 1.0 service factor at 50Hz
- Class F insulation with class B temperature rise
- Removable/ repositionable feet for easy conversion to F1, F2, F3 (F0), or round body configuration
- IP55 degree of protection for washdown duty enclosure
- Full contact shaft seals inside both brackets for increased protection against contaminants
- Dual rated 60/50Hz at same HP
- Cast aluminum conduit box with drilled and tapped entry is rotatable in 90 degree increments
- CSA approved for Class I; Division 2; Groups A, B, C & D, Zone 2; Groups IIA & IIB T3 on sine wave power
- Internal tropicproof
- 1 year warranty

**Notes:**

**RF** - Removable Feet

**EI** - Does Not Meet EISA Efficiency Legislation

Single Phase
Fractional 56/56C
NEMA Aluminum
NEMA Cast Iron
NEMA Explosion Proof
Close Coupled Pump Motor
NEMA 2 Speed Motor
NEMA Brake Motor



Single Phase

Fractional 56/56C

NEMA Aluminum

NEMA Cast Iron

NEMA Explosion Proof

Close Coupled Pump Motor

NEMA 2 Speed Motor

NEMA Brake Motor

HP	RPM	Frame	Voltage	P/N	List	FL Eff.	C Dim. (IN)	S.F. 60 Hz	FL Amps	LBS	Notes
0.25	1800	56	208-230/460 V	BF4N.25-2	\$227	66	11.54	1.25	0.50	18	RF
	1800	56	575 V	BF4N.25-5	\$227	66	11.54	1.25	0.40	18	RF
	1200	56	208-230/460 V	BF6N.25-2	\$274	72.5	11.54	1.25	0.45	18	RF
	1200	56	575 V	BF6N.25-5	\$274	72.5	11.54	1.25	0.36	18	RF
	900	56	208-230/460 V	BF8N.25-2	\$297	57.5	11.54	1.25	0.87	18	RF
	900	56	575 V	BF8N.25-5	\$297	57.5	11.54	1.25	0.70	18	RF
0.33	3600	56	208-230/460 V	BF2N.33-2	\$239	74	11.54	1.25	0.49	18	RF
	3600	56	575 V	BF2N.33-5	\$239	74	11.54	1.25	0.39	18	RF
	1800	56	208-230/460 V	BF4N.33-2	\$230	68	11.54	1.25	0.66	18	RF
	1800	56	575 V	BF4N.33-5	\$230	68	11.54	1.25	0.53	18	RF
	1200	56	208-230/460 V	BF6N.33-2	\$294	72.5	11.54	1.25	0.62	18	RF
	1200	56	575 V	BF6N.33-5	\$294	72.5	11.54	1.25	0.49	18	RF
	900	56	208-230/460 V	BF8N.33-2	\$297	70	11.54	1.25	0.70	18	RF
	900	56	575 V	BF8N.33-5	\$297	70	11.54	1.25	0.60	18	RF
0.50	3600	56	208-230/460 V	BF2N.50-2	\$254	74	11.54	1.25	0.72	18	RF
	3600	56	575 V	BF2N.50-5	\$254	74	11.54	1.25	0.58	18	RF
	1800	56	208-230/460 V	BF4N.50-2	\$235	68	11.54	1.25	0.98	18	RF
	1800	56	575 V	BF4N.50-5	\$235	68	11.54	1.25	0.78	18	RF
	1200	56	208-230/460 V	BF6N.50-2	\$297	74	11.54	1.25	0.90	18	RF
	1200	56	575 V	BF6N.50-5	\$297	74	11.54	1.25	0.72	18	RF
	900	56	208-230/460 V	BF8N.50-2	\$317	72.5	11.54	1.25	1.10	18	RF
	900	56	575 V	BF8N.50-5	\$317	72.5	11.54	1.25	0.85	18	RF
0.75	3600	56	208-230/460 V	BF2N.75-2	\$274	75	11.54	1.25	1.15	20	RF
	3600	56	575 V	BF2N.75-5	\$274	75	11.54	1.25	0.92	20	RF
	1800	56	208-230/460 V	BF4N.75-2	\$250	75.5	11.54	1.25	1.28	20	RF
	1800	56	575 V	BF4N.75-5	\$250	75.5	11.54	1.25	1.02	20	RF
	1200	56	208-230/460 V	BF6N.75-2	\$317	72.5	11.54	1.25	1.36	20	RF
	1200	56	575 V	BF6N.75-5	\$317	72.5	11.54	1.25	1.09	20	RF
1	3600	56	208-230/460 V	BF2N001-2	\$290	75	11.54	1.25	1.51	24	RF
	3600	56	575 V	BF2N001-5	\$290	75	11.54	1.25	1.21	24	RF
	1800	56	208-230/460 V	BF4N001-2	\$286	73	11.54	1.25	1.67	24	RF, EI
	1800	56	575 V	BF4N001-5	\$286	73	11.54	1.25	1.34	24	RF, EI
1.5	3600	56	208-230/460 V	BF2N1.5-2	\$295	77	11.54	1.25	2.11	24	RF, EI
	3600	56	575 V	BF2N1.5-5	\$295	77	11.54	1.25	1.69	24	RF, EI
	1800	56	208-230/460 V	BF4N1.5-2	\$317	75	11.54	1.25	2.40	24	RF, EI
	1800	56	575 V	BF4N1.5-5	\$317	75	11.54	1.25	1.91	24	RF, EI

Discount Category **10**

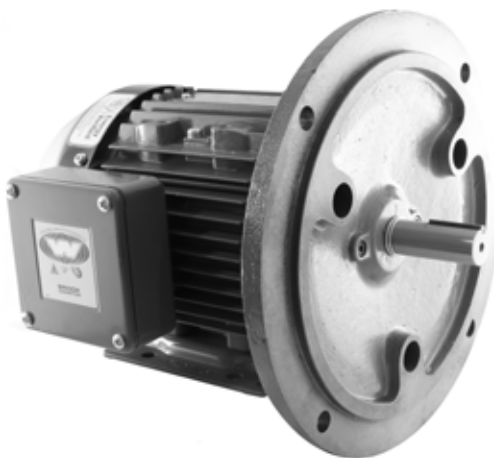
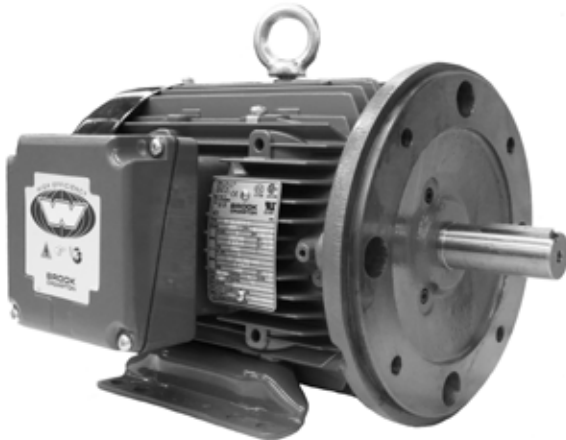
**W Series NEMA 56C, 3 Phase - TEFC**  
**C-Face With Removable Feet - Cast Aluminum**

HP	RPM	Frame	Voltage	P/N	List	FL Eff.	C Dim. (IN)	S.F. 60 Hz	FL Amps	LBS	Notes
0.25	1800	56C	208-230/460 V	BF4N.25-2C	\$241	66	11.54	1.25	0.50	24	RF
	1800	56C	575 V	BF4N.25-5C	\$241	66	11.54	1.25	0.40	24	RF
	1200	56C	208-230/460 V	BF6N.25-2C	\$290	72.5	11.54	1.25	0.45	24	RF
	1200	56C	575 V	BF6N.25-5C	\$290	72.5	11.54	1.25	0.36	24	RF
	900	56C	208-230/460 V	BF8N.25-2C	\$315	57.5	11.54	1.25	0.87	24	RF
	900	56C	575 V	BF8N.25-5C	\$315	57.5	11.54	1.25	0.70	24	RF
0.33	3600	56C	208-230/460 V	BF2N.33-2C	\$253	74	11.54	1.25	0.49	24	RF
	3600	56C	575 V	BF2N.33-5C	\$253	74	11.54	1.25	0.39	24	RF
	1800	56C	208-230/460 V	BF4N.33-2C	\$244	68	11.54	1.25	0.66	24	RF
	1800	56C	575 V	BF4N.33-5C	\$244	68	11.54	1.25	0.53	24	RF
	1200	56C	208-230/460 V	BF6N.33-2C	\$311	72.5	11.54	1.25	0.62	24	RF
	1200	56C	575 V	BF6N.33-5C	\$311	72.5	11.54	1.25	0.49	24	RF
	900	56C	208-230/460 V	BF8N.33-2C	\$315	70	11.54	1.25	0.70	24	RF
	900	56C	575 V	BF8N.33-5C	\$315	70	11.54	1.25	0.60	24	RF
0.50	3600	56C	208-230/460 V	BF2N.50-2C	\$270	74	11.54	1.25	0.72	24	RF
	3600	56C	575 V	BF2N.50-5C	\$270	74	11.54	1.25	0.58	24	RF
	1800	56C	208-230/460 V	BF4N.50-2C	\$249	68	11.54	1.25	0.98	24	RF
	1800	56C	575 V	BF4N.50-5C	\$249	68	11.54	1.25	0.78	24	RF
	1200	56C	208-230/460 V	BF6N.50-2C	\$315	74	11.54	1.25	0.90	24	RF
	1200	56C	575 V	BF6N.50-5C	\$315	74	11.54	1.25	0.72	24	RF
	900	56C	208-230/460 V	BF8N.50-2C	\$336	72.5	11.54	1.25	1.10	24	RF
	900	56C	575 V	BF8N.50-5C	\$336	72.5	11.54	1.25	0.85	24	RF
0.75	3600	56C	208-230/460 V	BF2N.75-2C	\$290	75	11.54	1.25	1.15	26	RF
	3600	56C	575 V	BF2N.75-5C	\$290	75	11.54	1.25	0.92	26	RF
	1800	56C	208-230/460 V	BF4N.75-2C	\$266	75.5	11.54	1.25	1.28	26	RF
	1800	56C	575 V	BF4N.75-5C	\$266	75.5	11.54	1.25	1.02	26	RF
	1200	56C	208-230/460 V	BF6N.75-2C	\$336	72.5	11.54	1.25	1.36	26	RF
	1200	56C	575 V	BF6N.75-5C	\$336	72.5	11.54	1.25	1.09	26	RF
1	3600	56C	208-230/460 V	BF2N001-2C	\$307	75	11.54	1.25	1.51	28	RF
	3600	56C	575 V	BF2N001-5C	\$307	75	11.54	1.25	1.21	28	RF
	1800	56C	208-230/460 V	BF4N001-2C	\$303	73	11.54	1.25	1.67	28	RF, EI
	1800	56C	575 V	BF4N001-5C	\$303	73	11.54	1.25	1.34	28	RF, EI
1.5	3600	56C	208-230/460 V	BF2N1.5-2C	\$313	77	11.54	1.25	2.11	28	RF, EI
	3600	56C	575 V	BF2N1.5-5C	\$313	77	11.54	1.25	1.69	28	RF, EI
	1800	56C	208-230/460 V	BF4N1.5-2C	\$336	75	11.54	1.25	2.40	28	RF, EI
	1800	56C	575 V	BF4N1.5-5C	\$336	75	11.54	1.25	1.91	28	RF, EI

Discount Category **10**

- Single Phase
- Fractional 56/56C
- NEMA Aluminum
- NEMA Cast Iron
- NEMA Explosion Proof
- Close Coupled Pump Motor
- NEMA 2 Speed Motor
- NEMA Brake Motor

Single Phase
Fractional 56/56C
NEMA Aluminum
NEMA Cast Iron
NEMA Explosion Proof
Close Coupled Pump Motor
NEMA 2 Speed Motor
NEMA Brake Motor



Lightweight High Performance Cast Aluminum Frames. Features Include:

- NEMA MG1-Part 31 inverter duty 15:1 constant torque, 20:1 variable torque
- 1.25 service factor at 60Hz, 1.0 service factor at 50Hz
- Class F insulation with class B temperature rise
- Removable/ repositionable feet for easy conversion to F1, F2, F3 (F0), or round body configuration
- IP55 degree of protection for washdown duty applications
- Full contact shaft seals inside both brackets for increased protection against contaminants
- Dual rated 60/50Hz at same HP
- Cast aluminum conduit box with drilled and tapped entry is rotatable in 90 degree increments
- CSA approved for Class I; Division 2; Groups A, B, C & D, Zone 2; Groups IIA & IIB T3 on sine wave power
- Internal tropicproof
- 3 year warranty

**Notes:**  
RF - Removable Feet  
TM - Thermistors

# W Series NEMA 143T-286T, 3 Phase - TEFC Foot Mounted - Cast Aluminum



HP	RPM	Frame	Voltage	P/N	List	FL Eff.	C Dim. (IN)	S.F. 60 Hz	FL Amps	LBS	Notes
0.75	1200	143/5T	230/460 V	BA6N.75-4	\$484	81.7	14.18	1.25	1.70	28	RF
	1200	143/5T	575 V	BA6N.75-5	\$484	81.7	14.18	1.25	1.36	28	RF
1	1800	143/5T	208/416 V	BA4N001-3	\$431	85.5	14.18	1.25	1.55	40	RF
	1800	143/5T	230/460 V	BA4N001-4	\$431	85.5	14.18	1.25	1.40	40	RF
	1800	143/5T	575 V	BA4N001-5	\$431	85.5	14.18	1.25	1.12	40	RF
	1200	145T	208/416 V	PA6N001-3	\$484	85.5	13.70	1.25	1.66	42	RF
	1200	145T	230/460 V	PA6N001-4	\$484	85.5	13.70	1.25	1.50	42	RF
	1200	145T	575 V	PA6N001-5	\$484	85.5	13.70	1.25	1.20	42	RF
1.5	3600	143/5T	208/416 V	BA2N1.5-3	\$453	84	14.18	1.25	2.10	40	RF
	3600	143/5T	230/460 V	BA2N1.5-4	\$453	84	14.18	1.25	1.90	40	RF
	3600	143/5T	575 V	BA2N1.5-5	\$453	84	14.18	1.25	1.52	40	RF
	1800	143/5T	208/416 V	BA4N1.5-3	\$468	86.5	14.18	1.25	2.32	42	RF
	1800	143/5T	230/460 V	BA4N1.5-4	\$468	86.5	14.18	1.25	2.10	42	RF
	1800	143/5T	575 V	BA4N1.5-5	\$468	86.5	14.18	1.25	1.68	42	RF
	1200	182T	208/416 V	PA6N1.5-3	\$652	87.5	15.10	1.25	2.43	90	RF
	1200	182T	230/460 V	PA6N1.5-4	\$652	87.5	15.10	1.25	2.20	90	RF
2	1200	182T	575 V	PA6N1.5-5	\$652	87.5	15.10	1.25	1.80	90	RF
	3600	143/5T	208/416 V	BA2N002-3	\$501	85.5	14.18	1.25	2.88	42	RF
	3600	143/5T	230/460 V	BA2N002-4	\$501	85.5	14.18	1.25	2.60	42	RF
	3600	143/5T	575 V	BA2N002-5	\$501	85.5	14.18	1.25	2.08	42	RF
	1800	143/5T	208/416 V	BA4N002-3	\$501	86.5	14.18	1.25	3.21	42	RF
	1800	143/5T	230/460 V	BA4N002-4	\$501	86.5	14.18	1.25	2.90	42	RF
	1800	143/5T	575 V	BA4N002-5	\$501	86.5	14.18	1.25	2.32	42	RF
	1200	184T	208/416 V	PA6N002-3	\$697	88.5	16.10	1.25	3.32	102	RF
3	1200	184T	230/460 V	PA6N002-4	\$697	88.5	16.10	1.25	3.00	102	RF
	1200	184T	575 V	PA6N002-5	\$697	88.5	16.10	1.25	2.40	102	RF
	3600	182/4T	208/416 V	BA2N003-3	\$663	86.5	15.43	1.25	3.87	90	RF
	3600	182/4T	230/460 V	BA2N003-4	\$663	86.5	15.43	1.25	3.50	90	RF
	3600	182/4T	575 V	BA2N003-5	\$663	86.5	15.43	1.25	2.80	90	RF
	1800	182/4T	208/416 V	BA4N003-3	\$669	89.5	15.43	1.25	4.31	90	RF
	1800	182/4T	230/460 V	BA4N003-4	\$669	89.5	15.43	1.25	3.90	90	RF
	1800	182/4T	575 V	BA4N003-5	\$669	89.5	15.43	1.25	3.12	90	RF
5	1200	213T	208/416 V	PA6N003-3	\$919	89.5	18.30	1.25	4.64	130	RF
	1200	213T	230/460 V	PA6N003-4	\$919	89.5	18.30	1.25	4.20	130	RF
	1200	213T	575 V	PA6N003-5	\$919	89.5	18.30	1.25	3.40	130	RF
	3600	182/4T	208/416 V	BA2N005-3	\$728	88.5	16.27	1.25	6.41	102	RF
	3600	182/4T	230/460 V	BA2N005-4	\$728	88.5	16.27	1.25	5.80	102	RF
	3600	182/4T	575 V	BA2N005-5	\$728	88.5	16.27	1.25	4.64	102	RF
	1800	182/4T	208/416 V	BA4N005-3	\$677	89.5	16.27	1.25	7.19	102	RF
	1800	182/4T	230/460 V	BA4N005-4	\$677	89.5	16.27	1.25	6.50	102	RF
7.5	1800	182/4T	575 V	BA4N005-5	\$677	89.5	16.27	1.25	5.20	102	RF
	1200	215T	208/416 V	PA6N005-3	\$1,198	89.5	19.80	1.25	7.85	150	RF
	1200	215T	230/460 V	PA6N005-4	\$1,198	89.5	19.80	1.25	7.10	150	RF
	1200	215T	575 V	PA6N005-5	\$1,198	89.5	19.80	1.25	5.70	150	RF
	3600	213/5T	208/416 V	BA2N7.5-3	\$935	89.5	19.30	1.25	9.29	130	RF
	3600	213/5T	230/460 V	BA2N7.5-4	\$935	89.5	19.30	1.25	8.40	130	RF
	3600	213/5T	575 V	BA2N7.5-5	\$935	89.5	19.30	1.25	6.72	130	RF
	1800	213/5T	208/416 V	BA4N7.5-3	\$979	91.7	19.30	1.25	10.84	130	RF
7.5	1800	213/5T	230/460 V	BA4N7.5-4	\$979	91.7	19.30	1.25	9.80	130	RF
	1800	213/5T	575 V	BA4N7.5-5	\$979	91.7	19.30	1.25	7.84	130	RF
	1200	254/6T	208/416 V	BA6N7.5-3	\$1,568	91	23.44	1.25	10.73	252	RF, TM
	1200	254/6T	230/460 V	BA6N7.5-4	\$1,568	91	23.44	1.25	9.70	252	RF, TM
	1200	254/6T	575 V	BA6N7.5-5	\$1,568	91	23.44	1.25	7.76	252	RF, TM

Discount Category **16**

Single Phase

Fractional 5/6/5/6C

NEMA Aluminum

NEMA Cast Iron

NEMA Explosion Proof

Close Coupled Pump Motor

NEMA 2 Speed Motor

NEMA Brake Motor

- Single Phase
- Fractional 56/56C
- NEMA Aluminum
- NEMA Cast Iron
- NEMA Explosion Proof
- Close Coupled Pump Motor
- NEMA 2 Speed Motor
- NEMA Brake Motor

HP	RPM	Frame	Voltage	P/N	List	FL Eff.	C Dim. (IN)	S.F. 60 Hz	FL Amps	LBS	Notes
10	3600	213/5T	208/416 V	BA2N010-3	\$1,173	90.2	19.30	1.25	12.83	150	RF
	3600	213/5T	230/460 V	BA2N010-4	\$1,173	90.2	19.30	1.25	11.60	150	RF
	3600	213/5T	575 V	BA2N010-5	\$1,173	90.2	19.30	1.25	9.30	150	RF
	1800	213/5T	208/416 V	BA4N010-3	\$1,191	91.7	19.30	1.25	14.60	150	RF
	1800	213/5T	230/460 V	BA4N010-4	\$1,191	91.7	19.30	1.25	13.20	150	RF
	1800	213/5T	575 V	BA4N010-5	\$1,191	91.7	19.30	1.25	10.50	150	RF
	1200	254/6T	208/416 V	BA6N010-3	\$1,953	91	23.44	1.25	15.80	280	RF, TM
	1200	254/6T	230/460 V	BA6N010-4	\$1,953	91	23.44	1.25	14.29	280	RF, TM
	1200	254/6T	575 V	BA6N010-5	\$1,953	91	23.44	1.25	11.43	280	RF, TM
15	3600	254/6T	208/416 V	BA2N015-3	\$1,724	91	23.44	1.25	18.80	252	RF, TM
	3600	254/6T	230/460 V	BA2N015-4	\$1,724	91	23.44	1.25	17.00	252	RF, TM
	3600	254/6T	575 V	BA2N015-5	\$1,724	91	23.44	1.25	13.60	252	RF, TM
	1800	254/6T	208/416 V	BA4N015-3	\$1,736	92.4	23.44	1.25	19.68	280	RF, TM
	1800	254/6T	230/460 V	BA4N015-4	\$1,736	92.4	23.44	1.25	17.80	280	RF, TM
	1800	254/6T	575 V	BA4N015-5	\$1,736	92.4	23.44	1.25	14.20	280	RF, TM
	1200	284/6T	208/416 V	BA6N015-3	\$2,422	91.7	26.34	1.25	23.52	368	RF, TM
	1200	284/6T	230/460 V	BA6N015-4	\$2,422	91.7	26.34	1.25	21.27	368	RF, TM
	1200	284/6T	575 V	BA6N015-5	\$2,422	91.7	26.34	1.25	17.02	368	RF, TM
20	3600	254/6T	208/416 V	BA2N020-3	\$1,989	91	23.44	1.25	24.55	280	RF, TM
	3600	254/6T	230/460 V	BA2N020-4	\$1,989	91	23.44	1.25	22.20	280	RF, TM
	3600	254/6T	575 V	BA2N020-5	\$1,989	91	23.44	1.25	17.80	280	RF, TM
	1800	254/6T	208/416 V	BA4N020-3	\$2,008	93	23.44	1.25	25.76	280	RF, TM
	1800	254/6T	230/460 V	BA4N020-4	\$2,008	93	23.44	1.25	23.30	280	RF, TM
	1800	254/6T	575 V	BA4N020-5	\$2,008	93	23.44	1.25	18.60	280	RF, TM
	1200	284/6T	208/416 V	BA6N020-3	\$2,970	91.7	26.34	1.25	30.52	368	RF, TM
	1200	284/6T	230/460 V	BA6N020-4	\$2,970	91.7	26.34	1.25	27.60	368	RF, TM
	1200	284/6T	575 V	BA6N020-5	\$2,970	91.7	26.34	1.25	22.08	368	RF, TM
25	3600	284/6TS	208/416 V	BA2N025-3	\$2,368	91.7	24.97	1.25	30.08	315	RF, TM
	3600	284/6TS	230/460 V	BA2N025-4	\$2,368	91.7	24.97	1.25	27.20	315	RF, TM
	3600	284/6TS	575 V	BA2N025-5	\$2,368	91.7	24.97	1.25	21.80	315	RF, TM
	1800	284/6T	208/416 V	BA4N025-3	\$2,398	93.6	26.34	1.25	30.85	315	RF, TM
	1800	284/6T	230/460 V	BA4N025-4	\$2,398	93.6	26.34	1.25	27.90	315	RF, TM
	1800	284/6T	575 V	BA4N025-5	\$2,398	93.6	26.34	1.25	22.30	315	RF, TM
30	3600	284/6TS	208/416 V	BA2N030-3	\$2,833	91.7	24.97	1.25	35.83	368	RF, TM
	3600	284/6TS	230/460 V	BA2N030-4	\$2,833	91.7	24.97	1.25	32.40	368	RF, TM
	3600	284/6TS	575 V	BA2N030-5	\$2,833	91.7	24.97	1.25	25.90	368	RF, TM
	1800	284/6T	208/416 V	BA4N030-3	\$2,894	93.6	26.34	1.25	37.49	368	RF, TM
	1800	284/6T	230/460 V	BA4N030-4	\$2,894	93.6	26.34	1.25	33.90	368	RF, TM
	1800	284/6T	575 V	BA4N030-5	\$2,894	93.6	26.34	1.25	27.10	368	RF, TM

Discount Category **16**

# W Series NEMA 143TC-286TC, 3 Phase - TEFC C-Face With Removable Feet - Cast Aluminum

HP	RPM	Frame	Voltage	P/N	List	FL Eff.	C Dim. (IN)	S.F. 60 Hz	FL Amps	LBS	Notes
0.75	1200	143/5TC	230/460 V	BA6N.75-4C	\$528	81.7	14.18	1.25	1.70	38	RF
	1200	143/5TC	575 V	BA6N.75-5C	\$528	81.7	14.18	1.25	1.36	38	RF
1	1800	143/5TC	208/416 V	BA4N001-3C	\$474	85.5	14.18	1.25	1.55	50	RF
	1800	143/5TC	230/460 V	BA4N001-4C	\$474	85.5	14.18	1.25	1.40	50	RF
	1800	143/5TC	575 V	BA4N001-5C	\$474	85.5	14.18	1.25	1.12	50	RF
	1200	145TC	208/416 V	PA6N001-3C	\$528	85.5	13.70	1.25	1.66	52	RF
	1200	145TC	230/460 V	PA6N001-4C	\$528	85.5	13.70	1.25	1.50	52	RF
	1200	145TC	575 V	PA6N001-5C	\$528	85.5	13.70	1.25	1.20	52	RF
1.5	3600	143/5TC	208/416 V	BA2N1.5-3C	\$497	84	14.18	1.25	2.10	50	RF
	3600	143/5TC	230/460 V	BA2N1.5-4C	\$497	84	14.18	1.25	1.90	50	RF
	3600	143/5TC	575 V	BA2N1.5-5C	\$497	84	14.18	1.25	1.52	50	RF
	1800	143/5TC	208/416 V	BA4N1.5-3C	\$511	86.5	14.18	1.25	2.32	52	RF
	1800	143/5TC	230/460 V	BA4N1.5-4C	\$511	86.5	14.18	1.25	2.10	52	RF
	1800	143/5TC	575 V	BA4N1.5-5C	\$511	86.5	14.18	1.25	1.68	52	RF
	1200	182TC	208/416 V	PA6N1.5-3C	\$715	87.5	15.10	1.25	2.43	100	RF
	1200	182TC	230/460 V	PA6N1.5-4C	\$715	87.5	15.10	1.25	2.20	100	RF
2	1200	182TC	575 V	PA6N1.5-5C	\$715	87.5	15.10	1.25	1.80	100	RF
	3600	143/5TC	208/416 V	BA2N002-3C	\$545	85.5	14.18	1.25	2.88	52	RF
	3600	143/5TC	230/460 V	BA2N002-4C	\$545	85.5	14.18	1.25	2.60	52	RF
	3600	143/5TC	575 V	BA2N002-5C	\$545	85.5	14.18	1.25	2.08	52	RF
	1800	143/5TC	208/416 V	BA4N002-3C	\$544	86.5	14.18	1.25	3.21	52	RF
	1800	143/5TC	230/460 V	BA4N002-4C	\$544	86.5	14.18	1.25	2.90	52	RF
	1800	143/5TC	575 V	BA4N002-5C	\$544	86.5	14.18	1.25	2.32	52	RF
	1200	184TC	208/416 V	PA6N002-3C	\$760	88.5	16.10	1.25	3.32	112	RF
3	1200	184TC	230/460 V	PA6N002-4C	\$760	88.5	16.10	1.25	3.00	112	RF
	1200	184TC	575 V	PA6N002-5C	\$760	88.5	16.10	1.25	2.40	112	RF
	3600	182/4TC	208/416 V	BA2N003-3C	\$727	86.5	15.43	1.25	3.87	100	RF
	3600	182/4TC	230/460 V	BA2N003-4C	\$727	86.5	15.43	1.25	3.50	100	RF
	3600	182/4TC	575 V	BA2N003-5C	\$727	86.5	15.43	1.25	2.80	100	RF
	1800	182/4TC	208/416 V	BA4N003-3C	\$732	89.5	15.43	1.25	4.31	100	RF
	1800	182/4TC	230/460 V	BA4N003-4C	\$732	89.5	15.43	1.25	3.90	100	RF
	1800	182/4TC	575 V	BA4N003-5C	\$732	89.5	15.43	1.25	3.12	100	RF
5	1200	213TC	208/416 V	PA6N003-3C	\$1,016	89.5	18.30	1.25	4.64	132	RF
	1200	213TC	230/460 V	PA6N003-4C	\$1,016	89.5	18.30	1.25	4.20	132	RF
	1200	213TC	575 V	PA6N003-5C	\$1,016	89.5	18.30	1.25	3.40	132	RF
	3600	182/4TC	208/416 V	BA2N005-3C	\$791	88.5	16.27	1.25	6.41	112	RF
	3600	182/4TC	230/460 V	BA2N005-4C	\$791	88.5	16.27	1.25	5.80	112	RF
	3600	182/4TC	575 V	BA2N005-5C	\$791	88.5	16.27	1.25	4.64	112	RF
	1800	182/4TC	208/416 V	BA4N005-3C	\$740	89.5	16.27	1.25	7.19	112	RF
	1800	182/4TC	230/460 V	BA4N005-4C	\$740	89.5	16.27	1.25	6.50	112	RF
	1800	182/4TC	575 V	BA4N005-5C	\$740	89.5	16.27	1.25	5.20	112	RF
7.5	1200	215TC	208/416 V	PA6N005-3C	\$1,295	89.5	19.80	1.25	7.85	162	RF
	1200	215TC	230/460 V	PA6N005-4C	\$1,295	89.5	19.80	1.25	7.10	162	RF
	1200	215TC	575 V	PA6N005-5C	\$1,295	89.5	19.80	1.25	5.70	162	RF
	3600	213/5TC	208/416 V	BA2N7.5-3C	\$1,032	89.5	19.30	1.25	9.29	142	RF
	3600	213/5TC	230/460 V	BA2N7.5-4C	\$1,032	89.5	19.30	1.25	8.40	142	RF
	3600	213/5TC	575 V	BA2N7.5-5C	\$1,032	89.5	19.30	1.25	6.72	142	RF
	1800	213/5TC	208/416 V	BA4N7.5-3C	\$1,076	91.7	19.30	1.25	10.84	142	RF
	1800	213/5TC	230/460 V	BA4N7.5-4C	\$1,076	91.7	19.30	1.25	9.80	142	RF
	1800	213/5TC	575 V	BA4N7.5-5C	\$1,076	91.7	19.30	1.25	7.84	142	RF
7.5	1200	254/6TC	208/416 V	BA6N7.5-3C	\$1,751	91	23.44	1.25	10.73	264	RF, TM
	1200	254/6TC	230/460 V	BA6N7.5-4C	\$1,751	91	23.44	1.25	9.70	264	RF, TM
	1200	254/6TC	575 V	BA6N7.5-5C	\$1,751	91	23.44	1.25	7.76	264	RF, TM

Discount Category **16**

Single Phase  
Fractional 56/56C  
NEMA Aluminum  
NEMA Cast Iron  
NEMA Explosion Proof  
Close Coupled Pump Motor  
NEMA 2 Speed Motor  
NEMA Brake Motor

**W Series NEMA 143TC-286TC, 3 Phase - TEFC  
C-Face With Removable Feet - Cast Aluminum**

- Single Phase
- Fractional 56/56C
- NEMA Aluminum
- NEMA Cast Iron
- NEMA Explosion Proof
- Close Coupled Pump Motor
- NEMA 2 Speed Motor
- NEMA Brake Motor

HP	RPM	Frame	Voltage	P/N	List	FL Eff.	C Dim. (IN)	S.F. 60 Hz	FL Amps	LBS	Notes
10	3600	213/5TC	208/416 V	BA2N010-3C	\$1,270	90.2	19.30	1.25	12.83	162	RF
	3600	213/5TC	230/460 V	BA2N010-4C	\$1,270	90.2	19.30	1.25	11.60	162	RF
	3600	213/5TC	575 V	BA2N010-5C	\$1,270	90.2	19.30	1.25	9.30	162	RF
	1800	213/5TC	208/416 V	BA4N010-3C	\$1,288	91.7	19.30	1.25	14.60	162	RF
	1800	213/5TC	230/460 V	BA4N010-4C	\$1,288	91.7	19.30	1.25	13.20	162	RF
	1800	213/5TC	575 V	BA4N010-5C	\$1,288	91.7	19.30	1.25	10.50	162	RF
	1200	254/6TC	208/416 V	BA6N010-3C	\$2,135	91	23.44	1.25	15.80	292	RF, TM
	1200	254/6TC	230/460 V	BA6N010-4C	\$2,135	91	23.44	1.25	14.29	292	RF, TM
1200	254/6TC	575 V	BA6N010-5C	\$2,135	91	23.44	1.25	11.43	292	RF, TM	
15	3600	254/6TC	208/416 V	BA2N015-3C	\$1,908	91	23.44	1.25	18.80	264	RF, TM
	3600	254/6TC	230/460 V	BA2N015-4C	\$1,908	91	23.44	1.25	17.00	264	RF, TM
	3600	254/6TC	575 V	BA2N015-5C	\$1,908	91	23.44	1.25	13.60	264	RF, TM
	1800	254/6TC	208/416 V	BA4N015-3C	\$1,918	92.4	23.44	1.25	19.68	292	RF, TM
	1800	254/6TC	230/460 V	BA4N015-4C	\$1,918	92.4	23.44	1.25	17.80	292	RF, TM
	1800	254/6TC	575 V	BA4N015-5C	\$1,918	92.4	23.44	1.25	14.20	292	RF, TM
	1200	284/6TC	208/416 V	BA6N015-3C	\$2,611	91.7	26.34	1.25	23.52	380	RF, TM
	1200	284/6TC	230/460 V	BA6N015-4C	\$2,611	91.7	26.34	1.25	21.27	380	RF, TM
1200	284/6TC	575 V	BA6N015-5C	\$2,611	91.7	26.34	1.25	17.02	380	RF, TM	
20	3600	254/6TC	208/416 V	BA2N020-3C	\$2,172	91	23.44	1.25	24.55	292	RF, TM
	3600	254/6TC	230/460 V	BA2N020-4C	\$2,172	91	23.44	1.25	22.20	292	RF, TM
	3600	254/6TC	575 V	BA2N020-5C	\$2,172	91	23.44	1.25	17.80	292	RF, TM
	1800	254/6TC	208/416 V	BA4N020-3C	\$2,188	93	23.44	1.25	25.76	292	RF, TM
	1800	254/6TC	230/460 V	BA4N020-4C	\$2,188	93	23.44	1.25	23.30	292	RF, TM
	1800	254/6TC	575 V	BA4N020-5C	\$2,188	93	23.44	1.25	18.60	292	RF, TM
	1200	284/6TC	208/416 V	BA6N020-3C	\$3,161	91.7	26.34	1.25	30.52	380	RF, TM
	1200	284/6TC	230/460 V	BA6N020-4C	\$3,161	91.7	26.34	1.25	27.60	380	RF, TM
1200	284/6TC	575 V	BA6N020-5C	\$3,161	91.7	26.34	1.25	22.08	380	RF, TM	
25	3600	284/6TSC	208/416 V	BA2N025-3C	\$2,472	91.7	24.97	1.25	30.08	329	RF, TM
	3600	284/6TSC	230/460 V	BA2N025-4C	\$2,472	91.7	24.97	1.25	27.20	329	RF, TM
	3600	284/6TSC	575 V	BA2N025-5C	\$2,472	91.7	24.97	1.25	21.80	329	RF, TM
	1800	284/6TC	208/416 V	BA4N025-3C	\$2,613	93.6	26.34	1.25	30.85	329	RF, TM
	1800	284/6TC	230/460 V	BA4N025-4C	\$2,613	93.6	26.34	1.25	27.90	329	RF, TM
	1800	284/6TC	575 V	BA4N025-5C	\$2,613	93.6	26.34	1.25	22.30	329	RF, TM
30	3600	284/6TSC	208/416 V	BA2N030-3C	\$3,045	91.7	24.97	1.25	35.83	380	RF, TM
	3600	284/6TSC	230/460 V	BA2N030-4C	\$3,045	91.7	24.97	1.25	32.40	380	RF, TM
	3600	284/6TSC	575 V	BA2N030-5C	\$3,045	91.7	24.97	1.25	25.90	380	RF, TM
	1800	284/6TC	208/416 V	BA4N030-3C	\$3,094	93.6	26.34	1.25	37.49	380	RF, TM
	1800	284/6TC	230/460 V	BA4N030-4C	\$3,094	93.6	26.34	1.25	33.90	380	RF, TM
	1800	284/6TC	575 V	BA4N030-5C	\$3,094	93.6	26.34	1.25	27.10	380	RF, TM

Discount Category **16**

# W Series NEMA 143TD-286TD, 3 Phase - TEFC D-Flange With Removable Feet - Cast Aluminum

HP	RPM	Frame	Voltage	P/N	List	FL Eff.	C Dim. (IN)	S.F. 60 Hz	FL Amps	LBS	Notes
0.75	1200	143/5TD	230/460 V	BA6N.75-4D	\$554	81.7	14.18	1.25	1.70	38	RF
	1200	143/5TD	575 V	BA6N.75-5D	\$554	81.7	14.18	1.25	1.36	38	RF
1	1800	143/5TD	208/416 V	BA4N001-3D	\$498	85.5	14.18	1.25	1.55	50	RF
	1800	143/5TD	230/460 V	BA4N001-4D	\$498	85.5	14.18	1.25	1.40	50	RF
	1800	143/5TD	575 V	BA4N001-5D	\$498	85.5	14.18	1.25	1.12	50	RF
	1200	145TD	208/416 V	PA6N001-3D	\$554	85.5	13.70	1.25	1.66	52	RF
	1200	145TD	230/460 V	PA6N001-4D	\$554	85.5	13.70	1.25	1.50	52	RF
	1200	145TD	575 V	PA6N001-5D	\$554	85.5	13.70	1.25	1.20	52	RF
1.5	3600	143/5TD	208/416 V	BA2N1.5-3D	\$522	84	14.18	1.25	2.10	50	RF
	3600	143/5TD	230/460 V	BA2N1.5-4D	\$522	84	14.18	1.25	1.90	50	RF
	3600	143/5TD	575 V	BA2N1.5-5D	\$522	84	14.18	1.25	1.52	50	RF
	1800	143/5TD	208/416 V	BA4N1.5-3D	\$536	86.5	14.18	1.25	2.32	52	RF
	1800	143/5TD	230/460 V	BA4N1.5-4D	\$536	86.5	14.18	1.25	2.10	52	RF
	1800	143/5TD	575 V	BA4N1.5-5D	\$536	86.5	14.18	1.25	1.68	52	RF
	1200	182TD	208/416 V	PA6N1.5-3D	\$751	87.5	15.10	1.25	2.43	100	RF
	1200	182TD	230/460 V	PA6N1.5-4D	\$751	87.5	15.10	1.25	2.20	100	RF
2	1200	182TD	575 V	PA6N1.5-5D	\$751	87.5	15.10	1.25	1.80	100	RF
	3600	143/5TD	208/416 V	BA2N002-3D	\$572	85.5	14.18	1.25	2.88	52	RF
	3600	143/5TD	230/460 V	BA2N002-4D	\$572	85.5	14.18	1.25	2.60	52	RF
	3600	143/5TD	575 V	BA2N002-5D	\$572	85.5	14.18	1.25	2.08	52	RF
	1800	143/5TD	208/416 V	BA4N002-3D	\$571	86.5	14.18	1.25	3.21	52	RF
	1800	143/5TD	230/460 V	BA4N002-4D	\$571	86.5	14.18	1.25	2.90	52	RF
	1800	143/5TD	575 V	BA4N002-5D	\$571	86.5	14.18	1.25	2.32	52	RF
	1200	184TD	208/416 V	PA6N002-3D	\$799	88.5	16.10	1.25	3.32	112	RF
3	1200	184TD	230/460 V	PA6N002-4D	\$799	88.5	16.10	1.25	3.00	112	RF
	1200	184TD	575 V	PA6N002-5D	\$799	88.5	16.10	1.25	2.40	112	RF
	3600	182/4TD	208/416 V	BA2N003-3D	\$762	86.5	15.43	1.25	3.87	100	RF
	3600	182/4TD	230/460 V	BA2N003-4D	\$762	86.5	15.43	1.25	3.50	100	RF
	3600	182/4TD	575 V	BA2N003-5D	\$762	86.5	15.43	1.25	2.80	100	RF
	1800	182/4TD	208/416 V	BA4N003-3D	\$769	89.5	15.43	1.25	4.31	100	RF
	1800	182/4TD	230/460 V	BA4N003-4D	\$769	89.5	15.43	1.25	3.90	100	RF
	1800	182/4TD	575 V	BA4N003-5D	\$769	89.5	15.43	1.25	3.12	100	RF
5	1200	213TD	208/416 V	PA6N003-3D	\$1,066	89.5	18.30	1.25	4.64	132	RF
	1200	213TD	230/460 V	PA6N003-4D	\$1,066	89.5	18.30	1.25	4.20	132	RF
	1200	213TD	575 V	PA6N003-5D	\$1,066	89.5	18.30	1.25	3.40	132	RF
	3600	182/4TD	208/416 V	BA2N005-3D	\$830	88.5	16.27	1.25	6.41	112	RF
	3600	182/4TD	230/460 V	BA2N005-4D	\$830	88.5	16.27	1.25	5.80	112	RF
	3600	182/4TD	575 V	BA2N005-5D	\$830	88.5	16.27	1.25	4.64	112	RF
	1800	182/4TD	208/416 V	BA4N005-3D	\$777	89.5	16.27	1.25	7.19	112	RF
	1800	182/4TD	230/460 V	BA4N005-4D	\$777	89.5	16.27	1.25	6.50	112	RF
	1800	182/4TD	575 V	BA4N005-5D	\$777	89.5	16.27	1.25	5.20	112	RF
	1200	215TD	208/416 V	PA6N005-3D	\$1,360	89.5	19.80	1.25	7.85	162	RF
7.5	1200	215TD	230/460 V	PA6N005-4D	\$1,360	89.5	19.80	1.25	7.10	162	RF
	1200	215TD	575 V	PA6N005-5D	\$1,360	89.5	19.80	1.25	5.70	162	RF
	3600	213/5TD	208/416 V	BA2N7.5-3D	\$1,083	89.5	19.30	1.25	9.29	142	RF
	3600	213/5TD	230/460 V	BA2N7.5-4D	\$1,083	89.5	19.30	1.25	8.40	142	RF
	3600	213/5TD	575 V	BA2N7.5-5D	\$1,083	89.5	19.30	1.25	6.72	142	RF
	1800	213/5TD	208/416 V	BA4N7.5-3D	\$1,129	91.7	19.30	1.25	10.84	142	RF
	1800	213/5TD	230/460 V	BA4N7.5-4D	\$1,129	91.7	19.30	1.25	9.80	142	RF
	1800	213/5TD	575 V	BA4N7.5-5D	\$1,129	91.7	19.30	1.25	7.84	142	RF
	1200	254/6TD	208/416 V	BA6N7.5-3D	\$1,838	91	23.44	1.25	10.73	264	RF, TM
	1200	254/6TD	230/460 V	BA6N7.5-4D	\$1,838	91	23.44	1.25	9.70	264	RF, TM
1200	254/6TD	575 V	BA6N7.5-5D	\$1,838	91	23.44	1.25	7.76	264	RF, TM	

Discount Category **16**

Single Phase

Fractional 56/56C

NEMA Aluminum

NEMA Cast Iron

NEMA Explosion Proof

Close Coupled Pump Motor

NEMA 2 Speed Motor

NEMA Brake Motor



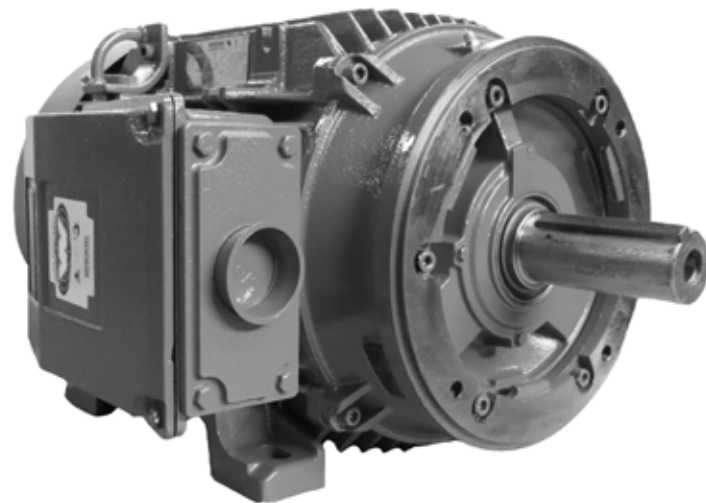
**W Series NEMA 143TD-286TD, 3 Phase - TEFC  
D-Flange With Removable Feet - Cast Aluminum**

- Single Phase
- Fractional 56/56C
- NEMA Aluminum
- NEMA Cast Iron
- NEMA Explosion Proof
- Close Coupled Pump Motor
- NEMA 2 Speed Motor
- NEMA Brake Motor

HP	RPM	Frame	Voltage	P/N	List	FL Eff.	C Dim. (IN)	S.F. 60 Hz	FL Amps	LBS	Notes
10	3600	213/5TD	208/416 V	BA2N010-3D	\$1,333	90.2	19.30	1.25	12.83	162	RF
	3600	213/5TD	230/460 V	BA2N010-4D	\$1,333	90.2	19.30	1.25	11.60	162	RF
	3600	213/5TD	575 V	BA2N010-5D	\$1,333	90.2	19.30	1.25	9.30	162	RF
	1800	213/5TD	208/416 V	BA4N010-3D	\$1,352	91.7	19.30	1.25	14.60	162	RF
	1800	213/5TD	230/460 V	BA4N010-4D	\$1,352	91.7	19.30	1.25	13.20	162	RF
	1800	213/5TD	575 V	BA4N010-5D	\$1,352	91.7	19.30	1.25	10.50	162	RF
	1200	254/6TD	208/416 V	BA6N010-3D	\$2,242	91	23.44	1.25	15.80	292	RF, TM
	1200	254/6TD	230/460 V	BA6N010-4D	\$2,242	91	23.44	1.25	14.29	292	RF, TM
	1200	254/6TD	575 V	BA6N010-5D	\$2,242	91	23.44	1.25	11.43	292	RF, TM
15	3600	254/6TD	208/416 V	BA2N015-3D	\$2,003	91	23.44	1.25	18.80	264	RF, TM
	3600	254/6TD	230/460 V	BA2N015-4D	\$2,003	91	23.44	1.25	17.00	264	RF, TM
	3600	254/6TD	575 V	BA2N015-5D	\$2,003	91	23.44	1.25	13.60	264	RF, TM
	1800	254/6TD	208/416 V	BA4N015-3D	\$2,014	92.4	23.44	1.25	19.68	292	RF, TM
	1800	254/6TD	230/460 V	BA4N015-4D	\$2,014	92.4	23.44	1.25	17.80	292	RF, TM
	1800	254/6TD	575 V	BA4N015-5D	\$2,014	92.4	23.44	1.25	14.20	292	RF, TM
	1200	284/6TD	208/416 V	BA6N015-3D	\$2,742	91.7	26.34	1.25	23.52	380	RF, TM
	1200	284/6TD	230/460 V	BA6N015-4D	\$2,742	91.7	26.34	1.25	21.27	380	RF, TM
	1200	284/6TD	575 V	BA6N015-5D	\$2,742	91.7	26.34	1.25	17.02	380	RF, TM
20	3600	254/6TD	208/416 V	BA2N020-3D	\$2,280	91	23.44	1.25	24.55	292	RF, TM
	3600	254/6TD	230/460 V	BA2N020-4D	\$2,280	91	23.44	1.25	22.20	292	RF, TM
	3600	254/6TD	575 V	BA2N020-5D	\$2,280	91	23.44	1.25	17.80	292	RF, TM
	1800	254/6TD	208/416 V	BA4N020-3D	\$2,298	93	23.44	1.25	25.76	292	RF, TM
	1800	254/6TD	230/460 V	BA4N020-4D	\$2,298	93	23.44	1.25	23.30	292	RF, TM
	1800	254/6TD	575 V	BA4N020-5D	\$2,298	93	23.44	1.25	18.60	292	RF, TM
	1200	284/6TD	208/416 V	BA6N020-3D	\$3,319	91.7	26.34	1.25	30.52	380	RF, TM
	1200	284/6TD	230/460 V	BA6N020-4D	\$3,319	91.7	26.34	1.25	27.60	380	RF, TM
	1200	284/6TD	575 V	BA6N020-5D	\$3,319	91.7	26.34	1.25	22.08	380	RF, TM
25	3600	284/6TSD	208/416 V	BA2N025-3D	\$2,595	91.7	24.97	1.25	30.08	329	RF, TM
	3600	284/6TSD	230/460 V	BA2N025-4D	\$2,595	91.7	24.97	1.25	27.20	329	RF, TM
	3600	284/6TSD	575 V	BA2N025-5D	\$2,595	91.7	24.97	1.25	21.80	329	RF, TM
	1800	284/6TD	208/416 V	BA4N025-3D	\$2,744	93.6	26.34	1.25	30.85	329	RF, TM
	1800	284/6TD	230/460 V	BA4N025-4D	\$2,744	93.6	26.34	1.25	27.90	329	RF, TM
	1800	284/6TD	575 V	BA4N025-5D	\$2,744	93.6	26.34	1.25	22.30	329	RF, TM
30	3600	284/6TSD	208/416 V	BA2N030-3D	\$3,197	91.7	24.97	1.25	35.83	380	RF, TM
	3600	284/6TSD	230/460 V	BA2N030-4D	\$3,197	91.7	24.97	1.25	32.40	380	RF, TM
	3600	284/6TSD	575 V	BA2N030-5D	\$3,197	91.7	24.97	1.25	25.90	380	RF, TM
	1800	284/6TD	208/416 V	BA4N030-3D	\$3,250	93.6	26.34	1.25	37.49	380	RF, TM
	1800	284/6TD	230/460 V	BA4N030-4D	\$3,250	93.6	26.34	1.25	33.90	380	RF, TM
	1800	284/6TD	575 V	BA4N030-5D	\$3,250	93.6	26.34	1.25	27.10	380	RF, TM

Discount Category **16**

**W Series NEMA 143T-447T - TEFC  
Heavy Duty Cast Iron Construction**



Heavy Duty Cast Iron Construction: Frame, End Brackets, & Conduit Box With Heavy Gauge Steel Fanguard and Non-sparking Fan, for Severe Duty Applications. Features Include:

- NEMA MG1-Part 31 inverter duty 15:1 constant torque, 20:1 variable torque
- 1.25 service factor at 60Hz, 1.0 service factor at 50Hz
- Class F insulation with class B temperature rise
- Removable/ repositionable feet for easy conversion to F1, F2, F3 (F0), or round body configuration
- IP55 degree of protection for washdown duty applications
- Full contact shaft seals inside both brackets for increased protection against contaminants
- Dual rated 60/50Hz at same HP
- Cast iron conduit box with drilled and tapped entry is rotatable in 90 degree increments
- CSA approved for Class I; Division 2; Groups A, B, C & D, Zone 2; Groups IIA & IIB T3 on sine wave power
- Internal tropicproof
- 3 year warranty

**Notes:**

**RF** - Removable Feet

**TM** - Thermistors

**RB** - Roller Bearing On Drive End

Single Phase
Fractional 5/6/5/6C
NEMA Aluminum
NEMA Cast Iron
NEMA Explosion Proof
NEMA Close Coupled Pump Motor
NEMA 2 Speed Motor
NEMA Brake Motor

Single Phase

Fractional 56/56C

NEMA Aluminum

NEMA Cast Iron

NEMA Explosion Proof

Close Coupled Pump Motor

NEMA 2 Speed Motor

NEMA Brake Motor

HP	RPM	Frame	Voltage	P/N	List	FL Eff.	C Dim. (IN)	S.F. 60 Hz	FL Amps	LBS	Notes
1	1800	143/5T	230/460 V	BC4N001-4	\$402	85.5	14.18	1.25	1.50	58	RF
	1800	143/5T	575 V	BC4N001-5	\$402	85.5	14.18	1.25	1.20	58	RF
	1200	145T	230/460 V	PC6N001-4	\$476	82.5	14.00	1.25	1.70	60	RF
	1200	145T	575 V	PC6N001-5	\$476	82.5	14.00	1.25	1.40	60	RF
1.5	3600	143/5T	230/460 V	BC2N1.5-4	\$424	84	14.18	1.25	1.90	58	RF
	3600	143/5T	575 V	BC2N1.5-5	\$424	84	14.18	1.25	1.50	58	RF
	1800	143/5T	230/460 V	BC4N1.5-4	\$438	86.5	14.18	1.25	2.10	60	RF
	1800	143/5T	575 V	BC4N1.5-5	\$438	86.5	14.18	1.25	1.60	60	RF
	1200	182T	230/460 V	PC6N1.5-4	\$642	87.5	15.50	1.25	2.20	124	RF
	1200	182T	575 V	PC6N1.5-5	\$642	87.5	15.50	1.25	1.80	124	RF
2	3600	143/5T	230/460 V	BC2N002-4	\$470	85.5	14.18	1.25	2.60	60	RF
	3600	143/5T	575 V	BC2N002-5	\$470	85.5	14.18	1.25	2.00	60	RF
	1800	143/5T	230/460 V	BC4N002-4	\$469	86.5	14.18	1.25	2.90	60	RF
	1800	143/5T	575 V	BC4N002-5	\$469	86.5	14.18	1.25	2.30	60	RF
	1200	184T	230/460 V	PC6N002-4	\$686	88.5	16.50	1.25	3.00	136	RF
	1200	184T	575 V	PC6N002-5	\$686	88.5	16.50	1.25	2.40	136	RF
3	3600	182/4T	230/460 V	BC2N003-4	\$621	86.5	15.43	1.25	3.50	124	RF
	3600	182/4T	575 V	BC2N003-5	\$621	86.5	15.43	1.25	2.80	124	RF
	1800	182/4T	230/460 V	BC4N003-4	\$627	89.5	15.43	1.25	3.90	124	RF
	1800	182/4T	575 V	BC4N003-5	\$627	89.5	15.43	1.25	3.10	124	RF
	1200	213T	230/460 V	PC6N003-4	\$903	89.5	19.30	1.25	4.20	204	RF
	1200	213T	575 V	PC6N003-5	\$903	89.5	19.30	1.25	3.40	204	RF
5	3600	182/4T	230/460 V	BC2N005-4	\$681	88.5	16.27	1.25	5.90	136	RF
	3600	182/4T	575 V	BC2N005-5	\$681	88.5	16.27	1.25	4.70	136	RF
	1800	182/4T	230/460 V	BC4N005-4	\$634	89.5	16.27	1.25	6.50	136	RF
	1800	182/4T	575 V	BC4N005-5	\$634	89.5	16.27	1.25	5.00	136	RF
	1200	215T	230/460 V	PC6N005-4	\$1,177	89.5	18.78	1.25	7.10	220	RF
	1200	215T	575 V	PC6N005-5	\$1,177	89.5	18.78	1.25	5.70	220	RF
7.5	3600	213/5T	230/460 V	BC2N7.5-4	\$875	89.5	19.30	1.25	8.40	204	RF
	3600	213/5T	575 V	BC2N7.5-5	\$875	89.5	19.30	1.25	6.70	204	RF
	1800	213/5T	230/460 V	BC4N7.5-4	\$916	91.7	19.30	1.25	9.80	204	RF
	1800	213/5T	575 V	BC4N7.5-5	\$916	91.7	19.30	1.25	7.80	204	RF
	1200	254/6T	230/460 V	BC6N7.5-4	\$1,542	91	20.28	1.25	10.90	320	RF, TM
	1200	254/6T	575 V	BC6N7.5-5	\$1,542	91	23.44	1.25	8.70	320	RF, TM
10	3600	213/5T	230/460 V	BC2N010-4	\$1,098	90.2	19.30	1.25	11.60	220	RF
	3600	213/5T	575 V	BC2N010-5	\$1,098	90.2	19.30	1.25	9.30	220	RF
	1800	213/5T	230/460 V	BC4N010-4	\$1,115	91.7	19.30	1.25	13.20	220	RF
	1800	213/5T	575 V	BC4N010-5	\$1,115	91.7	19.30	1.25	10.50	220	RF
	1200	254/6T	230/460 V	BC6N010-4	\$1,919	91	23.44	1.25	14.30	374	RF, TM
	1200	254/6T	575 V	BC6N010-5	\$1,919	91	23.44	1.25	11.40	374	RF, TM
15	3600	254/6T	230/460 V	BC2N015-4	\$1,614	91	23.44	1.25	17.00	320	RF, TM
	3600	254/6T	575 V	BC2N015-5	\$1,614	91	23.44	1.25	13.60	320	RF, TM
	1800	254/6T	230/460 V	BC4N015-4	\$1,626	92.4	23.44	1.25	17.80	320	RF, TM
	1800	254/6T	575 V	BC4N015-5	\$1,626	92.4	23.44	1.25	14.20	320	RF, TM
	1200	284/6T	230/460 V	BC6N015-4	\$2,381	91.7	26.34	1.25	21.30	478	RF, TM
	1200	284/6T	575 V	BC6N015-5	\$2,381	91.7	26.34	1.25	17.00	478	RF, TM
20	3600	254/6T	230/460 V	BC2N020-4	\$1,862	91	23.44	1.25	22.20	374	RF, TM
	3600	254/6T	575 V	BC2N020-5	\$1,862	91	23.44	1.25	17.80	374	RF, TM
	1800	254/6T	230/460 V	BC4N020-4	\$1,880	93	23.44	1.25	23.30	374	RF, TM
	1800	254/6T	575 V	BC4N020-5	\$1,880	93	23.44	1.25	18.60	374	RF, TM
	1200	284/6T	230/460 V	BC6N020-4	\$2,920	91.7	26.34	1.25	27.60	470	RF, TM
	1200	284/6T	575 V	BC6N020-5	\$2,920	91.7	26.34	1.25	22.10	470	RF, TM

Discount Category **55**

**W Series NEMA 143T-447T - TEFC**  
**Foot Mounted - Heavy Duty Cast Iron**



HP	RPM	Frame	Voltage	P/N	List	FL Eff.	C Dim. (IN)	S.F. 60 Hz	FL Amps	LBS	Notes
25	3600	284/6TS	230/460 V	BC2N025-4	\$2,217	91.7	24.97	1.25	27.20	478	RF, TM
	3600	284/6TS	575 V	BC2N025-5	\$2,217	91.7	24.97	1.25	21.80	478	RF, TM
	1800	284/6T	230/460 V	BC4N025-4	\$2,245	93.6	26.34	1.25	27.90	478	RF, TM
	1800	284/6T	575 V	BC4N025-5	\$2,245	93.6	26.34	1.25	22.30	478	RF, TM
	1200	324T	230/460 V	BC6N025-4	\$3,718	93	32.75	1.25	32.30	650	RF, TM
	1200	324T	575 V	BC6N025-5	\$3,718	93	32.75	1.25	25.80	650	RF, TM
30	3600	284/6TS	230/460 V	BC2N030-4	\$2,653	91.7	24.97	1.25	32.40	470	RF, TM
	3600	284/6TS	575 V	BC2N030-5	\$2,653	91.7	24.97	1.25	25.90	470	RF, TM
	1800	284/6T	230/460 V	BC4N030-4	\$2,709	93.6	26.34	1.25	33.90	470	RF, TM
	1800	284/6T	575 V	BC4N030-5	\$2,709	93.6	26.34	1.25	27.10	470	RF, TM
	1200	326T	230/460 V	BC6N030-4	\$4,302	93	32.75	1.25	39.30	750	RF, TM
	1200	326T	575 V	BC6N030-5	\$4,302	93	32.75	1.25	31.40	750	RF, TM
40	3600	324TS	230/460 V	BC2N040-4	\$3,467	93	31.25	1.25	46.00	650	RF, TM
	3600	324TS	575 V	BC2N040-5	\$3,467	93	31.25	1.25	36.80	650	RF, TM
	1800	324T	230/460 V	BC4N040-4	\$3,496	94.1	32.75	1.25	45.00	650	RF, TM
	1800	324T	575 V	BC4N040-5	\$3,496	94.1	32.75	1.25	36.00	650	RF, TM
	1200	364T	230/460 V	BC6N040-4	\$5,443	94.1	32.75	1.25	50.40	914	RF, TM
	1200	364T	575 V	BC6N040-5	\$5,443	94.1	32.75	1.25	40.30	914	RF, TM
50	3600	326TS	230/460 V	BC2N050-4	\$3,978	93.6	32.75	1.25	57.00	750	RF, TM
	3600	326TS	575 V	BC2N050-5	\$3,978	93.6	32.75	1.25	45.60	750	RF, TM
	1800	326T	230/460 V	BC4N050-4	\$4,118	94.5	34.25	1.25	58.00	750	RF, TM
	1800	326T	575 V	BC4N050-5	\$4,118	94.5	34.25	1.25	46.40	750	RF, TM
	1200	365T	230/460 V	BC6N050-4	\$6,290	94.1	38.50	1.25	63.80	1050	RF, TM
	1200	365T	575 V	BC6N050-5	\$6,290	94.1	38.50	1.25	51.00	1050	RF, TM
60	3600	364TS	230/460 V	BC2N060-4	\$5,547	93.6	34.25	1.25	66.00	914	RF, TM
	3600	364TS	575 V	BC2N060-5	\$5,547	93.6	34.25	1.25	52.80	914	RF, TM
	1800	364T	230/460 V	BC4N060-4	\$5,431	95	36.38	1.25	68.00	914	RF, TM
	1800	364T	575 V	BC4N060-5	\$5,431	95	36.38	1.25	54.40	914	RF, TM
	1200	404T	230/460 V	BC6N060-4	\$7,734	94.5	42.25	1.25	74.30	1384	RF, TM
	1200	404T	575 V	BC6N060-5	\$7,734	94.5	42.25	1.25	59.40	1384	RF, TM
75	3600	365TS	230/460 V	BC2N075-4	\$6,381	93.6	34.25	1.25	79.30	1050	RF, TM
	3600	365TS	575 V	BC2N075-5	\$6,381	93.6	34.25	1.25	63.40	1050	RF, TM
	1800	365T	230/460 V	BC4N075-4	\$7,023	95.4	38.50	1.25	81.30	1050	RF, TM
	1800	365T	575 V	BC4N075-5	\$7,023	95.4	38.50	1.25	65.00	1050	RF, TM
	1200	405T	230/460 V	BC6N075-4	\$8,654	94.5	42	1.25	90.60	1384	RF, TM
	1200	405T	575 V	BC6N075-5	\$8,654	94.5	42	1.25	72.50	1384	RF, TM
100	3600	405TS	230/460 V	BC2N100-4	\$8,637	94.1	41	1.25	110.00	1384	RF, TM
	3600	405TS	575 V	BC2N100-5	\$8,637	94.1	41	1.25	88.00	1384	RF, TM
	1800	405T	230/460 V	BC4N100-4	\$8,391	95.4	42	1.25	116.00	1384	RF, TM
	1800	405T	230/460 V	BC4N100-4-55	\$8,391	95.4	42	1.25	116.00	1384	RF, TM, RB
	1800	405T	575 V	BC4N100-5	\$8,391	95.4	42	1.25	92.80	1384	RF, TM
	1800	405T	575 V	BC4N100-5-55	\$8,391	95.4	42	1.25	92.80	1384	RF, TM, RB
	1200	444T	230/460 V	BC6N100-4	\$11,647	95	47	1.25	117.30	1512	RF, TM
	1200	444T	230/460 V	BC6N100-4-55	\$11,647	95	47	1.25	117.30	1512	RF, TM, RB
	1200	444T	575 V	BC6N100-5	\$11,647	95	47	1.25	93.80	1512	RF, TM
	1200	444T	575 V	BC6N100-5-55	\$11,647	95	47	1.25	93.80	1512	RF, TM, RB
125	3600	444TS	460 V	BC2N125-9	\$11,772	95	43.25	1.25	137.00	1512	RF, TM
	3600	444TS	575 V	BC2N125-5	\$11,772	95	43.25	1.25	109.60	1512	RF, TM
	1800	444T	460 V	BC4N125-9	\$12,242	95.4	47	1.25	144.00	1512	RF, TM
	1800	444T	460 V	BC4N125-9-55	\$12,242	95.4	47	1.25	144.00	1512	RF, TM, RB
	1800	444T	575 V	BC4N125-5	\$12,242	95.4	47	1.25	115.20	1512	RF, TM
	1800	444T	575 V	BC4N125-5-55	\$12,242	95.4	47	1.25	115.20	1512	RF, TM, RB

Discount Category **55**

Single Phase
Fractional 56/56C
NEMA Aluminum
NEMA Cast Iron
NEMA Explosion Proof
Close Coupled Pump Motor
NEMA 2 Speed Motor
NEMA Brake Motor

Single Phase

Fractional  
56/56C

NEMA  
Aluminum

NEMA  
Cast Iron

NEMA  
Explosion Proof

Close Coupled  
Pump Motor

NEMA  
2 Speed Motor

NEMA  
Brake Motor

HP	RPM	Frame	Voltage	P/N	List	FL Eff.	C Dim. (IN)	S.F. 60 Hz	FL Amps	LBS	Notes
125	1200	445T	460 V	BC6N125-9	\$13,804	95	49.63	1.25	148.40	1896	RF, TM
	1200	445T	460 V	BC6N125-9-55	\$13,804	95	49.63	1.25	148.40	1896	RF, TM, RB
	1200	445T	575 V	BC6N125-5	\$13,804	95	49.63	1.25	118.70	1896	RF, TM
	1200	445T	575 V	BC6N125-5-55	\$13,804	95	49.63	1.25	118.70	1896	RF, TM, RB
150	3600	445TS	460 V	BC2N150-9	\$13,001	95	45.88	1.25	161.00	1896	RF, TM
	3600	445TS	575 V	BC2N150-5	\$13,001	95	45.88	1.25	128.80	1896	RF, TM
	1800	445T	460 V	BC4N150-9	\$14,288	95.8	49.63	1.25	170.00	1896	RF, TM
	1800	445T	460 V	BC4N150-9-55	\$14,288	95.8	49.63	1.25	170.00	1896	RF, TM, RB
	1800	445T	575 V	BC4N150-5	\$14,288	95.8	49.63	1.25	136.00	1896	RF, TM
	1800	445T	575 V	BC4N150-5-55	\$14,288	95.8	49.63	1.25	136.00	1896	RF, TM, RB
	1200	447T	460 V	BC6N150-9	\$19,708	95.8	49.63	1.25	174.50	2300	RF, TM
	1200	447T	460 V	BC6N150-9-55	\$19,708	95.8	49.63	1.25	174.50	2300	RF, TM, RB
	1200	447T	575 V	BC6N150-5	\$19,708	95.8	49.63	1.25	139.60	2300	RF, TM
	1200	447T	575 V	BC6N150-5-55	\$19,708	95.8	49.63	1.25	139.60	2300	RF, TM, RB
200	3600	447TS	460 V	BC2N200-9	\$17,729	95.4	45.88	1.25	215.00	2300	RF, TM
	3600	447TS	575 V	BC2N200-5	\$17,729	95.4	45.88	1.25	172.00	2300	RF, TM
	1800	447T	460 V	BC4N200-9	\$18,997	96.2	49.63	1.25	221.00	2300	RF, TM
	1800	447T	460 V	BC4N200-9-55	\$18,997	96.2	49.63	1.25	221.00	2300	RF, TM, RB
	1800	447T	575 V	BC4N200-5	\$18,997	96.2	49.63	1.25	176.80	2300	RF, TM
	1800	447T	575 V	BC4N200-5-55	\$18,997	96.2	49.63	1.25	176.80	2300	RF, TM, RB

Discount Category **55**

**Larger Ratings Available By Special Order in Both Low and Medium Voltage Designs.  
Please Contact Brook Crompton For Pricing.**

**W Series NEMA 143TC-447TC - TEFC**  
**C-Face With Removable Feet - Heavy Duty Cast Iron**



HP	RPM	Frame	Voltage	P/N	List	FL Eff.	C Dim. (IN)	S.F. 60 Hz	FL Amps	LBS	Notes
1	1800	143/5TC	230/460 V	BC4N001-4C	\$447	85.5	14.18	1.25	1.50	68	RF
	1800	143/5TC	575 V	BC4N001-5C	\$447	85.5	14.18	1.25	1.20	68	RF
	1200	145TC	230/460 V	PC6N001-4C	\$523	82.5	14.00	1.25	1.70	70	RF
	1200	145TC	575 V	PC6N001-5C	\$523	82.5	14.00	1.25	1.40	70	RF
1.5	3600	143/5TC	230/460 V	BC2N1.5-4C	\$469	84	14.18	1.25	1.90	68	RF
	3600	143/5TC	575 V	BC2N1.5-5C	\$469	84	14.18	1.25	1.50	68	RF
	1800	143/5TC	230/460 V	BC4N1.5-4C	\$483	86.5	14.18	1.25	2.10	70	RF
	1800	143/5TC	575 V	BC4N1.5-5C	\$483	86.5	14.18	1.25	1.60	70	RF
	1200	182TC	230/460 V	PC6N1.5-4C	\$710	87.5	15.50	1.25	2.20	134	RF
	1200	182TC	575 V	PC6N1.5-5C	\$710	87.5	15.50	1.25	1.80	134	RF
2	3600	143/5TC	230/460 V	BC2N002-4C	\$515	85.5	14.18	1.25	2.60	70	RF
	3600	143/5TC	575 V	BC2N002-5C	\$515	85.5	14.18	1.25	2.00	70	RF
	1800	143/5TC	230/460 V	BC4N002-4C	\$514	86.5	14.18	1.25	2.90	70	RF
	1800	143/5TC	575 V	BC4N002-5C	\$514	86.5	14.18	1.25	2.30	70	RF
	1200	184TC	230/460 V	PC6N002-4C	\$754	88.5	16.50	1.25	3.00	146	RF
	1200	184TC	575 V	PC6N002-5C	\$754	88.5	16.50	1.25	2.40	146	RF
3	3600	182/4TC	230/460 V	BC2N003-4C	\$686	86.5	15.43	1.25	3.50	134	RF
	3600	182/4TC	575 V	BC2N003-5C	\$686	86.5	15.43	1.25	2.80	134	RF
	1800	182/4TC	230/460 V	BC4N003-4C	\$692	89.5	15.43	1.25	3.90	134	RF
	1800	182/4TC	575 V	BC4N003-5C	\$692	89.5	15.43	1.25	3.10	134	RF
	1200	213TC	230/460 V	PC6N003-4C	\$1,008	89.5	19.30	1.25	4.20	206	RF
	1200	213TC	575 V	PC6N003-5C	\$1,008	89.5	19.30	1.25	3.40	206	RF
5	3600	182/4TC	230/460 V	BC2N005-4C	\$746	88.5	16.27	1.25	5.90	146	RF
	3600	182/4TC	575 V	BC2N005-5C	\$746	88.5	16.27	1.25	4.70	146	RF
	1800	182/4TC	230/460 V	BC4N005-4C	\$699	89.5	16.27	1.25	6.50	146	RF
	1800	182/4TC	575 V	BC4N005-5C	\$699	89.5	16.27	1.25	5.00	146	RF
	1200	215TC	230/460 V	PC6N005-4C	\$1,282	89.5	18.78	1.25	7.10	232	RF
	1200	215TC	575 V	PC6N005-5C	\$1,282	89.5	18.78	1.25	5.70	232	RF
7.5	3600	213/5TC	230/460 V	BC2N7.5-4C	\$975	89.5	19.30	1.25	8.40	216	RF
	3600	213/5TC	575 V	BC2N7.5-5C	\$975	89.5	19.30	1.25	6.70	216	RF
	1800	213/5TC	230/460 V	BC4N7.5-4C	\$1,016	91.7	19.30	1.25	9.80	216	RF
	1800	213/5TC	575 V	BC4N7.5-5C	\$1,016	91.7	19.30	1.25	7.80	216	RF
	1200	254/6TC	230/460 V	BC6N7.5-4C	\$1,689	91	20.28	1.25	10.90	334	RF, TM
	1200	254/6TC	575 V	BC6N7.5-5C	\$1,689	91	23.44	1.25	8.70	334	RF, TM
10	3600	213/5TC	230/460 V	BC2N010-4C	\$1,198	90.2	19.30	1.25	11.60	232	RF
	3600	213/5TC	575 V	BC2N010-5C	\$1,198	90.2	19.30	1.25	9.30	232	RF
	1800	213/5TC	230/460 V	BC4N010-4C	\$1,215	91.7	19.30	1.25	13.20	232	RF
	1800	213/5TC	575 V	BC4N010-5C	\$1,215	91.7	19.30	1.25	10.50	232	RF
	1200	254/6TC	230/460 V	BC6N010-4C	\$2,066	91	23.44	1.25	14.30	386	RF, TM
	1200	254/6TC	575 V	BC6N010-5C	\$2,066	91	23.44	1.25	11.40	386	RF, TM
15	3600	254/6TC	230/460 V	BC2N015-4C	\$1,754	91	23.44	1.25	17.00	334	RF, TM
	3600	254/6TC	575 V	BC2N015-5C	\$1,754	91	23.44	1.25	13.60	334	RF, TM
	1800	254/6TC	230/460 V	BC4N015-4C	\$1,766	92.4	23.44	1.25	17.80	334	RF, TM
	1800	254/6TC	575 V	BC4N015-5C	\$1,766	92.4	23.44	1.25	14.20	334	RF, TM
	1200	284/6TC	230/460 V	BC6N015-4C	\$2,612	91.7	26.34	1.25	21.30	492	RF, TM
	1200	284/6TC	575 V	BC6N015-5C	\$2,612	91.7	26.34	1.25	17.00	492	RF, TM
20	3600	254/6TC	230/460 V	BC2N020-4C	\$2,002	91	23.44	1.25	22.20	388	RF, TM
	3600	254/6TC	575 V	BC2N020-5C	\$2,002	91	23.44	1.25	17.80	388	RF, TM
	1800	254/6TC	230/460 V	BC4N020-4C	\$2,020	93	23.44	1.25	23.30	388	RF, TM
	1800	254/6TC	575 V	BC4N020-5C	\$2,020	93	23.44	1.25	18.60	388	RF, TM
	1200	284/6TC	230/460 V	BC6N020-4C	\$3,151	91.7	26.34	1.25	27.60	484	RF, TM
	1200	284/6TC	575 V	BC6N020-5C	\$3,151	91.7	26.34	1.25	22.10	484	RF, TM

Discount Category **55**

Single Phase

Fractional 56/56C

NEMA Aluminum

NEMA Cast Iron

NEMA Explosion Proof

Close Coupled Pump Motor

NEMA 2 Speed Motor

NEMA Brake Motor

**W Series NEMA 143TC-447TC - TEFC  
C-Face With Removable Feet - Heavy Duty Cast Iron**

- Single Phase
- Fractional 56/56C
- NEMA Aluminum
- NEMA Cast Iron
- NEMA Explosion Proof
- Close Coupled Pump Motor
- NEMA 2 Speed Motor
- NEMA Brake Motor

HP	RPM	Frame	Voltage	P/N	List	FL Eff.	C Dim. (IN)	S.F. 60 Hz	FL Amps	LBS	Notes
25	3600	284/6TSC	230/460 V	BC2N025-4C	\$2,437	91.7	24.97	1.25	27.20	492	RF, TM
	3600	284/6TSC	575 V	BC2N025-5C	\$2,437	91.7	24.97	1.25	21.80	492	RF, TM
	1800	284/6TC	230/460 V	BC4N025-4C	\$2,465	93.6	26.34	1.25	27.90	492	RF, TM
	1800	284/6TC	575 V	BC4N025-5C	\$2,465	93.6	26.34	1.25	22.30	492	RF, TM
	1200	324TC	230/460 V	BC6N025-4C	\$3,991	93	32.75	1.25	32.30	675	RF, TM
	1200	324TC	575 V	BC6N025-5C	\$3,991	93	32.75	1.25	25.80	675	RF, TM
30	3600	284/6TSC	230/460 V	BC2N030-4C	\$2,873	91.7	24.97	1.25	32.40	484	RF, TM
	3600	284/6TSC	575 V	BC2N030-5C	\$2,873	91.7	24.97	1.25	25.90	484	RF, TM
	1800	284/6TC	230/460 V	BC4N030-4C	\$2,929	93.6	26.34	1.25	33.90	484	RF, TM
	1800	284/6TC	575 V	BC4N030-5C	\$2,929	93.6	26.34	1.25	27.10	484	RF, TM
	1200	326TC	230/460 V	BC6N030-4C	\$4,575	93	32.75	1.25	39.30	775	RF, TM
	1200	326TC	575 V	BC6N030-5C	\$4,575	93	32.75	1.25	31.40	775	RF, TM
40	3600	324TSC	230/460 V	BC2N040-4C	\$3,727	93	31.25	1.25	46.00	675	RF, TM
	3600	324TSC	575 V	BC2N040-5C	\$3,727	93	31.25	1.25	36.80	675	RF, TM
	1800	324TC	230/460 V	BC4N040-4C	\$3,756	94.1	32.75	1.25	45.00	675	RF, TM
	1800	324TC	575 V	BC4N040-5C	\$3,756	94.1	32.75	1.25	36.00	675	RF, TM
	1200	364TC	230/460 V	BC6N040-4C	\$5,844	94.1	32.75	1.25	50.40	939	RF, TM
	1200	364TC	575 V	BC6N040-5C	\$5,844	94.1	32.75	1.25	40.30	939	RF, TM
50	3600	326TSC	230/460 V	BC2N050-4C	\$4,238	93.6	32.75	1.25	57.00	775	RF, TM
	3600	326TSC	575 V	BC2N050-5C	\$4,238	93.6	32.75	1.25	45.60	775	RF, TM
	1800	326TC	230/460 V	BC4N050-4C	\$4,378	94.5	34.25	1.25	58.00	775	RF, TM
	1800	326TC	575 V	BC4N050-5C	\$4,378	94.5	34.25	1.25	46.40	775	RF, TM
	1200	365TC	230/460 V	BC6N050-4C	\$6,692	94.1	38.50	1.25	63.80	1075	RF, TM
	1200	365TC	575 V	BC6N050-5C	\$6,692	94.1	38.50	1.25	51.00	1075	RF, TM
60	3600	364TSC	230/460 V	BC2N060-4C	\$5,937	93.6	34.25	1.25	66.00	939	RF, TM
	3600	364TSC	575 V	BC2N060-5C	\$5,937	93.6	34.25	1.25	52.80	939	RF, TM
	1800	364TC	230/460 V	BC4N060-4C	\$5,821	95	36.38	1.25	68.00	939	RF, TM
	1800	364TC	575 V	BC4N060-5C	\$5,821	95	36.38	1.25	54.40	939	RF, TM
	1200	404TC	230/460 V	BC6N060-4C	\$8,373	94.5	42.25	1.25	74.30	1439	RF, TM
	1200	404TC	575 V	BC6N060-5C	\$8,373	94.5	42.25	1.25	59.40	1439	RF, TM
75	3600	365TSC	230/460 V	BC2N075-4C	\$6,771	93.6	34.25	1.25	79.30	1075	RF, TM
	3600	365TSC	575 V	BC2N075-5C	\$6,771	93.6	34.25	1.25	63.40	1075	RF, TM
	1800	365TC	230/460 V	BC4N075-4C	\$7,413	95.4	38.50	1.25	81.30	1075	RF, TM
	1800	365TC	575 V	BC4N075-5C	\$7,413	95.4	38.50	1.25	65.00	1075	RF, TM
	1200	405TC	230/460 V	BC6N075-4C	\$9,293	94.5	42	1.25	90.60	1439	RF, TM
	1200	405TC	575 V	BC6N075-5C	\$9,293	94.5	42	1.25	72.50	1439	RF, TM
100	3600	405TSC	230/460 V	BC2N100-4C	\$9,257	94.1	41	1.25	110.00	1439	RF, TM
	3600	405TSC	575 V	BC2N100-5C	\$9,257	94.1	41	1.25	88.00	1439	RF, TM
	1800	405TC	230/460 V	BC4N100-4C	\$9,011	95.4	42	1.25	116.00	1439	RF, TM
	1800	405TC	575 V	BC4N100-5C	\$9,011	95.4	42	1.25	92.80	1439	RF, TM
	1200	444TC	230/460 V	BC6N100-4C	\$12,821	95	47	1.25	117.30	1567	RF, TM
	1200	444TC	575 V	BC6N100-5C	\$12,821	95	47	1.25	93.80	1567	RF, TM
125	3600	444TSC	460 V	BC2N125-9C	\$12,912	95	43.25	1.25	137.00	1567	RF, TM
	3600	444TSC	575 V	BC2N125-5C	\$12,912	95	43.25	1.25	109.60	1567	RF, TM
	1800	444TC	460 V	BC4N125-9C	\$13,382	95.4	47	1.25	144.00	1567	RF, TM
	1800	444TC	575 V	BC4N125-5C	\$13,382	95.4	47	1.25	115.20	1567	RF, TM
	1200	445TC	460 V	BC6N125-9C	\$14,607	95	49.63	1.25	148.40	1951	RF, TM
	1200	445TC	575 V	BC6N125-5C	\$14,607	95	49.63	1.25	118.70	1951	RF, TM

Discount Category **55**

**W Series NEMA 143TC-447TC - TEFC  
C-Face With Removable Feet - Heavy Duty Cast Iron**



HP	RPM	Frame	Voltage	P/N	List	FL Eff.	C Dim. (IN)	S.F. 60 Hz	FL Amps	LBS	Notes
150	3600	445TSC	460 V	BC2N150-9C	\$14,141	95	45.88	1.25	161.00	1951	RF, TM
	3600	445TSC	575 V	BC2N150-5C	\$14,141	95	45.88	1.25	128.80	1951	RF, TM
	1800	445TC	460 V	BC4N150-9C	\$15,428	95.8	49.63	1.25	170.00	1951	RF, TM
	1800	445TC	575 V	BC4N150-5C	\$15,428	95.8	49.63	1.25	136.00	1951	RF, TM
	1200	447TC	460 V	BC6N150-9C	\$20,882	95.8	49.63	1.25	174.50	2355	RF, TM
	1200	447TC	575 V	BC6N150-5C	\$20,882	95.8	49.63	1.25	139.60	2355	RF, TM
200	3600	447TSC	460 V	BC2N200-9C	\$18,869	95.4	45.88	1.25	215.00	2355	RF, TM
	3600	447TSC	575 V	BC2N200-5C	\$18,869	95.4	45.88	1.25	172.00	2355	RF, TM
	1800	447TC	460 V	BC4N200-9C	\$20,137	96.2	49.63	1.25	221.00	2355	RF, TM
	1800	447TC	575 V	BC4N200-5C	\$20,137	96.2	49.63	1.25	176.80	2355	RF, TM

Discount Category **55**

Larger Ratings Available By Special Order in Both Low and Medium Voltage Designs.  
Please Contact Brook Crompton For Pricing.

- Single Phase
- Fractional 56/56C
- NEMA Aluminum
- NEMA Cast Iron
- NEMA Explosion Proof
- Close Coupled Pump Motor
- NEMA 2 Speed Motor
- NEMA Brake Motor



**W Series NEMA 143TD-447TD - TEFC  
D-Flange With Removable Feet - Heavy Duty Cast Iron**

Single Phase

Fractional 56/56C

NEMA Aluminum

NEMA Cast Iron

NEMA Explosion Proof

Close Coupled Pump Motor

NEMA 2 Speed Motor

NEMA Brake Motor

HP	RPM	Frame	Voltage	P/N	List	FL Eff.	C Dim. (IN)	S.F. 60 Hz	FL Amps	LBS	Notes
1	1800	143/5TD	230/460 V	BC4N001-4D	\$469	85.5	14.18	1.25	1.50	68	RF
	1800	143/5TD	575 V	BC4N001-5D	\$469	85.5	14.18	1.25	1.20	68	RF
	1200	145TD	230/460 V	PC6N001-4D	\$523	82.5	14.00	1.25	1.70	70	RF
	1200	145TD	575 V	PC6N001-5D	\$523	82.5	14.00	1.25	1.40	70	RF
1.5	3600	143/5TD	230/460 V	BC2N1.5-4D	\$492	84	14.18	1.25	1.90	68	RF
	3600	143/5TD	575 V	BC2N1.5-5D	\$492	84	14.18	1.25	1.50	68	RF
	1800	143/5TD	230/460 V	BC4N1.5-4D	\$507	86.5	14.18	1.25	2.10	70	RF
	1800	143/5TD	575 V	BC4N1.5-5D	\$507	86.5	14.18	1.25	1.60	70	RF
	1200	182TD	230/460 V	PC6N1.5-4D	\$710	87.5	15.50	1.25	2.20	134	RF
	1200	182TD	575 V	PC6N1.5-5D	\$710	87.5	15.50	1.25	1.80	134	RF
2	3600	143/5TD	230/460 V	BC2N002-4D	\$541	85.5	14.18	1.25	2.60	70	RF
	3600	143/5TD	575 V	BC2N002-5D	\$541	85.5	14.18	1.25	2.00	70	RF
	1800	143/5TD	230/460 V	BC4N002-4D	\$540	86.5	14.18	1.25	2.90	70	RF
	1800	143/5TD	575 V	BC4N002-5D	\$540	86.5	14.18	1.25	2.30	70	RF
	1200	184TD	230/460 V	PC6N002-4D	\$754	88.5	16.50	1.25	3.00	146	RF
	1200	184TD	575 V	PC6N002-5D	\$754	88.5	16.50	1.25	2.40	146	RF
3	3600	182/4TD	230/460 V	BC2N003-4D	\$720	86.5	15.43	1.25	3.50	134	RF
	3600	182/4TD	575 V	BC2N003-5D	\$720	86.5	15.43	1.25	2.80	134	RF
	1800	182/4TD	230/460 V	BC4N003-4D	\$727	89.5	15.43	1.25	3.90	134	RF
	1800	182/4TD	575 V	BC4N003-5D	\$727	89.5	15.43	1.25	3.10	134	RF
	1200	213TD	230/460 V	PC6N003-4D	\$1,008	89.5	19.30	1.25	4.20	206	RF
	1200	213TD	575 V	PC6N003-5D	\$1,008	89.5	19.30	1.25	3.40	206	RF
5	3600	182/4TD	230/460 V	BC2N005-4D	\$783	88.5	16.27	1.25	5.90	146	RF
	3600	182/4TD	575 V	BC2N005-5D	\$783	88.5	16.27	1.25	4.70	146	RF
	1800	182/4TD	230/460 V	BC4N005-4D	\$734	89.5	16.27	1.25	6.50	146	RF
	1800	182/4TD	575 V	BC4N005-5D	\$734	89.5	16.27	1.25	5.00	146	RF
	1200	215TD	230/460 V	PC6N005-4D	\$1,282	89.5	18.78	1.25	7.10	232	RF
	1200	215TD	575 V	PC6N005-5D	\$1,282	89.5	18.78	1.25	5.70	232	RF
7.5	3600	213/5TD	230/460 V	BC2N7.5-4D	\$1,024	89.5	19.30	1.25	8.40	216	RF
	3600	213/5TD	575 V	BC2N7.5-5D	\$1,024	89.5	19.30	1.25	6.70	216	RF
	1800	213/5TD	230/460 V	BC4N7.5-4D	\$1,067	91.7	19.30	1.25	9.80	216	RF
	1800	213/5TD	575 V	BC4N7.5-5D	\$1,067	91.7	19.30	1.25	7.80	216	RF
	1200	254/6TD	230/460 V	BC6N7.5-4D	\$1,689	91	20.28	1.25	10.90	334	RF, TM
	1200	254/6TD	575 V	BC6N7.5-5D	\$1,689	91	23.44	1.25	8.70	334	RF, TM
10	3600	213/5TD	230/460 V	BC2N010-4D	\$1,258	90.2	19.30	1.25	11.60	232	RF
	3600	213/5TD	575 V	BC2N010-5D	\$1,258	90.2	19.30	1.25	9.30	232	RF
	1800	213/5TD	230/460 V	BC4N010-4D	\$1,276	91.7	19.30	1.25	13.20	232	RF
	1800	213/5TD	575 V	BC4N010-5D	\$1,276	91.7	19.30	1.25	10.50	232	RF
	1200	254/6TD	230/460 V	BC6N010-4D	\$2,066	91	23.44	1.25	14.30	386	RF, TM
	1200	254/6TD	575 V	BC6N010-5D	\$2,066	91	23.44	1.25	11.40	386	RF, TM
15	3600	254/6TD	230/460 V	BC2N015-4D	\$1,842	91	23.44	1.25	17.00	334	RF, TM
	3600	254/6TD	575 V	BC2N015-5D	\$1,842	91	23.44	1.25	13.60	334	RF, TM
	1800	254/6TD	230/460 V	BC4N015-4D	\$1,854	92.4	23.44	1.25	17.80	334	RF, TM
	1800	254/6TD	575 V	BC4N015-5D	\$1,854	92.4	23.44	1.25	14.20	334	RF, TM
	1200	284/6TD	230/460 V	BC6N015-4D	\$2,612	91.7	26.34	1.25	21.30	492	RF, TM
	1200	284/6TD	575 V	BC6N015-5D	\$2,612	91.7	26.34	1.25	17.00	492	RF, TM
20	3600	254/6TD	230/460 V	BC2N020-4D	\$2,102	91	23.44	1.25	22.20	388	RF, TM
	3600	254/6TD	575 V	BC2N020-5D	\$2,102	91	23.44	1.25	17.80	388	RF, TM
	1800	254/6TD	230/460 V	BC4N020-4D	\$2,121	93	23.44	1.25	23.30	388	RF, TM
	1800	254/6TD	575 V	BC4N020-5D	\$2,121	93	23.44	1.25	18.60	388	RF, TM
	1200	284/6TD	230/460 V	BC6N020-4D	\$3,151	91.7	26.34	1.25	27.60	484	RF, TM
	1200	284/6TD	575 V	BC6N020-5D	\$3,151	91.7	26.34	1.25	22.10	484	RF, TM

Discount Category **55**

**W Series NEMA 143TD-447TD - TEFC**  
**D-Flange With Removable Feet - Heavy Duty Cast Iron**



HP	RPM	Frame	Voltage	P/N	List	FL Eff.	C Dim. (IN)	S.F. 60 Hz	FL Amps	LBS	Notes
25	3600	284/6TSD	230/460 V	BC2N025-4D	\$2,559	91.7	24.97	1.25	27.20	492	RF, TM
	3600	284/6TSD	575 V	BC2N025-5D	\$2,559	91.7	24.97	1.25	21.80	492	RF, TM
	1800	284/6TD	230/460 V	BC4N025-4D	\$2,588	93.6	26.34	1.25	27.90	492	RF, TM
	1800	284/6TD	575 V	BC4N025-5D	\$2,588	93.6	26.34	1.25	22.30	492	RF, TM
	1200	324TD	230/460 V	BC6N025-4D	\$3,991	93	32.75	1.25	32.30	675	RF, TM
	1200	324TD	575 V	BC6N025-5D	\$3,991	93	32.75	1.25	25.80	675	RF, TM
30	3600	284/6TSD	230/460 V	BC2N030-4D	\$3,017	91.7	24.97	1.25	32.40	484	RF, TM
	3600	284/6TSD	575 V	BC2N030-5D	\$3,017	91.7	24.97	1.25	25.90	484	RF, TM
	1800	284/6TD	230/460 V	BC4N030-4D	\$3,075	93.6	26.34	1.25	33.90	484	RF, TM
	1800	284/6TD	575 V	BC4N030-5D	\$3,075	93.6	26.34	1.25	27.10	484	RF, TM
	1200	326TD	230/460 V	BC6N030-4D	\$4,575	93	32.75	1.25	39.30	775	RF, TM
	1200	326TD	575 V	BC6N030-5D	\$4,575	93	32.75	1.25	31.40	775	RF, TM
40	3600	324TSD	230/460 V	BC2N040-4D	\$3,913	93	31.25	1.25	46.00	675	RF, TM
	3600	324TSD	575 V	BC2N040-5D	\$3,913	93	31.25	1.25	36.80	675	RF, TM
	1800	324TD	230/460 V	BC4N040-4D	\$3,944	94.1	32.75	1.25	45.00	675	RF, TM
	1800	324TD	575 V	BC4N040-5D	\$3,944	94.1	32.75	1.25	36.00	675	RF, TM
	1200	364TD	230/460 V	BC6N040-4D	\$5,958	94.1	32.75	1.25	50.40	939	RF, TM
	1200	364TD	575 V	BC6N040-5D	\$5,958	94.1	32.75	1.25	40.30	939	RF, TM
50	3600	326TSD	230/460 V	BC2N050-4D	\$4,450	93.6	32.75	1.25	57.00	775	RF, TM
	3600	326TSD	575 V	BC2N050-5D	\$4,450	93.6	32.75	1.25	45.60	775	RF, TM
	1800	326TD	230/460 V	BC4N050-4D	\$4,597	94.5	34.25	1.25	58.00	775	RF, TM
	1800	326TD	575 V	BC4N050-5D	\$4,597	94.5	34.25	1.25	46.40	775	RF, TM
	1200	365TD	230/460 V	BC6N050-4D	\$6,822	94.1	38.50	1.25	63.80	1075	RF, TM
	1200	365TD	575 V	BC6N050-5D	\$6,822	94.1	38.50	1.25	51.00	1075	RF, TM
60	3600	364TSD	230/460 V	BC2N060-4D	\$6,234	93.6	34.25	1.25	66.00	939	RF, TM
	3600	364TSD	575 V	BC2N060-5D	\$6,234	93.6	34.25	1.25	52.80	939	RF, TM
	1800	364TD	230/460 V	BC4N060-4D	\$6,112	95	36.38	1.25	68.00	939	RF, TM
	1800	364TD	575 V	BC4N060-5D	\$6,112	95	36.38	1.25	54.40	939	RF, TM
	1200	404TD	230/460 V	BC6N060-4D	\$8,535	94.5	42.25	1.25	74.30	1439	RF, TM
	1200	404TD	575 V	BC6N060-5D	\$8,535	94.5	42.25	1.25	59.40	1439	RF, TM
75	3600	365TSD	230/460 V	BC2N075-4D	\$7,110	93.6	34.25	1.25	79.30	1075	RF, TM
	3600	365TSD	575 V	BC2N075-5D	\$7,110	93.6	34.25	1.25	63.40	1075	RF, TM
	1800	365TD	230/460 V	BC4N075-4D	\$7,784	95.4	38.50	1.25	81.30	1075	RF, TM
	1800	365TD	575 V	BC4N075-5D	\$7,784	95.4	38.50	1.25	65.00	1075	RF, TM
	1200	405TD	230/460 V	BC6N075-4D	\$9,473	94.5	42	1.25	90.60	1439	RF, TM
	1200	405TD	575 V	BC6N075-5D	\$9,473	94.5	42	1.25	72.50	1439	RF, TM
100	3600	405TSD	230/460 V	BC2N100-4D	\$9,720	94.1	41	1.25	110.00	1439	RF, TM
	3600	405TSD	575 V	BC2N100-5D	\$9,720	94.1	41	1.25	88.00	1439	RF, TM
	1800	405TD	230/460 V	BC4N100-4D	\$9,462	95.4	42	1.25	116.00	1439	RF, TM
	1800	405TD	575 V	BC4N100-5D	\$9,462	95.4	42	1.25	92.80	1439	RF, TM
	1200	444TD	230/460 V	BC6N100-4D	\$13,070	95	47	1.25	117.30	1567	RF, TM
	1200	444TD	575 V	BC6N100-5D	\$13,070	95	47	1.25	93.80	1567	RF, TM
125	3600	444TSD	460 V	BC2N125-9D	\$13,558	95	43.25	1.25	137.00	1567	RF, TM
	3600	444TSD	575 V	BC2N125-5D	\$13,558	95	43.25	1.25	109.60	1567	RF, TM
	1800	444TD	460 V	BC4N125-9D	\$14,051	95.4	47	1.25	144.00	1567	RF, TM
	1800	444TD	575 V	BC4N125-5D	\$14,051	95.4	47	1.25	115.20	1567	RF, TM
	1200	445TD	460 V	BC6N125-9D	\$14,891	95	49.63	1.25	148.40	1951	RF, TM
	1200	445TD	575 V	BC6N125-5D	\$14,891	95	49.63	1.25	118.70	1951	RF, TM

Discount Category **55**

Single Phase
Fractional 56/56C
NEMA Aluminum
NEMA Cast Iron
NEMA Explosion Proof
Close Coupled Pump Motor
NEMA 2 Speed Motor
NEMA Brake Motor

Single Phase

Fractional 56/56C

NEMA Aluminum

NEMA Cast Iron

NEMA Explosion Proof

Close Coupled Pump Motor

NEMA 2 Speed Motor

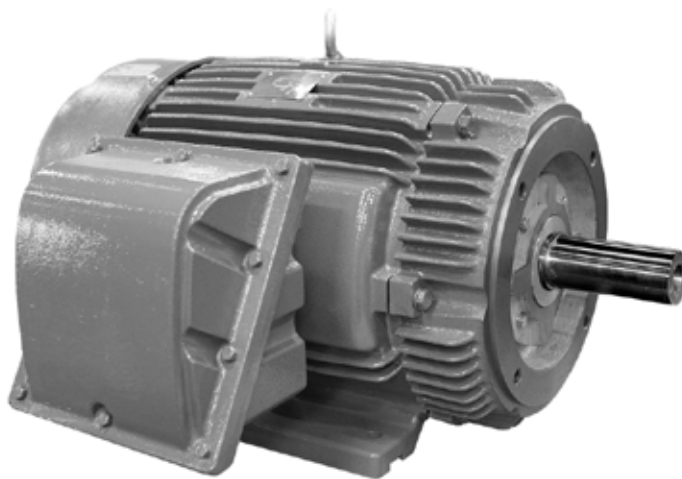
NEMA Brake Motor

HP	RPM	Frame	Voltage	P/N	List	FL Eff.	C Dim. (IN)	S.F. 60 Hz	FL Amps	LBS	Notes
150	3600	445TSD	460 V	BC2N150-9D	\$14,848	95	45.88	1.25	161.00	1951	RF, TM
	3600	445TSD	575 V	BC2N150-5D	\$14,848	95	45.88	1.25	128.80	1951	RF, TM
	1800	445TD	460 V	BC4N150-9D	\$16,199	95.8	49.63	1.25	170.00	1951	RF, TM
	1800	445TD	575 V	BC4N150-5D	\$16,199	95.8	49.63	1.25	136.00	1951	RF, TM
	1200	447TD	460 V	BC6N150-9D	\$21,288	95.8	49.63	1.25	174.50	2355	RF, TM
	1200	447TD	575 V	BC6N150-5D	\$21,288	95.8	49.63	1.25	139.60	2355	RF, TM
200	3600	447TSD	460 V	BC2N200-9D	\$19,812	95.4	45.88	1.25	215.00	2355	RF, TM
	3600	447TSD	575 V	BC2N200-5D	\$19,812	95.4	45.88	1.25	172.00	2355	RF, TM
	1800	447TD	460 V	BC4N200-9D	\$21,144	96.2	49.63	1.25	221.00	2355	RF, TM
	1800	447TD	575 V	BC4N200-5D	\$21,144	96.2	49.63	1.25	176.80	2355	RF, TM

Discount Category **55**

Larger Ratings Available By Special Order in Both Low and Medium Voltage Designs. Please Contact Brook Crompton For Pricing.

**Explosion Proof NEMA 143T-445T - TEFC  
Cast Iron Construction**



Premium Efficient Three Phase NEMA Explosion Proof Motors. Foot Mount or C-Face Mount, Totally Enclosed Fan Cooled. Features Include:

- NEMA MG1 part 31 inverter duty UL & CSA certified 20:1 variable torque
- UL certified 5:1 constant torque
- CSA certified 10:1 constant torque
- UL/CSA approved Div I, Class I, Group C & D: 143T - 256T; Div I, Class I, Group D: 284T & above
- UL/CSA approved Div I, Class II Groups E, F & G. T3B temperature code
- Service factor 1.15 sine wave power
- IP55 degree of protection
- NEMA design B
- Class F insulation
- Dual rated 60/50 Hz
- Normally closed thermostats— One per phase
- Sealed ball bearings 140 - 280T
- Regreasable bearings 320T and above
- Warranty: 3 years

Single Phase

Fractional  
5/6, 5/6C

NEMA  
Aluminum

NEMA  
Cast Iron

NEMA  
Explosion Proof

Close Coupled  
Pump Motor

NEMA  
2 Speed Motor

NEMA  
Brake Motor

**Notes:**  
TH - Thermostats

Single Phase

Fractional  
56/56C

NEMA  
Aluminum

NEMA  
Cast Iron

NEMA  
Explosion Proof

Close Coupled  
Pump Motor

NEMA  
2 Speed Motor

NEMA  
Brake Motor

HP	RPM	Frame	Voltage	P/N	List	FL Eff.	C Dim. (IN)	S.F. 60 Hz	FL Amps	LBS	Notes
1	1800	143T	230/460 V	PX4N001-2	\$682	85.5	12.55	1.15	1.60	62	TH
	1800	143T	575 V	PX4N001-5	\$682	85.5	12.55	1.15	1.20	62	TH
	1200	145T	230/460 V	PX6N001-2	\$757	82.5	13.54	1.15	1.70	70	TH
	1200	145T	575 V	PX6N001-5	\$757	82.5	13.54	1.15	1.30	70	TH
1.5	3600	143T	230/460 V	PX2N1.5-2	\$736	84	12.55	1.15	1.90	62	TH
	3600	143T	575 V	PX2N1.5-5	\$736	84	12.55	1.15	1.50	62	TH
	1800	145T	230/460 V	PX4N1.5-2	\$736	86.5	13.54	1.15	2.10	70	TH
	1800	145T	575 V	PX4N1.5-5	\$736	86.5	13.54	1.15	1.70	70	TH
	1200	182T	230/460 V	PX6N1.5-2	\$893	87.5	14.89	1.15	2.50	108	TH
	1200	182T	575 V	PX6N1.5-5	\$893	87.5	14.89	1.15	2.00	108	TH
2	3600	145T	230/460 V	PX2N002-2	\$786	85.5	13.54	1.15	2.50	70	TH
	3600	145T	575 V	PX2N002-5	\$786	85.5	13.54	1.15	2.00	70	TH
	1800	145T	230/460 V	PX4N002-2	\$794	86.5	13.54	1.15	2.70	70	TH
	1800	145T	575 V	PX4N002-5	\$794	86.5	13.54	1.15	2.20	70	TH
	1200	184T	230/460 V	PX6N002-2	\$1,029	88.5	15.91	1.15	3.00	120	TH
	1200	184T	575 V	PX6N002-5	\$1,029	88.5	15.91	1.15	2.40	120	TH
3	3600	182T	230/460 V	PX2N003-2	\$917	87.5	14.89	1.15	3.50	108	TH
	3600	182T	575 V	PX2N003-5	\$917	87.5	14.89	1.15	2.80	108	TH
	1800	182T	230/460 V	PX4N003-2	\$963	89.5	14.89	1.15	3.80	108	TH
	1800	182T	575 V	PX4N003-5	\$963	89.5	14.89	1.15	3.10	108	TH
	1200	213T	230/460 V	PX6N003-2	\$1,472	89.5	18.26	1.15	3.90	187	TH
	1200	213T	575 V	PX6N003-5	\$1,472	89.5	18.26	1.15	3.10	187	TH
5	3600	184T	230/460 V	PX2N005-2	\$1,142	88.5	15.91	1.15	5.80	120	TH
	3600	184T	575 V	PX2N005-5	\$1,142	88.5	15.91	1.15	4.60	120	TH
	1800	184T	230/460 V	PX4N005-2	\$1,142	89.5	15.91	1.15	6.20	120	TH
	1800	184T	575 V	PX4N005-5	\$1,142	89.5	15.91	1.15	4.90	120	TH
	1200	215T	230/460 V	PX6N005-2	\$1,716	90.2	19.76	1.15	6.40	211	TH
	1200	215T	575 V	PX6N005-5	\$1,716	90.2	19.76	1.15	5.10	211	TH
7.5	3600	213T	230/460 V	PX2N7.5-2	\$1,418	89.5	18.26	1.15	9.00	187	TH
	3600	213T	575 V	PX2N7.5-5	\$1,418	89.5	18.26	1.15	7.20	187	TH
	1800	213T	230/460 V	PX4N7.5-2	\$1,495	91.7	18.26	1.15	8.80	187	TH
	1800	213T	575 V	PX4N7.5-5	\$1,495	91.7	18.26	1.15	7.00	187	TH
	1200	254T	230/460 V	PX6N7.5-2	\$2,047	91	23.78	1.15	9.40	330	TH
	1200	254T	575 V	PX6N7.5-5	\$2,047	91	23.78	1.15	7.50	330	TH
10	3600	215T	230/460 V	PX2N010-2	\$1,674	90.2	19.76	1.15	11.90	211	TH
	3600	215T	575 V	PX2N010-5	\$1,674	90.2	19.76	1.15	9.50	211	TH
	1800	215T	230/460 V	PX4N010-2	\$1,716	91.7	19.76	1.15	11.70	211	TH
	1800	215T	575 V	PX4N010-5	\$1,716	91.7	19.76	1.15	9.30	211	TH
	1200	256T	230/460 V	PX6N010-2	\$2,452	91	25.52	1.15	12.60	376	TH
	1200	256T	575 V	PX6N010-5	\$2,452	91	25.52	1.15	10.10	376	TH
15	3600	254T	230/460 V	PX2N015-2	\$2,188	91	23.78	1.15	16.80	330	TH
	3600	254T	575 V	PX2N015-5	\$2,188	91	23.78	1.15	13.40	330	TH
	1800	254T	230/460 V	PX4N015-2	\$2,188	92.4	23.78	1.15	17.90	330	TH
	1800	254T	575 V	PX4N015-5	\$2,188	92.4	23.78	1.15	14.30	330	TH
	1200	284T	230/460 V	PX6N015-2	\$3,101	91.7	26.80	1.15	18.50	488	TH
	1200	284T	575 V	PX6N015-5	\$3,101	91.7	26.80	1.15	14.70	488	TH
20	3600	256T	230/460 V	PX2N020-2	\$2,528	91	25.52	1.15	22.40	376	TH
	3600	256T	575 V	PX2N020-5	\$2,528	91	25.52	1.15	17.80	376	TH
	1800	256T	230/460 V	PX4N020-2	\$2,579	93	25.52	1.15	23.60	376	TH
	1800	256T	575 V	PX4N020-5	\$2,579	93	25.52	1.15	18.80	376	TH
	1200	286T	230/460 V	PX6N020-2	\$3,721	91.7	28.30	1.15	24.30	530	TH
	1200	286T	575 V	PX6N020-5	\$3,721	91.7	28.30	1.15	19.40	530	TH

Discount Category **20**

# Explosion Proof NEMA 143T-445T - TEFC Foot Mounted - Cast Iron

HP	RPM	Frame	Voltage	P/N	List	FL Eff.	C Dim. (IN)	S.F. 60 Hz	FL Amps	LBS	Notes
25	3600	284TS	230/460 V	PX2N025-2	\$3,175	91.7	25.43	1.15	27.70	488	TH
	3600	284TS	575 V	PX2N025-5	\$3,175	91.7	25.43	1.15	22.20	488	TH
	1800	284T	230/460 V	PX4N025-2	\$3,201	93.6	26.93	1.15	29.40	488	TH
	1800	284T	575 V	PX4N025-5	\$3,201	93.6	26.93	1.15	23.50	488	TH
	1200	324T	230/460 V	PX6N025-2	\$4,949	93	29.93	1.15	30.30	708	TH
	1200	324T	575 V	PX6N025-5	\$4,949	93	29.93	1.15	24.20	708	TH
30	3600	286TS	230/460 V	PX2N030-2	\$3,661	92.4	26.93	1.15	33.00	530	TH
	3600	286TS	575 V	PX2N030-5	\$3,661	92.4	26.93	1.15	26.40	530	TH
	1800	286T	230/460 V	PX4N030-2	\$3,717	93.6	28.30	1.15	35.10	488	TH
	1800	286T	575 V	PX4N030-5	\$3,717	93.6	28.30	1.15	28.00	488	TH
	1200	326T	230/460 V	PX6N030-2	\$5,844	93	31.42	1.15	36.40	781	TH
	1200	326T	575 V	PX6N030-5	\$5,844	93	31.42	1.15	29.10	781	TH
40	3600	324TS	230/460 V	PX2N040-2	\$4,931	93	28.43	1.15	44.30	708	TH
	3600	324TS	575 V	PX2N040-5	\$4,931	93	28.43	1.15	35.40	708	TH
	1800	324T	230/460 V	PX4N040-2	\$4,953	94.1	29.93	1.15	46.60	708	TH
	1800	324T	575 V	PX4N040-5	\$4,953	94.1	29.93	1.15	37.20	708	TH
	1200	364T	230/460 V	PX6N040-2	\$7,659	94.1	32.57	1.15	46.30	946	TH
	1200	364T	575 V	PX6N040-5	\$7,659	94.1	32.57	1.15	37.00	946	TH
50	3600	326TS	230/460 V	PX2N050-2	\$6,044	93.6	29.92	1.15	55.00	781	TH
	3600	326TS	575 V	PX2N050-5	\$6,044	93.6	29.92	1.15	43.90	781	TH
	1800	326T	230/460 V	PX4N050-2	\$5,861	64.5	31.42	1.15	57.90	781	TH
	1800	326T	575 V	PX4N050-5	\$5,861	64.5	31.42	1.15	46.30	781	TH
	1200	365T	230/460 V	PX6N050-2	\$9,181	94.1	33.55	1.15	59.60	1019	TH
	1200	365T	575 V	PX6N050-5	\$9,181	94.1	33.55	1.15	47.60	1019	TH
60	3600	364TS	230/460 V	PX2N060-2	\$7,540	93.6	30.44	1.15	64.50	946	TH
	3600	364TS	575 V	PX2N060-5	\$7,540	93.6	30.44	1.15	51.60	946	TH
	1800	364T	230/460 V	PX4N060-2	\$7,647	95	32.57	1.15	67.20	946	TH
	1800	364T	575 V	PX4N060-5	\$7,647	95	32.57	1.15	53.70	946	TH
	1200	404T	230/460 V	PX6N060-2	\$10,643	94.5	36.50	1.15	69.10	1408	TH
	1200	404T	575 V	PX6N060-5	\$10,643	94.5	36.50	1.15	55.30	1408	TH
75	3600	365TS	230/460 V	PX2N075-2	\$9,829	93.6	31.42	1.15	80.70	1019	TH
	3600	365TS	575 V	PX2N075-5	\$9,829	93.6	31.42	1.15	64.50	1019	TH
	1800	365T	230/460 V	PX4N075-2	\$9,164	95.4	33.55	1.15	83.60	1019	TH
	1800	365T	575 V	PX4N075-5	\$9,164	95.4	33.55	1.15	66.90	1019	TH
	1200	405T	230/460 V	PX6N075-2	\$11,350	94.5	37.99	1.15	85.90	1408	TH
	1200	405T	575 V	PX6N075-5	\$11,350	94.5	37.99	1.15	68.70	1408	TH
100	3600	405TS	230/460 V	PX2N100-2	\$12,795	94.5	34.99	1.15	108.00	1408	TH
	3600	405TS	575 V	PX2N100-5	\$12,795	94.5	34.99	1.15	86.10	1408	TH
	1800	405T	230/460 V	PX4N100-2	\$11,350	95.4	37.99	1.15	109.00	1408	TH
	1800	405T	575 V	PX4N100-5	\$11,350	95.4	37.99	1.15	87.20	1408	TH
	1200	444T	230/460 V	PX6N100-2	\$15,059	95	44.40	1.15	118.00	1650	TH
	1200	444T	575 V	PX6N100-5	\$15,059	95	44.40	1.15	94.40	1650	TH
125	3600	444TS	460 V	PX2N125-9	\$16,227	95	40.65	1.15	137.00	1650	TH
	3600	444TS	575 V	PX2N125-5	\$16,227	95	40.65	1.15	109.00	1650	TH
	1800	444T	460 V	PX4N125-9	\$15,063	95.4	44.40	1.15	139.00	1650	TH
	1800	444T	575 V	PX4N125-5	\$15,063	95.4	44.40	1.15	111.00	1650	TH
	1200	445T	460 V	PX6N125-9	\$19,129	95	46.40	1.15	184.00	1720	TH
	1200	445T	575 V	PX6N125-5	\$19,129	95	46.40	1.15	147.00	1720	TH
150	3600	445TS	460 V	PX2N150-9	\$18,822	95	42.65	1.15	164.00	1720	TH
	3600	445TS	575 V	PX2N150-5	\$18,822	95	42.65	1.15	131.40	1720	TH
	1800	445T	460 V	PX4N150-9	\$19,029	95.8	46.40	1.15	165.00	1720	TH
	1800	445T	575 V	PX4N150-5	\$19,029	95.8	46.40	1.15	131.70	1720	TH

Discount Category **20**

Single Phase  
Fractional 56/56C  
NEMA Aluminum  
NEMA Cast Iron  
NEMA Explosion Proof  
Close Coupled Pump Motor  
NEMA 2 Speed Motor  
NEMA Brake Motor

Single Phase

Fractional  
56/56C

NEMA  
Aluminum

NEMA  
Cast Iron

NEMA  
Explosion Proof

Close Coupled  
Pump Motor

NEMA  
2 Speed Motor

NEMA  
Brake Motor

HP	RPM	Frame	Voltage	P/N	List	FL Eff.	C Dim. (IN)	S.F. 60 Hz	FL Amps	LBS	Notes
1	1800	143TC	230/460 V	PX4N001-2C	\$862	85.5	12.55	1.15	1.60	77	TH
	1800	143TC	575 V	PX4N001-5C	\$862	85.5	12.55	1.15	1.20	77	TH
	1200	145TC	230/460 V	PX6N001-2C	\$934	82.5	13.54	1.15	1.70	85	TH
	1200	145TC	575 V	PX6N001-5C	\$934	82.5	13.54	1.15	1.30	85	TH
1.5	3600	143TC	230/460 V	PX2N1.5-2C	\$913	84	12.55	1.15	1.90	77	TH
	3600	143TC	575 V	PX2N1.5-5C	\$913	84	12.55	1.15	1.50	77	TH
	1800	145TC	230/460 V	PX4N1.5-2C	\$913	86.5	13.54	1.15	2.10	85	TH
	1800	145TC	575 V	PX4N1.5-5C	\$913	86.5	13.54	1.15	1.70	85	TH
	1200	182TC	230/460 V	PX6N1.5-2C	\$1,177	87.5	14.89	1.15	2.50	133	TH
	1200	182TC	575 V	PX6N1.5-5C	\$1,177	87.5	14.89	1.15	2.00	133	TH
2	3600	145TC	230/460 V	PX2N002-2C	\$964	85.5	13.54	1.15	2.50	85	TH
	3600	145TC	575 V	PX2N002-5C	\$964	85.5	13.54	1.15	2.00	85	TH
	1800	145TC	230/460 V	PX4N002-2C	\$973	86.5	13.54	1.15	2.70	85	TH
	1800	145TC	575 V	PX4N002-5C	\$973	86.5	13.54	1.15	2.20	85	TH
	1200	184TC	230/460 V	PX6N002-2C	\$1,313	88.5	15.91	1.15	3.00	145	TH
	1200	184TC	575 V	PX6N002-5C	\$1,313	88.5	15.91	1.15	2.40	145	TH
3	3600	182TC	230/460 V	PX2N003-2C	\$1,202	87.5	14.89	1.15	3.50	133	TH
	3600	182TC	575 V	PX2N003-5C	\$1,202	87.5	14.89	1.15	2.80	133	TH
	1800	182TC	230/460 V	PX4N003-2C	\$1,249	89.5	14.89	1.15	3.80	133	TH
	1800	182TC	575 V	PX4N003-5C	\$1,249	89.5	14.89	1.15	3.10	133	TH
	1200	213TC	230/460 V	PX6N003-2C	\$1,797	89.5	18.26	1.15	3.90	222	TH
	1200	213TC	575 V	PX6N003-5C	\$1,797	89.5	18.26	1.15	3.10	222	TH
5	3600	184TC	230/460 V	PX2N005-2C	\$1,427	88.5	15.91	1.15	5.80	145	TH
	3600	184TC	575 V	PX2N005-5C	\$1,427	88.5	15.91	1.15	4.60	145	TH
	1800	184TC	230/460 V	PX4N005-2C	\$1,427	89.5	15.91	1.15	6.20	145	TH
	1800	184TC	575 V	PX4N005-5C	\$1,427	89.5	15.91	1.15	4.90	145	TH
	1200	215TC	230/460 V	PX6N005-2C	\$2,039	90.2	19.76	1.15	6.40	246	TH
	1200	215TC	575 V	PX6N005-5C	\$2,039	90.2	19.76	1.15	5.10	246	TH
7.5	3600	213TC	230/460 V	PX2N7.5-2C	\$1,742	89.5	18.26	1.15	9.00	222	TH
	3600	213TC	575 V	PX2N7.5-5C	\$1,742	89.5	18.26	1.15	7.20	222	TH
	1800	213TC	230/460 V	PX4N7.5-2C	\$1,818	91.7	18.26	1.15	8.80	222	TH
	1800	213TC	575 V	PX4N7.5-5C	\$1,818	91.7	18.26	1.15	7.00	222	TH
	1200	254TC	230/460 V	PX6N7.5-2C	\$2,489	91	23.78	1.15	9.40	365	TH
	1200	254TC	575 V	PX6N7.5-5C	\$2,489	91	23.78	1.15	7.50	365	TH
10	3600	215TC	230/460 V	PX2N010-2C	\$1,996	90.2	19.76	1.15	11.90	246	TH
	3600	215TC	575 V	PX2N010-5C	\$1,996	90.2	19.76	1.15	9.50	246	TH
	1800	215TC	230/460 V	PX4N010-2C	\$2,039	91.7	19.76	1.15	11.70	246	TH
	1800	215TC	575 V	PX4N010-5C	\$2,039	91.7	19.76	1.15	9.30	246	TH
	1200	256TC	230/460 V	PX6N010-2C	\$2,893	91	25.52	1.15	12.60	411	TH
	1200	256TC	575 V	PX6N010-5C	\$2,893	91	25.52	1.15	10.10	411	TH
15	3600	254TC	230/460 V	PX2N015-2C	\$2,629	91	23.78	1.15	16.80	365	TH
	3600	254TC	575 V	PX2N015-5C	\$2,629	91	23.78	1.15	13.40	365	TH
	1800	254TC	230/460 V	PX4N015-2C	\$2,629	92.4	23.78	1.15	17.90	365	TH
	1800	254TC	575 V	PX4N015-5C	\$2,629	92.4	23.78	1.15	14.30	365	TH
	1200	284TC	230/460 V	PX6N015-2C	\$3,857	91.7	26.80	1.15	18.50	525	TH
	1200	284TC	575 V	PX6N015-5C	\$3,857	91.7	26.80	1.15	14.70	525	TH
20	3600	256TC	230/460 V	PX2N020-2C	\$2,969	91	25.52	1.15	22.40	411	TH
	3600	256TC	575 V	PX2N020-5C	\$2,969	91	25.52	1.15	17.80	411	TH
	1800	256TC	230/460 V	PX4N020-2C	\$3,020	93	25.52	1.15	23.60	411	TH
	1800	256TC	575 V	PX4N020-5C	\$3,020	93	25.52	1.15	18.80	411	TH
	1200	286TC	230/460 V	PX6N020-2C	\$4,477	91.7	28.30	1.15	24.30	565	TH
	1200	286TC	575 V	PX6N020-5C	\$4,477	91.7	28.30	1.15	19.40	565	TH

Discount Category **20**

# Explosion Proof NEMA 143TC-445TC - TEFC C-Face With Feet - Cast Iron



HP	RPM	Frame	Voltage	P/N	List	FL Eff.	C Dim. (IN)	S.F. 60 Hz	FL Amps	LBS	Notes
25	3600	284TSC	230/460 V	PX2N025-2C	\$3,933	91.7	25.43	1.15	27.70	525	TH
	3600	284TSC	575 V	PX2N025-5C	\$3,933	91.7	25.43	1.15	22.20	525	TH
	1800	284TC	230/460 V	PX4N025-2C	\$3,959	93.6	26.93	1.15	29.40	525	TH
	1800	284TC	575 V	PX4N025-5C	\$3,959	93.6	26.93	1.15	23.50	525	TH
	1200	324TC	230/460 V	PX6N025-2C	\$5,739	93	29.93	1.15	30.30	750	TH
	1200	324TC	575 V	PX6N025-5C	\$5,739	93	29.93	1.15	24.20	750	TH
30	3600	286TSC	230/460 V	PX2N030-2C	\$4,418	92.4	26.93	1.15	33.00	565	TH
	3600	286TSC	575 V	PX2N030-5C	\$4,418	92.4	26.93	1.15	26.40	565	TH
	1800	286TC	230/460 V	PX4N030-2C	\$4,473	93.6	28.30	1.15	35.10	565	TH
	1800	286TC	575 V	PX4N030-5C	\$4,473	93.6	28.30	1.15	28.00	565	TH
	1200	326TC	230/460 V	PX6N030-2C	\$6,635	93	31.42	1.15	36.40	823	TH
	1200	326TC	575 V	PX6N030-5C	\$6,635	93	31.42	1.15	29.10	823	TH
40	3600	324TSC	230/460 V	PX2N040-2C	\$5,722	93	28.43	1.15	44.30	750	TH
	3600	324TSC	575 V	PX2N040-5C	\$5,722	93	28.43	1.15	35.40	750	TH
	1800	324TC	230/460 V	PX4N040-2C	\$5,743	94.1	29.93	1.15	46.60	750	TH
	1800	324TC	575 V	PX4N040-5C	\$5,743	94.1	29.93	1.15	37.20	750	TH
	1200	364TC	230/460 V	PX6N040-2C	\$8,572	94.1	32.57	1.15	46.30	995	TH
	1200	364TC	575 V	PX6N040-5C	\$8,572	94.1	32.57	1.15	37.00	995	TH
50	3600	326TSC	230/460 V	PX2N050-2C	\$6,834	93.6	29.92	1.15	55.00	823	TH
	3600	326TSC	575 V	PX2N050-5C	\$6,834	93.6	29.92	1.15	43.90	823	TH
	1800	326TC	230/460 V	PX4N050-2C	\$6,652	64.5	31.42	1.15	57.90	823	TH
	1800	326TC	575 V	PX4N050-5C	\$6,652	64.5	31.42	1.15	46.30	823	TH
	1200	365TC	230/460 V	PX6N050-2C	\$10,092	94.1	33.55	1.15	59.60	1074	TH
	1200	365TC	575 V	PX6N050-5C	\$10,092	94.1	33.55	1.15	47.60	1074	TH
60	3600	364TSC	230/460 V	PX2N060-2C	\$8,453	93.6	30.44	1.15	64.50	995	TH
	3600	364TSC	575 V	PX2N060-5C	\$8,453	93.6	30.44	1.15	51.60	995	TH
	1800	364TC	230/460 V	PX4N060-2C	\$8,559	95	32.57	1.15	67.20	995	TH
	1800	364TC	575 V	PX4N060-5C	\$8,559	95	32.57	1.15	53.70	995	TH
	1200	404TC	230/460 V	PX6N060-2C	\$12,535	94.5	36.50	1.15	69.10	1465	TH
	1200	404TC	575 V	PX6N060-5C	\$12,535	94.5	36.50	1.15	55.30	1465	TH
75	3600	365TSC	230/460 V	PX2N075-2C	\$10,742	93.6	31.42	1.15	80.70	1074	TH
	3600	365TSC	575 V	PX2N075-5C	\$10,742	93.6	31.42	1.15	64.50	1074	TH
	1800	365TC	230/460 V	PX4N075-2C	\$10,075	95.4	33.55	1.15	83.60	1074	TH
	1800	365TC	575 V	PX4N075-5C	\$10,075	95.4	33.55	1.15	66.90	1074	TH
	1200	405TC	230/460 V	PX6N075-2C	\$13,240	94.5	37.99	1.15	85.90	1465	TH
	1200	405TC	575 V	PX6N075-5C	\$13,240	94.5	37.99	1.15	68.70	1465	TH
100	3600	405TSC	230/460 V	PX2N100-2C	\$14,684	94.5	34.99	1.15	108.00	1465	TH
	3600	405TSC	575 V	PX2N100-5C	\$14,684	94.5	34.99	1.15	86.10	1465	TH
	1800	405TC	230/460 V	PX4N100-2C	\$13,240	95.4	37.99	1.15	109.00	1465	TH
	1800	405TC	575 V	PX4N100-5C	\$13,240	95.4	37.99	1.15	87.20	1465	TH
	1200	444TC	230/460 V	PX6N100-2C	\$17,602	95	44.40	1.15	118.00	1705	TH
	1200	444TC	575 V	PX6N100-5C	\$17,602	95	44.40	1.15	94.40	1705	TH
125	3600	444TSC	460 V	PX2N125-9C	\$18,770	95	40.65	1.15	137.00	1705	TH
	3600	444TSC	575 V	PX2N125-5C	\$18,770	95	40.65	1.15	109.00	1705	TH
	1800	444TC	460 V	PX4N125-9C	\$17,606	95.4	44.40	1.15	139.00	1705	TH
	1800	444TC	575 V	PX4N125-5C	\$17,606	95.4	44.40	1.15	111.00	1705	TH
	1200	445TC	460 V	PX6N125-9C	\$21,672	95	46.40	1.15	184.00	1775	TH
	1200	445TC	575 V	PX6N125-5C	\$21,672	95	46.40	1.15	147.00	1775	TH
150	3600	445TSC	460 V	PX2N150-9C	\$21,196	95	42.65	1.15	164.00	1775	TH
	3600	445TSC	575 V	PX2N150-5C	\$21,196	95	42.65	1.15	131.40	1775	TH
	1800	445TC	460 V	PX4N150-9C	\$21,404	95.8	46.40	1.15	165.00	1775	TH
	1800	445TC	575 V	PX4N150-5C	\$21,404	95.8	46.40	1.15	131.70	1775	TH

Discount Category **20**

Single Phase
Fractional 56/56C
NEMA Aluminum
NEMA Cast Iron
NEMA Explosion Proof
Close Coupled Pump Motor
NEMA 2 Speed Motor
NEMA Brake Motor



Single Phase
Fractional 56/56C
NEMA Aluminum
NEMA Cast Iron
NEMA Explosion Proof
Close Coupled Pump Motor
NEMA 2 Speed Motor
NEMA Brake Motor



Premium Efficient Three Phase NEMA JM/JP Close Coupled Pump Motors. Features Include:

- NEMA MG1-Part 31 inverter duty 15:1 constant torque, 20:1 variable torque
- Aluminum construction from 1 HP to 30 HP
- Cast iron construction from 40 HP to 75 HP
- 1.25 service factor at 60Hz, 1.0 service factor at 50Hz
- Class F insulation with class B temperature rise
- IP55 degree of protection for washdown duty enclosure
- Full contact shaft seals inside both brackets for increased protection against contaminants
- Dual rated 60/50Hz at same HP
- Split conduit box is 90 degree rotatable
- CSA approved for Class I; Division 2; Groups A, B, C & D, Zone 2; Groups IIA & IIB T3 on sine wave power
- Internal tropicproof
- 3 year warranty

**Notes:**  
**RF** - Removable Feet  
**TM** - Thermistors

# NEMA Close Coupled Pump Motor 143JM-365JM - TEFC C-Face With Removable Feet



HP	RPM	Frame	Voltage	P/N	List	FL Eff.	C Dim. (IN)	S.F. 60 Hz	FL Amps	LBS	Notes			
<b>Aluminum Frames</b>														
1	1800	143/5JM	230/460 V	BA4N001-4JM	\$490	85.5	14.18	1.25	1.40	44	RF			
	1800	143/5JM	575 V	BA4N001-5JM	\$490	85.5	14.18	1.25	1.12	44	RF			
	1200	145JM	208/416 V	PA6N001-3JM	\$605	82.5	16.20	1.25	1.87	46	RF			
	1200	145JM	230/460 V	PA6N001-4JM	\$605	82.5	16.20	1.25	1.70	46	RF			
	1200	145JM	575 V	PA6N001-5JM	\$605	82.5	16.20	1.25	1.40	46	RF			
1.5	3600	143/5JM	230/460 V	BA2N1.5-4JM	\$515	84	14.18	1.25	1.90	44	RF			
	3600	143/5JM	575 V	BA2N1.5-5JM	\$515	84	14.18	1.25	1.52	44	RF			
	1800	143/5JM	230/460 V	BA4N1.5-4JM	\$530	86.5	14.18	1.25	2.10	62	RF			
	1800	143/5JM	575 V	BA4N1.5-5JM	\$530	86.5	14.18	1.25	1.68	62	RF			
	1200	182JM	208/416 V	PA6N1.5-3JM	\$884	87.5	17.30	1.25	2.43	70	RF			
	1200	182JM	230/460 V	PA6N1.5-4JM	\$884	87.5	17.30	1.25	2.20	70	RF			
2	1200	182JM	575 V	PA6N1.5-5JM	\$884	87.5	17.30	1.25	1.80	70	RF			
	3600	143/5JM	230/460 V	BA2N002-4JM	\$565	85.5	14.18	1.25	2.60	62	RF			
	3600	143/5JM	575 V	BA2N002-5JM	\$565	85.5	14.18	1.25	2.08	62	RF			
	1800	143/5JM	230/460 V	BA4N002-4JM	\$566	86.5	14.18	1.25	2.90	70	RF			
	1800	143/5JM	575 V	BA4N002-5JM	\$566	86.5	14.18	1.25	2.32	70	RF			
	1200	184JM	208/416 V	PA6N002-3JM	\$996	88.5	18.30	1.25	3.31	76	RF			
	1200	184JM	230/460 V	PA6N002-4JM	\$996	88.5	18.30	1.25	3.00	76	RF			
3	1200	184JM	575 V	PA6N002-5JM	\$996	88.5	18.30	1.25	2.40	76	RF			
	3600	182/4JM	230/460 V	BA2N003-4JM	\$750	86.5	15.43	1.25	3.50	80	RF			
	3600	182/4JM	575 V	BA2N003-5JM	\$750	86.5	15.43	1.25	2.80	80	RF			
	1800	182/4JM	230/460 V	BA4N003-4JM	\$760	89.5	15.43	1.25	3.90	92	RF			
	1800	182/4JM	575 V	BA4N003-5JM	\$760	89.5	15.43	1.25	3.12	92	RF			
	1200	213JM	208/416 V	PA6N003-3JM	\$1,256	89.5	19.90	1.25	4.64	120	RF			
	1200	213JM	230/460 V	PA6N003-4JM	\$1,256	89.5	19.90	1.25	4.20	120	RF			
5	1200	213JM	575 V	PA6N003-5JM	\$1,256	89.5	19.90	1.25	3.40	120	RF			
	3600	182/4JM	230/460 V	BA2N005-4JM	\$820	88.5	16.27	1.25	5.80	92	RF			
	3600	182/4JM	575 V	BA2N005-5JM	\$820	88.5	16.27	1.25	4.64	92	RF			
	1800	182/4JM	230/460 V	BA4N005-4JM	\$788	89.5	16.27	1.25	6.50	105	RF			
	1800	182/4JM	575 V	BA4N005-5JM	\$788	89.5	16.27	1.25	5.20	105	RF			
	1200	215JM	208/416 V	PA6N005-3JM	\$1,550	89.5	21.40	1.25	7.85	139	RF			
	1200	215JM	230/460 V	PA6N005-4JM	\$1,550	89.5	21.40	1.25	7.10	139	RF			
7.5	1200	215JM	575 V	PA6N005-5JM	\$1,550	89.5	21.40	1.25	5.70	139	RF			
	3600	213/5JM	230/460 V	BA2N7.5-4JM	\$1,070	89.5	19.30	1.25	8.40	140	RF			
	3600	213/5JM	575 V	BA2N7.5-5JM	\$1,070	89.5	19.30	1.25	6.72	140	RF			
	1800	213/5JM	230/460 V	BA4N7.5-4JM	\$1,130	91.7	19.30	1.25	9.80	153	RF			
	1800	213/5JM	575 V	BA4N7.5-5JM	\$1,130	91.7	19.30	1.25	7.84	153	RF			
	1200	254/6JM	208/416 V	BA6N7.5-3JM	\$2,049	91.7	23.44	1.25	10.73	160	RF, TM			
	1200	254/6JM	230/460 V	BA6N7.5-4JM	\$2,049	91.7	23.44	1.25	9.70	160	RF, TM			
10	1200	254/6JM	575 V	BA6N7.5-5JM	\$2,049	91.7	23.44	1.25	7.76	160	RF, TM			
	3600	213/5JM	230/460 V	BA2N010-4JM	\$1,330	90.2	19.30	1.25	11.60	153	RF			
	3600	213/5JM	575 V	BA2N010-5JM	\$1,330	90.2	19.30	1.25	9.28	153	RF			
	1800	213/5JM	230/460 V	BA4N010-4JM	\$1,350	91.7	19.30	1.25	13.20	163	RF			
15	1800	213/5JM	575 V	BA4N010-5JM	\$1,350	91.7	19.30	1.25	10.56	163	RF			
	3600	254/6JM	230/460 V	BA2N015-4JM	\$1,970	91	23.44	1.25	17.00	258	RF, TM			
	3600	254/6JM	575 V	BA2N015-5JM	\$1,970	91	23.44	1.25	13.60	258	RF, TM			
	1800	254/6JM	230/460 V	BA4N015-4JM	\$1,980	92.4	23.44	1.25	17.80	268	RF, TM			
20	1800	254/6JM	575 V	BA4N015-5JM	\$1,980	92.4	23.44	1.25	14.24	268	RF, TM			
	3600	254/6JM	230/460 V	BA2N020-4JM	\$2,250	91	23.44	1.25	22.20	268	RF, TM			
	3600	254/6JM	575 V	BA2N020-5JM	\$2,250	91	23.44	1.25	17.76	268	RF, TM			
	1800	254/6JM	230/460 V	BA4N020-4JM	\$2,260	93	23.44	1.25	23.30	286	RF, TM			
				1800	254/6JM	575 V	BA4N020-5JM	\$2,260	93	23.44	1.25	18.64	286	RF, TM

Discount Category **56**

Single Phase

Fractional 56/56C

NEMA Aluminum

NEMA Cast Iron

NEMA Explosion Proof

Close Coupled Pump Motor

NEMA 2 Speed Motor

NEMA Brake Motor

**NEMA Close Coupled Pump Motor 143JM-365JM - TEFC  
C-Face With Removable Feet**

Single Phase

Fractional 56/56C

NEMA Aluminum

NEMA Cast Iron

NEMA Explosion Proof

Close Coupled Pump Motor

NEMA 2 Speed Motor

NEMA Brake Motor

HP	RPM	Frame	Voltage	P/N	List	FL Eff.	C Dim. (IN)	S.F. 60 Hz	FL Amps	LBS	Notes
25	3600	284/6JM	230/460 V	BA2N025-4JM	\$2,550	91.7	24.97	1.25	27.20	330	RF, TM
	3600	284/6JM	575 V	BA2N025-5JM	\$2,550	91.7	24.97	1.25	21.76	330	RF, TM
	1800	284/6JM	230/460 V	BA4N025-4JM	\$2,730	93.6	26.34	1.25	27.90	362	RF, TM
	1800	284/6JM	575 V	BA4N025-5JM	\$2,730	93.6	26.34	1.25	22.32	362	RF, TM
30	3600	284/6JM	230/460 V	BA2N030-4JM	\$3,200	91.7	24.97	1.25	32.40	368	RF, TM
	3600	284/6JM	575 V	BA2N030-5JM	\$3,200	91.7	24.97	1.25	25.92	368	RF, TM
	1800	284/6JM	230/460 V	BA4N030-4JM	\$3,220	93.6	26.34	1.25	33.90	380	RF, TM
	1800	284/6JM	575 V	BA4N030-5JM	\$3,220	93.6	26.34	1.25	27.12	380	RF, TM

HP	RPM	Frame	Voltage	P/N	List	FL Eff.	C Dim. (IN)	S.F. 60 Hz	FL Amps	LBS	Notes
<b>Cast Iron Frames</b>											
40	3600	324JM	230/460 V	BC2N040-4JM	\$3,800	93	31.25	1.25	46.00	637	RF, TM
	3600	324JM	575 V	BC2N040-5JM	\$3,800	93	31.25	1.25	36.80	637	RF, TM
	1800	324JM	230/460 V	BC4N040-4JM	\$3,830	94.1	32.75	1.25	45.00	647	RF, TM
	1800	324JM	575 V	BC4N040-5JM	\$3,830	94.1	32.75	1.25	36.00	647	RF, TM
50	3600	326JM	230/460 V	BC2N050-4JM	\$4,400	93.6	32.75	1.25	57.00	755	RF, TM
	3600	326JM	575 V	BC2N050-5JM	\$4,400	93.6	32.75	1.25	45.60	755	RF, TM
	1800	326JM	230/460 V	BC4N050-4JM	\$4,500	94.5	34.25	1.25	58.00	765	RF, TM
	1800	326JM	575 V	BC4N050-5JM	\$4,500	94.5	34.25	1.25	46.40	765	RF, TM
60	3600	364JM	230/460 V	BC2N060-4JM	\$6,240	93.6	34.25	1.25	66.00	918	RF, TM
	3600	364JM	575 V	BC2N060-5JM	\$6,240	93.6	34.25	1.25	52.80	918	RF, TM
	1800	364JM	230/460 V	BC4N060-4JM	\$6,200	95	36.38	1.25	68.00	928	RF, TM
	1800	364JM	575 V	BC4N060-5JM	\$6,200	95	36.38	1.25	54.40	928	RF, TM
75	3600	365JM	230/460 V	BC2N075-4JM	\$7,400	93.6	34.25	1.25	79.30	1065	RF, TM
	3600	365JM	575 V	BC2N075-5JM	\$7,400	93.6	34.25	1.25	63.40	1065	RF, TM
	1800	365JM	230/460 V	BC4N075-4JM	\$7,600	95.4	38.5	1.25	81.30	1086	RF, TM
	1800	365JM	575 V	BC4N075-5JM	\$7,600	95.4	38.5	1.25	65.00	1086	RF, TM

Discount Category **56**

# W Series NEMA JP Close Coupled Pump Motor - TEFC C-Face With Removable Feet



HP	RPM	Frame	Voltage	P/N	List	FL Eff.	C Dim. (IN)	S.F. 60 Hz	FL Amps	LBS	Notes
<b>Aluminum Frames</b>											
1	1800	143/5JP	230/460 V	BA4N001-4JP	\$490	85.5	14.18	1.25	1.40	46	RF
	1800	143/5JP	575 V	BA4N001-5JP	\$490	85.5	14.18	1.25	1.12	46	RF
	1200	145JP	208/416 V	PA6N001-3JP	\$605	82.5	19.30	1.25	1.87	49	RF
	1200	145JP	230/460 V	PA6N001-4JP	\$605	82.5	19.30	1.25	1.70	49	RF
	1200	145JP	575 V	PA6N001-5JP	\$605	82.5	19.30	1.25	1.40	49	RF
1.5	3600	143/5JP	230/460 V	BA2N1.5-4JP	\$515	84	14.18	1.25	1.90	46	RF
	3600	143/5JP	575 V	BA2N1.5-5JP	\$515	84	14.18	1.25	1.52	46	RF
	1800	143/5JP	230/460 V	BA4N1.5-4JP	\$530	86.5	14.18	1.25	2.10	66	RF
	1800	143/5JP	575 V	BA4N1.5-5JP	\$530	86.5	14.18	1.25	1.68	66	RF
	1200	182JP	208/416 V	PA6N1.5-3JP	\$884	87.5	20.40	1.25	2.43	74	RF
	1200	182JP	230/460 V	PA6N1.5-4JP	\$884	87.5	20.40	1.25	2.20	74	RF
	1200	182JP	575 V	PA6N1.5-5JP	\$884	87.5	20.40	1.25	1.80	74	RF
2	3600	143/5JP	230/460 V	BA2N002-4JP	\$565	85.5	14.18	1.25	2.60	66	RF
	3600	143/5JP	575 V	BA2N002-5JP	\$565	85.5	14.18	1.25	2.08	66	RF
	1800	143/5JP	230/460 V	BA4N002-4JP	\$566	86.5	14.18	1.25	2.90	74	RF
	1800	143/5JP	575 V	BA4N002-5JP	\$566	86.5	14.18	1.25	2.32	74	RF
	1200	184JP	208/416 V	PA6N002-3JP	\$996	88.5	21.40	1.25	3.31	80	RF
	1200	184JP	230/460 V	PA6N002-4JP	\$996	88.5	21.40	1.25	3.00	80	RF
	1200	184JP	575 V	PA6N002-5JP	\$996	88.5	21.40	1.25	2.40	80	RF
3	3600	182/4JP	230/460 V	BA2N003-4JP	\$750	86.5	15.43	1.25	3.50	85	RF
	3600	182/4JP	575 V	BA2N003-5JP	\$750	86.5	15.43	1.25	2.80	85	RF
	1800	182/4JP	230/460 V	BA4N003-4JP	\$760	89.5	15.43	1.25	3.90	96	RF
	1800	182/4JP	575 V	BA4N003-5JP	\$760	89.5	15.43	1.25	3.12	96	RF
	1200	213JP	208/416 V	PA6N003-3JP	\$1,256	89.5	23.80	1.25	4.64	125	RF
	1200	213JP	230/460 V	PA6N003-4JP	\$1,256	89.5	23.80	1.25	4.20	125	RF
	1200	213JP	575 V	PA6N003-5JP	\$1,256	89.5	23.80	1.25	3.40	125	RF
5	3600	182/4JP	230/460 V	BA2N005-4JP	\$820	88.5	16.27	1.25	5.80	96	RF
	3600	182/4JP	575 V	BA2N005-5JP	\$820	88.5	16.27	1.25	4.64	96	RF
	1800	182/4JP	230/460 V	BA4N005-4JP	\$788	89.5	16.27	1.25	6.50	110	RF
	1800	182/4JP	575 V	BA4N005-5JP	\$788	89.5	16.27	1.25	5.20	110	RF
	1200	215JP	208/416 V	PA6N005-3JP	\$1,550	89.5	25.30	1.25	7.85	145	RF
	1200	215JP	230/460 V	PA6N005-4JP	\$1,550	89.5	25.30	1.25	7.10	145	RF
	1200	215JP	575 V	PA6N005-5JP	\$1,550	89.5	25.30	1.25	5.70	145	RF
7.5	3600	213/5JP	230/460 V	BA2N7.5-4JP	\$1,070	89.5	19.3	1.25	8.40	145	RF
	3600	213/5JP	575 V	BA2N7.5-5JP	\$1,070	89.5	19.3	1.25	6.72	145	RF
	1800	213/5JP	230/460 V	BA4N7.5-4JP	\$1,130	91.7	19.3	1.25	9.80	160	RF
	1800	213/5JP	575 V	BA4N7.5-5JP	\$1,130	91.7	19.3	1.25	7.84	160	RF
	1200	254/6JP	208/416 V	BA6N7.5-3JP	\$2,049	91.7	27.85	1.25	10.73	165	RF, TM
	1200	254/6JP	230/460 V	BA6N7.5-4JP	\$2,049	91.7	27.85	1.25	9.70	165	RF, TM
	1200	254/6JP	575 V	BA6N7.5-5JP	\$2,049	91.7	27.85	1.25	7.76	165	RF, TM
10	3600	213/5JP	230/460 V	BA2N010-4JP	\$1,330	90.2	19.3	1.25	11.60	160	RF
	3600	213/5JP	575 V	BA2N010-5JP	\$1,330	90.2	19.3	1.25	9.28	160	RF
	1800	213/5JP	230/460 V	BA4N010-4JP	\$1,350	91.7	19.3	1.25	13.20	170	RF
	1800	213/5JP	575 V	BA4N010-5JP	\$1,350	91.7	19.3	1.25	10.56	170	RF
15	3600	254/6JP	230/460 V	BA2N015-4JP	\$1,970	91	23.44	1.25	17.00	265	RF, TM
	3600	254/6JP	575 V	BA2N015-5JP	\$1,970	91	23.44	1.25	13.60	265	RF, TM
	1800	254/6JP	230/460 V	BA4N015-4JP	\$1,980	92.4	23.44	1.25	17.80	274	RF, TM
	1800	254/6JP	575 V	BA4N015-5JP	\$1,980	92.4	23.44	1.25	14.24	274	RF, TM
20	3600	254/6JP	230/460 V	BA2N020-4JP	\$2,250	91	23.44	1.25	22.20	274	RF, TM
	3600	254/6JP	575 V	BA2N020-5JP	\$2,250	91	23.44	1.25	17.76	274	RF, TM
	1800	254/6JP	230/460 V	BA4N020-4JP	\$2,260	93	23.44	1.25	23.30	294	RF, TM
	1800	254/6JP	575 V	BA4N020-5JP	\$2,260	93	23.44	1.25	18.64	294	RF, TM

Discount Category **56**

Single Phase  
Fractional 5/56C  
NEMA Aluminum  
NEMA Cast Iron  
NEMA Explosion Proof  
Close Coupled Pump Motor  
NEMA 2 Speed Motor  
NEMA Brake Motor

**W Series NEMA JP Close Coupled Pump Motor - TEFC  
C-Face With Removable Feet**

Single Phase

Fractional 56/56C

NEMA Aluminum

NEMA Cast Iron

NEMA Explosion Proof

Close Coupled Pump Motor

NEMA 2 Speed Motor

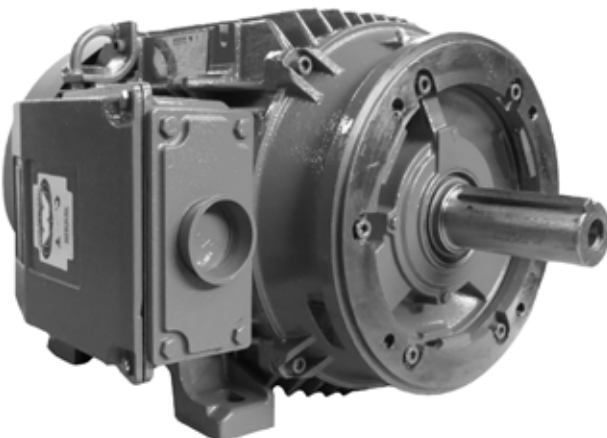
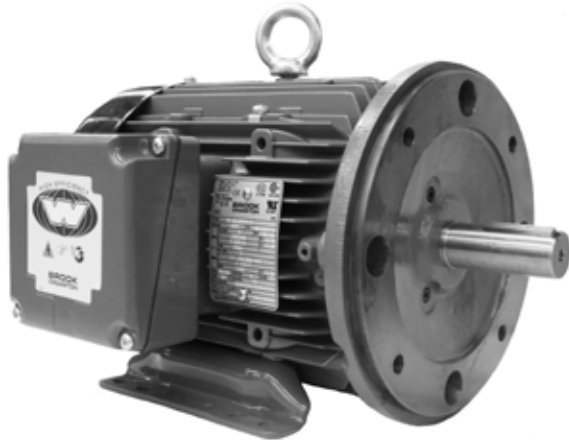
NEMA Brake Motor

HP	RPM	Frame	Voltage	P/N	List	FL Eff.	C Dim. (IN)	S.F. 60 Hz	FL Amps	LBS	Notes
25	3600	284/6JP	230/460 V	BA2N025-4JP	\$2,550	91.7	24.97	1.25	27.20	340	RF, TM
	3600	284/6JP	575 V	BA2N025-5JP	\$2,550	91.7	24.97	1.25	21.76	340	RF, TM
	1800	284/6JP	230/460 V	BA4N025-4JP	\$2,730	93.6	26.34	1.25	27.90	375	RF, TM
	1800	284/6JP	575 V	BA4N025-5JP	\$2,730	93.6	26.34	1.25	22.32	375	RF, TM
30	3600	284/6JP	230/460 V	BA2N030-4JP	\$3,200	91.7	24.97	1.25	32.40	380	RF, TM
	3600	284/6JP	575 V	BA2N030-5JP	\$3,200	91.7	24.97	1.25	25.92	380	RF, TM
	1800	284/6JP	230/460 V	BA4N030-4JP	\$3,220	93.6	26.34	1.25	33.90	394	RF, TM
	1800	284/6JP	575 V	BA4N030-5JP	\$3,220	93.6	26.34	1.25	27.12	394	RF, TM

HP	RPM	Frame	Voltage	P/N	List	FL Eff.	C Dim. (IN)	S.F. 60 Hz	FL Amps	LBS	Notes
<b>Cast Iron Frames</b>											
40	3600	324JP	230/460 V	BC2N040-4JP	\$3,800	93	31.25	1.25	46.00	650	RF, TM
	3600	324JP	575 V	BC2N040-5JP	\$3,800	93	31.25	1.25	36.80	650	RF, TM
	1800	324JP	230/460 V	BC4N040-4JP	\$3,830	94.1	32.75	1.25	45.00	660	RF, TM
	1800	324JP	575 V	BC4N040-5JP	\$3,830	94.1	32.75	1.25	36.00	660	RF, TM
50	3600	326JP	230/460 V	BC2N050-4JP	\$4,400	93.6	32.75	1.25	57.00	770	RF, TM
	3600	326JP	575 V	BC2N050-5JP	\$4,400	93.6	32.75	1.25	45.60	770	RF, TM
	1800	326JP	230/460 V	BC4N050-4JP	\$4,500	94.5	34.25	1.25	58.00	778	RF, TM
	1800	326JP	575 V	BC4N050-5JP	\$4,500	94.5	34.25	1.25	46.40	778	RF, TM
60	3600	364JP	230/460 V	BC2N060-4JP	\$6,240	93.6	34.25	1.25	66.00	930	RF, TM
	3600	364JP	575 V	BC2N060-5JP	\$6,240	93.6	34.25	1.25	52.80	930	RF, TM
	1800	364JP	230/460 V	BC4N060-4JP	\$6,200	95	36.38	1.25	68.00	940	RF, TM
	1800	364JP	575 V	BC4N060-5JP	\$6,200	95	36.38	1.25	54.40	940	RF, TM
75	3600	365JP	230/460 V	BC2N075-4JP	\$7,400	93.6	34.25	1.25	79.30	1075	RF, TM
	3600	365JP	575 V	BC2N075-5JP	\$7,400	93.6	34.25	1.25	63.40	1075	RF, TM
	1800	365JP	230/460 V	BC4N075-4JP	\$7,600	95.4	38.5	1.25	81.30	1100	RF, TM
	1800	365JP	575 V	BC4N075-5JP	\$7,600	95.4	38.5	1.25	65.00	1100	RF, TM

Discount Category **56**

**W Series NEMA 2-Speed Motors - TEFC**  
**Cast Aluminum & Cast Iron Construction**



Variable Torque and Constant Torque Two-Speed Motors in Aluminum and Cast Iron Construction. Features Include:

- Class F insulation with class B temperature rise
- Design B
- Removable/ repositionable feet for easy conversion to F1, F2, F3 (F0), or round body configuration
- IP55 degree of protection for washdown duty enclosure
- Full contact shaft seals inside both brackets for increased protection against contaminants
- Split conduit Box is 90 degree rotatable
- Internal tropicproof

Single Phase
Fractional 5/6/5/6C
NEMA Aluminum
NEMA Cast Iron
NEMA Explosion Proof
Close Coupled Pump Motor
NEMA 2 Speed Motor
NEMA Brake Motor

**W Series NEMA 2-Speed Motors Variable Torque - TEFC**  
**One Winding Variable Torque - 4/8 Pole**

Single Phase

Fractional 56/56C

NEMA Aluminum

NEMA Cast Iron

NEMA Explosion Proof

Close Coupled Pump Motor

NEMA 2 Speed Motor

NEMA Brake Motor

HP	RPM	Frame	Voltage	P/N	List	C Dim. (IN)	S.F. 60 Hz	LBS	Notes
<b>Aluminum Frames</b>									
1 / .25	1800 / 900	143/5T	460 V	BA4/8N001-9-VT1	\$1,396	14.18	1.00	40	RF
	1800 / 900	143/5T	575 V	BA4/8N001-5-VT1	\$1,396	14.18	1.00	40	RF
1.5 / .38	1800 / 900	143/5T	460 V	BA4/8N1.5-9-VT1	\$1,607	14.18	1.00	40	RF
	1800 / 900	143/5T	575 V	BA4/8N1.5-5-VT1	\$1,607	14.18	1.00	40	RF
2 / .5	1800 / 900	143/5T	460 V	BA4/8N002-9-VT1	\$1,763	14.18	1.00	40	RF
	1800 / 900	143/5T	575 V	BA4/8N002-5-VT1	\$1,763	14.18	1.00	40	RF
3 / .75	1800 / 900	182/4T	460 V	BA4/8N003-9-VT1	\$2,015	16.27	1.00	102	RF
	1800 / 900	182/4T	575 V	BA4/8N003-5-VT1	\$2,015	16.27	1.00	102	RF
5 / 1.25	1800 / 900	182/4T	460 V	BA4/8N005-9-VT1	\$2,151	16.27	1.00	102	RF
	1800 / 900	182/4T	575 V	BA4/8N005-5-VT1	\$2,151	16.27	1.00	102	RF
7.5 / 1.9	1800 / 900	213/5T	460 V	BA4/8N7.5-9-VT1	\$2,695	19.30	1.00	150	RF
	1800 / 900	213/5T	575 V	BA4/8N7.5-5-VT1	\$2,695	19.30	1.00	150	RF
10 / 2.5	1800 / 900	213/5T	460 V	BA4/8N010-9-VT1	\$3,318	19.30	1.00	150	RF
	1800 / 900	213/5T	575 V	BA4/8N010-5-VT1	\$3,318	19.30	1.00	150	RF
15 / 3.8	1800 / 900	254/6T	460 V	BA4/8N015-9-VT1	\$4,267	23.44	1.00	280	RF
	1800 / 900	254/6T	575 V	BA4/8N015-5-VT1	\$4,267	23.44	1.00	280	RF
20 / 5	1800 / 900	254/6T	460 V	BA4/8N020-9-VT1	\$5,048	23.44	1.00	280	RF
	1800 / 900	254/6T	575 V	BA4/8N020-5-VT1	\$5,048	23.44	1.00	280	RF
25 / 6.3	1800 / 900	284/6T	460 V	BA4/8N025-9-VT1	\$5,693	26.34	1.00	368	RF
	1800 / 900	284/6T	575 V	BA4/8N025-5-VT1	\$5,693	26.34	1.00	368	RF
30 / 7.5	1800 / 900	284/6T	460 V	BA4/8N030-9-VT1	\$6,817	26.34	1.00	368	RF
	1800 / 900	284/6T	575 V	BA4/8N030-5-VT1	\$6,817	26.34	1.00	368	RF

HP	RPM	Frame	Voltage	P/N	List	C Dim. (IN)	S.F. 60 Hz	LBS	Notes
<b>Cast Iron Frames</b>									
40 / 10	1800 / 900	324T	460 V	BC4/8N040-9-VT1	\$8,791	32.75	1.00	650	RF
	1800 / 900	324T	575 V	BC4/8N040-5-VT1	\$8,791	32.75	1.00	650	RF
50 / 12	1800 / 900	326T	460 V	BC4/8N050-9-VT1	\$10,280	32.75	1.00	765	RF
	1800 / 900	326T	575 V	BC4/8N050-5-VT1	\$10,280	32.75	1.00	765	RF
60 / 15	1800 / 900	364T	460 V	BC4/8N060-9-VT1	\$12,533	36.38	1.00	914	RF
	1800 / 900	364T	575 V	BC4/8N060-5-VT1	\$12,533	36.38	1.00	914	RF
75 / 18	1800 / 900	365T	460 V	BC4/8N075-9-VT1	\$15,141	38.50	1.00	1050	RF
	1800 / 900	365T	575 V	BC4/8N075-5-VT1	\$15,141	38.50	1.00	1050	RF
100 / 25	1800 / 900	405T	460 V	BC4/8N100-9-VT1	\$18,246	44	1.00	1384	RF
	1800 / 900	405T	575 V	BC4/8N100-5-VT1	\$18,246	44	1.00	1384	RF
125 / 31	1800 / 900	444T	460 V	BC4/8N125-9-VT1	\$24,172	47	1.00	1512	RF
	1800 / 900	444T	575 V	BC4/8N125-5-VT1	\$24,172	47	1.00	1512	RF
150 / 37	1800 / 900	445T	460 V	BC4/8N150-9-VT1	\$28,470	49.63	1.00	1896	RF
	1800 / 900	445T	575 V	BC4/8N150-5-VT1	\$28,470	49.63	1.00	1896	RF

Discount Category **19**

**Custom Voltages Available. Please Contact Brook Crompton For Pricing.**

**Notes:**  
RF - Removable Feet

**W Series NEMA 2-Speed Motors Variable Torque - TEFC**  
**Two Winding Variable Torque - 4/8 Pole**



HP	RPM	Frame	Voltage	P/N	List	C Dim. (IN)	S.F. 60 Hz	LBS	Notes
<b>Aluminum Frames</b>									
1 / .25	1800 / 900	143/5T	460 V	BA4/8N001-9-VT2	\$1,795	14.18	1.00	40	RF
	1800 / 900	143/5T	575 V	BA4/8N001-5-VT2	\$1,795	14.18	1.00	40	RF
1.5 / .38	1800 / 900	182/4T	460 V	BA4/8N1.5-9-VT2	\$2,279	16.27	1.00	102	RF
	1800 / 900	182/4T	575 V	BA4/8N1.5-5-VT2	\$2,279	16.27	1.00	102	RF
2 / .5	1800 / 900	182/4T	460 V	BA4/8N002-9-VT2	\$2,279	16.27	1.00	102	RF
	1800 / 900	182/4T	575 V	BA4/8N002-5-VT2	\$2,279	16.27	1.00	102	RF
3 / .75	1800 / 900	182/4T	460 V	BA4/8N003-9-VT2	\$2,439	16.27	1.00	102	RF
	1800 / 900	182/4T	575 V	BA4/8N003-5-VT2	\$2,439	16.27	1.00	102	RF
5 / 1.25	1800 / 900	213/5T	460 V	BA4/8N005-9-VT2	\$3,027	19.30	1.00	150	RF
	1800 / 900	213/5T	575 V	BA4/8N005-5-VT2	\$3,027	19.30	1.00	150	RF
7.5 / 1.9	1800 / 900	213/5T	460 V	BA4/8N7.5-9-VT2	\$3,730	19.30	1.00	150	RF
	1800 / 900	213/5T	575 V	BA4/8N7.5-5-VT2	\$3,730	19.30	1.00	150	RF
10 / 2.5	1800 / 900	254/6T	460 V	BA4/8N010-9-VT2	\$4,755	23.44	1.00	280	RF
	1800 / 900	254/6T	575 V	BA4/8N010-5-VT2	\$4,755	23.44	1.00	280	RF
15 / 3.8	1800 / 900	254/6T	460 V	BA4/8N015-9-VT2	\$5,636	23.44	1.00	280	RF
	1800 / 900	254/6T	575 V	BA4/8N015-5-VT2	\$5,636	23.44	1.00	280	RF
20 / 5	1800 / 900	284/6T	460 V	BA4/8N020-9-VT2	\$6,329	26.34	1.00	368	RF
	1800 / 900	284/6T	575 V	BA4/8N020-5-VT2	\$6,329	26.34	1.00	368	RF
25 / 6.3	1800 / 900	284/6T	460 V	BA4/8N025-9-VT2	\$7,569	26.34	1.00	368	RF
	1800 / 900	284/6T	575 V	BA4/8N025-5-VT2	\$7,569	26.34	1.00	368	RF

HP	RPM	Frame	Voltage	P/N	List	C Dim. (IN)	S.F. 60 Hz	LBS	Notes
<b>Cast Iron Frames</b>									
30 / 7.5	1800 / 900	324T	460 V	BC4/8N030-9-VT2	\$9,767	32.75	1.00	650	RF
	1800 / 900	324T	575 V	BC4/8N030-5-VT2	\$9,767	32.75	1.00	650	RF
40 / 10	1800 / 900	326T	460 V	BC4/8N040-9-VT2	\$12,492	34.25	1.00	765	RF
	1800 / 900	326T	575 V	BC4/8N040-5-VT2	\$12,492	34.25	1.00	765	RF
50 / 12	1800 / 900	364T	460 V	BC4/8N050-9-VT2	\$13,821	36.38	1.00	914	RF
	1800 / 900	364T	575 V	BC4/8N050-5-VT2	\$13,821	36.38	1.00	914	RF
60 / 15	1800 / 900	365T	460 V	BC4/8N060-9-VT2	\$16,593	38.50	1.00	1050	RF
	1800 / 900	365T	575 V	BC4/8N060-5-VT2	\$16,593	38.50	1.00	1050	RF
75 / 18	1800 / 900	405T	460 V	BC4/8N075-9-VT2	\$20,110	44	1.00	1384	RF
	1800 / 900	405T	575 V	BC4/8N075-5-VT2	\$20,110	44	1.00	1384	RF
100 / 25	1800 / 900	444T	460 V	BC4/8N100-9-VT2	\$26,264	47	1.00	1512	RF
	1800 / 900	444T	575 V	BC4/8N100-5-VT2	\$26,264	47	1.00	1512	RF
125 / 31	1800 / 900	445T	460 V	BC4/8N125-9-VT2	\$30,962	49.63	1.00	1896	RF
	1800 / 900	445T	575 V	BC4/8N125-5-VT2	\$30,962	49.63	1.00	1896	RF
150 / 37	1800 / 900	504Z	460 V	BC4/8N150-9-VT2	\$40,342	51.63	1.00	2354	RF
	1800 / 900	504Z	575 V	BC4/8N150-5-VT2	\$40,342	51.63	1.00	2354	RF

Discount Category **19**

**Custom Voltages Available. Please Contact Brook Crompton For Pricing.**

Single Phase  
 Fractional 56/56C  
 NEMA Aluminum  
 NEMA Cast Iron  
 NEMA Explosion Proof  
 Close Coupled Pump Motor  
 NEMA 2 Speed Motor  
 NEMA Brake Motor



**W Series NEMA 2-Speed Motors Variable Torque - TEFC**  
**Two Winding Variable Torque - 4/6 Pole**

Single Phase

Fractional 56/56C

NEMA Aluminum

NEMA Cast Iron

NEMA Explosion Proof

Close Coupled Pump Motor

NEMA 2 Speed Motor

NEMA Brake Motor

HP	RPM	Frame	Voltage	P/N	List	C Dim. (IN)	S.F. 60 Hz	LBS	Notes
<b>Aluminum Frames</b>									
1 / .44	1800 / 1200	143/5T	460 V	BA4/6N001-9-VT2	\$1,763	14.18	1.00	40	RF
	1800 / 1200	143/5T	575 V	BA4/6N001-5-VT2	\$1,763	14.18	1.00	40	RF
1.5 / .67	1800 / 1200	182/4T	460 V	BA4/6N1.5-9-VT2	\$2,015	16.27	1.00	102	RF
	1800 / 1200	182/4T	575 V	BA4/6N1.5-5-VT2	\$2,015	16.27	1.00	102	RF
2 / .9	1800 / 1200	182/4T	460 V	BA4/6N002-9-VT2	\$2,015	16.27	1.00	102	RF
	1800 / 1200	182/4T	575 V	BA4/6N002-5-VT2	\$2,015	16.27	1.00	102	RF
3 / 1.3	1800 / 1200	182/4T	460 V	BA4/6N003-9-VT2	\$2,151	16.27	1.00	102	RF
	1800 / 1200	182/4T	575 V	BA4/6N003-5-VT2	\$2,151	16.27	1.00	102	RF
5 / 2.2	1800 / 1200	213/5T	460 V	BA4/6N005-9-VT2	\$2,695	19.30	1.00	150	RF
	1800 / 1200	213/5T	575 V	BA4/6N005-5-VT2	\$2,695	19.30	1.00	150	RF
7.5 / 3.3	1800 / 1200	213/5T	460 V	BA4/6N7.5-9-VT2	\$3,318	19.30	1.00	150	RF
	1800 / 1200	213/5T	575 V	BA4/6N7.5-5-VT2	\$3,318	19.30	1.00	150	RF
10 / 4.4	1800 / 1200	254/6T	460 V	BA4/6N010-9-VT2	\$4,267	23.44	1.00	280	RF
	1800 / 1200	254/6T	575 V	BA4/6N010-5-VT2	\$4,267	23.44	1.00	280	RF
15 / 6.7	1800 / 1200	254/6T	460 V	BA4/6N015-9-VT2	\$5,048	23.44	1.00	280	RF
	1800 / 1200	254/6T	575 V	BA4/6N015-5-VT2	\$5,048	23.44	1.00	280	RF
20 / 8.9	1800 / 1200	284/6T	460 V	BA4/6N020-9-VT2	\$5,693	26.34	1.00	368	RF
	1800 / 1200	284/6T	575 V	BA4/6N020-5-VT2	\$5,693	26.34	1.00	368	RF
25 / 11	1800 / 1200	284/6T	460 V	BA4/6N025-9-VT2	\$6,817	26.34	1.00	368	RF
	1800 / 1200	284/6T	575 V	BA4/6N025-5-VT2	\$6,817	26.34	1.00	368	RF

HP	RPM	Frame	Voltage	P/N	List	C Dim. (IN)	S.F. 60 Hz	LBS	Notes
<b>Cast Iron Frames</b>									
30 / 9	1800 / 1200	324T	460 V	BC4/6N030-9-VT2	\$8,791	32.75	1.00	650	RF
	1800 / 1200	324T	575 V	BC4/6N030-5-VT2	\$8,791	32.75	1.00	650	RF
40 / 12	1800 / 1200	326T	460 V	BC4/6N040-9-VT2	\$10,280	34.25	1.00	765	RF
	1800 / 1200	326T	575 V	BC4/6N040-5-VT2	\$10,280	34.25	1.00	765	RF
50 / 15	1800 / 1200	364T	460 V	BC4/6N050-9-VT2	\$12,533	36.38	1.00	914	RF
	1800 / 1200	364T	575 V	BC4/6N050-5-VT2	\$12,533	36.38	1.00	914	RF
60 / 18	1800 / 1200	365T	460 V	BC4/6N060-9-VT2	\$15,141	38.50	1.00	1050	RF
	1800 / 1200	365T	575 V	BC4/6N060-5-VT2	\$15,141	38.50	1.00	1050	RF
75 / 22	1800 / 1200	405T	460 V	BC4/6N075-9-VT2	\$18,246	44	1.00	1384	RF
	1800 / 1200	405T	575 V	BC4/6N075-5-VT2	\$18,246	44	1.00	1384	RF
100 / 30	1800 / 1200	444T	460 V	BC4/6N100-9-VT2	\$24,172	47	1.00	1512	RF
	1800 / 1200	444T	575 V	BC4/6N100-5-VT2	\$24,172	47	1.00	1512	RF
125 / 37	1800 / 1200	445T	460 V	BC4/6N125-9-VT2	\$28,470	49.63	1.00	1896	RF
	1800 / 1200	445T	575 V	BC4/6N125-5-VT2	\$28,470	49.63	1.00	1896	RF
150 / 45	1800 / 1200	504Z	460 V	BC4/6N150-9-VT2	\$33,748	51.63	1.00	2354	RF
	1800 / 1200	504Z	575 V	BC4/6N150-5-VT2	\$33,748	51.63	1.00	2354	RF

**Discount Category 19**

**Custom Voltages Available. Please Contact Brook Crompton For Pricing.**

# W Series NEMA 2-Speed Motors Constant Torque - TEFC One Winding Constant Torque - 4/8 Pole



HP	RPM	Frame	Voltage	P/N	List	C Dim. (IN)	S.F. 60 Hz	LBS	Notes
<b>Aluminum Frames</b>									
1 / .5	1800 / 900	143/5T	460 V	BA4/8N001-9-CT1	\$1,763	14.18	1.00	40	RF
	1800 / 900	143/5T	575 V	BA4/8N001-5-CT1	\$1,763	14.18	1.00	40	RF
1.5 / .75	1800 / 900	182/4T	460 V	BA4/8N1.5-9-CT1	\$2,015	16.27	1.00	102	RF
	1800 / 900	182/4T	575 V	BA4/8N1.5-5-CT1	\$2,015	16.27	1.00	102	RF
2 / 1	1800 / 900	182/4T	460 V	BA4/8N002-9-CT1	\$2,015	16.27	1.00	102	RF
	1800 / 900	182/4T	575 V	BA4/8N002-5-CT1	\$2,015	16.27	1.00	102	RF
3 / 1.5	1800 / 900	182/4T	460 V	BA4/8N002-9-CT1	\$2,151	16.27	1.00	102	RF
	1800 / 900	182/4T	575 V	BA4/8N002-5-CT1	\$2,151	16.27	1.00	102	RF
5 / 2.5	1800 / 900	213/5T	460 V	BA4/8N005-9-CT1	\$2,695	19.30	1.00	150	RF
	1800 / 900	213/5T	575 V	BA4/8N005-5-CT1	\$2,695	19.30	1.00	150	RF
7.5 / 3.8	1800 / 900	213/5T	460 V	BA4/8N7.5-9-CT1	\$3,318	19.30	1.00	150	RF
	1800 / 900	213/5T	575 V	BA4/8N7.5-5-CT1	\$3,318	19.30	1.00	150	RF
10 / 5	1800 / 900	254/6T	460 V	BA4/8N010-9-CT1	\$4,267	23.44	1.00	280	RF
	1800 / 900	254/6T	575 V	BA4/8N010-5-CT1	\$4,267	23.44	1.00	280	RF
15 / 7.5	1800 / 900	254/6T	460 V	BA4/8N015-9-CT1	\$5,048	23.44	1.00	280	RF
	1800 / 900	254/6T	575 V	BA4/8N015-5-CT1	\$5,048	23.44	1.00	280	RF
20 / 10	1800 / 900	284/6T	460 V	BA4/8N020-9-CT1	\$5,693	26.34	1.00	368	RF
	1800 / 900	284/6T	575 V	BA4/8N020-5-CT1	\$5,693	26.34	1.00	368	RF
25 / 12.5	1800 / 900	284/6T	460 V	BA4/8N025-9-CT1	\$6,817	26.34	1.00	368	RF
	1800 / 900	284/6T	575 V	BA4/8N025-5-CT1	\$6,817	26.34	1.00	368	RF

HP	RPM	Frame	Voltage	P/N	List	C Dim. (IN)	S.F. 60 Hz	LBS	Notes
<b>Cast Iron Frames</b>									
30 / 15	1800 / 900	324T	460 V	BC4/8N030-9-CT1	\$8,791	32.75	1.00	650	RF
	1800 / 900	324T	575 V	BC4/8N030-5-CT1	\$8,791	32.75	1.00	650	RF
40 / 20	1800 / 900	326T	460 V	BC4/8N040-9-CT1	\$10,280	34.25	1.00	765	RF
	1800 / 900	326T	575 V	BC4/8N040-5-CT1	\$10,280	34.25	1.00	765	RF
50 / 25	1800 / 900	364T	460 V	BC4/8N050-9-CT1	\$12,533	36.38	1.00	914	RF
	1800 / 900	364T	575 V	BC4/8N050-5-CT1	\$12,533	36.38	1.00	914	RF
60 / 30	1800 / 900	365T	460 V	BC4/8N060-9-CT1	\$15,141	38.50	1.00	1050	RF
	1800 / 900	365T	575 V	BC4/8N060-5-CT1	\$15,141	38.50	1.00	1050	RF
75 / 38	1800 / 900	405T	460 V	BC4/8N075-9-CT1	\$18,246	44	1.00	1384	RF
	1800 / 900	405T	575 V	BC4/8N075-5-CT1	\$18,246	44	1.00	1384	RF
100 / 50	1800 / 900	444T	460 V	BC4/8N100-9-CT1	\$24,172	47	1.00	1512	RF
	1800 / 900	444T	575 V	BC4/8N100-5-CT1	\$24,172	47	1.00	1512	RF
125 / 63	1800 / 900	445T	460 V	BC4/8N125-9-CT1	\$28,470	49.63	1.00	1896	RF
	1800 / 900	445T	575 V	BC4/8N125-5-CT1	\$28,470	49.63	1.00	1896	RF
150 / 75	1800 / 900	504Z	460 V	BC4/8N150-9-CT1	\$33,748	51.63	1.00	2354	RF
	1800 / 900	504Z	575 V	BC4/8N150-5-CT1	\$33,748	51.63	1.00	2354	RF

Discount Category **19**

Custom Voltages Available. Please Contact Brook Crompton For Pricing.

Single Phase

Fractional 56/56C

NEMA Aluminum

NEMA Cast Iron

NEMA Explosion Proof

Close Coupled Pump Motor

NEMA 2 Speed Motor

NEMA Brake Motor

**W Series NEMA 2-Speed Motors Constant Torque - TEFC  
Two Winding Constant Torque - 4/8 Pole**

Single Phase

Fractional 56/56C

NEMA Aluminum

NEMA Cast Iron

NEMA Explosion Proof

Close Coupled Pump Motor

NEMA 2 Speed Motor

NEMA Brake Motor

HP	RPM	Frame	Voltage	P/N	List	C Dim. (IN)	S.F. 60 Hz	LBS	Notes
<b>Aluminum Frames</b>									
1 / .5	1800 / 900	182/4T	460 V	BA4/8N001-9-CT2	\$1,795	16.27	1.00	102	RF
	1800 / 900	182/4T	575 V	BA4/8N001-5-CT2	\$1,795	16.27	1.00	102	RF
1.5 / .75	1800 / 900	182/4T	460 V	BA4/8N1.5-9-CT2	\$2,279	16.27	1.00	102	RF
	1800 / 900	182/4T	575 V	BA4/8N1.5-5-CT2	\$2,279	16.27	1.00	102	RF
2 / 1	1800 / 900	182/4T	460 V	BA4/8N002-9-CT2	\$2,279	16.27	1.00	102	RF
	1800 / 900	182/4T	575 V	BA4/8N002-5-CT2	\$2,279	16.27	1.00	102	RF
3 / 1.5	1800 / 900	213/5T	460 V	BA4/8N002-9-CT2	\$2,439	19.30	1.00	150	RF
	1800 / 900	213/5T	575 V	BA4/8N002-5-CT2	\$2,439	19.30	1.00	150	RF
5 / 2.5	1800 / 900	213/5T	460 V	BA4/8N005-9-CT2	\$3,027	19.30	1.00	150	RF
	1800 / 900	213/5T	575 V	BA4/8N005-5-CT2	\$3,027	19.30	1.00	150	RF
7.5 / 3.8	1800 / 900	254/6T	460 V	BA4/8N7.5-9-CT2	\$3,730	23.44	1.00	280	RF
	1800 / 900	254/6T	575 V	BA4/8N7.5-5-CT2	\$3,730	23.44	1.00	280	RF
10 / 5	1800 / 900	254/6T	460 V	BA4/8N010-9-CT2	\$4,755	23.44	1.00	280	RF
	1800 / 900	254/6T	575 V	BA4/8N010-5-CT2	\$4,755	23.44	1.00	280	RF
15 / 7.5	1800 / 900	284/6T	460 V	BA4/8N015-9-CT2	\$5,636	26.34	1.00	368	RF
	1800 / 900	284/6T	575 V	BA4/8N015-5-CT2	\$5,636	26.34	1.00	368	RF
20 / 10	1800 / 900	284/6T	460 V	BA4/8N020-9-CT2	\$6,329	26.34	1.00	368	RF
	1800 / 900	284/6T	575 V	BA4/8N020-5-CT2	\$6,329	26.34	1.00	368	RF

HP	RPM	Frame	Voltage	P/N	List	C Dim. (IN)	S.F. 60 Hz	LBS	Notes
<b>Cast Iron Frames</b>									
25 / 12.5	1800 / 900	324T	460 V	BC4/8N025-9-CT2	\$7,569	32.75	1.00	650	RF
	1800 / 900	324T	575 V	BC4/8N025-5-CT2	\$7,569	32.75	1.00	650	RF
30 / 15	1800 / 900	326T	460 V	BC4/8N030-9-CT2	\$9,767	34.25	1.00	765	RF
	1800 / 900	326T	575 V	BC4/8N030-5-CT2	\$9,767	34.25	1.00	765	RF
40 / 20	1800 / 900	364T	460 V	BC4/8N040-9-CT2	\$12,492	36.38	1.00	914	RF
	1800 / 900	364T	575 V	BC4/8N040-5-CT2	\$12,492	36.38	1.00	914	RF
50 / 25	1800 / 900	365T	460 V	BC4/8N050-9-CT2	\$13,821	38.50	1.00	1050	RF
	1800 / 900	365T	575 V	BC4/8N050-5-CT2	\$13,821	38.50	1.00	1050	RF
60 / 30	1800 / 900	405T	460 V	BC4/8N060-9-CT2	\$16,593	44	1.00	1384	RF
	1800 / 900	405T	575 V	BC4/8N060-5-CT2	\$16,593	44	1.00	1384	RF
75 / 38	1800 / 900	444T	460 V	BC4/8N075-9-CT2	\$20,110	47	1.00	1512	RF
	1800 / 900	444T	575 V	BC4/8N075-5-CT2	\$20,110	47	1.00	1512	RF
100 / 50	1800 / 900	445T	460 V	BC4/8N100-9-CT2	\$26,264	49.63	1.00	1896	RF
	1800 / 900	445T	575 V	BC4/8N100-5-CT2	\$26,264	49.63	1.00	1896	RF
125 / 63	1800 / 900	504Z	460 V	BC4/8N125-9-CT2	\$30,962	51.63	1.00	2354	RF
	1800 / 900	504Z	575 V	BC4/8N125-5-CT2	\$30,962	51.63	1.00	2354	RF

Discount Category **19**

**Custom Voltages Available. Please Contact Brook Crompton For Pricing.**

**W Series NEMA 2-Speed Motors Constant Torque - TEFC**  
**Two Winding Constant Torque - 4/6 POLE**



HP	RPM	Frame	Voltage	P/N	List	C Dim. (IN)	S.F. 60 Hz	LBS	Notes
<b>Aluminum Frames</b>									
1 / .67	1800 / 1200	182/4T	460 V	BA4/6N001-9-CT2	\$2,279	16.27	1.00	102	RF
	1800 / 1200	182/4T	575 V	BA4/6N001-5-CT2	\$2,279	16.27	1.00	102	RF
1.5 / 1	1800 / 1200	182/4T	460 V	BA4/6N1.5-9-CT2	\$2,439	16.27	1.00	102	RF
	1800 / 1200	182/4T	575 V	BA4/6N1.5-5-CT2	\$2,439	16.27	1.00	102	RF
2 / 1.3	1800 / 1200	182/4T	460 V	BA4/6N002-9-CT2	\$2,439	16.27	1.00	102	RF
	1800 / 1200	182/4T	575 V	BA4/6N002-5-CT2	\$2,439	16.27	1.00	102	RF
3 / 2	1800 / 1200	213/5T	460 V	BA4/6N003-9-CT2	\$3,027	19.30	1.00	150	RF
	1800 / 1200	213/5T	575 V	BA4/6N003-5-CT2	\$3,027	19.30	1.00	150	RF
5 / 3.3	1800 / 1200	213/5T	460 V	BA4/6N005-9-CT2	\$3,730	19.30	1.00	150	RF
	1800 / 1200	213/5T	575 V	BA4/6N005-5-CT2	\$3,730	19.30	1.00	150	RF
7.5 / 5	1800 / 1200	254/6T	460 V	BA4/6N7.5-9-CT2	\$4,755	23.44	1.00	280	RF
	1800 / 1200	254/6T	575 V	BA4/6N7.5-5-CT2	\$4,755	23.44	1.00	280	RF
10 / 6.7	1800 / 1200	254/6T	460 V	BA4/6N010-9-CT2	\$5,636	23.44	1.00	280	RF
	1800 / 1200	254/6T	575 V	BA4/6N010-5-CT2	\$5,636	23.44	1.00	280	RF
15 / 10	1800 / 1200	284/6T	460 V	BA4/6N015-9-CT2	\$6,329	26.34	1.00	368	RF
	1800 / 1200	284/6T	575 V	BA4/6N015-5-CT2	\$6,329	26.34	1.00	368	RF
20 / 13	1800 / 1200	284/6T	460 V	BA4/6N020-9-CT2	\$7,569	26.34	1.00	368	RF
	1800 / 1200	284/6T	575 V	BA4/6N020-5-CT2	\$7,569	26.34	1.00	368	RF

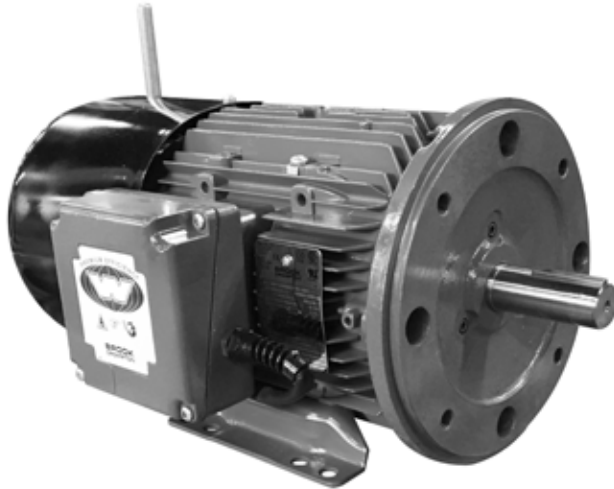
HP	RPM	Frame	Voltage	P/N	List	C Dim. (IN)	S.F. 60 Hz	LBS	Notes
<b>Cast Iron Frames</b>									
25 / 17	1800 / 1200	324T	460 V	BC4/6N025-9-CT2	\$9,767	32.75	1.00	650	RF
	1800 / 1200	324T	575 V	BC4/6N025-5-CT2	\$9,767	32.75	1.00	650	RF
30 / 20	1800 / 1200	326T	460 V	BC4/6N030-9-CT2	\$12,492	34.25	1.00	765	RF
	1800 / 1200	326T	575 V	BC4/6N030-5-CT2	\$12,492	34.25	1.00	765	RF
40 / 27	1800 / 1200	364T	460 V	BC4/6N040-9-CT2	\$13,821	36.38	1.00	914	RF
	1800 / 1200	364T	575 V	BC4/6N040-5-CT2	\$13,821	36.38	1.00	914	RF
50 / 33	1800 / 1200	365T	460 V	BC4/6N050-9-CT2	\$16,593	38.50	1.00	1050	RF
	1800 / 1200	365T	575 V	BC4/6N050-5-CT2	\$16,593	38.50	1.00	1050	RF
60 / 40	1800 / 1200	405T	460 V	BC4/6N060-9-CT2	\$20,110	44	1.00	1384	RF
	1800 / 1200	405T	575 V	BC4/6N060-5-CT2	\$20,110	44	1.00	1384	RF
75 / 50	1800 / 1200	444T	460 V	BC4/6N075-9-CT2	\$26,264	47	1.00	1512	RF
	1800 / 1200	444T	575 V	BC4/6N075-5-CT2	\$26,264	47	1.00	1512	RF
100 / 67	1800 / 1200	445T	460 V	BC4/6N100-9-CT2	\$30,962	49.63	1.00	1896	RF
	1800 / 1200	445T	575 V	BC4/6N100-5-CT2	\$30,962	49.63	1.00	1896	RF
125 / 63	1800 / 1200	504Z	460 V	BC4/6N125-9-CT2	\$40,342	51.63	1.00	2354	RF
	1800 / 1200	504Z	575 V	BC4/6N125-5-CT2	\$40,342	51.63	1.00	2354	RF

Discount Category **19**

Custom Voltages Available. Please Contact Brook Crompton For Pricing.

Single Phase  
 Fractional 5/6/5/6C  
 NEMA Aluminum  
 NEMA Cast Iron  
 NEMA Explosion Proof  
 Close Coupled Pump Motor  
 NEMA 2 Speed Motor  
 NEMA Brake Motor

Single Phase
Fractional 56/56C
NEMA Aluminum
NEMA Cast Iron
NEMA Explosion Proof
Close Coupled Pump Motor
NEMA 2 Speed Motor
NEMA Brake Motor



Three Phase Brake Motors With Lightweight High Performance Cast Aluminum Frames. Features Include:

- 1.25 service factor at 60Hz, 1.0 service factor at 50Hz
- Class F insulation with class B rise
- Removable/ repositionable feet for easy conversion to F1, F2, F3 (F0), or round body configuration
- Motor: IP55 degree of protection for washdown duty enclosure
- Full contact shaft seals inside both brackets for increased protection against contaminants
- Brake: IP23 degree of protection
- AC brake mounted to non-drive end of motor
- Brake is spring applied, power release
- Dual rated 60/50Hz at same HP
- Cast Aluminum conduit box with drilled and tapped entry is rotatable in 90 degree increments
- CSA approved for Class I; Division 2; Groups A, B, C & D, Zone 2; Groups IIA & IIB T3 on sine wave power
- Internal tropicproof



**Notes:**  
RF - Removable Feet

# W Series Brake Motor NEMA 56-286T - TEFC Foot Mounted - Cast Aluminum



HP	RPM	Frame	Voltage	P/N	List	Brake Ft. Lbs	FL Eff.	C Dim. (IN)	S.F. 60 Hz	FL Amps	LBS	Notes
0.5	1800	56	230/460 V	BF4N.50-2BRK	\$1,599	6	68	15.04	1.25	0.98	23	RF
	1800	56	575 V	BF4N.50-5BRK	\$1,599	6	68	15.04	1.25	0.78	23	RF
	1200	56	230/460 V	BF6N.50-2BRK	\$1,706	6	74	15.04	1.25	0.90	23	RF
	1200	56	575 V	BF6N.50-5BRK	\$1,706	6	74	15.04	1.25	0.72	23	RF
0.75	3600	56	230/460 V	BF2N.75-2BRK	\$1,633	6	75	15.04	1.25	1.15	25	RF
	3600	56	575 V	BF2N.75-5BRK	\$1,633	6	75	15.04	1.25	0.92	25	RF
	1800	56	230/460 V	BF4N.75-2BRK	\$1,611	6	75.5	15.04	1.25	1.28	25	RF
	1800	56	575 V	BF4N.75-5BRK	\$1,611	6	75.5	15.04	1.25	1.02	25	RF
	1200	56	230/460 V	BF6N.75-2BRK	\$1,742	6	72.5	15.04	1.25	1.37	25	RF
	1200	56	575 V	BF6N.75-5BRK	\$1,742	6	72.5	15.04	1.25	1.09	25	RF
1	3600	56	230/460 V	BF2N001-2BRK	\$1,669	6	75	15.04	1.25	1.52	29	RF
	3600	56	575 V	BF2N001-5BRK	\$1,669	6	75	15.04	1.25	1.21	29	RF
	1800	56	230/460 V	BF4N001-2BRK	\$1,626	6	73	15.04	1.25	1.68	29	RF
	1800	56	575 V	BF4N001-5BRK	\$1,626	6	73	15.04	1.25	1.34	29	RF
	1800	143/5T	230/460 V	BA4N001-4BRK	\$2,012	11	85.5	17.68	1.25	1.40	47	RF
	1800	143/5T	575 V	BA4N001-5BRK	\$2,012	11	85.5	17.68	1.25	1.12	47	RF
1.5	3600	56	230/460 V	BF2N1.5-2BRK	\$1,709	6	77	15.04	1.25	2.11	29	RF
	3600	56	575 V	BF2N1.5-5BRK	\$1,709	6	77	15.04	1.25	1.69	29	RF
	1800	56	230/460 V	BF4N1.5-2BRK	\$1,642	6	75	15.04	1.25	2.39	29	RF
	1800	56	575 V	BF4N1.5-5BRK	\$1,642	6	75	15.04	1.25	1.91	29	RF
	3600	143/5T	230/460 V	BA2N1.5-4BRK	\$2,037	11	84	17.68	1.25	1.90	47	RF
	3600	143/5T	575 V	BA2N1.5-5BRK	\$2,037	11	84	17.68	1.25	1.52	47	RF
	1800	143/5T	230/460 V	BA4N1.5-4BRK	\$2,053	11	86.5	17.68	1.25	2.10	49	RF
	1800	143/5T	575 V	BA4N1.5-5BRK	\$2,053	11	86.5	17.68	1.25	1.68	49	RF
2	3600	143/5T	230/460 V	BA2N002-4BRK	\$2,089	27.7	85.5	17.68	1.25	2.60	49	RF
	3600	143/5T	575 V	BA2N002-5BRK	\$2,089	27.7	85.5	17.68	1.25	2.08	49	RF
	1800	143/5T	230/460 V	BA4N002-4BRK	\$2,088	11	86.5	17.68	1.25	2.90	49	RF
	1800	143/5T	575 V	BA4N002-5BRK	\$2,088	11	86.5	17.68	1.25	2.32	49	RF
3	3600	182/4T	230/460 V	BA2N003-4BRK	\$2,588	27.7	86.5	18.93	1.25	3.50	102	RF
	3600	182/4T	575 V	BA2N003-5BRK	\$2,588	27.7	86.5	18.93	1.25	2.80	102	RF
	1800	182/4T	230/460 V	BA4N003-4BRK	\$2,595	27.7	89.5	18.93	1.25	3.90	102	RF
	1800	182/4T	575 V	BA4N003-5BRK	\$2,595	27.7	89.5	18.93	1.25	3.12	102	RF
5	3600	182/4T	230/460 V	BA2N005-4BRK	\$2,657	27.7	88.5	19.77	1.25	5.80	114	RF
	3600	182/4T	575 V	BA2N005-5BRK	\$2,657	27.7	88.5	19.77	1.25	4.64	114	RF
	1800	182/4T	230/460 V	BA4N005-4BRK	\$2,603	27.7	89.5	19.77	1.25	6.50	114	RF
	1800	182/4T	575 V	BA4N005-5BRK	\$2,603	27.7	89.5	19.77	1.25	5.20	114	RF
7.5	3600	213/5T	230/460 V	BA2N7.5-4BRK	\$3,204	59.9	89.5	23.80	1.25	8.40	145	RF
	3600	213/5T	575 V	BA2N7.5-5BRK	\$3,204	59.9	89.5	23.80	1.25	6.72	145	RF
	1800	213/5T	230/460 V	BA4N7.5-4BRK	\$3,251	59.9	91.7	23.80	1.25	9.80	145	RF
	1800	213/5T	575 V	BA4N7.5-5BRK	\$3,251	59.9	91.7	23.80	1.25	7.84	145	RF
10	3600	213/5T	230/460 V	BA2N010-4BRK	\$3,460	59.9	90.2	23.80	1.25	11.60	165	RF
	3600	213/5T	575 V	BA2N010-5BRK	\$3,460	59.9	90.2	23.80	1.25	9.28	165	RF
	1800	213/5T	230/460 V	BA4N010-4BRK	\$3,480	59.9	91.7	23.80	1.25	13.20	165	RF
	1800	213/5T	575 V	BA4N010-5BRK	\$3,480	59.9	91.7	23.80	1.25	10.56	165	RF

Discount Category **15**

230/460V motors supplied with 230V coil. 460V coil is available with “-9BRK” suffix.

254T - 286T frame brake motors available. Contact Brook Crompton for pricing and availability.

Single Phase

Fractional 56/56C

NEMA Aluminum

NEMA Cast Iron

NEMA Explosion Proof

Close Coupled Pump Motor

NEMA 2 Speed Motor

NEMA Brake Motor

**W Series Brake Motor NEMA 56-286T - TEFC  
C-Face With Removable Feet - Cast Aluminum**

	HP	RPM	Frame	Voltage	P/N	List	Brake Ft. Lbs	FL Eff.	C Dim. (IN)	S.F. 60 Hz	FL Amps	LBS	Notes
Single Phase	0.5	1800	56C	230/460 V	BF4N.50-2CBRK	\$1,639	6	68	15.04	1.25	0.98	29	RF
		1800	56C	575 V	BF4N.50-5CBRK	\$1,639	6	68	15.04	1.25	0.78	29	RF
		1200	56C	230/460 V	BF6N.50-2CBRK	\$1,746	6	74	15.04	1.25	0.90	29	RF
		1200	56C	575 V	BF6N.50-5CBRK	\$1,746	6	74	15.04	1.25	0.72	29	RF
Fractional 56/56C	0.75	3600	56C	230/460 V	BF2N.75-2CBRK	\$1,673	6	75	15.04	1.25	1.15	31	RF
		3600	56C	575 V	BF2N.75-5CBRK	\$1,673	6	75	15.04	1.25	0.92	31	RF
		1800	56C	230/460 V	BF4N.75-2CBRK	\$1,651	6	75.5	15.04	1.25	1.28	31	RF
		1800	56C	575 V	BF4N.75-5CBRK	\$1,651	6	75.5	15.04	1.25	1.02	31	RF
		1200	56C	230/460 V	BF6N.75-2CBRK	\$1,782	6	72.5	15.04	1.25	1.37	31	RF
		1200	56C	575 V	BF6N.75-5CBRK	\$1,782	6	72.5	15.04	1.25	1.09	31	RF
NEMA Aluminum	1	3600	56C	230/460 V	BF2N001-2CBRK	\$1,709	6	75	15.04	1.25	1.52	33	RF
		3600	56C	575 V	BF2N001-5CBRK	\$1,709	6	75	15.04	1.25	1.21	33	RF
		1800	56C	230/460 V	BF4N001-2CBRK	\$1,666	6	73	15.04	1.25	1.68	33	RF
		1800	56C	575 V	BF4N001-5CBRK	\$1,666	6	73	15.04	1.25	1.34	33	RF
		1800	143/5TC	230/460 V	BA4N001-4CBRK	\$2,057	11	85.5	17.68	1.25	1.40	57	RF
		1800	143/5TC	575 V	BA4N001-5CBRK	\$2,057	11	85.5	17.68	1.25	1.12	57	RF
NEMA Cast Iron	1.5	3600	56C	230/460 V	BF2N1.5-2CBRK	\$1,749	6	77	15.04	1.25	2.11	33	RF
		3600	56C	575 V	BF2N1.5-5CBRK	\$1,749	6	77	15.04	1.25	1.69	33	RF
		1800	56C	230/460 V	BF4N1.5-2CBRK	\$1,682	6	75	15.04	1.25	2.39	33	RF
		1800	56C	575 V	BF4N1.5-5CBRK	\$1,682	6	75	15.04	1.25	1.91	33	RF
		3600	143/5TC	230/460 V	BA2N1.5-4CBRK	\$2,082	11	84	17.68	1.25	1.90	57	RF
		3600	143/5TC	575 V	BA2N1.5-5CBRK	\$2,082	11	84	17.68	1.25	1.52	57	RF
		1800	143/5TC	230/460 V	BA4N1.5-4CBRK	\$2,098	11	86.5	17.68	1.25	2.10	59	RF
		1800	143/5TC	575 V	BA4N1.5-5CBRK	\$2,098	11	86.5	17.68	1.25	1.68	59	RF
NEMA Explosion Proof	2	3600	143/5TC	230/460 V	BA2N002-4CBRK	\$2,134	27.7	85.5	17.68	1.25	2.60	59	RF
		3600	143/5TC	575 V	BA2N002-5CBRK	\$2,134	27.7	85.5	17.68	1.25	2.08	59	RF
		1800	143/5TC	230/460 V	BA4N002-4CBRK	\$2,133	11	86.5	17.68	1.25	2.90	59	RF
		1800	143/5TC	575 V	BA4N002-5CBRK	\$2,133	11	86.5	17.68	1.25	2.32	59	RF
Close Coupled Pump Motor	3	3600	182/4TC	230/460 V	BA2N003-4CBRK	\$2,653	27.7	86.5	18.93	1.25	3.50	112	RF
		3600	182/4TC	575 V	BA2N003-5CBRK	\$2,653	27.7	86.5	18.93	1.25	2.80	112	RF
		1800	182/4TC	230/460 V	BA4N003-4CBRK	\$2,660	27.7	89.5	18.93	1.25	3.90	112	RF
		1800	182/4TC	575 V	BA4N003-5CBRK	\$2,660	27.7	89.5	18.93	1.25	3.12	112	RF
NEMA 2 Speed Motor	5	3600	182/4TC	230/460 V	BA2N005-4CBRK	\$2,722	27.7	88.5	19.77	1.25	5.80	124	RF
		3600	182/4TC	575 V	BA2N005-5CBRK	\$2,722	27.7	88.5	19.77	1.25	4.64	124	RF
		1800	182/4TC	230/460 V	BA4N005-4CBRK	\$2,668	27.7	89.5	19.77	1.25	6.50	124	RF
		1800	182/4TC	575 V	BA4N005-5CBRK	\$2,668	27.7	89.5	19.77	1.25	5.20	124	RF
NEMA Brake Motor	7.5	3600	213/5TC	230/460 V	BA2N7.5-4CBRK	\$3,304	59.9	89.5	23.80	1.25	8.40	157	RF
		3600	213/5TC	575 V	BA2N7.5-5CBRK	\$3,304	59.9	89.5	23.80	1.25	6.72	157	RF
		1800	213/5TC	230/460 V	BA4N7.5-4CBRK	\$3,351	59.9	91.7	23.80	1.25	9.80	157	RF
		1800	213/5TC	575 V	BA4N7.5-5CBRK	\$3,351	59.9	91.7	23.80	1.25	7.84	157	RF
	10	3600	213/5TC	230 V	BA2N010-4CBRK	\$3,560	59.9	90.2	23.80	1.25	11.60	177	RF
		3600	213/5TC	575 V	BA2N010-5CBRK	\$3,560	59.9	90.2	23.80	1.25	9.28	177	RF
		1800	213/5TC	230 V	BA4N010-4CBRK	\$3,580	59.9	91.7	23.80	1.25	13.20	177	RF
		1800	213/5TC	575 V	BA4N010-5CBRK	\$3,580	59.9	91.7	23.80	1.25	10.56	177	RF

Discount Category **15**

230/460V motors supplied with 230V coil. 460V coil is available with “-9BRK” suffix.

D-Flange mounted motors also available at same price as C-Face mounted motors.  
Change from “CBRK” to “DBRK” at end of part number.

254T - 286T frame brake motors available. Contact Brook Crompton for pricing and availability.

**W Series IEC 63-180L, 3 Phase - TEFC**  
**Cast Aluminum Construction**



Lightweight High Performance Cast Aluminum Frames. Features Include:

- NEMA MG1-Part 31 inverter duty 15:1 constant torque, 20:1 variable torque
- 1.25 service factor at 60Hz, 1.0 service factor at 50Hz
- Class F insulation with class B temperature rise
- IP55 degree of protection for washdown duty enclosure
- Full contact shaft seals inside both brackets for increased protection against contaminants
- Removable/ repositionable feet for easy conversion to terminal box on top, left, right, or round body configuration
- IEC style terminal blocks included inside junction box
- Meets IEC 60034 electrical performance and IEC 60072 dimensional standards
- Dual rated 60/50Hz at same HP
- Cast aluminum conduit box with drilled and tapped entry is rotatable in 90 degree increments
- CSA approved for Class I; Division 2; Groups A, B, C & D, Zone 2; Groups IIA & IIB T3 on sine wave power
- Internal tropicproof
- Thermistors included in motors 160M and above. 1 per phase
- 3 year warranty

**Notes:**

**RF** - Removable Feet

**TM** - Thermistors

**EU** - Euronorm Dimensions

IEC/Metric  
Aluminum

IEC/Metric  
Cast Iron

ATEX EEXD IIB  
Explosion Proof

ATEX EEXDE IIC  
Explosion Proof

ATEX EEXNA  
Non-Sparking

IEC/Metric  
Brake Motor



IEC/Metric  
Aluminum

IEC/Metric  
Cast Iron

ATEX EEXD IIB  
Explosion Proof

ATEX EEXDE IIC  
Explosion Proof

ATEX EEXNA  
Non-Sparking

IEC/Metric  
Brake Motor

HP	Kw	RPM	Frame	Voltage	P/N	List	FL Eff.	L Dim. (mm)	S.F. 60 Hz	FL Amps	LBS	Notes
0.25	0.18	3600	63	230/460 V	BA2M.25-4	\$202	64	207	1.25	0.60	10	RF, EU
		3600	63	575 V	BA2M.25-5	\$202	64	207	1.25	0.40	10	RF, EU
		1800	63	230/460 V	BA4M.25-4	\$212	58	207	1.25	0.80	10	RF, EU
		1800	63	575 V	BA4M.25-5	\$212	58	207	1.25	0.60	10	RF, EU
		1200	71	230/460 V	BA6M.25-4	\$261	61	238	1.25	0.80	16	RF, EU
		1200	71	575 V	BA6M.25-5	\$261	61	238	1.25	0.60	16	RF, EU
		900	80	230/460 V	BA8M.25-4	\$371	57	278	1.25	0.87	22	RF, EU
		900	80	575 V	BA8M.25-5	\$371	57	278	1.25	0.70	22	RF, EU
0.33	0.25	3600	63	230/460 V	BA2M.33-4	\$213	65	207	1.25	0.60	10	RF, EU
		3600	63	575 V	BA2M.33-5	\$213	65	207	1.25	0.50	10	RF, EU
		1800	71	230/460 V	BA4M.33-4	\$259	70	238	1.25	0.70	16	RF, EU
		1800	71	575 V	BA4M.33-5	\$259	70	238	1.25	0.60	16	RF, EU
		1200	71	230/460 V	BA6M.33-4	\$276	68	238	1.25	0.70	16	RF, EU
		1200	71	575 V	BA6M.33-5	\$276	68	238	1.25	0.60	16	RF, EU
		900	80	230/460 V	BA8M.33-4	\$427	62	278	1.25	0.75	22	RF, EU
		900	80	575 V	BA8M.33-5	\$427	62	278	1.25	0.60	22	RF, EU
0.50	0.37	3600	71	230/460 V	BA2M.50-4	\$256	71	238	1.25	0.90	16	RF, EU
		3600	71	575 V	BA2M.50-5	\$256	71	238	1.25	0.70	16	RF, EU
		1800	71	230/460 V	BA4M.50-4	\$277	73	238	1.25	1.00	16	RF, EU
		1800	71	575 V	BA4M.50-5	\$277	73	238	1.25	0.80	16	RF, EU
		1200	80	230/460 V	BA6M.50-4	\$343	65	278	1.25	1.10	22	RF, EU
		1200	80	575 V	BA6M.50-5	\$343	65	278	1.25	0.90	22	RF, EU
		900	90S/L	230/460 V	BA8M.50-4	\$474	62	364	1.25	1.38	28	RF, EU
		900	90S/L	575 V	BA8M.50-5	\$474	62	364	1.25	1.10	28	RF, EU
0.75	0.55	3600	71	230/460 V	BA2M.75-4	\$273	74	238	1.25	1.20	18	RF, EU
		3600	71	575 V	BA2M.75-5	\$273	74	238	1.25	1.00	18	RF, EU
		1800	80	230/460 V	BA4M.75-4	\$340	77	278	1.25	1.40	24	RF, EU
		1800	80	575 V	BA4M.75-5	\$340	77	278	1.25	1.10	24	RF, EU
		1200	80	230/460 V	BA6M.75-4	\$372	71	278	1.25	1.50	24	RF, EU
		1200	80	575 V	BA6M.75-5	\$372	71	278	1.25	1.20	24	RF, EU
		900	90S/L	230/460 V	BA8M.75-4	\$544	66	364	1.25	1.82	28	RF, EU
		900	90S/L	575 V	BA8M.75-5	\$544	66	364	1.25	1.46	28	RF, EU
1	0.75	3600	80	230/460 V	BA2M001-4	\$397	78	278	1.25	1.60	28	RF, EU
		3600	80	575 V	BA2M001-5	\$397	78	278	1.25	1.30	28	RF, EU
		1800	80	230/460 V	BA4M001-4	\$401	77	278	1.25	1.80	28	RF, EU
		1800	80	575 V	BA4M001-5	\$401	77	278	1.25	1.40	28	RF, EU
		1200	90S	230/460 V	PA6M001-2	\$566	80	325	1.25	1.90	28	RF, EU
		1200	90S	575 V	PA6M001-5	\$566	80	325	1.25	1.50	28	RF, EU
1.5	1.1	3600	80	230/460 V	BA2M1.5-4	\$453	79	278	1.25	2.30	28	RF, EU
		3600	80	575 V	BA2M1.5-5	\$453	79	278	1.25	1.80	28	RF, EU
		1800	90S/L	230/460 V	BA4M1.5-4	\$549	86.5	364	1.25	2.10	42	RF, EU
		1800	90S/L	575 V	BA4M1.5-5	\$549	86.5	364	1.25	1.60	42	RF, EU
2	1.5	3600	90S/L	230/460 V	BA2M002-4	\$568	85.5	364	1.25	2.60	42	RF, EU
		3600	90S/L	575 V	BA2M002-5	\$568	85.5	364	1.25	2.00	42	RF, EU
		1800	90S/L	230/460 V	BA4M002-4	\$624	86.5	364	1.25	2.90	46	RF, EU
		1800	90S/L	575 V	BA4M002-5	\$624	86.5	364	1.25	2.30	46	RF, EU
		1200	100L	230/460 V	PA6M002-2	\$797	88.5	388	1.25	3.00	85	RF, EU
		1200	100L	575 V	PA6M002-5	\$797	88.5	388	1.25	2.40	85	RF, EU
3	2.2	3600	90S/L	230/460 V	BA2M003-4	\$642	86.5	364	1.25	3.50	42	RF, EU
		3600	90S/L	575 V	BA2M003-5	\$642	86.5	364	1.25	2.80	42	RF, EU
		1800	100L	230/460 V	BA4M003-4	\$768	89.5	409	1.25	3.90	85	RF, EU
		1800	100L	575 V	BA4M003-5	\$768	89.5	409	1.25	3.10	85	RF, EU
		1200	112M	230/460 V	PA6M003-2	\$1,041	89.5	405	1.25	4.20	150	RF, EU
		1200	112M	575 V	PA6M003-5	\$1,041	89.5	405	1.25	3.40	150	RF, EU

Discount Category **17**

**W Series IEC 63-180L, 3 Phase - TEFC  
B3 (Foot Mount) - Cast Aluminum**



HP	Kw	RPM	Frame	Voltage	P/N	List	FL Eff.	L Dim. (mm)	S.F. 60 Hz	FL Amps	LBS	Notes
4	3	3600	100L	230/460 V	BA2M004-4	\$831	88.5	409	1.25	4.90	85	RF, EU
		3600	100L	575 V	BA2M004-5	\$831	88.5	409	1.25	3.90	85	RF, EU
		1800	100L	230/460 V	BA4M004-4	\$840	89.5	409	1.25	5.50	85	RF, EU
		1800	100L	575 V	BA4M004-5	\$840	89.5	409	1.25	4.40	85	RF, EU
		1200	132S	230/460 V	PA6M004-2	\$1,333	89.5	459	1.25	6.10	150	RF, EU
		1200	132S	575 V	PA6M004-5	\$1,333	89.5	459	1.25	4.80	150	RF, EU
5.5	4	3600	112M	230/460 V	BA2M5.5-4	\$965	88.5	402	1.25	5.90	100	RF, EU
		3600	112M	575 V	BA2M5.5-5	\$965	88.5	402	1.25	4.70	100	RF, EU
		1800	112M	230/460 V	BA4M5.5-4	\$957	89.5	402	1.25	6.20	100	RF, EU
		1800	112M	575 V	BA4M5.5-5	\$957	89.5	402	1.25	5.00	100	RF, EU
		1200	132M	230/460 V	PA6M5.5-2	\$1,570	89.5	497	1.25	7.10	150	RF, EU
		1200	132M	575 V	PA6M5.5-5	\$1,570	89.5	497	1.25	5.70	150	RF, EU
7.5	5.5	3600	132S/M	230/460 V	BA2M7.5-4	\$1,248	89.5	484	1.25	8.40	130	RF, EU
		3600	132S/M	575 V	BA2M7.5-5	\$1,248	89.5	484	1.25	6.70	130	RF, EU
		1800	132S/M	230/460 V	BA4M7.5-4	\$1,348	91.7	484	1.25	9.80	130	RF, EU
		1800	132S/M	575 V	BA4M7.5-5	\$1,348	91.7	484	1.25	7.80	130	RF, EU
		1200	132S/M	230/460 V	BA6M7.5-4	\$1,789	91	484	1.25	10.60	150	RF, EU
		1200	132S/M	575 V	BA6M7.5-5	\$1,789	91	484	1.25	8.50	150	RF, EU
10	7.5	3600	132S/M	230/460 V	BA2M010-4	\$1,366	90.2	484	1.25	11.60	130	RF, EU
		3600	132S/M	575 V	BA2M010-5	\$1,366	90.2	484	1.25	9.20	130	RF, EU
		1800	132S/M	230/460 V	BA4M010-4	\$1,694	91.7	484	1.25	13.20	150	RF, EU
		1800	132S/M	575 V	BA4M010-5	\$1,694	91.7	484	1.25	10.50	150	RF, EU
		1200	160M/L	230/460 V	BA6M010-4	\$2,453	91	604	1.25	14.10	252	RF, EU, TM
		1200	160M/L	575 V	BA6M010-5	\$2,453	91	604	1.25	17.70	252	RF, EU, TM
15	11	3600	160M/L	230/460 V	BA2M015-4	\$2,295	91	604	1.25	17.00	252	RF, EU, TM
		3600	160M/L	575 V	BA2M015-5	\$2,295	91	604	1.25	13.60	252	RF, EU, TM
		1800	160M/L	230/460 V	BA4M015-4	\$2,399	92.4	604	1.25	17.80	252	RF, EU, TM
		1800	160M/L	575 V	BA4M015-5	\$2,399	92.4	604	1.25	14.20	252	RF, EU, TM
		1200	160M/L	230/460 V	BA6M015-4	\$3,161	91.7	604	1.25	19.30	280	RF, EU, TM
		1200	160M/L	575 V	BA6M015-5	\$3,161	91.7	604	1.25	15.40	280	RF, EU, TM
20	15	3600	160M/L	230/460 V	BA2M020-4	\$2,574	91	604	1.25	22.20	252	RF, EU, TM
		3600	160M/L	575 V	BA2M020-5	\$2,574	91	604	1.25	17.70	252	RF, EU, TM
		1800	160M/L	230/460 V	BA4M020-4	\$2,950	93	604	1.25	23.30	280	RF, EU, TM
		1800	160M/L	575 V	BA4M020-5	\$2,950	93	604	1.25	18.60	280	RF, EU, TM
		1200	180M/L	230/460 V	BA6M020-4	\$3,732	91.7	663	1.25	25.70	368	RF, EU, TM
		1200	180M/L	575 V	BA6M020-5	\$3,732	91.7	663	1.25	20.60	368	RF, EU, TM
25	18.5	3600	160M/L	230/460 V	BA2M025-4	\$2,931	91.7	604	1.25	27.20	280	RF, EU, TM
		3600	160M/L	575 V	BA2M025-5	\$2,931	91.7	604	1.25	21.76	280	RF, EU, TM
		1800	180M/L	230/460 V	BA4M025-4	\$3,324	93.6	663	1.25	27.90	315	RF, EU, TM
		1800	180M/L	575 V	BA4M025-5	\$3,324	93.6	663	1.25	22.32	315	RF, EU, TM
30	22	3600	180M/L	230/460 V	BA2M030-4	\$3,778	91.7	663	1.25	32.40	315	RF, EU, TM
		3600	180M/L	575 V	BA2M030-5	\$3,778	91.7	663	1.25	25.92	315	RF, EU, TM
		1800	180M/L	230/460 V	BA4M030-4	\$4,334	93.6	663	1.25	33.90	368	RF, EU, TM
		1800	180M/L	575 V	BA4M030-5	\$4,334	93.6	663	1.25	27.12	368	RF, EU, TM

Discount Category **17**

IEC/Metric  
Aluminum

IEC/Metric  
Cast Iron

ATEX EEXD IIB  
Explosion Proof

ATEX EEXDE IIC  
Explosion Proof

ATEX EEXNA  
Non-Sparking

IEC/Metric  
Brake Motor

IEC/Metric Aluminum

IEC/Metric Cast Iron

ATEX EEXD IIB Explosion Proof

ATEX EEXDE IIC Explosion Proof

ATEX EEXNA Non-Sparking

IEC/Metric Brake Motor

HP	Kw	RPM	Frame	Voltage	P/N	List	FL Eff.	L Dim. (mm)	S.F. 60 Hz	FL Amps	LBS	Notes
0.25	0.18	3600	63	230/460 V	BA2M.25-4C	\$242	64	207	1.25	0.60	14	RF, EU
		3600	63	575 V	BA2M.25-5C	\$242	64	207	1.25	0.40	14	RF, EU
		1800	63	230/460 V	BA4M.25-4C	\$252	58	207	1.25	0.80	14	RF, EU
		1800	63	575 V	BA4M.25-5C	\$252	58	207	1.25	0.60	14	RF, EU
		1200	71	230/460 V	BA6M.25-4C	\$301	61	238	1.25	0.80	20	RF, EU
		1200	71	575 V	BA6M.25-5C	\$301	61	238	1.25	0.60	20	RF, EU
		900	80	230/460 V	BA8M.25-4C	\$416	57	278	1.25	0.87	26	RF, EU
		900	80	575 V	BA8M.25-5C	\$416	57	278	1.25	0.70	26	RF, EU
0.33	0.25	3600	63	230/460 V	BA2M.33-4C	\$253	65	207	1.25	0.60	14	RF, EU
		3600	63	575 V	BA2M.33-5C	\$253	65	207	1.25	0.50	14	RF, EU
		1800	71	230/460 V	BA4M.33-4C	\$299	70	238	1.25	0.70	20	RF, EU
		1800	71	575 V	BA4M.33-5C	\$299	70	238	1.25	0.60	20	RF, EU
		1200	71	230/460 V	BA6M.33-4C	\$316	68	238	1.25	0.70	20	RF, EU
		1200	71	575 V	BA6M.33-5C	\$316	68	238	1.25	0.60	20	RF, EU
		900	80	230/460 V	BA8M.33-4C	\$472	62	278	1.25	0.75	26	RF, EU
		900	80	575 V	BA8M.33-5C	\$472	62	278	1.25	0.60	26	RF, EU
0.50	0.37	3600	71	230/460 V	BA2M.50-4C	\$296	71	238	1.25	0.90	20	RF, EU
		3600	71	575 V	BA2M.50-5C	\$296	71	238	1.25	0.70	20	RF, EU
		1800	71	230/460 V	BA4M.50-4C	\$317	73	238	1.25	1.00	20	RF, EU
		1800	71	575 V	BA4M.50-5C	\$317	73	238	1.25	0.80	20	RF, EU
		1200	80	230/460 V	BA6M.50-4C	\$388	65	278	1.25	1.10	26	RF, EU
		1200	80	575 V	BA6M.50-5C	\$388	65	278	1.25	0.90	26	RF, EU
		900	90S/L	230/460 V	BA8M.50-4C	\$524	62	364	1.25	1.38	32	RF, EU
		900	90S/L	575 V	BA8M.50-5C	\$524	62	364	1.25	1.10	32	RF, EU
0.75	0.55	3600	71	230/460 V	BA2M.75-4C	\$318	74	238	1.25	1.20	20	RF, EU
		3600	71	575 V	BA2M.75-5C	\$318	74	238	1.25	1.00	20	RF, EU
		1800	80	230/460 V	BA4M.75-4C	\$385	77	278	1.25	1.40	28	RF, EU
		1800	80	575 V	BA4M.75-5C	\$385	77	278	1.25	1.10	28	RF, EU
		1200	80	230/460 V	BA6M.75-4C	\$417	71	278	1.25	1.50	28	RF, EU
		1200	80	575 V	BA6M.75-5C	\$417	71	278	1.25	1.20	28	RF, EU
		900	90S/L	230/460 V	BA8M.75-4C	\$594	66	364	1.25	1.82	32	RF, EU
		900	90S/L	575 V	BA8M.75-5C	\$594	66	364	1.25	1.46	32	RF, EU
1	0.75	3600	80	230/460 V	BA2M001-4C	\$442	78	278	1.25	1.60	32	RF, EU
		3600	80	575 V	BA2M001-5C	\$442	78	278	1.25	1.30	32	RF, EU
		1800	80	230/460 V	BA4M001-4C	\$446	77	278	1.25	1.80	32	RF, EU
		1800	80	575 V	BA4M001-5C	\$446	77	278	1.25	1.40	32	RF, EU
		1200	90S	230/460 V	PA6M001-2C	\$616	80	325	1.25	1.90	32	RF, EU
		1200	90S	575 V	PA6M001-5C	\$616	80	325	1.25	1.50	32	RF, EU
1.5	1.1	3600	80	230/460 V	BA2M1.5-4C	\$503	79	278	1.25	2.30	32	RF, EU
		3600	80	575 V	BA2M1.5-5C	\$503	79	278	1.25	1.80	32	RF, EU
		1800	90S/L	230/460 V	BA4M1.5-4C	\$599	86.5	364	1.25	2.10	46	RF, EU
		1800	90S/L	575 V	BA4M1.5-5C	\$599	86.5	364	1.25	1.60	46	RF, EU
2	1.5	3600	90S/L	230/460 V	BA2M002-4C	\$618	85.5	364	1.25	2.60	46	RF, EU
		3600	90S/L	575 V	BA2M002-5C	\$618	85.5	364	1.25	2.00	46	RF, EU
		1800	90S/L	230/460 V	BA4M002-4C	\$674	86.5	364	1.25	2.90	50	RF, EU
		1800	90S/L	575 V	BA4M002-5C	\$674	86.5	364	1.25	2.30	50	RF, EU
		1200	100L	230/460 V	PA6M002-2C	\$867	88.5	388	1.25	3.00	92	RF, EU
		1200	100L	575 V	PA6M002-5C	\$867	88.5	388	1.25	2.40	92	RF, EU
3	2.2	3600	90S/L	230/460 V	BA2M003-4C	\$692	86.5	364	1.25	3.50	46	RF, EU
		3600	90S/L	575 V	BA2M003-5C	\$692	86.5	364	1.25	2.80	46	RF, EU
		1800	100L	230/460 V	BA4M003-4C	\$838	89.5	409	1.25	3.90	92	RF, EU
		1800	100L	575 V	BA4M003-5C	\$838	89.5	409	1.25	3.10	92	RF, EU
		1200	112M	230/460 V	PA6M003-2C	\$1,111	89.5	405	1.25	4.20	100	RF, EU
		1200	112M	575 V	PA6M003-5C	\$1,111	89.5	405	1.25	3.40	100	RF, EU

**W Series IEC 63-180L, 3 Phase - TEFC  
B14 (C-Face With B3 Removable Feet) - Cast Aluminum**

HP	Kw	RPM	Frame	Voltage	P/N	List	FL Eff.	L Dim. (mm)	S.F. 60 Hz	FL Amps	LBS	Notes
4	3	3600	100L	230/460 V	BA2M004-4C	\$901	88.5	409	1.25	4.90	60	RF, EU
		3600	100L	575 V	BA2M004-5C	\$901	88.5	409	1.25	3.90	60	RF, EU
		1800	100L	230/460 V	BA4M004-4C	\$910	89.5	409	1.25	5.50	60	RF, EU
		1800	100L	575 V	BA4M004-5C	\$910	89.5	409	1.25	4.40	60	RF, EU
		1200	132S	230/460 V	PA6M004-2C	\$1,458	89.5	459	1.25	6.10	110	RF, EU
		1200	132S	575 V	PA6M004-5C	\$1,458	89.5	459	1.25	4.80	110	RF, EU
5.5	4	3600	112M	230/460 V	BA2M5.5-4C	\$1,045	88.5	402	1.25	5.90	73	RF, EU
		3600	112M	575 V	BA2M5.5-5C	\$1,045	88.5	402	1.25	4.70	73	RF, EU
		1800	112M	230/460 V	BA4M5.5-4C	\$1,037	89.5	402	1.25	6.20	73	RF, EU
		1800	112M	575 V	BA4M5.5-5C	\$1,037	89.5	402	1.25	5.00	73	RF, EU
		1200	132M	230/460 V	PA6M5.5-2C	\$1,695	89.5	497	1.25	7.10	123	RF, EU
		1200	132M	575 V	PA6M5.5-5C	\$1,695	89.5	497	1.25	5.70	123	RF, EU
7.5	5.5	3600	132S/M	230/460 V	BA2M7.5-4C	\$1,373	89.5	484	1.25	8.40	110	RF, EU
		3600	132S/M	575 V	BA2M7.5-5C	\$1,373	89.5	484	1.25	6.70	110	RF, EU
		1800	132S/M	230/460 V	BA4M7.5-4C	\$1,473	91.7	484	1.25	9.80	110	RF, EU
		1800	132S/M	575 V	BA4M7.5-5C	\$1,473	91.7	484	1.25	7.80	110	RF, EU
		1200	132S/M	230/460 V	BA6M7.5-4C	\$1,914	91	484	1.25	10.60	123	RF, EU
		1200	132S/M	575 V	BA6M7.5-5C	\$1,914	91	484	1.25	8.50	123	RF, EU
10	7.5	3600	132S/M	230/460 V	BA2M010-4C	\$1,491	90.2	484	1.25	11.60	110	RF, EU
		3600	132S/M	575 V	BA2M010-5C	\$1,491	90.2	484	1.25	9.20	110	RF, EU
		1800	132S/M	230/460 V	BA4M010-4C	\$1,819	91.7	484	1.25	13.20	123	RF, EU
		1800	132S/M	575 V	BA4M010-5C	\$1,819	91.7	484	1.25	10.50	123	RF, EU
		1200	160M/L	230/460 V	BA6M010-4C	\$2,678	91	604	1.25	14.10	291	RF, EU, TM
		1200	160M/L	575 V	BA6M010-5C	\$2,678	91	604	1.25	17.70	291	RF, EU, TM
15	11	3600	160M/L	230/460 V	BA2M015-4C	\$2,520	91	604	1.25	17.00	221	RF, EU, TM
		3600	160M/L	575 V	BA2M015-5C	\$2,520	91	604	1.25	13.60	221	RF, EU, TM
		1800	160M/L	230/460 V	BA4M015-4C	\$2,624	92.4	604	1.25	17.80	221	RF, EU, TM
		1800	160M/L	575 V	BA4M015-5C	\$2,624	92.4	604	1.25	14.20	221	RF, EU, TM
		1200	160M/L	230/460 V	BA6M015-4C	\$3,386	91.7	604	1.25	19.30	234	RF, EU, TM
		1200	160M/L	575 V	BA6M015-5C	\$3,386	91.7	604	1.25	15.40	234	RF, EU, TM
20	15	3600	160M/L	230/460 V	BA2M020-4C	\$2,799	91	604	1.25	22.20	221	RF, EU, TM
		3600	160M/L	575 V	BA2M020-5C	\$2,799	91	604	1.25	17.70	221	RF, EU, TM
		1800	160M/L	230/460 V	BA4M020-4C	\$3,175	93	604	1.25	23.30	234	RF, EU, TM
		1800	160M/L	575 V	BA4M020-5C	\$3,175	93	604	1.25	18.60	234	RF, EU, TM
25	18.5	3600	160M/L	230/460 V	BA2M025-4C	\$3,156	91.7	604	1.25	27.20	234	RF, EU, TM
		3600	160M/L	575 V	BA2M025-5C	\$3,156	91.7	604	1.25	21.70	234	RF, EU, TM

Discount Category **17**

IEC/Metric  
Aluminum

IEC/Metric  
Cast Iron

ATEX EEXD IIB  
Explosion Proof

ATEX EEXDE IIC  
Explosion Proof

ATEX EEXNA  
Non-Sparking

IEC/Metric  
Brake Motor

IEC/Metric Aluminum

IEC/Metric Cast Iron

ATEX EEXD IIB Explosion Proof

ATEX EEXDE IIC Explosion Proof

ATEX EEXNA Non-Sparking

IEC/Metric Brake Motor

HP	Kw	RPM	Frame	Voltage	P/N	List	FL Eff.	L Dim. (mm)	S.F. 60 Hz	FL Amps	LBS	Notes
0.25	0.18	3600	63	230/460 V	BA2M.25-4D	\$242	64	207	1.25	0.60	14	RF, EU
		3600	63	575 V	BA2M.25-5D	\$242	64	207	1.25	0.40	14	RF, EU
		1800	63	230/460 V	BA4M.25-4D	\$252	58	207	1.25	0.80	14	RF, EU
		1800	63	575 V	BA4M.25-5D	\$252	58	207	1.25	0.60	14	RF, EU
		1200	71	230/460 V	BA6M.25-4D	\$301	61	238	1.25	0.80	20	RF, EU
		1200	71	575 V	BA6M.25-5D	\$301	61	238	1.25	0.60	20	RF, EU
		900	80	230/460 V	BA8M.25-4D	\$416	57	278	1.25	0.87	26	RF, EU
		900	80	575 V	BA8M.25-5D	\$416	57	278	1.25	0.70	26	RF, EU
0.33	0.25	3600	63	230/460 V	BA2M.33-4D	\$253	65	207	1.25	0.60	14	RF, EU
		3600	63	575 V	BA2M.33-5D	\$253	65	207	1.25	0.50	14	RF, EU
		1800	71	230/460 V	BA4M.33-4D	\$299	70	238	1.25	0.70	20	RF, EU
		1800	71	575 V	BA4M.33-5D	\$299	70	238	1.25	0.60	20	RF, EU
		1200	71	230/460 V	BA6M.33-4D	\$316	68	238	1.25	0.70	20	RF, EU
		1200	71	575 V	BA6M.33-5D	\$316	68	238	1.25	0.60	20	RF, EU
		900	80	230/460 V	BA8M.33-4D	\$472	62	278	1.25	0.75	26	RF, EU
		900	80	575 V	BA8M.33-5D	\$472	62	278	1.25	0.60	26	RF, EU
0.50	0.37	3600	71	230/460 V	BA2M.50-4D	\$296	71	238	1.25	0.90	20	RF, EU
		3600	71	575 V	BA2M.50-5D	\$296	71	238	1.25	0.70	20	RF, EU
		1800	71	230/460 V	BA4M.50-4D	\$317	73	238	1.25	1.00	20	RF, EU
		1800	71	575 V	BA4M.50-5D	\$317	73	238	1.25	0.80	20	RF, EU
		1200	80	230/460 V	BA6M.50-4D	\$388	65	278	1.25	1.10	26	RF, EU
		1200	80	575 V	BA6M.50-5D	\$388	65	278	1.25	0.90	26	RF, EU
		900	90S/L	230/460 V	BA8M.50-4D	\$524	62	364	1.25	1.38	32	RF, EU
		900	90S/L	575 V	BA8M.50-5D	\$524	62	364	1.25	1.10	32	RF, EU
0.75	0.55	3600	71	230/460 V	BA2M.75-4D	\$318	74	238	1.25	1.20	20	RF, EU
		3600	71	575 V	BA2M.75-5D	\$318	74	238	1.25	1.00	20	RF, EU
		1800	80	230/460 V	BA4M.75-4D	\$385	77	278	1.25	1.40	28	RF, EU
		1800	80	575 V	BA4M.75-5D	\$385	77	278	1.25	1.10	28	RF, EU
		1200	80	230/460 V	BA6M.75-4D	\$417	71	278	1.25	1.50	28	RF, EU
		1200	80	575 V	BA6M.75-5D	\$417	71	278	1.25	1.20	28	RF, EU
		900	90S/L	230/460 V	BA8M.75-4D	\$594	66	364	1.25	1.82	32	RF, EU
		900	90S/L	575 V	BA8M.75-5D	\$594	66	364	1.25	1.46	32	RF, EU
1	0.75	3600	80	230/460 V	BA2M001-4D	\$442	78	278	1.25	1.60	32	RF, EU
		3600	80	575 V	BA2M001-5D	\$442	78	278	1.25	1.30	32	RF, EU
		1800	80	230/460 V	BA4M001-4D	\$446	77	278	1.25	1.80	32	RF, EU
		1800	80	575 V	BA4M001-5D	\$446	77	278	1.25	1.40	32	RF, EU
		1200	90S	230/460 V	PA6M001-2D	\$616	80	325	1.25	1.90	32	RF, EU
		1200	90S	575 V	PA6M001-5D	\$616	80	325	1.25	1.50	32	RF, EU
1.5	1.1	3600	80	230/460 V	BA2M1.5-4D	\$503	79	278	1.25	2.30	32	RF, EU
		3600	80	575 V	BA2M1.5-5D	\$503	79	278	1.25	1.80	32	RF, EU
		1800	90S/L	230/460 V	BA4M1.5-4D	\$599	86.5	364	1.25	2.10	46	RF, EU
		1800	90S/L	575 V	BA4M1.5-5D	\$599	86.5	364	1.25	1.60	46	RF, EU
2	1.5	3600	90S/L	230/460 V	BA2M002-4D	\$618	85.5	364	1.25	2.60	46	RF, EU
		3600	90S/L	575 V	BA2M002-5D	\$618	85.5	364	1.25	2.00	46	RF, EU
		1800	90S/L	230/460 V	BA4M002-4D	\$674	86.5	364	1.25	2.90	50	RF, EU
		1800	90S/L	575 V	BA4M002-5D	\$674	86.5	364	1.25	2.30	50	RF, EU
		1200	100L	230/460 V	PA6M002-2D	\$867	88.5	388	1.25	3.00	92	RF, EU
		1200	100L	575 V	PA6M002-5D	\$867	88.5	388	1.25	2.40	92	RF, EU
3	2.2	3600	90S/L	230/460 V	BA2M003-4D	\$692	86.5	364	1.25	3.50	46	RF, EU
		3600	90S/L	575 V	BA2M003-5D	\$692	86.5	364	1.25	2.80	46	RF, EU
		1800	100L	230/460 V	BA4M003-4D	\$838	89.5	409	1.25	3.90	92	RF, EU
		1800	100L	575 V	BA4M003-5D	\$838	89.5	409	1.25	3.10	92	RF, EU
		1200	112M	230/460 V	PA6M003-2D	\$1,111	89.5	405	1.25	4.20	100	RF, EU
		1200	112M	575 V	PA6M003-5D	\$1,111	89.5	405	1.25	3.40	100	RF, EU

**W Series IEC 63-180L, 3 Phase - TEFC  
B5 (D-Flange With B3 Removable Feet) - Cast Aluminum**



HP	Kw	RPM	Frame	Voltage	P/N	List	FL Eff.	L Dim. (mm)	S.F. 60 Hz	FL Amps	LBS	Notes
4	3	3600	100L	230/460 V	BA2M004-4D	\$901	88.5	409	1.25	4.90	60	RF, EU
		3600	100L	575 V	BA2M004-5D	\$901	88.5	409	1.25	3.90	60	RF, EU
		1800	100L	230/460 V	BA4M004-4D	\$910	89.5	409	1.25	5.50	60	RF, EU
		1800	100L	575 V	BA4M004-5D	\$910	89.5	409	1.25	4.40	60	RF, EU
		1200	132S	230/460 V	PA6M004-2D	\$1,458	89.5	459	1.25	6.10	110	RF, EU
		1200	132S	575 V	PA6M004-5D	\$1,458	89.5	459	1.25	4.80	110	RF, EU
5.5	4	3600	112M	230/460 V	BA2M5.5-4D	\$1,045	88.5	402	1.25	5.90	73	RF, EU
		3600	112M	575 V	BA2M5.5-5D	\$1,045	88.5	402	1.25	4.70	73	RF, EU
		1800	112M	230/460 V	BA4M5.5-4D	\$1,037	89.5	402	1.25	6.20	73	RF, EU
		1800	112M	575 V	BA4M5.5-5D	\$1,037	89.5	402	1.25	5.00	73	RF, EU
		1200	132M	230/460 V	PA6M5.5-2D	\$1,695	89.5	497	1.25	7.10	123	RF, EU
		1200	132M	575 V	PA6M5.5-5D	\$1,695	89.5	497	1.25	5.70	123	RF, EU
7.5	5.5	3600	132S/M	230/460 V	BA2M7.5-4D	\$1,373	89.5	484	1.25	8.40	110	RF, EU
		3600	132S/M	575 V	BA2M7.5-5D	\$1,373	89.5	484	1.25	6.70	110	RF, EU
		1800	132S/M	230/460 V	BA4M7.5-4D	\$1,473	91.7	484	1.25	9.80	110	RF, EU
		1800	132S/M	575 V	BA4M7.5-5D	\$1,473	91.7	484	1.25	7.80	110	RF, EU
		1200	132S/M	230/460 V	BA6M7.5-4D	\$1,914	91	484	1.25	10.60	123	RF, EU
		1200	132S/M	575 V	BA6M7.5-5D	\$1,914	91	484	1.25	8.50	123	RF, EU
10	7.5	3600	132S/M	230/460 V	BA2M010-4D	\$1,491	90.2	484	1.25	11.60	110	RF, EU
		3600	132S/M	575 V	BA2M010-5D	\$1,491	90.2	484	1.25	9.20	110	RF, EU
		1800	132S/M	230/460 V	BA4M010-4D	\$1,819	91.7	484	1.25	13.20	123	RF, EU
		1800	132S/M	575 V	BA4M010-5D	\$1,819	91.7	484	1.25	10.50	123	RF, EU
		1200	160M/L	230/460 V	BA6M010-4D	\$2,678	91	604	1.25	14.10	291	RF, EU, TM
		1200	160M/L	575 V	BA6M010-5D	\$2,678	91	604	1.25	17.70	291	RF, EU, TM
15	11	3600	160M/L	230/460 V	BA2M015-4D	\$2,520	91	604	1.25	17.00	221	RF, EU, TM
		3600	160M/L	575 V	BA2M015-5D	\$2,520	91	604	1.25	13.60	221	RF, EU, TM
		1800	160M/L	230/460 V	BA4M015-4D	\$2,624	92.4	604	1.25	17.80	221	RF, EU, TM
		1800	160M/L	575 V	BA4M015-5D	\$2,624	92.4	604	1.25	14.20	221	RF, EU, TM
		1200	160M/L	230/460 V	BA6M015-4D	\$3,386	91.7	604	1.25	19.30	234	RF, EU, TM
		1200	160M/L	575 V	BA6M015-5D	\$3,386	91.7	604	1.25	15.40	234	RF, EU, TM
20	15	3600	160M/L	230/460 V	BA2M020-4D	\$2,799	91	604	1.25	22.20	221	RF, EU, TM
		3600	160M/L	575 V	BA2M020-5D	\$2,799	91	604	1.25	17.70	221	RF, EU, TM
		1800	160M/L	230/460 V	BA4M020-4D	\$3,175	93	604	1.25	23.30	234	RF, EU, TM
		1800	160M/L	575 V	BA4M020-5D	\$3,175	93	604	1.25	18.60	234	RF, EU, TM
		1200	180M/L	230/460 V	BA6M020-4D	\$4,052	91.7	663	1.25	25.70	380	RF, EU, TM
		1200	180M/L	575 V	BA6M020-5D	\$4,052	91.7	663	1.25	20.60	380	RF, EU, TM
25	18.5	3600	160M/L	230/460 V	BA2M025-4D	\$3,156	91.7	604	1.25	27.20	234	RF, EU, TM
		3600	160M/L	575 V	BA2M025-5D	\$3,156	91.7	604	1.25	21.76	234	RF, EU, TM
		1800	180M/L	230/460 V	BA4M025-4D	\$3,644	93.6	663	1.25	27.90	329	RF, EU, TM
		1800	180M/L	575 V	BA4M025-5D	\$3,644	93.6	663	1.25	22.32	329	RF, EU, TM
30	22	3600	180M/L	230/460 V	BA2M030-4D	\$4,003	91.7	663	1.25	32.40	329	RF, EU, TM
		3600	180M/L	575 V	BA2M030-5D	\$4,003	91.7	663	1.25	25.92	329	RF, EU, TM
		1800	180M/L	230/460 V	BA4M030-4D	\$4,654	93.6	663	1.25	33.90	380	RF, EU, TM
		1800	180M/L	575 V	BA4M030-5D	\$4,654	93.6	663	1.25	27.12	380	RF, EU, TM

Discount Category **17**

IEC/Metric  
Aluminum

IEC/Metric  
Cast Iron

ATEX EEXD IIB  
Explosion Proof

ATEX EEXDE IIC  
Explosion Proof

ATEX EEXNA  
Non-Sparking

IEC/Metric  
Brake Motor



IEC/Metric  
Aluminum

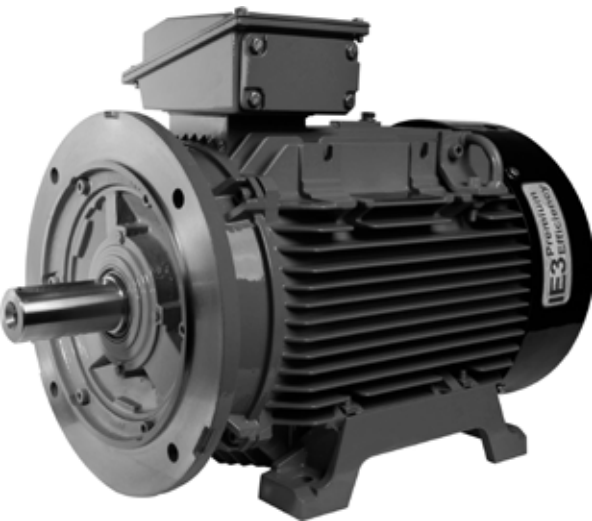
IEC/Metric  
Cast Iron

ATEX EEXD IIB  
Explosion Proof

ATEX EEXDE IIC  
Explosion Proof

ATEX EEXNA  
Non-Sparking

IEC/Metric  
Brake Motor



Heavy Duty Cast Iron Construction: Frame, End Brackets, & Conduit Box With Heavy Gauge Steel Fanguard and Non-sparking Fan, for Severe Duty Applications. Features Include:

- NEMA MG1-Part 31 inverter duty 15:1 constant torque, 20:1 variable torque
- 1.25 service factor at 60Hz, 1.0 service factor at 50Hz
- Class F insulation with class B temperature rise
- IP55 degree of protection for washdown duty enclosure
- Full contact shaft seals inside both brackets for increased protection against contaminants
- Removable/ repositionable feet for easy conversion to terminal box on top, left, right, or round body configuration
- IEC style terminal blocks included inside junction box
- Meets IEC 60034 electrical performance and IEC 60072 dimensional standards
- Dual rated 60/50Hz at same HP
- Cast iron conduit box with drilled and tapped entry is rotatable in 90 degree increments
- CSA approved for Class I; Division 2; Groups A, B, C & D, Zone 2; Groups IIA & IIB T3 on sine wave power
- Internal tropicproof
- Thermistors included in motors 160M and above. 1 per phase
- 3 year warranty

**Notes:**

**RF** - Removable Feet  
**TM** - Thermistors  
**EU** - Euronorm Dimensions  
**BS** - British Standard Dimensions

**W Series IEC 80-315L - TEFC  
B3 (Foot Mount) - Cast Iron**

HP	Kw	RPM	Frame	Voltage	P/N	List	FL Eff.	L Dim. (mm)	S.F. 60 Hz	FL Amps	LBS	Notes
1	0.75	3600	80	230/460 V	BC2M001-4	\$476	77	278	1.25	1.40	42	RF, EU
		3600	80	575 V	BC2M001-5	\$476	77	278	1.25	1.12	42	RF, EU
		1800	80	230/460 V	BC4M001-4	\$471	85.5	278	1.25	1.50	42	RF, EU
		1800	80	575 V	BC4M001-5	\$471	85.5	278	1.25	1.20	42	RF, EU
		1200	90S	230/460 V	PC6M001-4	\$566	82.5	320	1.25	1.70	58	RF, EU
		1200	90S	575 V	PC6M001-5	\$566	82.5	320	1.25	1.40	58	RF, EU
1.5	1.1	3600	80	230/460 V	BC2M1.5-4	\$453	84	278	1.25	1.90	42	RF, EU
		3600	80	575 V	BC2M1.5-5	\$453	84	278	1.25	1.52	42	RF, EU
		1800	90S/L	230/460 V	BC4M1.5-4	\$549	86.5	364	1.25	2.10	58	RF, EU
		1800	90S/L	575 V	BC4M1.5-5	\$549	86.5	364	1.25	1.68	58	RF, EU
2	1.5	3600	90S/L	230/460 V	BC2M002-4	\$568	85.5	364	1.25	2.60	58	RF, EU
		3600	90S/L	575 V	BC2M002-5	\$568	85.5	364	1.25	2.08	58	RF, EU
		1800	90S/L	230/460 V	BC4M002-4	\$624	86.5	364	1.25	2.90	60	RF, EU
		1800	90S/L	575 V	BC4M002-5	\$624	86.5	364	1.25	2.32	60	RF, EU
		1200	100L	230/460 V	PC6M002-4	\$797	88.5	385	1.25	3.00	125	RF, EU
		1200	100L	575 V	PC6M002-5	\$797	88.5	385	1.25	2.40	125	RF, EU
3	2.2	3600	90S/L	230/460 V	BC2M003-4	\$642	86.5	364	1.25	3.50	60	RF, EU
		3600	90S/L	575 V	BC2M003-5	\$642	86.5	364	1.25	2.80	60	RF, EU
		1800	100L	230/460 V	BC4M003-4	\$768	89.5	409	1.25	3.90	124	RF, EU
		1800	100L	575 V	BC4M003-5	\$768	89.5	409	1.25	3.12	124	RF, EU
		1200	112M	230/460 V	PC6M003-4	\$1,041	89.5	405	1.25	4.20	136	RF, EU
		1200	112M	575 V	PC6M003-5	\$1,041	89.5	405	1.25	3.40	136	RF, EU
4	3	3600	100L	230/460 V	BC2M004-4	\$831	88.5	409	1.25	4.60	124	RF, EU
		3600	100L	575 V	BC2M004-5	\$831	88.5	409	1.25	3.68	124	RF, EU
		1800	100L	230/460 V	BC4M004-4	\$840	89.5	409	1.25	5.00	124	RF, EU
		1800	100L	575 V	BC4M004-5	\$840	89.5	409	1.25	4.00	124	RF, EU
		1200	132S	230/460 V	PC6M004-4	\$1,333	89.5	467	1.25	5.60	204	RF, EU
		1200	132S	575 V	PC6M004-5	\$1,333	89.5	467	1.25	4.48	204	RF, EU
5.5	4	3600	112M	230/460 V	BC2M5.5-4	\$965	88.5	402	1.25	5.70	136	RF, EU
		3600	112M	575 V	BC2M5.5-5	\$965	88.5	402	1.25	4.56	136	RF, EU
		1800	112M	230/460 V	BC4M5.5-4	\$957	89.5	402	1.25	6.30	136	RF, EU
		1800	112M	575 V	BC4M5.5-5	\$957	89.5	402	1.25	5.04	136	RF, EU
		1200	132M	230/460 V	PC6M5.5-4	\$1,570	89.5	505	1.25	7.10	220	RF, EU
		1200	132M	575 V	PC6M5.5-5	\$1,570	89.5	505	1.25	5.70	220	RF, EU
7.5	5.5	3600	132S/M	230/460 V	BC2M7.5-4	\$1,248	89.5	484	1.25	8.40	204	RF, EU
		3600	132S/M	575 V	BC2M7.5-5	\$1,248	89.5	484	1.25	6.72	204	RF, EU
		1800	132S/M	230/460 V	BC4M7.5-4	\$1,348	91.7	484	1.25	9.80	204	RF, EU
		1800	132S/M	575 V	BC4M7.5-5	\$1,348	91.7	484	1.25	7.84	204	RF, EU
		1200	132S/M	230/460 V	BC6M7.5-4	\$1,789	91	484	1.25	10.60	220	RF, EU
		1200	132S/M	575 V	BC6M7.5-5	\$1,789	91	484	1.25	8.48	220	RF, EU
10	7.5	3600	132S/M	230/460 V	BC2M010-4	\$1,366	90.2	484	1.25	11.60	204	RF, EU
		3600	132S/M	575 V	BC2M010-5	\$1,366	90.2	484	1.25	9.28	204	RF, EU
		1800	132S/M	230/460 V	BC4M010-4	\$1,694	91.7	484	1.25	13.20	220	RF, EU
		1800	132S/M	575 V	BC4M010-5	\$1,694	91.7	484	1.25	10.56	220	RF, EU
		1200	160M/L	230/460 V	BC6M010-4	\$2,453	91	604	1.25	13.70	320	RF, EU, TM
		1200	160M/L	575 V	BC6M010-5	\$2,453	91	604	1.25	10.96	320	RF, EU, TM
15	11	3600	160M/L	230/460 V	BC2M015-4	\$2,295	91	604	1.25	17.00	320	RF, EU, TM
		3600	160M/L	575 V	BC2M015-5	\$2,295	91	604	1.25	13.60	320	RF, EU, TM
		1800	160M/L	230/460 V	BC4M015-4	\$2,399	92.4	604	1.25	17.80	320	RF, EU, TM
		1800	160M/L	575 V	BC4M015-5	\$2,399	92.4	604	1.25	14.24	320	RF, EU, TM
		1200	160M/L	230/460 V	BC6M015-4	\$3,161	91.7	604	1.25	19.30	374	RF, EU, TM
		1200	160M/L	575 V	BC6M015-5	\$3,161	91.7	604	1.25	15.44	374	RF, EU, TM

Discount Category **18**

IEC/Metric  
Aluminum

IEC/Metric  
Cast Iron

ATEX EEXD IIB  
Explosion Proof

ATEX EEXDE IIC  
Explosion Proof

ATEX EEXNA  
Non-Sparking

IEC/Metric  
Brake Motor



IEC/Metric  
Aluminum

IEC/Metric  
Cast Iron

ATEX EEXD IIB  
Explosion Proof

ATEX EEXDE IIC  
Explosion Proof

ATEX EEXNA  
Non-Sparking

IEC/Metric  
Brake Motor

HP	Kw	RPM	Frame	Voltage	P/N	List	FL Eff.	L Dim. (mm)	S.F. 60 Hz	FL Amps	LBS	Notes
20	15	3600	160M/L	230/460 V	BC2M020-4	\$2,574	91	604	1.25	22.20	320	RF, EU, TM
		3600	160M/L	575 V	BC2M020-5	\$2,574	91	604	1.25	17.76	320	RF, EU, TM
		1800	160M/L	230/460 V	BC4M020-4	\$2,950	93	604	1.25	23.30	374	RF, EU, TM
		1800	160M/L	575 V	BC4M020-5	\$2,950	93	604	1.25	18.64	374	RF, EU, TM
		1200	180M/L	230/460 V	BC6M020-4	\$3,732	91.7	663	1.25	25.70	478	RF, EU, TM
		1200	180M/L	575 V	BC6M020-5	\$3,732	91.7	663	1.25	20.56	478	RF, EU, TM
25	18.5	3600	160M/L	230/460 V	BC2M025-4	\$2,931	91.7	604	1.25	27.20	374	RF, EU, TM
		3600	160M/L	575 V	BC2M025-5	\$2,931	91.7	604	1.25	21.76	374	RF, EU, TM
		1800	180M/L	230/460 V	BC4M025-4	\$3,324	93.6	663	1.25	27.90	478	RF, EU, TM
		1800	180M/L	575 V	BC4M025-5	\$3,324	93.6	663	1.25	22.32	478	RF, EU, TM
		1200	200L	230/460 V	BC6M025-4	\$4,670	93	810	1.25	31.90	602	RF, EU, TM
		1200	200L	575 V	BC6M025-5	\$4,670	93	810	1.25	25.52	602	RF, EU, TM
30	22	3600	180M/L	230/460 V	BC2M030-4	\$3,778	91.7	663	1.25	32.40	478	RF, EU, TM
		3600	180M/L	575 V	BC2M030-5	\$3,778	91.7	663	1.25	25.92	478	RF, EU, TM
		1800	180M/L	230/460 V	BC4M030-4	\$4,334	93.6	663	1.25	33.90	478	RF, EU, TM
		1800	180M/L	575 V	BC4M030-5	\$4,334	93.6	663	1.25	27.12	478	RF, EU, TM
		1200	200L	230/460 V	BC6M030-4	\$5,453	93	810	1.25	38.00	650	RF, EU, TM
		1200	200L	575 V	BC6M030-5	\$5,453	93	810	1.25	30.40	650	RF, EU, TM
40	30	3600	200L	230/460 V	BC2M040-4	\$5,398	93	810	1.25	46.00	650	RF, EU, TM
		3600	200L	575 V	BC2M040-5	\$5,398	93	810	1.25	36.80	650	RF, EU, TM
		1800	200L	230/460 V	BC4M040-4	\$5,574	94.1	810	1.25	45.00	650	RF, EU, TM
		1800	200L	575 V	BC4M040-5	\$5,574	94.1	810	1.25	36.00	650	RF, EU, TM
		1200	225M	230/460 V	BC6M040-4	\$7,174	94.1	875	1.25	46.80	1050	RF, EU, TM
		1200	225M	575 V	BC6M040-5	\$7,174	94.1	875	1.25	37.44	1050	RF, EU, TM
50	37	3600	200L	230/460 V	BC2M050-4	\$5,965	93.6	810	1.25	57.00	650	RF, EU, TM
		3600	200L	575 V	BC2M050-5	\$5,965	93.6	810	1.25	45.60	650	RF, EU, TM
		1800	225S	230/460 V	BC4M050-4	\$6,881	94.5	875	1.25	58.00	914	RF, EU, TM
		1800	225S	575 V	BC4M050-5	\$6,881	94.5	875	1.25	46.40	914	RF, EU, TM
		1200	250M	230/460 V	BC6M050-4	\$8,833	94.1	985	1.25	57.60	1384	RF, EU, TM
		1200	250M	575 V	BC6M050-5	\$8,833	94.1	985	1.25	46.08	1384	RF, EU, TM
60	45	3600	225M	230/460 V	BC2M060-4	\$7,453	93.6	885	1.25	66.00	1050	RF, EU, TM
		3600	225M	575 V	BC2M060-5	\$7,453	93.6	885	1.25	52.80	1050	RF, EU, TM
		1800	225M	230/460 V	BC4M060-4	\$7,698	95	915	1.25	68.00	1050	RF, EU, TM
		1800	225M	575 V	BC4M060-5	\$7,698	95	915	1.25	54.40	1050	RF, EU, TM
		<b>1200</b>	<b>*BS-250M</b>	<b>230/460 V</b>	<b>BC6M060-4S</b>	<b>\$10,991</b>	<b>93.6</b>	<b>985</b>	<b>1.25</b>	<b>70.00</b>	<b>1384</b>	<b>RF, BS, TM</b>
		<b>1200</b>	<b>*BS-250M</b>	<b>575 V</b>	<b>BC6M060-5S</b>	<b>\$10,991</b>	<b>93.6</b>	<b>985</b>	<b>1.25</b>	<b>56.00</b>	<b>1384</b>	<b>RF, BS, TM</b>
		1200	280S	230/460 V	BC6M060-4	\$11,870	94.5	1030	1.25	70.00	1512	RF, EU, TM
		1200	280S	575 V	BC6M060-5	\$11,870	94.5	1030	1.25	56.00	1512	RF, EU, TM
75	55	<b>3600</b>	<b>*BS-250S</b>	<b>230/460 V</b>	<b>BC2M075-4S</b>	<b>\$9,310</b>	<b>95.4</b>	<b>985</b>	<b>1.25</b>	<b>79.30</b>	<b>1384</b>	<b>RF, BS, TM</b>
		<b>3600</b>	<b>*BS-250S</b>	<b>575 V</b>	<b>BC2M075-5S</b>	<b>\$9,310</b>	<b>95.4</b>	<b>985</b>	<b>1.25</b>	<b>63.44</b>	<b>1384</b>	<b>RF, BS, TM</b>
		3600	250M	230/460 V	BC2M075-4	\$9,310	93.6	985	1.25	79.30	1384	RF, EU, TM
		3600	250M	575 V	BC2M075-5	\$9,310	93.6	985	1.25	63.44	1384	RF, EU, TM
		<b>1800</b>	<b>*BS-250S</b>	<b>230/460 V</b>	<b>BC4M075-4S</b>	<b>\$9,539</b>	<b>95.4</b>	<b>985</b>	<b>1.25</b>	<b>81.30</b>	<b>1384</b>	<b>RF, BS, TM</b>
		<b>1800</b>	<b>*BS-250S</b>	<b>575 V</b>	<b>BC4M075-5S</b>	<b>\$9,539</b>	<b>95.4</b>	<b>985</b>	<b>1.25</b>	<b>65.04</b>	<b>1384</b>	<b>RF, BS, TM</b>
		1800	250M	230/460 V	BC4M075-4	\$9,539	95.4	985	1.25	81.30	1384	RF, EU, TM
		1800	250M	575 V	BC4M075-5	\$9,539	95.4	985	1.25	65.04	1384	RF, EU, TM
		<b>1200</b>	<b>*BS-280S</b>	<b>230/460 V</b>	<b>BC6M075-4S</b>	<b>\$12,495</b>	<b>94.1</b>	<b>1030</b>	<b>1.25</b>	<b>87.70</b>	<b>1512</b>	<b>RF, BS, TM</b>
		<b>1200</b>	<b>*BS-280S</b>	<b>575 V</b>	<b>BC6M075-5S</b>	<b>\$12,495</b>	<b>94.1</b>	<b>1030</b>	<b>1.25</b>	<b>70.10</b>	<b>1512</b>	<b>RF, BS, TM</b>
		1200	280M	230/460 V	BC6M075-4	\$12,495	94.5	1070	1.25	87.70	1896	RF, EU, TM
		1200	280M	575 V	BC6M075-5	\$12,495	94.5	1070	1.25	70.10	1896	RF, EU, TM

Discount Category **18**

\*Motor Part Numbers Ending in "S" Have British Standard Dimensions

**W Series IEC 80-315L - TEFC  
B3 (Foot Mount) - Cast Iron**

HP	Kw	RPM	Frame	Voltage	P/N	List	FL Eff.	L Dim. (mm)	S.F. 60 Hz	FL Amps	LBS	Notes
100	75	3600	*BS-250M	230/460 V	BC2M100-4S	\$11,514	94.1	985	1.25	110.00	1384	RF, BS, TM
		3600	*BS-250M	575 V	BC2M100-5S	\$11,514	94.1	985	1.25	88.00	1384	RF, BS, TM
		3600	280S	230/460 V	BC2M100-4	\$12,464	94.1	1030	1.25	110.00	1512	RF, EU, TM
		3600	280S	575 V	BC2M100-5	\$12,464	94.1	1030	1.25	88.00	1512	RF, EU, TM
		1800	*BS-250M	230/460 V	BC4M100-4S	\$11,989	94.1	985	1.25	116.00	1384	RF, BS, TM
		1800	*BS-250M	575 V	BC4M100-5S	\$11,989	94.1	985	1.25	92.80	1384	RF, BS, TM
		1800	280SE	230/460 V	BC4M100-4	\$12,948	95.4	1030	1.25	116.00	1512	RF, EU, TM
		1800	280SE	575 V	BC4M100-5	\$12,948	95.4	1030	1.25	92.80	1512	RF, EU, TM
		1200	*BS-280M	230/460 V	BC6M100-4S	\$21,915	94.5	1070	1.25	115.00	1896	RF, BS, TM
		1200	*BS-280M	575 V	BC6M100-5S	\$21,915	94.5	1070	1.25	92.00	1896	RF, BS, TM
		1200	315S	230/460 V	BC6M100-4	\$23,668	95	1070	1.25	115.00	2354	RF, EU, TM
		1200	315S	575 V	BC6M100-5	\$23,668	95	1070	1.25	92.00	2354	RF, EU, TM
125	90	3600	*BS-280S	460 V	BC2M125-9S	\$13,197	95.4	1030	1.25	137.00	1512	RF, BS, TM
		3600	*BS-280S	575 V	BC2M125-5S	\$13,197	95.4	1030	1.25	109.60	1512	RF, BS, TM
		3600	280M	460 V	BC2M125-9	\$13,197	95	1070	1.25	137.00	1896	RF, EU, TM
		3600	280M	575 V	BC2M125-5	\$13,197	95	1070	1.25	109.60	1896	RF, EU, TM
		1800	*BS-280S	460 V	BC4M125-9S	\$13,596	95.4	1030	1.25	144.00	1512	RF, BS, TM
		1800	*BS-280S	575 V	BC4M125-5S	\$13,596	95.4	1030	1.25	115.20	1512	RF, BS, TM
		1800	280M	460 V	BC4M125-9	\$13,596	95.4	1070	1.25	144.00	1896	RF, EU, TM
		1800	280M	575 V	BC4M125-5	\$13,596	95.4	1070	1.25	115.20	1896	RF, EU, TM
		1200	*BS-315S	460 V	BC6M125-9S	\$23,852	95	1115	1.25	145.00	2354	RF, BS, TM
		1200	*BS-315S	575 V	BC6M125-5S	\$23,852	95	1115	1.25	116.00	2354	RF, BS, TM
		1200	315M	460 V	BC6M125-9	\$23,852	95	1215	1.25	145.00	2533	RF, EU, TM
		1200	315M	575 V	BC6M125-5	\$23,852	95	1215	1.25	116.00	2533	RF, EU, TM
150	110	3600	*BS-280M	460 V	BC2M150-9S	\$24,302	95	1070	1.25	161.00	1896	RF, BS, TM
		3600	*BS-280M	575 V	BC2M150-5S	\$24,302	95	1070	1.25	128.80	1896	RF, BS, TM
		3600	315S	460 V	BC2M150-9	\$26,246	95	1115	1.25	161.00	2354	RF, EU, TM
		3600	315S	575 V	BC2M150-5	\$26,246	95	1115	1.25	128.80	2354	RF, EU, TM
		1800	*BS-280M	460 V	BC4M150-9S	\$22,157	95.4	1070	1.25	170.00	1896	RF, BS, TM
		1800	*BS-280M	575 V	BC4M150-5S	\$22,157	95.4	1070	1.25	136.00	1896	RF, BS, TM
		1800	315S	460 V	BC4M150-9	\$23,930	95.8	1115	1.25	170.00	2354	RF, EU, TM
		1800	315S	575 V	BC4M150-5	\$23,930	95.8	1115	1.25	136.00	2354	RF, EU, TM
		1200	*BS-315M	460 V	BC6M150-9S	\$26,972	95	1215	1.25	170.00	2533	RF, BS, TM
		1200	*BS-315M	575 V	BC6M150-5S	\$26,972	95	1215	1.25	136.00	2533	RF, BS, TM
		1200	315L	460 V	BC6M150-9	\$26,972	95.8	1315	1.25	170.00	2800	RF, EU, TM
		1200	315L	575 V	BC6M150-5	\$26,972	95.8	1315	1.25	136.00	2800	RF, EU, TM
200	150	3600	315M	460 V	BC2M200-9	\$26,591	95.4	1185	1.25	215.00	2533	RF, EU, TM
		3600	315M	575 V	BC2M200-5	\$26,591	95.4	1185	1.25	172.00	2533	RF, EU, TM
		1800	315M	460 V	BC4M200-9	\$27,611	96.2	1215	1.25	221.00	2533	RF, EU, TM
		1800	315M	575 V	BC4M200-5	\$27,611	96.2	1215	1.25	176.80	2533	RF, EU, TM

Discount Category **18**

\*Motor Part Numbers Ending in "S" Have British Standard Dimensions

Larger Ratings Available By Special Order in Both Low and Medium Voltage Designs.  
Please Contact Brook Crompton for Pricing.

IEC/Metric  
Aluminum

IEC/Metric  
Cast Iron

ATEX EEXD IIB  
Explosion Proof

ATEX EEXDE IIC  
Explosion Proof

ATEX EEXNA  
Non-Sparking

IEC/Metric  
Brake Motor

IEC/Metric  
Aluminum

IEC/Metric  
Cast Iron

ATEX EEXD IIB  
Explosion Proof

ATEX EEXDE IIC  
Explosion Proof

ATEX EEXNA  
Non-Sparking

IEC/Metric  
Brake Motor

HP	Kw	RPM	Frame	Voltage	P/N	List	FL Eff.	L Dim. (mm)	S.F. 60 Hz	FL Amps	LBS	Notes
1	0.75	3600	80	230/460 V	BC2M001-4C	\$516	77	278	1.25	1.40	52	RF, EU
		3600	80	575 V	BC2M001-5C	\$516	77	278	1.25	1.12	52	RF, EU
		1800	80	230/460 V	BC4M001-4C	\$511	85.5	278	1.25	1.50	52	RF, EU
		1800	80	575 V	BC4M001-5C	\$511	85.5	278	1.25	1.20	52	RF, EU
		1200	90S	230/460 V	PC6M001-4C	\$616	82.5	320	1.25	1.70	68	RF, EU
		1200	90S	575 V	PC6M001-5C	\$616	82.5	320	1.25	1.40	68	RF, EU
1.5	1.1	3600	80	230/460 V	BC2M1.5-4C	\$493	84	278	1.25	1.90	52	RF, EU
		3600	80	575 V	BC2M1.5-5C	\$493	84	278	1.25	1.52	52	RF, EU
		1800	90S/L	230/460 V	BC4M1.5-4C	\$599	86.5	364	1.25	2.10	68	RF, EU
		1800	90S/L	575 V	BC4M1.5-5C	\$599	86.5	364	1.25	1.68	68	RF, EU
2	1.5	3600	90S/L	230/460 V	BC2M002-4C	\$618	85.5	364	1.25	2.60	68	RF, EU
		3600	90S/L	575 V	BC2M002-5C	\$618	85.5	364	1.25	2.08	68	RF, EU
		1800	90S/L	230/460 V	BC4M002-4C	\$674	86.5	364	1.25	2.90	70	RF, EU
		1800	90S/L	575 V	BC4M002-5C	\$674	86.5	364	1.25	2.32	70	RF, EU
		1200	100L	230/460 V	PC6M002-4C	\$867	88.5	385	1.25	3.00	135	RF, EU
		1200	100L	575 V	PC6M002-5C	\$867	88.5	385	1.25	2.40	135	RF, EU
3	2.2	3600	90S/L	230/460 V	BC2M003-4C	\$692	86.5	364	1.25	3.50	70	RF, EU
		3600	90S/L	575 V	BC2M003-5C	\$692	86.5	364	1.25	2.80	70	RF, EU
		1800	100L	230/460 V	BC4M003-4C	\$838	89.5	409	1.25	3.90	135	RF, EU
		1800	100L	575 V	BC4M003-5C	\$838	89.5	409	1.25	3.12	135	RF, EU
		1200	112M	230/460 V	PC6M003-4C	\$1,111	89.5	405	1.25	4.20	146	RF, EU
		1200	112M	575 V	PC6M003-5C	\$1,111	89.5	405	1.25	3.40	146	RF, EU
4	3	3600	100L	230/460 V	BC2M004-4C	\$901	88.5	409	1.25	4.60	135	RF, EU
		3600	100L	575 V	BC2M004-5C	\$901	88.5	409	1.25	3.68	135	RF, EU
		1800	100L	230/460 V	BC4M004-4C	\$910	89.5	409	1.25	5.00	135	RF, EU
		1800	100L	575 V	BC4M004-5C	\$910	89.5	409	1.25	4.00	135	RF, EU
		1200	132S	230/460 V	PC6M004-4C	\$1,458	89.5	467	1.25	5.60	216	RF, EU
		1200	132S	575 V	PC6M004-5C	\$1,458	89.5	467	1.25	4.48	216	RF, EU
5.5	4	3600	112M	230/460 V	BC2M5.5-4C	\$1,045	88.5	402	1.25	5.70	146	RF, EU
		3600	112M	575 V	BC2M5.5-5C	\$1,045	88.5	402	1.25	4.56	146	RF, EU
		1800	112M	230/460 V	BC4M5.5-4C	\$1,037	89.5	402	1.25	6.30	146	RF, EU
		1800	112M	575 V	BC4M5.5-5C	\$1,037	89.5	402	1.25	5.04	146	RF, EU
		1200	132M	230/460 V	PC6M5.5-4C	\$1,695	89.5	505	1.25	7.10	232	RF, EU
		1200	132M	575 V	PC6M5.5-5C	\$1,695	89.5	505	1.25	5.70	232	RF, EU
7.5	5.5	3600	132S/M	230/460 V	BC2M7.5-4C	\$1,373	89.5	484	1.25	8.40	216	RF, EU
		3600	132S/M	575 V	BC2M7.5-5C	\$1,373	89.5	484	1.25	6.72	216	RF, EU
		1800	132S/M	230/460 V	BC4M7.5-4C	\$1,473	91.7	484	1.25	9.80	216	RF, EU
		1800	132S/M	575 V	BC4M7.5-5C	\$1,473	91.7	484	1.25	7.84	216	RF, EU
		1200	132S/M	230/460 V	BC6M7.5-4C	\$1,914	91	484	1.25	10.60	232	RF, EU
		1200	132S/M	575 V	BC6M7.5-5C	\$1,914	91	484	1.25	8.48	232	RF, EU
10	7.5	3600	132S/M	230/460 V	BC2M010-4C	\$1,491	90.2	484	1.25	11.60	216	RF, EU
		3600	132S/M	575 V	BC2M010-5C	\$1,491	90.2	484	1.25	9.28	216	RF, EU
		1800	132S/M	230/460 V	BC4M010-4C	\$1,819	91.7	484	1.25	13.20	232	RF, EU
		1800	132S/M	575 V	BC4M010-5C	\$1,819	91.7	484	1.25	10.56	232	RF, EU
		1200	160M/L	230/460 V	BC6M010-4C	\$2,678	91	604	1.25	13.70	332	RF, EU, TM
		1200	160M/L	575 V	BC6M010-5C	\$2,678	91	604	1.25	10.96	332	RF, EU, TM
15	11	3600	160M/L	230/460 V	BC2M015-4C	\$2,520	91	604	1.25	17.00	332	RF, EU, TM
		3600	160M/L	575 V	BC2M015-5C	\$2,520	91	604	1.25	13.60	332	RF, EU, TM
		1800	160M/L	230/460 V	BC4M015-4C	\$2,624	92.4	604	1.25	17.80	332	RF, EU, TM
		1800	160M/L	575 V	BC4M015-5C	\$2,624	92.4	604	1.25	14.24	332	RF, EU, TM
		1200	160M/L	230/460 V	BC6M015-4C	\$3,386	91.7	604	1.25	19.30	386	RF, EU, TM
		1200	160M/L	575 V	BC6M015-5C	\$3,386	91.7	604	1.25	15.44	386	RF, EU, TM

Discount Category **18**

**W Series IEC 80-315L - TEFC  
B14 (C-Face With B3 Removable Feet) - Cast Iron**

HP	Kw	RPM	Frame	Voltage	P/N	List	FL Eff.	L Dim. (mm)	S.F. 60 Hz	FL Amps	LBS	Notes
20	15	3600	160M/L	230/460 V	BC2M020-4C	\$2,799	91	604	1.25	22.20	332	RF, EU, TM
		3600	160M/L	575 V	BC2M020-5C	\$2,799	91	604	1.25	17.76	332	RF, EU, TM
		1800	160M/L	230/460 V	BC4M020-4C	\$3,175	93	604	1.25	23.30	386	RF, EU, TM
		1800	160M/L	575 V	BC4M020-5C	\$3,175	93	604	1.25	18.64	386	RF, EU, TM
25	18.5	3600	160M/L	230/460 V	BC2M025-4C	\$3,156	91.7	604	1.25	27.20	386	RF, EU, TM
		3600	160M/L	575 V	BC2M025-5C	\$3,156	91.7	604	1.25	21.76	386	RF, EU, TM

**Discount Category 18**

IEC/Metric  
Aluminum

IEC/Metric  
Cast Iron

ATEX EEXD IIB  
Explosion Proof

ATEX EEXDE IIC  
Explosion Proof

ATEX EEXNA  
Non-Sparking

IEC/Metric  
Brake Motor

IEC/Metric  
Aluminum

IEC/Metric  
Cast Iron

ATEX EEXD IIB  
Explosion Proof

ATEX EEXDE IIC  
Explosion Proof

ATEX EEXNA  
Non-Sparking

IEC/Metric  
Brake Motor

HP	Kw	RPM	Frame	Voltage	P/N	List	FL Eff.	L Dim. (mm)	S.F. 60 Hz	FL Amps	LBS	Notes
1	0.75	3600	80	230/460 V	BC2M001-4D	\$516	77	278	1.25	1.40	52	RF, EU
		3600	80	575 V	BC2M001-5D	\$516	77	278	1.25	1.12	52	RF, EU
		1800	80	230/460 V	BC4M001-4D	\$511	85.5	278	1.25	1.50	52	RF, EU
		1800	80	575 V	BC4M001-5D	\$511	85.5	278	1.25	1.20	52	RF, EU
		1200	90S	230/460 V	PC6M001-4D	\$616	82.5	320	1.25	1.70	68	RF, EU
		1200	90S	575 V	PC6M001-5D	\$616	82.5	320	1.25	1.40	68	RF, EU
1.5	1.1	3600	80	230/460 V	BC2M1.5-4D	\$493	84	278	1.25	1.90	52	RF, EU
		3600	80	575 V	BC2M1.5-5D	\$493	84	278	1.25	1.52	52	RF, EU
		1800	90S/L	230/460 V	BC4M1.5-4D	\$599	86.5	364	1.25	2.10	68	RF, EU
2	1.5	1800	90S/L	575 V	BC4M1.5-5D	\$599	86.5	364	1.25	1.68	68	RF, EU
		3600	90S/L	230/460 V	BC2M002-4D	\$618	85.5	364	1.25	2.60	68	RF, EU
		3600	90S/L	575 V	BC2M002-5D	\$618	85.5	364	1.25	2.08	68	RF, EU
		1800	90S/L	230/460 V	BC4M002-4D	\$674	86.5	364	1.25	2.90	70	RF, EU
		1800	90S/L	575 V	BC4M002-5D	\$674	86.5	364	1.25	2.32	70	RF, EU
		1200	100L	230/460 V	PC6M002-4D	\$867	88.5	385	1.25	3.00	135	RF, EU
3	2.2	1200	100L	575 V	PC6M002-5D	\$867	88.5	385	1.25	2.40	135	RF, EU
		3600	90S/L	230/460 V	BC2M003-4D	\$692	86.5	364	1.25	3.50	70	RF, EU
		3600	90S/L	575 V	BC2M003-5D	\$692	86.5	364	1.25	2.80	70	RF, EU
		1800	100L	230/460 V	BC4M003-4D	\$838	89.5	409	1.25	3.90	135	RF, EU
		1800	100L	575 V	BC4M003-5D	\$838	89.5	409	1.25	3.12	135	RF, EU
		1200	112M	230/460 V	PC6M003-4D	\$1,111	89.5	405	1.25	4.20	146	RF, EU
4	3	1200	112M	575 V	PC6M003-5D	\$1,111	89.5	405	1.25	3.40	146	RF, EU
		3600	100L	230/460 V	BC2M004-4D	\$901	88.5	409	1.25	4.60	135	RF, EU
		3600	100L	575 V	BC2M004-5D	\$901	88.5	409	1.25	3.68	135	RF, EU
		1800	100L	230/460 V	BC4M004-4D	\$910	89.5	409	1.25	5.00	135	RF, EU
		1800	100L	575 V	BC4M004-5D	\$910	89.5	409	1.25	4.00	135	RF, EU
		1200	132S	230/460 V	PC6M004-4D	\$1,458	89.5	467	1.25	5.60	216	RF, EU
5.5	4	1200	132S	575 V	PC6M004-5D	\$1,458	89.5	467	1.25	4.48	216	RF, EU
		3600	112M	230/460 V	BC2M5.5-4D	\$1,045	88.5	402	1.25	5.70	146	RF, EU
		3600	112M	575 V	BC2M5.5-5D	\$1,045	88.5	402	1.25	4.56	146	RF, EU
		1800	112M	230/460 V	BC4M5.5-4D	\$1,037	89.5	402	1.25	6.30	146	RF, EU
		1800	112M	575 V	BC4M5.5-5D	\$1,037	89.5	402	1.25	5.04	146	RF, EU
		1200	132M	230/460 V	PC6M5.5-4D	\$1,695	89.5	505	1.25	7.10	232	RF, EU
7.5	5.5	1200	132M	575 V	PC6M5.5-5D	\$1,695	89.5	505	1.25	5.70	232	RF, EU
		3600	132S/M	230/460 V	BC2M7.5-4D	\$1,373	89.5	484	1.25	8.40	216	RF, EU
		3600	132S/M	575 V	BC2M7.5-5D	\$1,373	89.5	484	1.25	6.72	216	RF, EU
		1800	132S/M	230/460 V	BC4M7.5-4D	\$1,473	91.7	484	1.25	9.80	216	RF, EU
		1800	132S/M	575 V	BC4M7.5-5D	\$1,473	91.7	484	1.25	7.84	216	RF, EU
		1200	132S/M	230/460 V	BC6M7.5-4D	\$1,914	91	484	1.25	10.60	232	RF, EU
10	7.5	1200	132S/M	575 V	BC6M7.5-5D	\$1,914	91	484	1.25	8.48	232	RF, EU
		3600	132S/M	230/460 V	BC2M010-4D	\$1,491	90.2	484	1.25	11.60	216	RF, EU
		3600	132S/M	575 V	BC2M010-5D	\$1,491	90.2	484	1.25	9.28	216	RF, EU
		1800	132S/M	230/460 V	BC4M010-4D	\$1,819	91.7	484	1.25	13.20	232	RF, EU
		1800	132S/M	575 V	BC4M010-5D	\$1,819	91.7	484	1.25	10.56	232	RF, EU
		1200	160M/L	230/460 V	BC6M010-4D	\$2,678	91	604	1.25	13.70	332	RF, EU, TM
15	11	1200	160M/L	575 V	BC6M010-5D	\$2,678	91	604	1.25	10.96	332	RF, EU, TM
		3600	160M/L	230/460 V	BC2M015-4D	\$2,520	91	604	1.25	17.00	332	RF, EU, TM
		3600	160M/L	575 V	BC2M015-5D	\$2,520	91	604	1.25	13.60	332	RF, EU, TM
		1800	160M/L	230/460 V	BC4M015-4D	\$2,624	92.4	604	1.25	17.80	332	RF, EU, TM
		1800	160M/L	575 V	BC4M015-5D	\$2,624	92.4	604	1.25	14.24	332	RF, EU, TM
		1200	160M/L	230/460 V	BC6M015-4D	\$3,386	91.7	604	1.25	19.30	386	RF, EU, TM
		1200	160M/L	575 V	BC6M015-5D	\$3,386	91.7	604	1.25	15.44	386	RF, EU, TM

Discount Category **18**

**W Series IEC 80-315L - TEFC  
B5 (D-Flange With B3 Removable Feet) - Cast Iron**



HP	Kw	RPM	Frame	Voltage	P/N	List	FL Eff.	L Dim. (mm)	S.F. 60 Hz	FL Amps	LBS	Notes
20	15	3600	160M/L	230/460 V	BC2M020-4D	\$2,799	91	604	1.25	22.20	332	RF, EU, TM
		3600	160M/L	575 V	BC2M020-5D	\$2,799	91	604	1.25	17.76	332	RF, EU, TM
		1800	160M/L	230/460 V	BC4M020-4D	\$3,175	93	604	1.25	23.30	386	RF, EU, TM
		1800	160M/L	575 V	BC4M020-5D	\$3,175	93	604	1.25	18.64	386	RF, EU, TM
		1200	200L	230/460 V	BC6M020-4D	\$4,052	91.7	663	1.25	25.70	450	RF, EU, TM
		1200	200L	575 V	BC6M020-5D	\$4,052	91.7	663	1.25	20.60	450	RF, EU, TM
25	18.5	3600	160M/L	230/460 V	BC2M025-4D	\$3,156	91.7	604	1.25	27.20	374	RF, EU, TM
		3600	160M/L	575 V	BC2M025-5D	\$3,156	91.7	604	1.25	21.76	374	RF, EU, TM
		1800	180M/L	230/460 V	BC4M025-4D	\$3,644	93.6	663	1.25	27.90	478	RF, EU, TM
		1800	180M/L	575 V	BC4M025-5D	\$3,644	93.6	663	1.25	22.32	478	RF, EU, TM
		1200	200L	230/460 V	BC6M025-4D	\$5,145	93	810	1.25	31.90	675	RF, EU, TM
		1200	200L	575 V	BC6M025-5D	\$5,145	93	810	1.25	25.50	675	RF, EU, TM
30	22	3600	180M/L	230/460 V	BC2M030-4D	\$4,003	91.7	663	1.25	32.40	478	RF, EU, TM
		3600	180M/L	575 V	BC2M030-5D	\$4,003	91.7	663	1.25	25.92	478	RF, EU, TM
		1800	180M/L	230/460 V	BC4M030-4D	\$4,654	93.6	663	1.25	33.90	478	RF, EU, TM
		1800	180M/L	575 V	BC4M030-5D	\$4,654	93.6	663	1.25	27.12	478	RF, EU, TM
		1200	200L	230/460 V	BC6M030-4D	\$5,928	93	810	1.25	38.00	675	RF, EU, TM
		1200	200L	575 V	BC6M030-5D	\$5,928	93	810	1.25	30.40	675	RF, EU, TM
40	30	3600	200L	230/460 V	BC2M040-4D	\$5,873	93	810	1.25	46.00	675	RF, EU, TM
		3600	200L	575 V	BC2M040-5D	\$5,873	93	810	1.25	36.80	675	RF, EU, TM
		1800	200L	230/460 V	BC4M040-4D	\$6,049	94.1	810	1.25	45.00	675	RF, EU, TM
		1800	200L	575 V	BC4M040-5D	\$6,049	94.1	810	1.25	36.00	675	RF, EU, TM
		1200	225M	230/460 V	BC6M040-4D	\$7,829	94.1	875	1.25	46.80	1075	RF, EU, TM
		1200	225M	575 V	BC6M040-5D	\$7,829	94.1	875	1.25	37.40	1075	RF, EU, TM
50	37	3600	200L	230/460 V	BC2M050-4D	\$6,440	93.6	810	1.25	57.00	675	RF, EU, TM
		3600	200L	575 V	BC2M050-5D	\$6,440	93.6	810	1.25	45.60	675	RF, EU, TM
		1800	225S	230/460 V	BC4M050-4D	\$7,536	94.5	875	1.25	58.00	939	RF, EU, TM
		1800	225S	575 V	BC4M050-5D	\$7,536	94.5	875	1.25	46.40	939	RF, EU, TM
		1200	250M	230/460 V	BC6M050-4D	\$9,758	94.1	985	1.25	57.60	1439	RF, EU, TM
		1200	250M	575 V	BC6M050-5D	\$9,758	94.1	985	1.25	46.10	1439	RF, EU, TM
60	45	3600	225M	230/460 V	BC2M060-4D	\$8,108	93.6	885	1.25	66.00	1075	RF, EU, TM
		3600	225M	575 V	BC2M060-5D	\$8,108	93.6	885	1.25	52.80	1075	RF, EU, TM
		1800	225M	230/460 V	BC4M060-4D	\$8,353	95	915	1.25	68.00	1075	RF, EU, TM
		1800	225M	575 V	BC4M060-5D	\$8,353	95	915	1.25	54.40	1075	RF, EU, TM
		1200	<b>*BS-250M</b>	<b>230/460 V</b>	<b>BC6M060-4SD</b>	<b>\$11,916</b>	<b>93.6</b>	<b>985</b>	<b>1.25</b>	<b>70.00</b>	<b>1439</b>	<b>RF, BS, TM</b>
		1200	<b>*BS-250M</b>	<b>575 V</b>	<b>BC6M060-5SD</b>	<b>\$11,916</b>	<b>93.6</b>	<b>985</b>	<b>1.25</b>	<b>56.00</b>	<b>1439</b>	<b>RF, BS, TM</b>
		1200	280S	230/460 V	BC6M060-4D	\$12,795	94.5	1030	1.25	70.00	1567	RF, EU, TM
		1200	280S	575 V	BC6M060-5D	\$12,795	94.5	1030	1.25	56.00	1567	RF, EU, TM
75	55	3600	<b>*BS-250S</b>	<b>230/460 V</b>	<b>BC2M075-4SD</b>	<b>\$10,235</b>	<b>95.4</b>	<b>985</b>	<b>1.25</b>	<b>79.30</b>	<b>1439</b>	<b>RF, BS, TM</b>
		3600	<b>*BS-250S</b>	<b>575 V</b>	<b>BC2M075-5SD</b>	<b>\$10,235</b>	<b>95.4</b>	<b>985</b>	<b>1.25</b>	<b>63.44</b>	<b>1439</b>	<b>RF, BS, TM</b>
		3600	250M	230/460 V	BC2M075-4D	\$10,235	93.6	985	1.25	79.30	1439	RF, EU, TM
		3600	250M	575 V	BC2M075-5D	\$10,235	93.6	985	1.25	63.44	1439	RF, EU, TM
		1800	<b>*BS-250S</b>	<b>230/460 V</b>	<b>BC4M075-4SD</b>	<b>\$10,464</b>	<b>95.4</b>	<b>985</b>	<b>1.25</b>	<b>81.30</b>	<b>1439</b>	<b>RF, BS, TM</b>
		1800	<b>*BS-250S</b>	<b>575 V</b>	<b>BC4M075-5SD</b>	<b>\$10,464</b>	<b>95.4</b>	<b>985</b>	<b>1.25</b>	<b>65.04</b>	<b>1439</b>	<b>RF, BS, TM</b>
		1800	250M	230/460 V	BC4M075-4D	\$10,464	95.4	985	1.25	81.30	1439	RF, EU, TM
		1800	250M	575 V	BC4M075-5D	\$10,464	95.4	985	1.25	65.04	1439	RF, EU, TM
		1200	<b>*BS-280S</b>	<b>230/460 V</b>	<b>BC6M075-4SD</b>	<b>\$13,870</b>	<b>94.1</b>	<b>1030</b>	<b>1.25</b>	<b>87.70</b>	<b>1567</b>	<b>RF, BS, TM</b>
		1200	<b>*BS-280S</b>	<b>575 V</b>	<b>BC6M075-5SD</b>	<b>\$13,870</b>	<b>94.1</b>	<b>1030</b>	<b>1.25</b>	<b>70.10</b>	<b>1567</b>	<b>RF, BS, TM</b>
		1200	280M	230/460 V	BC6M075-4D	\$13,870	94.5	1070	1.25	87.70	1951	RF, EU, TM
		1200	280M	575 V	BC6M075-5D	\$13,870	94.5	1070	1.25	70.10	1951	RF, EU, TM

Discount Category **18**

\*Motor Part Numbers Ending in "SD" Have British Standard Dimensions

IEC/Metric  
Aluminum

IEC/Metric  
Cast Iron

ATEX EEXD IIB  
Explosion Proof

ATEX EEXDE IIC  
Explosion Proof

ATEX EEXNA  
Non-Sparking

IEC/Metric  
Brake Motor

	HP	Kw	RPM	Frame	Voltage	P/N	List	FL Eff.	L Dim. (mm)	S.F. 60 Hz	FL Amps	LBS	Notes
IEC/Metric Aluminum	100	75	3600	<i>*BS-250M</i>	230/460 V	<i>BC2M100-4SD</i>	\$12,439	94.1	985	1.25	110.00	1439	RF, BS, TM
			3600	<i>*BS-250M</i>	575 V	<i>BC2M100-5SD</i>	\$12,439	94.1	985	1.25	88.00	1439	RF, BS, TM
			3600	280S	230/460 V	BC2M100-4D	\$13,839	94.1	1030	1.25	110.00	1567	RF, EU, TM
			3600	280S	575 V	BC2M100-5D	\$13,839	94.1	1030	1.25	88.00	1567	RF, EU, TM
			1800	<i>*BS-250M</i>	230/460 V	<i>BC4M100-4SD</i>	\$12,914	94.1	985	1.25	116.00	1439	RF, BS, TM
			1800	<i>*BS-250M</i>	575 V	<i>BC4M100-5SD</i>	\$12,914	94.1	985	1.25	92.80	1439	RF, BS, TM
			1800	280SE	230/460 V	BC4M100-4D	\$14,323	95.4	1030	1.25	116.00	1567	RF, EU, TM
			1800	280SE	575 V	BC4M100-5D	\$14,323	95.4	1030	1.25	92.80	1567	RF, EU, TM
			1200	<i>*BS-280M</i>	230/460 V	<i>BC6M100-4SD</i>	\$23,290	94.5	1070	1.25	115.00	1951	RF, BS, TM
			1200	<i>*BS-280M</i>	575 V	<i>BC6M100-5SD</i>	\$23,290	94.5	1070	1.25	92.00	1951	RF, BS, TM
			1200	315S	230/460 V	BC6M100-4D	\$26,288	95	1070	1.25	115.00	2419	RF, EU, TM
			1200	315S	575 V	BC6M100-5D	\$26,288	95	1070	1.25	92.00	2419	RF, EU, TM
ATEX EEXD IIB Explosion Proof	125	90	3600	<i>*BS-280S</i>	460 V	<i>BC2M125-9SD</i>	\$14,572	95.4	1030	1.25	137.00	1567	RF, BS, TM
			3600	<i>*BS-280S</i>	575 V	<i>BC2M125-5SD</i>	\$14,572	95.4	1030	1.25	109.60	1567	RF, BS, TM
			3600	280M	460 V	BC2M125-9D	\$14,572	95	1070	1.25	137.00	1951	RF, EU, TM
			3600	280M	575 V	BC2M125-5D	\$14,572	95	1070	1.25	109.60	1951	RF, EU, TM
			1800	<i>*BS-280S</i>	460 V	<i>BC4M125-9SD</i>	\$14,971	95.4	1030	1.25	144.00	1567	RF, BS, TM
			1800	<i>*BS-280S</i>	575 V	<i>BC4M125-5SD</i>	\$14,971	95.4	1030	1.25	115.20	1567	RF, BS, TM
			1800	280M	460 V	BC4M125-9D	\$14,971	95.4	1070	1.25	144.00	1951	RF, EU, TM
			1800	280M	575 V	BC4M125-5D	\$14,971	95.4	1070	1.25	115.20	1951	RF, EU, TM
			1200	<i>*BS-315S</i>	460 V	<i>BC6M125-9SD</i>	\$26,472	95	1115	1.25	145.00	2419	RF, BS, TM
			1200	<i>*BS-315S</i>	575 V	<i>BC6M125-5SD</i>	\$26,472	95	1115	1.25	116.00	2419	RF, BS, TM
			1200	315M	460 V	BC6M125-9D	\$26,472	95	1215	1.25	145.00	2598	RF, EU, TM
			1200	315M	575 V	BC6M125-5D	\$26,472	95	1215	1.25	116.00	2598	RF, EU, TM
ATEX EEXNA Non-Sparking	150	110	3600	<i>*BS-280M</i>	460 V	<i>BC2M150-9SD</i>	\$25,677	95	1070	1.25	161.00	1951	RF, BS, TM
			3600	<i>*BS-280M</i>	575 V	<i>BC2M150-5SD</i>	\$25,677	95	1070	1.25	128.80	1951	RF, BS, TM
			3600	315S	460 V	BC2M150-9D	\$28,866	95	1115	1.25	161.00	2419	RF, EU, TM
			3600	315S	575 V	BC2M150-5D	\$28,866	95	1115	1.25	128.80	2419	RF, EU, TM
			1800	<i>*BS-280M</i>	460 V	<i>BC4M150-9SD</i>	\$23,532	95.4	1070	1.25	170.00	1951	RF, BS, TM
			1800	<i>*BS-280M</i>	575 V	<i>BC4M150-5SD</i>	\$23,532	95.4	1070	1.25	136.00	1951	RF, BS, TM
			1800	315S	460 V	BC4M150-9D	\$26,010	95.8	1115	1.25	170.00	2419	RF, EU, TM
			1800	315S	575 V	BC4M150-5D	\$26,010	95.8	1115	1.25	136.00	2419	RF, EU, TM
			1200	<i>*BS-315M</i>	460 V	<i>BC6M150-9SD</i>	\$29,592	95	1215	1.25	170.00	2598	RF, BS, TM
			1200	<i>*BS-315M</i>	575 V	<i>BC6M150-5SD</i>	\$29,592	95	1215	1.25	136.00	2598	RF, BS, TM
			1200	315L	460 V	BC6M150-9D	\$29,592	95.8	1315	1.25	170.00	2865	RF, EU, TM
			1200	315L	575 V	BC6M150-5D	\$29,592	95.8	1315	1.25	136.00	2865	RF, EU, TM
IEC/Metric Brake Motor	200	150	3600	315M	460 V	BC2M200-9D	\$29,211	95.4	1185	1.25	215.00	2598	RF, EU, TM
			3600	315M	575 V	BC2M200-5D	\$29,211	95.4	1185	1.25	172.00	2598	RF, EU, TM
			1800	315M	460 V	BC4M200-9D	\$30,231	96.2	1215	1.25	221.00	2598	RF, EU, TM
			1800	315M	575 V	BC4M200-5D	\$30,231	96.2	1215	1.25	176.80	2598	RF, EU, TM

Discount Category **18**

**\*Motor Part Numbers Ending in "SD" Have British Standard Dimensions**

**Larger Ratings Available By Special Order in Both Low and Medium Voltage Designs.  
Please Contact Brook Crompton for Pricing.**

IEC/Metric  
Aluminum

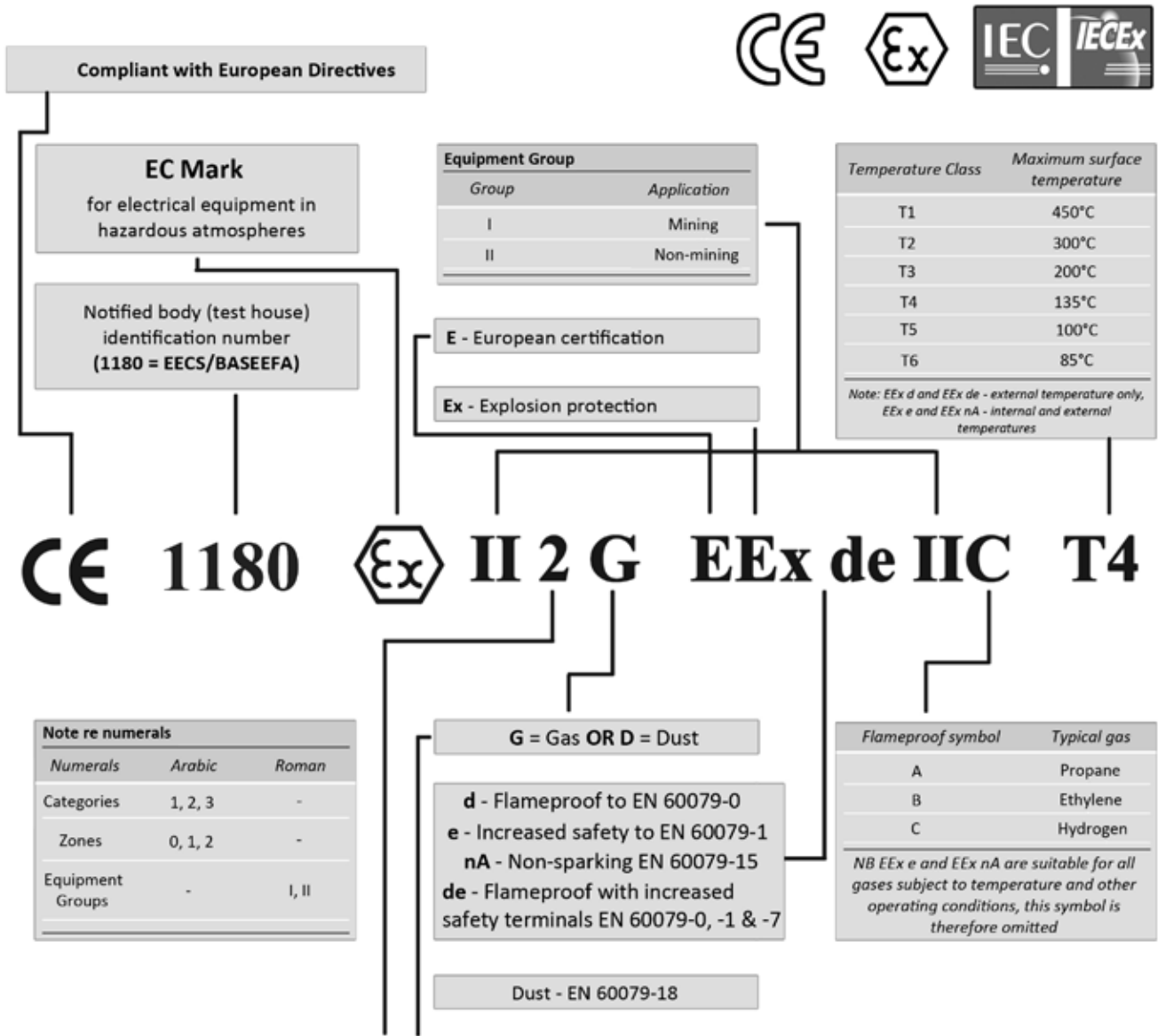
IEC/Metric  
Cast Iron

ATEX EEXD IIB  
Explosion Proof

ATEX EEXDE IIC  
Explosion Proof

ATEX EEXNA  
Non-Sparking

IEC/Metric  
Brake Motor



Equipment category		
Gas symbol G	Dust symbol D	Zone Criteria Presence of Gas or Dust
Category 1 Zone 0	Category 1 Zone 20	Continuously or very long period
Category 2 Zone 1	Category 2 Zone 21	Present in normal operation
Category 3 Zone 2	Category 3 Zone 22	Unlikely but if present, then only for a short time

Note: Category 1, Zone 0 and Zone 20 are not applicable to **electric motors**

Dust are marked differently, eg:  
**CE 1180 Ex II 2 D T125°C**  
 T125°C = certified external surface temperature





IEC/Metric  
Aluminium

IEC/Metric  
Cast Iron

ATEX EEXD IIB  
Explosion Proof

ATEX EEXDE IIC  
Explosion Proof

ATEX EEXNA  
Non-Sparking

IEC/Metric  
Brake Motor



ATEX/IECex EExd IIB Explosion Proof Motors. Features Include:

- Ex II 2G Ex db IIB T4 Gb
- Motors comply with IEC 60034, IEC 60072, IEC 60079
- Certified by BASEEFA & ATEX, with IECex certification on frame sizes 90S to 180M
- Zone 1, Groups IIA & IIB
- TEFC enclosure
- All motors suitable for T4 applications
- Cast iron construction
- Class F insulation
- Service factor 1.0 50Hz
- 380-415V/660-720V/3PH/50HZ
- 440-480V/3PH/60HZ
- Right mount to left mount terminal box convertible up to 180 frame by factory modification
- 200 frame and above have removable/ repositionable feet for easy conversion to terminal box on top, left, right, or round body configuration
- 3 year warranty

**Notes:**

**BS** - British Standard Dimensions  
**X** - Motors Are For Export Only  
**RF** - Removable Feet  
**EX** - IECEx Rated

# ATEX/IECex EEXD IIB Explosion Proof 90S-315M - TEFC B3 (Foot Mount) - Cast Iron



HP	Kw	RPM	Frame	Voltage	P/N	List	FL Eff.	L Dim. (mm)	S.F. 50 Hz	FL Amps	LBS	Notes
1	0.75	1500	EF90S	380-415 V	AB4M001-E	\$1,237	75	308	1.0	1.90	66	BS, X, EX
		1000	EF90S	380-415 V	AB6M001-E	\$1,297	65	308	1.0	2.40	66	BS, X, EX
1.5	1.1	3000	EF90S	380-415 V	AB2M1.5-E	\$1,340	78	308	1.0	2.30	66	BS, X, EX
		1500	EF90S	380-415 V	AB4M1.5-E	\$1,237	77	308	1.0	2.70	66	BS, X, EX
		1000	EF90L	380-415 V	AB6M1.5-E	\$1,439	70	333	1.0	3.20	75	BS, X, EX
2	1.5	3000	EF90S	380-415 V	AB2M002-E	\$1,340	79	308	1.0	3.10	66	BS, X, EX
		1500	EF90L	380-415 V	AB4M002-E	\$1,365	79	333	1.0	3.50	75	BS, X, EX
		1000	EF100L	380-415 V	AB6M002-E	\$1,714	76	394	1.0	4.20	101	BS, X, EX
3	2.2	3000	EF90L	380-415 V	AB2M003-E	\$1,573	81	333	1.0	4.30	75	BS, X, EX
		1500	EF100L	380-415 V	AB4M003-E	\$1,612	81	394	1.0	4.80	101	BS, X, EX
		1000	EF112M	380-415 V	AB6M003-E	\$2,161	77	391	1.0	5.80	128	BS, X, EX
4	3	3000	EF100L	380-415 V	AB2M004-E	\$1,715	84	394	1.0	5.50	101	BS, X, EX
		1500	EF100L	380-415 V	AB4M004-E	\$1,665	83	394	1.0	6.70	101	BS, X, EX
		1000	EF132S	380-415 V	AB6M004-E	\$2,618	82	467	1.0	6.60	176	BS, X, EX
5.5	4	3000	EF112M	380-415 V	AB2M5.5-E	\$2,067	85	391	1.0	7.20	128	BS, X, EX
		1500	EF112M	380-415 V	AB4M5.5-E	\$1,947	84.5	391	1.0	8.10	128	BS, X, EX
		1000	EF132M	380-415 V	AB6M5.5-E	\$3,144	83	505	1.0	9.10	212	BS, X, EX
7.5	5.5	3000	EF132S	380-415 V	AB2M7.5-E	\$2,612	87	467	1.0	9.90	176	BS, X, EX
		1500	EF132S	380-415 V	AB4M7.5-E	\$2,393	86	467	1.0	10.70	176	BS, X, EX
		1000	EF132M	380-415 V	AB6M7.5-E	\$3,647	85	505	1.0	12.30	212	BS, X, EX
10	7.5	3000	EF132S	380-415 V	AB2M010-E	\$3,051	88	467	1.0	13.50	176	BS, X, EX
		1500	EF132M	380-415 V	AB4M010-E	\$2,908	87	505	1.0	14.30	212	BS, X, EX
		1000	EF160M	380-415 V	AB6M010-E	\$4,283	87	605	1.0	16.00	317	BS, X, EX
15	11	3000	EF160M	380-415 V	AB2M015-E	\$3,643	89	605	1.0	19.80	317	BS, X, EX
		1500	EF160M	380-415 V	AB4M015-E	\$3,662	90	605	1.0	19.80	317	BS, X, EX
		1000	EF160L	380-415 V	AB6M015-E	\$5,449	87	650	1.0	23.10	357	BS, X, EX
20	15	3000	EF160M	380-415 V	AB2M020-E	\$4,236	90	605	1.0	26.10	317	BS, X, EX
		1500	EF160L	380-415 V	AB4M020-E	\$4,657	90	650	1.0	25.80	357	BS, X, EX
		1000	EF180L	380-415 V	AB6M020-E	\$7,370	87.5	710	1.0	29.10	492	BS, X, EX
25	18.5	3000	EF160L	380-415 V	AB2M025-E	\$5,119	91.5	650	1.0	32.00	357	BS, X, EX
		1500	EF180M	380-415 V	AB4M025-E	\$5,799	91	672	1.0	32.00	458	BS, X, EX
		1000	EF200L	380-415 V	358E314WC-00	\$9,418	91	810	1.0	35.00	750	BS, X, RF
30	22	3000	EF180M	380-415 V	AB2M030-E	\$6,496	91.5	672	1.0	36.00	458	BS, X, EX
		1500	EF180L	380-415 V	AB4M030-E	\$6,824	91	710	1.0	40.00	492	BS, X, EX
		1000	EF200L	380-415 V	358E315WC-00	\$12,013	91.5	810	1.0	42.00	750	BS, X, RF
40	30	3000	EF200L	380-415 V	358E116WC-00	\$8,908	92.9	810	1.0	50.00	750	BS, X, RF
		1500	EF200L	380-415 V	358E216WC-00	\$8,484	93.2	810	1.0	51.00	750	BS, X, RF
		1000	EF225M	380-415 V	358E316WC-00	\$14,872	92.7	915	1.0	56.00	981	BS, X, RF
50	37	3000	EF200L	380-415 V	358E117WC-00	\$11,295	93.3	810	1.0	62.00	750	BS, X, RF
		1500	EF225S	380-415 V	358E217WC-00	\$10,638	93.6	873	1.0	64.00	816	BS, X, RF
		1000	EF250S	380-415 V	358E317WC-00	\$18,248	93.2	985	1.0	67.00	1089	BS, X, RF
60	45	3000	EF225M	380-415 V	358E118WC-00	\$14,215	93.9	885	1.0	74.00	981	BS, X, RF
		1500	EF225M	380-415 V	358E218WC-00	\$13,162	94.2	915	1.0	77.00	981	BS, X, RF
		1000	EF250M	380-415 V	358E318WC-00	\$21,947	93.4	1030	1.0	81.00	1530	BS, X, RF
75	55	3000	EF250S	380-415 V	358E119WC-00	\$17,262	94.4	985	1.0	90.00	1089	BS, X, RF
		1500	EF250S	380-415 V	358E219WC-00	\$16,440	94.6	985	1.0	94.00	1089	BS, X, RF
		1000	EF280S	380-415 V	358E319WC-00	\$25,644	93.8	1100	1.0	98.00	1664	BS, X, RF
100	75	3000	EF250M	380-415 V	358E120WC-00	\$20,760	95.2	1030	1.0	122.00	1530	BS, X, RF
		1500	EF250M	380-415 V	358E220WC-00	\$19,772	94.9	1030	1.0	126.00	1530	BS, X, RF
		1000	EF280M	380-415 V	358E320WC-00	\$30,115	94.3	1145	1.0	132.00	1962	BS, X, RF

Discount Category **21**

IEC/Metric  
Aluminum

IEC/Metric  
Cast Iron

ATEX EEXD IIB  
Explosion Proof

ATEX EEXDE IIC  
Explosion Proof

ATEX EEXNA  
Non-Sparking

IEC/Metric  
Brake Motor

HP	Kw	RPM	Frame	Voltage	P/N	List	FL Eff.	L Dim. (mm)	S.F. 50 Hz	FL Amps	LBS	Notes
125	90	3000	EF280S	380-415 V	358E121WC-00	\$24,154	95.3	1100	1.0	146.00	1664	BS, X, RF
		1500	EF280S	380-415 V	358E221WC-00	\$23,103	95.2	1100	1.0	151.00	1664	BS, X, RF
		1000	EF315S	380-415 V	358E321WC-00	\$42,667	94.5	1215	1.0	158.00	2535	BS, X, RF
150	110	3000	EF280M	380-415 V	358E122WC-00	\$28,488	95.8	1145	1.0	177.00	1962	BS, X, RF
		1500	EF280M	380-415 V	358E222WC-00	\$27,132	95.6	1145	1.0	184.00	1962	BS, X, RF
		1000	EF315M	380-415 V	358E322WC-00	\$47,827	94.8	1245	1.0	190.00	2976	BS, X, RF
200	150	3000	EF315M	380-415 V	358E123WC-00	\$45,246	96.2	1215	1.0	238.00	2976	BS, X, RF
		1500	EF315M	380-415 V	358E223WC-00	\$43,090	95.9	1245	1.0	247.00	2976	BS, X, RF

**Discount Category 21**

IEC/Metric  
Aluminum

IEC/Metric  
Cast Iron

ATEX EEXD IIB  
Explosion Proof

ATEX EEXDE IIC  
Explosion Proof

ATEX EEXNA  
Non-Sparking

IEC/Metric  
Brake Motor

# ATEX/IECex EEXD IIB Explosion Proof 90S-315M - TEFC B14 (C-Face With B3 Feet) - Cast Iron



HP	Kw	RPM	Frame	Voltage	P/N	List	FL Eff.	L Dim. (mm)	S.F. 50 Hz	FL Amps	LBS	Notes
1	0.75	1500	EF90S	380-415 V	AB4M001-EC	\$1,685	75	308	1.0	1.90	76	BS, X, EX
		1000	EF90S	380-415 V	AB6M001-EC	\$1,745	65	308	1.0	2.40	76	BS, X, EX
1.5	1.1	3000	EF90S	380-415 V	AB2M1.5-EC	\$1,788	78	308	1.0	2.30	76	BS, X, EX
		1500	EF90S	380-415 V	AB4M1.5-EC	\$1,685	77	308	1.0	2.70	76	BS, X, EX
2	1.5	1000	EF90L	380-415 V	AB6M1.5-EC	\$1,887	70	333	1.0	3.20	85	BS, X, EX
		3000	EF90S	380-415 V	AB2M002-EC	\$1,788	79	308	1.0	3.10	80	BS, X, EX
		1500	EF90L	380-415 V	AB4M002-EC	\$1,813	79	333	1.0	3.50	85	BS, X, EX
3	2.2	1000	EF100L	380-415 V	AB6M002-EC	\$2,198	76	394	1.0	4.20	120	BS, X, EX
		3000	EF90L	380-415 V	AB2M003-EC	\$2,021	81	333	1.0	4.30	85	BS, X, EX
		1500	EF100L	380-415 V	AB4M003-EC	\$2,096	81	394	1.0	4.80	120	BS, X, EX
4	3	1000	EF112M	380-415 V	AB6M003-EC	\$2,645	77	391	1.0	5.80	140	BS, X, EX
		3000	EF100L	380-415 V	AB2M004-EC	\$2,199	84	394	1.0	5.50	120	BS, X, EX
		1500	EF100L	380-415 V	AB4M004-EC	\$2,149	83	394	1.0	6.70	120	BS, X, EX
5.5	4	1000	EF132S	380-415 V	AB6M004-EC	\$3,168	82	467	1.0	6.60	195	BS, X, EX
		3000	EF112M	380-415 V	AB2M5.5-EC	\$2,551	85	391	1.0	7.20	140	BS, X, EX
		1500	EF112M	380-415 V	AB4M5.5-EC	\$2,431	84.5	391	1.0	8.10	140	BS, X, EX
7.5	5.5	1000	EF132M	380-415 V	AB6M5.5-EC	\$3,694	83	505	1.0	9.10	235	BS, X, EX
		3000	EF132S	380-415 V	AB2M7.5-EC	\$3,162	87	467	1.0	9.90	192	BS, X, EX
		1500	EF132S	380-415 V	AB4M7.5-EC	\$2,943	86	467	1.0	10.70	192	BS, X, EX
10	7.5	1000	EF132M	380-415 V	AB6M7.5-EC	\$4,197	85	505	1.0	12.30	235	BS, X, EX
		3000	EF132S	380-415 V	AB2M010-EC	\$3,601	88	467	1.0	13.50	192	BS, X, EX
		1500	EF132M	380-415 V	AB4M010-EC	\$3,458	87	505	1.0	14.30	235	BS, X, EX
15	11	1000	EF160M	380-415 V	AB6M010-EC	\$5,307	87	605	1.0	16.00	336	BS, X, EX
		3000	EF160M	380-415 V	AB2M015-EC	\$4,667	89	605	1.0	19.80	336	BS, X, EX
		1500	EF160M	380-415 V	AB4M015-EC	\$4,686	90	605	1.0	19.80	336	BS, X, EX
20	15	1000	EF160L	380-415 V	AB6M015-EC	\$6,473	87	650	1.0	23.10	369	BS, X, EX
		3000	EF160M	380-415 V	AB2M020-EC	\$5,260	90	605	1.0	26.10	336	BS, X, EX
25	18.5	3000	EF160L	380-415 V	AB4M020-EC	\$5,681	90	650	1.0	25.80	336	BS, X, EX
25	18.5	3000	EF160L	380-415 V	AB2M025-EC	\$6,143	91.5	650	1.0	32.00	336	BS, X, EX

Discount Category **21**

IEC/Metric Aluminum  
IEC/Metric Cast Iron  
ATEX EEXD IIB Explosion Proof  
ATEX EEXDE IIC Explosion Proof  
ATEX EEXNA Non-Sparking  
IEC/Metric Brake Motor

**ATEX/IECex EEXD IIB Explosion Proof 90S-315M - TEFC  
B5 (D-Flange With B3 Feet) - Cast Iron**

IEC/Metric Aluminum

IEC/Metric Cast Iron

ATEX EEXD IIB Explosion Proof

ATEX EEXDE IIC Explosion Proof

ATEX EEXNA Non-Sparking

IEC/Metric Brake Motor

HP	Kw	RPM	Frame	Voltage	P/N	List	FL Eff.	L Dim. (mm)	S.F. 50 Hz	FL Amps	LBS	Notes
1	0.75	1500	EF90S	380-415 V	AB4M001-ED	\$1,685	75	308	1.0	1.90	76	BS, X, EX
		1000	EF90S	380-415 V	AB6M001-ED	\$1,745	65	308	1.0	2.40	76	BS, X, EX
1.5	1.1	3000	EF90S	380-415 V	AB2M1.5-ED	\$1,788	78	308	1.0	2.30	76	BS, X, EX
		1500	EF90S	380-415 V	AB4M1.5-ED	\$1,685	77	308	1.0	2.70	76	BS, X, EX
2	1.5	1000	EF90L	380-415 V	AB6M1.5-ED	\$1,887	70	333	1.0	3.20	85	BS, X, EX
		3000	EF90S	380-415 V	AB2M002-ED	\$1,788	79	308	1.0	3.10	80	BS, X, EX
		1500	EF90L	380-415 V	AB4M002-ED	\$1,813	79	333	1.0	3.50	85	BS, X, EX
		1000	EF100L	380-415 V	AB6M002-ED	\$2,198	76	394	1.0	4.20	120	BS, X, EX
3	2.2	3000	EF90L	380-415 V	AB2M003-ED	\$2,021	81	333	1.0	4.30	85	BS, X, EX
		1500	EF100L	380-415 V	AB4M003-ED	\$2,096	81	394	1.0	4.80	120	BS, X, EX
4	3	1000	EF112M	380-415 V	AB6M003-ED	\$2,645	77	391	1.0	5.80	140	BS, X, EX
		3000	EF100L	380-415 V	AB2M004-ED	\$2,199	84	394	1.0	5.50	120	BS, X, EX
		1500	EF100L	380-415 V	AB4M004-ED	\$2,149	83	394	1.0	6.70	120	BS, X, EX
5.5	4	1000	EF132S	380-415 V	AB6M004-ED	\$3,168	82	467	1.0	6.60	195	BS, X, EX
		3000	EF112M	380-415 V	AB2M5.5-ED	\$2,551	85	391	1.0	7.20	140	BS, X, EX
		1500	EF112M	380-415 V	AB4M5.5-ED	\$2,431	84.5	391	1.0	8.10	140	BS, X, EX
7.5	5.5	1000	EF132M	380-415 V	AB6M5.5-ED	\$3,694	83	505	1.0	9.10	235	BS, X, EX
		3000	EF132S	380-415 V	AB2M7.5-ED	\$3,162	87	467	1.0	9.90	192	BS, X, EX
		1500	EF132S	380-415 V	AB4M7.5-ED	\$2,943	86	467	1.0	10.70	192	BS, X, EX
10	7.5	1000	EF132M	380-415 V	AB6M7.5-ED	\$4,197	85	505	1.0	12.30	235	BS, X, EX
		3000	EF132S	380-415 V	AB2M010-ED	\$3,601	88	467	1.0	13.50	192	BS, X, EX
		1500	EF132M	380-415 V	AB4M010-ED	\$3,458	87	505	1.0	14.30	235	BS, X, EX
15	11	1000	EF160M	380-415 V	AB6M010-ED	\$5,307	87	605	1.0	16.00	336	BS, X, EX
		3000	EF160M	380-415 V	AB2M015-ED	\$4,667	89	605	1.0	19.80	336	BS, X, EX
		1500	EF160M	380-415 V	AB4M015-ED	\$4,686	90	605	1.0	19.80	336	BS, X, EX
20	15	1000	EF160L	380-415 V	AB6M015-ED	\$6,473	87	650	1.0	23.10	369	BS, X, EX
		3000	EF160M	380-415 V	AB2M020-ED	\$5,260	90	605	1.0	26.10	336	BS, X, EX
		1500	EF160L	380-415 V	AB4M020-ED	\$5,681	90	650	1.0	25.80	372	BS, X, EX
25	18.5	1000	EF180L	380-415 V	AB6M020-ED	\$8,580	87.5	710	1.0	29.10	512	BS, X, EX
		3000	EF160L	380-415 V	AB2M025-ED	\$6,143	91.5	650	1.0	32.00	372	BS, X, EX
		1500	EF180M	380-415 V	AB4M025-ED	\$7,009	91	672	1.0	32.00	473	BS, X, EX
30	22	1000	EF200L	380-415 V	358E314WC-04	\$11,528	91	810	1.0	35.00	770	BS, X, RF
		3000	EF180M	380-415 V	AB2M030-ED	\$7,706	91.5	672	1.0	36.00	473	BS, X, EX
		1500	EF180L	380-415 V	AB4M030-ED	\$8,034	91	710	1.0	40.00	512	BS, X, EX
40	30	1000	EF200L	380-415 V	358E315WC-04	\$14,123	91.5	810	1.0	42.00	770	BS, X, RF
		3000	EF200L	380-415 V	358E116WC-04	\$11,018	92.9	810	1.0	50.00	770	BS, X, RF
		1500	EF200L	380-415 V	358E216WC-04	\$10,594	93.2	810	1.0	51.00	770	BS, X, RF
50	37	1000	EF225M	380-415 V	358E316WC-04	\$17,604	92.7	915	1.0	56.00	1002	BS, X, RF
		3000	EF200L	380-415 V	358E117WC-04	\$13,405	93.3	810	1.0	62.00	770	BS, X, RF
		1500	EF225S	380-415 V	358E217WC-04	\$13,370	93.6	873	1.0	64.00	832	BS, X, RF
60	45	1000	EF250S	380-415 V	358E317WC-04	\$21,042	93.2	985	1.0	67.00	1106	BS, X, RF
		3000	EF225M	380-415 V	358E118WC-04	\$16,947	93.9	885	1.0	74.00	1002	BS, X, RF
		1500	EF225M	380-415 V	358E218WC-04	\$15,894	94.2	915	1.0	77.00	1002	BS, X, RF
75	55	1000	EF250M	380-415 V	358E318WC-04	\$24,741	93.4	1030	1.0	81.00	1552	BS, X, RF
		3000	EF250S	380-415 V	358E119WC-04	\$20,056	94.4	985	1.0	90.00	1106	BS, X, RF
		1500	EF250S	380-415 V	358E219WC-04	\$19,234	94.6	985	1.0	94.00	1106	BS, X, RF
100	75	1000	EF280S	380-415 V	358E319WC-04	\$28,820	93.8	1100	1.0	98.00	1690	BS, X, RF
		3000	EF250M	380-415 V	358E120WC-04	\$23,554	95.2	1030	1.0	122.00	1552	BS, X, RF
		1500	EF250M	380-415 V	358E220WC-04	\$22,566	94.9	1030	1.0	126.00	1552	BS, X, RF
		1000	EF280M	380-415 V	358E320WC-04	\$33,291	94.3	1145	1.0	132.00	1990	BS, X, RF

Discount Category **21**

# ATEX/IECex EEXD IIB Explosion Proof 90S-315M - TEFC B5 (D-Flange With B3 Feet) - Cast Iron



HP	Kw	RPM	Frame	Voltage	P/N	List	FL Eff.	L Dim. (mm)	S.F. 50 Hz	FL Amps	LBS	Notes
125	90	3000	EF280S	380-415 V	358E121WC-04	\$27,330	95.3	1100	1.0	146.00	1690	BS, X, RF
		1500	EF280S	380-415 V	358E221WC-04	\$26,279	95.2	1100	1.0	151.00	1690	BS, X, RF
		1000	EF315S	380-415 V	358E321WC-04	\$46,247	94.5	1215	1.0	158.00	2552	BS, X, RF
150	110	3000	EF280M	380-415 V	358E122WC-04	\$31,664	95.8	1145	1.0	177.00	1990	BS, X, RF
		1500	EF280M	380-415 V	358E222WC-04	\$30,308	95.6	1145	1.0	184.00	1990	BS, X, RF
		1000	EF315M	380-415 V	358E322WC-04	\$51,407	94.8	1245	1.0	190.00	2992	BS, X, RF
200	150	3000	EF315M	380-415 V	358E123WC-04	\$48,826	96.2	1215	1.0	238.00	2992	BS, X, RF
		1500	EF315M	380-415 V	358E223WC-04	\$46,670	95.9	1245	1.0	247.00	2992	BS, X, RF

Discount Category **21**

IEC/Metric  
Aluminum

IEC/Metric  
Cast Iron

ATEX EEXD IIB  
Explosion Proof

ATEX EEXDE IIC  
Explosion Proof

ATEX EEXNA  
Non-Sparking

IEC/Metric  
Brake Motor

IEC/Metric  
Aluminium

IEC/Metric  
Cast Iron

ATEX EEXD IIB  
Explosion Proof

ATEX EEXDE IIC  
Explosion Proof

ATEX EEXNA  
Non-Sparking

IEC/Metric  
Brake Motor



ATEX/IECex EExde IIC Explosion Proof Motors. Features Include:

- Ex II 2G Ex db IIC T4 Gb & IECex
- Motors comply with IEC 60034, IEC 60072/EN50347, IEC 60079
- Certified by BASEEFA / ATEX / IECex
- Zone 1, Groups IIA, IIB & IIC
- TEFC enclosure
- All motors suitable for T4 applications
- Cast iron construction
- Class F insulation
- Service factor 1.0 50Hz
- 380-415V/660-720V/3PH/50HZ
- 440-480V/3PH/60HZ
- Right mount to left mount terminal box convertible up to 180 frame by factory modification
- 200 frame and above have removable/ repositionable feet for easy conversion to terminal box on top, left, right, or round body configuration
- 3 year warranty

**Notes:**

**BS** - British Standard Dimensions  
**X** - Motors Are For Export Only  
**EX** - IECEx Rated

**ATEX/IECex EEXDE IIC Explosion Proof IEC 90S-315M - TEFC  
B3 (Foot Mount) - Cast Iron**



HP	Kw	RPM	Frame	Voltage	P/N	List	FL Eff.	L Dim. (mm)	S.F. 50 Hz	FL Amps	LBS	Notes
1	0.75	1500	EF90S	380-415 V	AC4M001-E	\$1,877	75	308	1.0	1.90	66	BS, X, EX
		1000	EF90S	380-415 V	AC6M001-E	\$1,817	65	308	1.0	2.40	66	BS, X, EX
1.5	1.1	3000	EF90S	380-415 V	AC2M1.5-E	\$1,877	78	308	1.0	2.30	66	BS, X, EX
		1500	EF90S	380-415 V	AC4M1.5-E	\$1,639	77	308	1.0	2.70	66	BS, X, EX
		1000	EF90L	380-415 V	AC6M1.5-E	\$2,015	70	333	1.0	3.20	75	BS, X, EX
2	1.5	3000	EF90S	380-415 V	AC2M002-E	\$1,874	79	308	1.0	3.10	66	BS, X, EX
		1500	EF90L	380-415 V	AC4M002-E	\$1,817	79	333	1.0	3.50	75	BS, X, EX
		1000	EF100L	380-415 V	AC6M002-E	\$2,213	76	394	1.0	4.20	101	BS, X, EX
3	2.2	3000	EF90L	380-415 V	AC2M003-E	\$2,203	81	333	1.0	4.30	75	BS, X, EX
		1500	EF100L	380-415 V	AC4M003-E	\$1,976	81	394	1.0	4.80	101	BS, X, EX
		1000	EF112M	380-415 V	AC6M003-E	\$3,028	77	391	1.0	5.80	128	BS, X, EX
4	3	3000	EF100L	380-415 V	AC2M004-E	\$2,365	84	394	1.0	5.50	101	BS, X, EX
		1500	EF100L	380-415 V	AC4M004-E	\$2,275	83	394	1.0	6.70	101	BS, X, EX
		1000	EF132S	380-415 V	AC6M004-E	\$3,668	82	467	1.0	6.60	176	BS, X, EX
5.5	4	3000	EF112M	380-415 V	AC2M5.5-E	\$2,896	85	391	1.0	7.20	128	BS, X, EX
		1500	EF112M	380-415 V	AC4M5.5-E	\$2,728	84.5	391	1.0	8.10	128	BS, X, EX
		1000	EF132M	380-415 V	AC6M5.5-E	\$4,404	83	505	1.0	9.10	212	BS, X, EX
7.5	5.5	3000	EF132S	380-415 V	AC2M7.5-E	\$3,470	87	467	1.0	9.90	176	BS, X, EX
		1500	EF132S	380-415 V	AC4M7.5-E	\$3,305	86	467	1.0	10.70	176	BS, X, EX
		1000	EF132M	380-415 V	AC6M7.5-E	\$5,109	85	505	1.0	12.30	212	BS, X, EX
10	7.5	3000	EF132S	380-415 V	AC2M010-E	\$4,275	88	467	1.0	13.50	176	BS, X, EX
		1500	EF132M	380-415 V	AC4M010-E	\$4,074	87	505	1.0	14.30	212	BS, X, EX
		1000	EF160M	380-415 V	AC6M010-E	\$6,000	87	605	1.0	16.00	317	BS, X, EX
15	11	3000	EF160M	380-415 V	AC2M015-E	\$5,103	89	605	1.0	19.80	317	BS, X, EX
		1500	EF160M	380-415 V	AC4M015-E	\$5,129	90	605	1.0	19.80	317	BS, X, EX
		1000	EF160L	380-415 V	AC6M015-E	\$7,633	87	650	1.0	23.10	357	BS, X, EX
20	15	3000	EF160M	380-415 V	AC2M020-E	\$5,934	90	605	1.0	26.10	317	BS, X, EX
		1500	EF160L	380-415 V	AC4M020-E	\$6,524	90	650	1.0	25.80	357	BS, X, EX
		1000	EF180L	380-415 V	AC6M020-E	\$10,324	87.5	710	1.0	29.10	492	BS, X, EX
25	18.5	3000	EF160L	380-415 V	AC2M025-E	\$7,171	91.5	650	1.0	32.00	357	BS, X, EX
		1500	EF180M	380-415 V	AC4M025-E	\$8,124	91	672	1.0	32.00	458	BS, X, EX
		1000	EF200L	380-415 V	AC6M025-E	\$13,194	91	810	1.0	35.00	750	BS, X
30	22	3000	EF180M	380-415 V	AC2M030-E	\$9,101	91.5	672	1.0	36.00	458	BS, X, EX
		1500	EF180L	380-415 V	AC4M030-E	\$9,559	91	710	1.0	40.00	492	BS, X, EX
		1000	EF200L	380-415 V	AC6M030-E	\$16,829	91.5	810	1.0	42.00	750	BS, X
40	30	3000	EF200L	380-415 V	AC2M040-E	\$12,479	92.9	810	1.0	50.00	750	BS, X
		1500	EF200L	380-415 V	AC4M040-E	\$11,885	93.2	810	1.0	51.00	750	BS, X
		1000	EF225M	380-415 V	AC6M040-E	\$20,834	92.7	915	1.0	56.00	981	BS, X
50	37	3000	EF200L	380-415 V	AC2M050-E	\$15,823	93.3	810	1.0	62.00	750	BS, X
		1500	EF225S	380-415 V	AC4M050-E	\$14,903	93.6	873	1.0	64.00	816	BS, X
		1000	EF250S	380-415 V	AC6M050-E	\$25,564	93.2	985	1.0	67.00	1089	BS, X
60	45	3000	EF225M	380-415 V	AC2M060-E	\$19,913	93.9	885	1.0	74.00	981	BS, X
		1500	EF225M	380-415 V	AC4M060-E	\$18,439	94.2	915	1.0	77.00	981	BS, X
		1000	EF250M	380-415 V	AC6M060-E	\$30,746	93.4	1030	1.0	81.00	1530	BS, X
75	55	3000	EF250S	380-415 V	AC2M075-E	\$24,182	94.4	985	1.0	90.00	1089	BS, X
		1500	EF250S	380-415 V	AC4M075-E	\$23,031	94.6	985	1.0	94.00	1089	BS, X
		1000	EF280S	380-415 V	AC6M075-E	\$35,924	93.8	1100	1.0	98.00	1664	BS, X
100	75	3000	EF250M	380-415 V	AC2M100-E	\$29,083	95.2	1030	1.0	122.00	1530	BS, X
		1500	EF250M	380-415 V	AC4M100-E	\$27,712	94.9	1030	1.0	126.00	1530	BS, X
		1000	EF280M	380-415 V	AC6M100-E	\$42,188	94.3	1145	1.0	132.00	1962	BS, X

**Discount Category 21**

IEC/Metric  
Aluminum

IEC/Metric  
Cast Iron

ATEX EEXD IIB  
Explosion Proof

ATEX EEXDE IIC  
Explosion Proof

ATEX EEXNA  
Non-Sparking

IEC/Metric  
Brake Motor



IEC/Metric  
Aluminum

IEC/Metric  
Cast Iron

ATEX EEXD IIB  
Explosion Proof

ATEX EEXDE IIC  
Explosion Proof

ATEX EEXNA  
Non-Sparking

IEC/Metric  
Brake Motor

HP	Kw	RPM	Frame	Voltage	P/N	List	FL Eff.	L Dim. (mm)	S.F. 50 Hz	FL Amps	LBS	Notes
125	90	3000	EF280S	380-415 V	AC2M125-E	\$33,982	95.3	1100	1.0	146.00	1664	BS, X, RF
		1500	EF280S	380-415 V	AC4M125-E	\$32,365	95.2	1100	1.0	151.00	1664	BS, X, RF
		1000	EF315S	380-415 V	AC6M125-E	\$59,772	94.5	1215	1.0	158.00	2535	BS, X, RF
150	110	3000	EF280M	380-415 V	AC2M150-E	\$39,909	95.8	1145	1.0	177.00	1962	BS, X, RF
		1500	EF280M	380-415 V	AC4M150-E	\$38,009	95.6	1145	1.0	184.00	1962	BS, X, RF
		1000	EF315M	380-415 V	AC6M150-E	\$67,000	94.8	1245	1.0	190.00	2976	BS, X, RF
200	150	3000	EF315M	380-415 V	AC2M200-E	\$63,384	96.2	1215	1.0	238.00	2976	BS, X, RF
		1500	EF315M	380-415 V	AC4M200-E	\$60,365	95.9	1245	1.0	247.00	2976	BS, X, RF

Discount Category **21**

**ATEX/IECex EEXDE IIC Explosion Proof IEC 90S-315M - TEFC  
B14 (C-Face With B3 Feet) - Cast Iron**



HP	Kw	RPM	Frame	Voltage	P/N	List	FL Eff.	L Dim. (mm)	S.F. 50 Hz	FL Amps	LBS	Notes
1	0.75	1500	EF90S	380-415 V	AC4M001-EC	\$2,325	75	308	1.0	1.90	76	BS, X, EX
		1000	EF90S	380-415 V	AC6M001-EC	\$2,265	65	308	1.0	2.40	76	BS, X, EX
1.5	1.1	3000	EF90S	380-415 V	AC2M1.5-EC	\$2,325	78	308	1.0	2.30	76	BS, X, EX
		1500	EF90S	380-415 V	AC4M1.5-EC	\$2,087	77	308	1.0	2.70	76	BS, X, EX
		1000	EF90L	380-415 V	AC6M1.5-EC	\$2,463	70	333	1.0	3.20	85	BS, X, EX
2	1.5	3000	EF90S	380-415 V	AC2M002-EC	\$2,322	79	308	1.0	3.10	80	BS, X, EX
		1500	EF90L	380-415 V	AC4M002-EC	\$2,265	79	333	1.0	3.50	85	BS, X, EX
		1000	EF100L	380-415 V	AC6M002-EC	\$2,697	76	394	1.0	4.20	120	BS, X, EX
3	2.2	3000	EF90L	380-415 V	AC2M003-EC	\$2,651	81	333	1.0	4.30	85	BS, X, EX
		1500	EF100L	380-415 V	AC4M003-EC	\$2,460	81	394	1.0	4.80	120	BS, X, EX
		1000	EF112M	380-415 V	AC6M003-EC	\$3,512	77	391	1.0	5.80	140	BS, X, EX
4	3	3000	EF100L	380-415 V	AC2M004-EC	\$2,849	84	394	1.0	5.50	120	BS, X, EX
		1500	EF100L	380-415 V	AC4M004-EC	\$2,759	83	394	1.0	6.70	120	BS, X, EX
		1000	EF132S	380-415 V	AC6M004-EC	\$4,218	82	467	1.0	6.60	195	BS, X, EX
5.5	4	3000	EF112M	380-415 V	AC2M5.5-EC	\$3,380	85	391	1.0	7.20	140	BS, X, EX
		1500	EF112M	380-415 V	AC4M5.5-EC	\$3,212	84.5	391	1.0	8.10	140	BS, X, EX
		1000	EF132M	380-415 V	AC6M5.5-EC	\$4,954	83	505	1.0	9.10	235	BS, X, EX
7.5	5.5	3000	EF132S	380-415 V	AC2M7.5-EC	\$4,020	87	467	1.0	9.90	192	BS, X, EX
		1500	EF132S	380-415 V	AC4M7.5-EC	\$3,855	86	467	1.0	10.70	192	BS, X, EX
		1000	EF132M	380-415 V	AC6M7.5-EC	\$5,659	85	505	1.0	12.30	235	BS, X, EX
10	7.5	3000	EF132S	380-415 V	AC2M010-EC	\$4,825	88	467	1.0	13.50	192	BS, X, EX
		1500	EF132M	380-415 V	AC4M010-EC	\$4,624	87	505	1.0	14.30	235	BS, X, EX
		1000	EF160M	380-415 V	AC6M010-EC	\$7,024	87	605	1.0	16.00	336	BS, X, EX
15	11	3000	EF160M	380-415 V	AC2M015-EC	\$6,127	89	605	1.0	19.80	336	BS, X, EX
		1500	EF160M	380-415 V	AC4M015-EC	\$6,153	90	605	1.0	19.80	336	BS, X, EX
		1000	EF160L	380-415 V	AC6M015-EC	\$8,657	87	650	1.0	23.10	369	BS, X, EX
20	15	3000	EF160M	380-415 V	AC2M020-EC	\$6,958	90	605	1.0	26.10	336	BS, X, EX
		1500	EF160L	380-415 V	AC4M020-EC	\$7,548	90	650	1.0	25.80	336	BS, X, EX
25	18.5	3000	EF160L	380-415 V	AC2M025-EC	\$8,195	91.5	650	1.0	32.00	336	BS, X, EX

**Discount Category 21**

IEC/Metric  
Aluminum

IEC/Metric  
Cast Iron

ATEX EEXD IIB  
Explosion Proof

ATEX EEXDE IIC  
Explosion Proof

ATEX EEXNA  
Non-Sparking

IEC/Metric  
Brake Motor

IEC/Metric  
Aluminum

IEC/Metric  
Cast Iron

ATEX EEXD IIB  
Explosion Proof

ATEX EEXDE IIC  
Explosion Proof

ATEX EEXNA  
Non-Sparking

IEC/Metric  
Brake Motor

HP	Kw	RPM	Frame	Voltage	P/N	List	FL Eff.	L Dim. (mm)	S.F. 50 Hz	FL Amps	LBS	Notes
1	0.75	1500	EF90S	380-415 V	AC4M001-ED	\$2,325	75	308	1.0	1.90	76	BS, X, EX
		1000	EF90S	380-415 V	AC6M001-ED	\$2,265	65	308	1.0	2.40	76	BS, X, EX
1.5	1.1	3000	EF90S	380-415 V	AC2M1.5-ED	\$2,325	78	308	1.0	2.30	76	BS, X, EX
		1500	EF90S	380-415 V	AC4M1.5-ED	\$2,087	77	308	1.0	2.70	76	BS, X, EX
		1000	EF90L	380-415 V	AC6M1.5-ED	\$2,463	70	333	1.0	3.20	85	BS, X, EX
2	1.5	3000	EF90S	380-415 V	AC2M002-ED	\$2,322	79	308	1.0	3.10	80	BS, X, EX
		1500	EF90L	380-415 V	AC4M002-ED	\$2,265	79	333	1.0	3.50	85	BS, X, EX
		1000	EF100L	380-415 V	AC6M002-ED	\$2,697	76	394	1.0	4.20	120	BS, X, EX
3	2.2	3000	EF90L	380-415 V	AC2M003-ED	\$2,651	81	333	1.0	4.30	85	BS, X, EX
		1500	EF100L	380-415 V	AC4M003-ED	\$2,460	81	394	1.0	4.80	120	BS, X, EX
		1000	EF112M	380-415 V	AC6M003-ED	\$3,512	77	391	1.0	5.80	140	BS, X, EX
4	3	3000	EF100L	380-415 V	AC2M004-ED	\$2,849	84	394	1.0	5.50	120	BS, X, EX
		1500	EF100L	380-415 V	AC4M004-ED	\$2,759	83	394	1.0	6.70	120	BS, X, EX
		1000	EF132S	380-415 V	AC6M004-ED	\$4,218	82	467	1.0	6.60	195	BS, X, EX
5.5	4	3000	EF112M	380-415 V	AC2M5.5-ED	\$3,380	85	391	1.0	7.20	140	BS, X, EX
		1500	EF112M	380-415 V	AC4M5.5-ED	\$3,212	84.5	391	1.0	8.10	140	BS, X, EX
		1000	EF132M	380-415 V	AC6M5.5-ED	\$4,954	83	505	1.0	9.10	235	BS, X, EX
7.5	5.5	3000	EF132S	380-415 V	AC2M7.5-ED	\$4,020	87	467	1.0	9.90	192	BS, X, EX
		1500	EF132S	380-415 V	AC4M7.5-ED	\$3,855	86	467	1.0	10.70	192	BS, X, EX
		1000	EF132M	380-415 V	AC6M7.5-ED	\$5,659	85	505	1.0	12.30	235	BS, X, EX
10	7.5	3000	EF132S	380-415 V	AC2M010-ED	\$4,825	88	467	1.0	13.50	192	BS, X, EX
		1500	EF132M	380-415 V	AC4M010-ED	\$4,624	87	505	1.0	14.30	235	BS, X, EX
		1000	EF160M	380-415 V	AC6M010-ED	\$7,024	87	605	1.0	16.00	336	BS, X, EX
15	11	3000	EF160M	380-415 V	AC2M015-ED	\$6,127	89	605	1.0	19.80	336	BS, X, EX
		1500	EF160M	380-415 V	AC4M015-ED	\$6,153	90	605	1.0	19.80	336	BS, X, EX
		1000	EF160L	380-415 V	AC6M015-ED	\$8,657	87	650	1.0	23.10	369	BS, X, EX
20	15	3000	EF160M	380-415 V	AC2M020-ED	\$6,958	90	605	1.0	26.10	336	BS, X, EX
		1500	EF160L	380-415 V	AC4M020-ED	\$7,548	90	650	1.0	25.80	372	BS, X, EX
		1000	EF180L	380-415 V	AC6M020-ED	\$11,534	87.5	710	1.0	29.10	512	BS, X, EX
25	18.5	3000	EF160L	380-415 V	AC2M025-ED	\$8,195	91.5	650	1.0	32.00	372	BS, X, EX
		1500	EF180M	380-415 V	AC4M025-ED	\$9,334	91	672	1.0	32.00	473	BS, X, EX
		1000	EF200L	380-415 V	AC6M025-ED	\$15,304	91	810	1.0	35.00	770	BS, X
30	22	3000	EF180M	380-415 V	AC2M030-ED	\$10,311	91.5	672	1.0	36.00	473	BS, X, EX
		1500	EF180L	380-415 V	AC4M030-ED	\$10,769	91	710	1.0	40.00	512	BS, X, EX
		1000	EF200L	380-415 V	AC6M030-ED	\$18,939	91.5	810	1.0	42.00	770	BS, X
40	30	3000	EF200L	380-415 V	AC2M040-ED	\$14,589	92.9	810	1.0	50.00	770	BS, X
		1500	EF200L	380-415 V	AC4M040-ED	\$13,995	93.2	810	1.0	51.00	770	BS, X
		1000	EF225M	380-415 V	AC6M040-ED	\$23,566	92.7	915	1.0	56.00	1002	BS, X
50	37	3000	EF200L	380-415 V	AC2M050-ED	\$17,933	93.3	810	1.0	62.00	770	BS, X
		1500	EF225S	380-415 V	AC4M050-ED	\$17,635	93.6	873	1.0	64.00	832	BS, X
		1000	EF250S	380-415 V	AC6M050-ED	\$28,358	93.2	985	1.0	67.00	1106	BS, X
60	45	3000	EF225M	380-415 V	AC2M060-ED	\$22,645	93.9	885	1.0	74.00	1002	BS, X
		1500	EF225M	380-415 V	AC4M060-ED	\$21,171	94.2	915	1.0	77.00	1002	BS, X
		1000	EF250M	380-415 V	AC6M060-ED	\$33,540	93.4	1030	1.0	81.00	1552	BS, X
75	55	3000	EF250S	380-415 V	AC2M075-ED	\$26,976	94.4	985	1.0	90.00	1106	BS, X
		1500	EF250S	380-415 V	AC4M075-ED	\$25,825	94.6	985	1.0	94.00	1106	BS, X
		1000	EF280S	380-415 V	AC6M075-ED	\$39,100	93.8	1100	1.0	98.00	1690	BS, X
100	75	3000	EF250M	380-415 V	AC2M100-ED	\$31,877	95.2	1030	1.0	122.00	1552	BS, X
		1500	EF250M	380-415 V	AC4M100-ED	\$30,506	94.9	1030	1.0	126.00	1552	BS, X
		1000	EF280M	380-415 V	AC6M100-ED	\$45,364	94.3	1145	1.0	132.00	1990	BS, X

Discount Category **21**

**ATEX/IECex EEXDE IIC Explosion Proof IEC 90S-315M - TEFC  
B5 (D-Flange With B3 Feet) - Cast Iron**



HP	Kw	RPM	Frame	Voltage	P/N	List	FL Eff.	L Dim. (mm)	S.F. 50 Hz	FL Amps	LBS	Notes
125	90	3000	EF280S	380-415 V	AC2M125-ED	\$37,158	95.3	1100	1.0	146.00	1690	BS, X, RF
		1500	EF280S	380-415 V	AC4M125-ED	\$35,541	95.2	1100	1.0	151.00	1690	BS, X, RF
		1000	EF315S	380-415 V	AC6M125-ED	\$63,352	94.5	1215	1.0	158.00	2552	BS, X, RF
150	110	3000	EF280M	380-415 V	AC2M150-ED	\$43,085	95.8	1145	1.0	177.00	1990	BS, X, RF
		1500	EF280M	380-415 V	AC4M150-ED	\$41,185	95.6	1145	1.0	184.00	1990	BS, X, RF
		1000	EF315M	380-415 V	AC6M150-ED	\$70,580	94.8	1245	1.0	190.00	2992	BS, X, RF
200	150	3000	EF315M	380-415 V	AC2M200-ED	\$66,964	96.2	1215	1.0	238.00	2992	BS, X, RF
		1500	EF315M	380-415 V	AC4M200-ED	\$63,945	95.9	1245	1.0	247.00	2992	BS, X, RF

**Discount Category 21**

IEC/Metric  
Aluminum

IEC/Metric  
Cast Iron

ATEX EEXD IIB  
Explosion Proof

ATEX EEXDE IIC  
Explosion Proof

ATEX EEXNA  
Non-Sparking

IEC/Metric  
Brake Motor

IEC/Metric  
Aluminium

IEC/Metric  
Cast Iron

ATEX EEXD IIB  
Explosion Proof

ATEX EEXDE IIC  
Explosion Proof

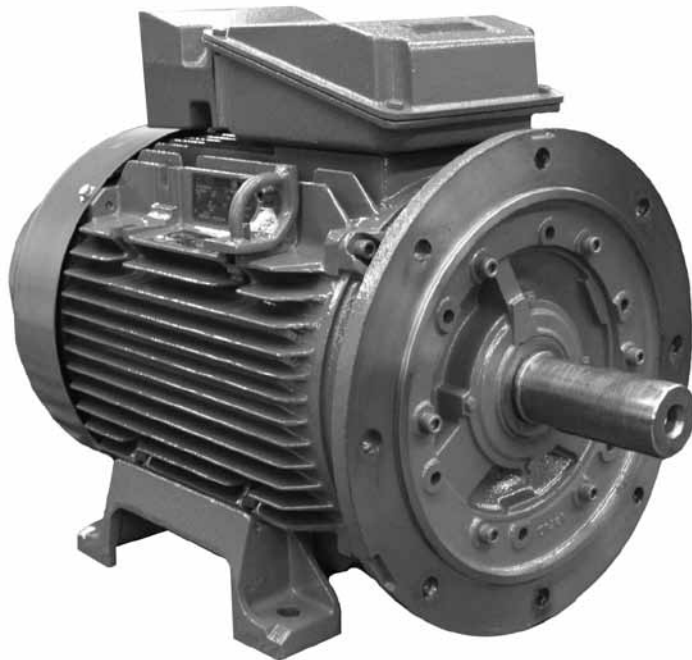
ATEX EEXNA  
Non-Sparking

IEC/Metric  
Brake Motor



ATEX/IECex EExnA Non-Sparking Motors. Features Include:

- Motors comply with CENELEC/ EURONORM standards EN60079 certified by BASEEFA / ATEX / IECex
- Zone 2, Group II T3 non sparking
- TEFC enclosure
- Cast iron construction
- Service factor 1.0 50Hz
- 380-415V/660-720V/3PH/50HZ
- 440-480V/3PH/60HZ
- Class F insulation
- Removable/ repositionable feet for easy conversion to terminal box on top, left, right, or round body configuration
- 3 year warranty



**Notes:**

**BS** - British Standard Dimensions

**X** - Motors Are For Export Only

**EX** - IECEx Rated

**RF** - Removable Feet

**ATEX/IECex EEXNA Zone 2 Non-Sparking IEC 90S-315M - TEFC  
B3 (Foot Mount) - Cast Iron**



HP	Kw	RPM	Frame	Voltage	P/N	List	FL Eff.	L Dim. (mm)	S.F. 50 Hz	FL Amps	LBS	Notes
1	0.75	1500	80M	380-415 V	AN4M001-E	\$668	79.6	278	1.0	1.80	38	BS, X, EX, RF
		1000	90S	380-415 V	AN6M001-E	\$794	75.9	364	1.0	2.10	56	BS, X, EX, RF
1.5	1.1	3000	80M	380-415 V	AN2M1.5-E	\$679	79.6	278	1.0	2.20	38	BS, X, EX, RF
		1500	90S	380-415 V	AN4M1.5-E	\$780	81.4	364	1.0	2.40	56	BS, X, EX, RF
		1000	90L	380-415 V	AN6M1.5-E	\$931	78.1	364	1.0	2.90	67	BS, X, EX, RF
2	1.5	3000	90S	380-415 V	AN2M002-E	\$819	81.3	364	1.0	2.90	56	BS, X, EX, RF
		1500	90L	380-415 V	AN4M002-E	\$913	82.8	364	1.0	3.60	67	BS, X, EX, RF
		1000	100L	380-415 V	AN6M002-E	\$1,212	79.8	409	1.0	3.70	70	BS, X, EX, RF
3	2.2	3000	90L	380-415 V	AN2M003-E	\$938	83.2	364	1.0	4.40	67	BS, X, EX, RF
		1500	100L	380-415 V	AN4M003-E	\$1,121	84.3	409	1.0	4.90	70	BS, X, EX, RF
		1000	112M	380-415 V	AN6M003-E	\$1,495	81.8	442	1.0	5.30	123	BS, X, EX, RF
4	3	3000	100L	380-415 V	AN2M004-E	\$1,192	84.6	409	1.0	5.70	70	BS, X, EX, RF
		1500	100L	380-415 V	AN4M004-E	\$1,249	85.5	409	1.0	6.60	70	BS, X, EX, RF
		1000	132S	380-415 V	AN6M004-E	\$1,922	83.3	484	1.0	6.70	173	BS, X, EX, RF
5.5	4	3000	112M	380-415 V	AN2M5.5-E	\$1,409	85.8	442	1.0	7.00	123	BS, X, EX, RF
		1500	112M	380-415 V	AN4M5.5-E	\$1,495	86.6	442	1.0	8.40	123	BS, X, EX, RF
		1000	132M	380-415 V	AN6M5.5-E	\$2,136	84.6	484	1.0	9.00	170	BS, X, EX, RF
7.5	5.5	3000	132S	380-415 V	AN2M7.5-E	\$1,828	87	484	1.0	9.80	173	BS, X, EX, RF
		1500	132S	380-415 V	AN4M7.5-E	\$2,024	87.7	484	1.0	10.70	173	BS, X, EX, RF
		1000	132M	380-415 V	AN6M7.5-E	\$2,386	86	484	1.0	11.90	170	BS, X, EX, RF
10	7.5	3000	132S	380-415 V	AN2M010-E	\$2,055	88.1	484	1.0	13.00	173	BS, X, EX, RF
		1500	132M	380-415 V	AN4M010-E	\$2,263	88.7	484	1.0	14.20	170	BS, X, EX, RF
		1000	160M	380-415 V	AN6M010-E	\$3,340	87.2	604	1.0	16.00	293	BS, X, EX, RF
15	11	3000	160M	380-415 V	AN2M015-E	\$3,187	89.4	604	1.0	19.30	293	BS, X, EX, RF
		1500	160M	380-415 V	AN4M015-E	\$3,299	89.8	604	1.0	20.20	293	BS, X, EX, RF
		1000	160L	380-415 V	AN6M015-E	\$3,951	88.7	604	1.0	23.10	333	BS, X, EX, RF
20	15	3000	160M	380-415 V	AN2M020-E	\$3,305	90.3	604	1.0	25.60	293	BS, X, EX, RF
		1500	160L	380-415 V	AN4M020-E	\$3,448	90.6	604	1.0	27.00	333	BS, X, EX, RF
		1000	180L	380-415 V	AN6M020-E	\$5,000	89.7	787	1.0	29.40	408	BS, X, EX, RF
25	18.5	3000	160L	380-415 V	AN2M025-E	\$4,091	90.9	604	1.0	30.80	333	BS, X, EX, RF
		1500	180M	380-415 V	AN4M025-E	\$4,132	91.2	663	1.0	32.80	395	BS, X, EX, RF
		1000	200L	380-415 V	AN6M025-E	\$7,811	90.4	787	1.0	35.70	750	BS, X, EX, RF
30	22	3000	180M	380-415 V	AN2M030-E	\$4,789	91.3	663	1.0	35.70	395	BS, X, EX, RF
		1500	180L	380-415 V	AN4M030-E	\$4,817	91.6	663	1.0	39.50	408	BS, X, EX, RF
		1000	200L	380-415 V	AN6M030-E	\$9,668	90.9	787	1.0	41.40	750	BS, X, EX, RF
40	30	3000	200L	380-415 V	AN2M040-E	\$7,609	92	787	1.0	50.10	750	BS, X, EX, RF
		1500	200L	380-415 V	AN4M040-E	\$6,964	92.3	787	1.0	52.00	750	BS, X, EX, RF
		1000	225M	380-415 V	AN6M040-E	\$12,304	91.7	915	1.0	55.90	1050	BS, X, EX, RF
50	37	3000	200L	380-415 V	AN2M050-E	\$7,850	92.5	787	1.0	61.70	750	BS, X, EX, RF
		1500	225S	380-415 V	AN4M050-E	\$7,724	92.7	970	1.0	63.60	914	BS, X, EX, RF
		1000	250S	380-415 V	AN6M050-E	\$14,816	92.2	985	1.0	67.50	1384	BS, X, EX, RF
60	45	3000	225M	380-415 V	AN2M060-E	\$10,237	92.9	885	1.0	74.20	1050	BS, X, EX, RF
		1500	225M	380-415 V	AN4M060-E	\$10,118	93.1	915	1.0	77.10	1050	BS, X, EX, RF
		1000	250M	380-415 V	AN6M060-E	\$18,181	92.7	1021	1.0	81.00	1384	BS, X, EX, RF
75	55	3000	250S	380-415 V	AN2M075-E	\$13,118	93.2	985	1.0	90.60	1384	BS, X, EX, RF
		1500	250S	380-415 V	AN4M075-E	\$12,021	93.5	985	1.0	94.50	1384	BS, X, EX, RF
		1000	280S	380-415 V	AN6M075-E	\$21,188	93.1	1090	1.0	98.30	1512	BS, X, EX, RF
100	75	3000	250M	380-415 V	AN2M100-E	\$16,090	93.8	1030	1.0	122.40	1384	BS, X, EX, RF
		1500	250M	380-415 V	AN4M100-E	\$14,486	94	1021	1.0	126.30	1384	BS, X, EX, RF
		1000	280M	380-415 V	AN6M100-E	\$28,796	93.7	1145	1.0	132.00	1896	BS, X, EX, RF

Discount Category **18**

IEC/Metric  
Aluminum

IEC/Metric  
Cast Iron

ATEX EEXD IIB  
Explosion Proof

ATEX EEXDE IIC  
Explosion Proof

ATEX EEXNA  
Non-Sparking

IEC/Metric  
Brake Motor

IEC/Metric  
Aluminum

IEC/Metric  
Cast Iron

ATEX EEXD IIB  
Explosion Proof

ATEX EEXDE IIC  
Explosion Proof

ATEX EEXNA  
Non-Sparking

IEC/Metric  
Brake Motor

HP	Kw	RPM	Frame	Voltage	P/N	List	FL Eff.	L Dim. (mm)	S.F. 50 Hz	FL Amps	LBS	Notes
125	90	3000	280S	380-415 V	AN2M125-E	\$19,180	94.1	1070	1.0	146.50	1512	BS, X, EX, RF
		1500	280S	380-415 V	AN4M125-E	\$16,821	94.2	1090	1.0	151.30	1512	BS, X, EX, RF
		1000	315S	380-415 V	AN6M125-E	\$33,634	94	1215	1.0	158.10	2354	BS, X, EX, RF
150	110	3000	280M	380-415 V	AN2M150-E	\$27,817	94.3	1115	1.0	177.30	1896	BS, X, EX, RF
		1500	280M	380-415 V	AN4M150-E	\$27,123	94.5	1145	1.0	184.10	1896	BS, X, EX, RF
		1000	315M	380-415 V	AN6M150-E	\$36,054	94.3	1245	1.0	189.90	2533	BS, X, EX, RF
200	150	3000	315M	380-415 V	AN2M200-E	\$35,467	94.7	1215	1.0	238.10	2533	BS, X, EX, RF
		1500	315M	380-415 V	AN4M200-E	\$35,683	94.9	1245	1.0	247.70	2533	BS, X, EX, RF

**Discount Category 18**

**ATEX/IECex EEXNA Zone 2 Non-Sparking IEC 90S-315M - TEFC  
B14 (C-Face With B3 Removable Feet) - Cast Iron**



HP	Kw	RPM	Frame	Voltage	P/N	List	FL Eff.	L Dim. (mm)	S.F. 50 Hz	FL Amps	LBS	Notes
1	0.75	1500	80M	380-415 V	AN4M001-EC	\$1,026	79.6	278	1.0	1.80	45	BS, X, EX, RF
		1000	90S	380-415 V	AN6M001-EC	\$1,152	75.9	364	1.0	2.10	63	BS, X, EX, RF
1.5	1.1	3000	80M	380-415 V	AN2M1.5-EC	\$1,038	79.6	278	1.0	2.20	45	BS, X, EX, RF
		1500	90S	380-415 V	AN4M1.5-EC	\$1,138	81.4	364	1.0	2.40	63	BS, X, EX, RF
		1000	90L	380-415 V	AN6M1.5-EC	\$1,289	78.1	364	1.0	2.90	77	BS, X, EX, RF
2	1.5	3000	90S	380-415 V	AN2M002-EC	\$1,177	81.3	364	1.0	2.90	66	BS, X, EX, RF
		1500	90L	380-415 V	AN4M002-EC	\$1,271	82.8	364	1.0	3.60	78	BS, X, EX, RF
		1000	100L	380-415 V	AN6M002-EC	\$1,600	79.8	409	1.0	3.70	82	BS, X, EX, RF
3	2.2	3000	90L	380-415 V	AN2M003-EC	\$1,296	83.2	364	1.0	4.40	78	BS, X, EX, RF
		1500	100L	380-415 V	AN4M003-EC	\$1,508	84.3	409	1.0	4.90	82	BS, X, EX, RF
		1000	112M	380-415 V	AN6M003-EC	\$1,882	81.8	442	1.0	5.30	135	BS, X, EX, RF
4	3	3000	100L	380-415 V	AN2M004-EC	\$1,579	84.6	409	1.0	5.70	82	BS, X, EX, RF
		1500	100L	380-415 V	AN4M004-EC	\$1,637	85.5	409	1.0	6.60	82	BS, X, EX, RF
		1000	132S	380-415 V	AN6M004-EC	\$2,362	83.3	484	1.0	6.70	192	BS, X, EX, RF
5.5	4	3000	112M	380-415 V	AN2M5.5-EC	\$1,797	85.8	442	1.0	7.00	138	BS, X, EX, RF
		1500	112M	380-415 V	AN4M5.5-EC	\$1,882	86.6	442	1.0	8.40	138	BS, X, EX, RF
		1000	132M	380-415 V	AN6M5.5-EC	\$2,576	84.6	484	1.0	9.00	192	BS, X, EX, RF
7.5	5.5	3000	132S	380-415 V	AN2M7.5-EC	\$2,268	87	484	1.0	9.80	195	BS, X, EX, RF
		1500	132S	380-415 V	AN4M7.5-EC	\$2,464	87.7	484	1.0	10.70	195	BS, X, EX, RF
		1000	132M	380-415 V	AN6M7.5-EC	\$2,826	86	484	1.0	11.90	192	BS, X, EX, RF
10	7.5	3000	132S	380-415 V	AN2M010-EC	\$2,495	88.1	484	1.0	13.00	195	BS, X, EX, RF
		1500	132M	380-415 V	AN4M010-EC	\$2,703	88.7	484	1.0	14.20	192	BS, X, EX, RF
		1000	160M	380-415 V	AN6M010-EC	\$4,159	87.2	604	1.0	16.00	311	BS, X, EX, RF
15	11	3000	160M	380-415 V	AN2M015-EC	\$4,006	89.4	604	1.0	19.30	311	BS, X, EX, RF
		1500	160M	380-415 V	AN4M015-EC	\$4,118	89.8	604	1.0	20.20	311	BS, X, EX, RF
		1000	160L	380-415 V	AN6M015-EC	\$4,770	88.7	604	1.0	23.10	351	BS, X, EX, RF
20	15	3000	160M	380-415 V	AN2M020-EC	\$4,124	90.3	604	1.0	25.60	311	BS, X, EX, RF
		1500	160L	380-415 V	AN4M020-EC	\$4,267	90.6	604	1.0	27.00	351	BS, X, EX, RF
25	18.5	3000	160L	380-415 V	AN2M025-EC	\$4,910	90.9	604	1.0	30.80	351	BS, X, EX, RF

**Discount Category 18**

IEC/Metric  
Aluminum

IEC/Metric  
Cast Iron

ATEX EEXD IIB  
Explosion Proof

ATEX EEXDE IIC  
Explosion Proof

ATEX EEXNA  
Non-Sparking

IEC/Metric  
Brake Motor



**ATEX/IECex EEXNA Zone 2 Non-Sparking IEC 90S-315M - TEFC  
B5 (D-Flange With B3 Removable Feet) - Cast Iron**

IEC/Metric  
Aluminum

IEC/Metric  
Cast Iron

ATEX EEXD IIB  
Explosion Proof

ATEX EEXDE IIC  
Explosion Proof

ATEX EEXNA  
Non-Sparking

IEC/Metric  
Brake Motor

HP	Kw	RPM	Frame	Voltage	P/N	List	FL Eff.	L Dim. (mm)	S.F. 50 Hz	FL Amps	LBS	Notes
1	0.75	1500	80M	380-415 V	AN4M001-ED	\$1,026	79.6	278	1.0	1.80	45	BS, X, EX, RF
		1000	90S	380-415 V	AN6M001-ED	\$1,152	75.9	364	1.0	2.10	63	BS, X, EX, RF
1.5	1.1	3000	80M	380-415 V	AN2M1.5-ED	\$1,038	79.6	278	1.0	2.20	45	BS, X, EX, RF
		1500	90S	380-415 V	AN4M1.5-ED	\$1,138	81.4	364	1.0	2.40	63	BS, X, EX, RF
		1000	90L	380-415 V	AN6M1.5-ED	\$1,289	78.1	364	1.0	2.90	77	BS, X, EX, RF
2	1.5	3000	90S	380-415 V	AN2M002-ED	\$1,177	81.3	364	1.0	2.90	66	BS, X, EX, RF
		1500	90L	380-415 V	AN4M002-ED	\$1,271	82.8	364	1.0	3.60	78	BS, X, EX, RF
		1000	100L	380-415 V	AN6M002-ED	\$1,600	79.8	409	1.0	3.70	82	BS, X, EX, RF
3	2.2	3000	90L	380-415 V	AN2M003-ED	\$1,296	83.2	364	1.0	4.40	78	BS, X, EX, RF
		1500	100L	380-415 V	AN4M003-ED	\$1,508	84.3	409	1.0	4.90	82	BS, X, EX, RF
		1000	112M	380-415 V	AN6M003-ED	\$1,882	81.8	442	1.0	5.30	135	BS, X, EX, RF
4	3	3000	100L	380-415 V	AN2M004-ED	\$1,579	84.6	409	1.0	5.70	82	BS, X, EX, RF
		1500	100L	380-415 V	AN4M004-ED	\$1,637	85.5	409	1.0	6.60	82	BS, X, EX, RF
		1000	132S	380-415 V	AN6M004-ED	\$2,362	83.3	484	1.0	6.70	192	BS, X, EX, RF
5.5	4	3000	112M	380-415 V	AN2M5.5-ED	\$1,797	85.8	442	1.0	7.00	138	BS, X, EX, RF
		1500	112M	380-415 V	AN4M5.5-ED	\$1,882	86.6	442	1.0	8.40	138	BS, X, EX, RF
		1000	132M	380-415 V	AN6M5.5-ED	\$2,576	84.6	484	1.0	9.00	192	BS, X, EX, RF
7.5	5.5	3000	132S	380-415 V	AN2M7.5-ED	\$2,268	87	484	1.0	9.80	195	BS, X, EX, RF
		1500	132S	380-415 V	AN4M7.5-ED	\$2,464	87.7	484	1.0	10.70	195	BS, X, EX, RF
		1000	132M	380-415 V	AN6M7.5-ED	\$2,826	86	484	1.0	11.90	192	BS, X, EX, RF
10	7.5	3000	132S	380-415 V	AN2M010-ED	\$2,495	88.1	484	1.0	13.00	195	BS, X, EX, RF
		1500	132M	380-415 V	AN4M010-ED	\$2,703	88.7	484	1.0	14.20	192	BS, X, EX, RF
		1000	160M	380-415 V	AN6M010-ED	\$4,159	87.2	604	1.0	16.00	311	BS, X, EX, RF
15	11	3000	160M	380-415 V	AN2M015-ED	\$4,006	89.4	604	1.0	19.30	311	BS, X, EX, RF
		1500	160M	380-415 V	AN4M015-ED	\$4,118	89.8	604	1.0	20.20	311	BS, X, EX, RF
		1000	160L	380-415 V	AN6M015-ED	\$4,770	88.7	604	1.0	23.10	351	BS, X, EX, RF
20	15	3000	160M	380-415 V	AN2M020-ED	\$4,124	90.3	604	1.0	25.60	311	BS, X, EX, RF
		1500	160L	380-415 V	AN4M020-ED	\$4,267	90.6	604	1.0	27.00	351	BS, X, EX, RF
		1000	180L	380-415 V	AN6M020-ED	\$5,968	89.7	787	1.0	29.40	426	BS, X, EX, RF
25	18.5	3000	160L	380-415 V	AN2M025-ED	\$4,910	90.9	604	1.0	30.80	351	BS, X, EX, RF
		1500	180M	380-415 V	AN4M025-ED	\$5,100	91.2	663	1.0	32.80	416	BS, X, EX, RF
		1000	200L	380-415 V	AN6M025-ED	\$9,399	90.4	787	1.0	35.70	768	BS, X, EX, RF
30	22	3000	180M	380-415 V	AN2M030-ED	\$5,757	91.3	663	1.0	35.70	416	BS, X, EX, RF
		1500	180L	380-415 V	AN4M030-ED	\$5,785	91.6	663	1.0	39.50	437	BS, X, EX, RF
		1000	200L	380-415 V	AN6M030-ED	\$11,356	90.9	787	1.0	41.40	768	BS, X, EX, RF
40	30	3000	200L	380-415 V	AN2M040-ED	\$9,297	92	787	1.0	50.10	768	BS, X, EX, RF
		1500	200L	380-415 V	AN4M040-ED	\$8,652	92.3	787	1.0	52.00	768	BS, X, EX, RF
		1000	225M	380-415 V	AN6M040-ED	\$14,490	91.7	915	1.0	55.90	1072	BS, X, EX, RF
50	37	3000	200L	380-415 V	AN2M050-ED	\$9,538	92.5	787	1.0	61.70	768	BS, X, EX, RF
		1500	225S	380-415 V	AN4M050-ED	\$9,911	92.7	970	1.0	63.60	938	BS, X, EX, RF
		1000	250S	380-415 V	AN6M050-ED	\$17,052	92.2	985	1.0	67.50	1402	BS, X, EX, RF
60	45	3000	225M	380-415 V	AN2M060-ED	\$12,423	92.9	885	1.0	74.20	1072	BS, X, EX, RF
		1500	225M	380-415 V	AN4M060-ED	\$12,304	93.1	915	1.0	77.10	1072	BS, X, EX, RF
		1000	250M	380-415 V	AN6M060-ED	\$20,417	92.7	1021	1.0	81.00	1402	BS, X, EX, RF
75	55	3000	250S	380-415 V	AN2M075-ED	\$15,353	93.2	985	1.0	90.60	1402	BS, X, EX, RF
		1500	250S	380-415 V	AN4M075-ED	\$14,257	93.5	985	1.0	94.50	1402	BS, X, EX, RF
		1000	280S	380-415 V	AN6M075-ED	\$23,724	93.1	1090	1.0	98.30	1532	BS, X, EX, RF
100	75	3000	250M	380-415 V	AN2M100-ED	\$18,325	93.8	1030	1.0	122.40	1402	BS, X, EX, RF
		1500	250M	380-415 V	AN4M100-ED	\$16,722	94	1021	1.0	126.30	1402	BS, X, EX, RF
		1000	280M	380-415 V	AN6M100-ED	\$31,337	93.7	1145	1.0	132.00	1914	BS, X, EX, RF

Discount Category **18**

**ATEX/IECex EEXNA Zone 2 Non-Sparking IEC 90S-315M - TEFC  
B5 (D-Flange With B3 Removable Feet) - Cast Iron**



HP	Kw	RPM	Frame	Voltage	P/N	List	FL Eff.	L Dim. (mm)	S.F. 50 Hz	FL Amps	LBS	Notes
125	90	3000	280S	380-415 V	AN2M125-ED	\$21,721	94.1	1070	1.0	146.50	1532	BS, X, EX, RF
		1500	280S	380-415 V	AN4M125-ED	\$19,362	94.2	1090	1.0	151.30	1532	BS, X, EX, RF
		1000	315S	380-415 V	AN6M125-ED	\$36,498	94	1215	1.0	158.10	2380	BS, X, EX, RF
150	110	3000	280M	380-415 V	AN2M150-ED	\$30,358	94.3	1115	1.0	177.30	1914	BS, X, EX, RF
		1500	280M	380-415 V	AN4M150-ED	\$29,664	94.5	1145	1.0	184.10	1914	BS, X, EX, RF
		1000	315M	380-415 V	AN6M150-ED	\$38,918	94.3	1245	1.0	189.90	2560	BS, X, EX, RF
200	150	3000	315M	380-415 V	AN2M200-ED	\$38,331	94.7	1215	1.0	238.10	2560	BS, X, EX, RF
		1500	315M	380-415 V	AN4M200-ED	\$38,547	94.9	1245	1.0	247.70	2560	BS, X, EX, RF

**Discount Category 18**

IEC/Metric  
Aluminum

IEC/Metric  
Cast Iron

ATEX EEXD IIB  
Explosion Proof

ATEX EEXDE IIC  
Explosion Proof

ATEX EEXNA  
Non-Sparking

IEC/Metric  
Brake Motor



IEC/Metric  
Aluminum

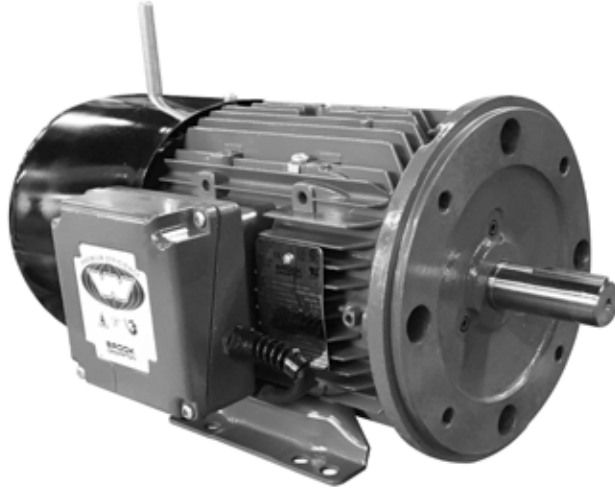
IEC/Metric  
Cast Iron

ATEX EEXD IIB  
Explosion Proof

ATEX EEXDE IIC  
Explosion Proof

ATEX EEXNA  
Non-Sparking

IEC/Metric  
Brake Motor



Three Phase Brake Motors With Lightweight High Performance Cast Aluminum Frames. Features Include:

- 1.25 service factor at 60Hz, 1.0 service factor at 50Hz
- Class F insulation with class B temperature rise
- Removable/ repositionable feet for easy conversion to F1, F2, F3 (F0), or round body configuration
- Motor: IP55 degree of protection for washdown duty enclosure
- Full contact shaft seals inside both brackets for increased protection against contaminants
- Brake: IP23 degree of protection
- Dual rated 60/50Hz at same HP
- Cast aluminum conduit box with drilled and tapped entry is rotatable in 90 degree increments
- CSA approved for Class I; Division 2; Groups A, B, C & D, Zone 2; Groups IIA & IIB T3 on sine wave power
- Internal tropicproof

**Notes:**

**RF** - Removable Feet

**EU** - Euronorm Dimensions

# W Series Brake Motors IEC 71-180L - TEFC B3 (Foot Mount) - Cast Aluminum



HP	Kw	RPM	Frame	Voltage	P/N	List	Brake Ft. Lbs	FL Eff.	L Dim. (mm)	S.F. 60 Hz	FL Amps	LBS	Notes
0.50	0.37	1800	71	230/460 V	BA4M.50-4BRK	\$1,252	1.8	73	295	1.25	1.00	21	RF, EU
		1800	71	575 V	BA4M.50-5BRK	\$1,252	1.8	73	295	1.25	0.80	21	RF, EU
		1200	80	230/460 V	BA6M.50-4BRK	\$1,643	6	65	335	1.25	1.10	27	RF, EU
		1200	80	575 V	BA6M.50-5BRK	\$1,643	6	65	335	1.25	0.90	27	RF, EU
0.75	0.55	3600	71	230/460 V	BA2M.75-4BRK	\$1,248	1.8	74	295	1.25	1.20	23	RF, EU
		3600	71	575 V	BA2M.75-5BRK	\$1,248	1.8	74	295	1.25	1.00	23	RF, EU
		1800	80	230/460 V	BA4M.75-4BRK	\$1,640	6	77	335	1.25	1.40	29	RF, EU
		1800	80	575 V	BA4M.75-5BRK	\$1,640	6	77	335	1.25	1.10	29	RF, EU
		1200	80	230/460 V	BA6M.75-4BRK	\$1,672	6	71	335	1.25	1.50	33	RF, EU
		1200	80	575 V	BA6M.75-5BRK	\$1,672	6	71	335	1.25	1.20	33	RF, EU
1	0.75	3600	80	230/460 V	BA2M001-4BRK	\$1,697	6	78	335	1.25	1.60	33	RF, EU
		3600	80	575 V	BA2M001-5BRK	\$1,697	6	78	335	1.25	1.30	33	RF, EU
		1800	80	230/460 V	BA4M001-4BRK	\$1,701	6	77	335	1.25	1.80	33	RF, EU
		1800	80	575 V	BA4M001-5BRK	\$1,701	6	77	335	1.25	1.40	33	RF, EU
1.5	1.1	3600	80	230/460 V	BA2M1.5-4BRK	\$1,753	6	79	335	1.25	2.30	33	RF, EU
		3600	80	575 V	BA2M1.5-5BRK	\$1,753	6	79	335	1.25	1.80	33	RF, EU
		1800	90S/L	230/460 V	BA4M1.5-4BRK	\$2,099	11	86.5	454	1.25	2.10	49	RF, EU
		1800	90S/L	575 V	BA4M1.5-5BRK	\$2,099	11	86.5	454	1.25	1.60	49	RF, EU
2	1.5	3600	90S/L	230/460 V	BA2M002-4BRK	\$2,118	11	85.5	454	1.25	2.60	49	RF, EU
		3600	90S/L	575 V	BA2M002-5BRK	\$2,118	11	85.5	454	1.25	2.00	49	RF, EU
		1800	90S/L	230/460 V	BA4M002-4BRK	\$2,174	11	86.5	454	1.25	2.90	53	RF, EU
		1800	90S/L	575 V	BA4M002-5BRK	\$2,174	11	86.5	454	1.25	2.30	53	RF, EU
3	2.2	3600	90S/L	230/460 V	BA2M003-4BRK	\$2,192	11	86.5	454	1.25	3.50	49	RF, EU
		3600	90S/L	575 V	BA2M003-5BRK	\$2,192	11	86.5	454	1.25	2.80	49	RF, EU
		1800	100L	230/460 V	BA4M003-4BRK	\$2,448	27.7	89.5	499	1.25	3.90	97	RF, EU
		1800	100L	575 V	BA4M003-5BRK	\$2,448	27.7	89.5	499	1.25	3.10	97	RF, EU
4	3	3600	100L	230/460 V	BA2M004-4BRK	\$2,511	27.7	88.5	499	1.25	4.90	97	RF, EU
		3600	100L	575 V	BA2M004-5BRK	\$2,511	27.7	88.5	499	1.25	3.90	97	RF, EU
		1800	100L	230/460 V	BA4M004-4BRK	\$2,520	27.7	89.5	499	1.25	5.50	97	RF, EU
		1800	100L	575 V	BA4M004-5BRK	\$2,520	27.7	89.5	499	1.25	4.40	97	RF, EU
5.5	4	3600	112M	230/460 V	BA2M5.5-4BRK	\$2,840	27.7	88.5	532	1.25	5.90	112	RF, EU
		3600	112M	575 V	BA2M5.5-5BRK	\$2,840	27.7	88.5	532	1.25	4.70	112	RF, EU
		1800	112M	230/460 V	BA4M5.5-4BRK	\$2,832	27.7	89.5	532	1.25	6.20	112	RF, EU
		1800	112M	575 V	BA4M5.5-5BRK	\$2,832	27.7	89.5	532	1.25	5.00	112	RF, EU
7.5	5.5	3600	132S/M	230/460 V	BA2M7.5-4BRK	\$3,448	59.9	89.5	600	1.25	8.40	145	RF, EU
		3600	132S/M	575 V	BA2M7.5-5BRK	\$3,448	59.9	89.5	600	1.25	6.70	145	RF, EU
		1800	132S/M	230/460 V	BA4M7.5-4BRK	\$3,548	59.9	91.7	600	1.25	9.80	145	RF, EU
		1800	132S/M	575 V	BA4M7.5-5BRK	\$3,548	59.9	91.7	600	1.25	7.80	145	RF, EU
10	7.5	3600	132S/M	230/460 V	BA2M010-4BRK	\$3,566	59.9	90.2	600	1.25	11.60	145	RF, EU
		3600	132S/M	575 V	BA2M010-5BRK	\$3,566	59.9	90.2	600	1.25	9.20	145	RF, EU
		1800	132S/M	230/460 V	BA4M010-4BRK	\$3,894	59.9	91.7	600	1.25	13.20	165	RF, EU
		1800	132S/M	575 V	BA4M010-5BRK	\$3,894	59.9	91.7	600	1.25	10.50	165	RF, EU

Discount Category **15**

230/460V motors supplied with 230V coil. 460V coil is available with “-9BRK” suffix.

IEC/Metric  
Aluminum

IEC/Metric  
Cast Iron

ATEX EXXD IIB  
Explosion Proof

ATEX EXXDE IIC  
Explosion Proof

ATEX EXXNA  
Non-Sparking

IEC/Metric  
Brake Motor

**W Series Brake Motors IEC 71-180L - TEFC  
B14 (C-Face With B3 Removable Feet) - Cast Aluminum**

	HP	Kw	RPM	Frame	Voltage	P/N	List	Brake Ft. Lbs	FL Eff.	L Dim. (mm)	S.F. 60 Hz	FL Amps	LBS	Notes
IEC/Metric Aluminum	0.50	0.37	1800	71	230/460 V	BA4M.50-4CBRK	\$1,292	1.8	73	295	1.25	1.00	25	RF, EU
			1800	71	575 V	BA4M.50-5CBRK	\$1,292	1.8	73	295	1.25	0.80	25	RF, EU
			1200	80	230/460 V	BA6M.50-4CBRK	\$1,688	6	65	335	1.25	1.10	31	RF, EU
			1200	80	575 V	BA6M.50-5CBRK	\$1,688	6	65	335	1.25	0.90	31	RF, EU
IEC/Metric Cast Iron	0.75	0.55	3600	71	230/460 V	BA2M.75-4CBRK	\$1,293	1.8	74	295	1.25	1.20	25	RF, EU
			3600	71	575 V	BA2M.75-5CBRK	\$1,293	1.8	74	295	1.25	1.00	25	RF, EU
			1800	80	230/460 V	BA4M.75-4CBRK	\$1,685	6	77	335	1.25	1.40	33	RF, EU
			1800	80	575 V	BA4M.75-5CBRK	\$1,685	6	77	335	1.25	1.10	33	RF, EU
			1200	80	230/460 V	BA6M.75-4CBRK	\$1,717	6	71	335	1.25	1.50	33	RF, EU
			1200	80	575 V	BA6M.75-5CBRK	\$1,717	6	71	335	1.25	1.20	33	RF, EU
ATEX EEXD IIB Explosion Proof	1	0.75	3600	80	230/460 V	BA2M001-4CBRK	\$1,742	6	78	335	1.25	1.60	37	RF, EU
			3600	80	575 V	BA2M001-5CBRK	\$1,742	6	78	335	1.25	1.30	37	RF, EU
			1800	80	230/460 V	BA4M001-4CBRK	\$1,746	6	77	335	1.25	1.80	37	RF, EU
			1800	80	575 V	BA4M001-5CBRK	\$1,746	6	77	335	1.25	1.40	37	RF, EU
ATEX EEXDE IIC Explosion Proof	1.5	1.1	3600	80	230/460 V	BA2M1.5-4CBRK	\$1,803	6	79	335	1.25	2.30	37	RF, EU
			3600	80	575 V	BA2M1.5-5CBRK	\$1,803	6	79	335	1.25	1.80	37	RF, EU
			1800	90S/L	230/460 V	BA4M1.5-4CBRK	\$2,149	11	86.5	454	1.25	2.10	53	RF, EU
			1800	90S/L	575 V	BA4M1.5-5CBRK	\$2,149	11	86.5	454	1.25	1.60	53	RF, EU
ATEX EEXNA Non-Sparking	2	1.5	3600	90S/L	230/460 V	BA2M002-4CBRK	\$2,168	11	85.5	454	1.25	2.60	53	RF, EU
			3600	90S/L	575 V	BA2M002-5CBRK	\$2,168	11	85.5	454	1.25	2.00	53	RF, EU
			1800	90S/L	230/460 V	BA4M002-4CBRK	\$2,224	11	86.5	454	1.25	2.90	57	RF, EU
			1800	90S/L	575 V	BA4M002-5CBRK	\$2,224	11	86.5	454	1.25	2.30	57	RF, EU
ATEX EEXNA Non-Sparking	3	2.2	3600	90S/L	230/460 V	BA2M003-4CBRK	\$2,242	11	86.5	454	1.25	3.50	53	RF, EU
			3600	90S/L	575 V	BA2M003-5CBRK	\$2,242	11	86.5	454	1.25	2.80	53	RF, EU
			1800	100L	230/460 V	BA4M003-4CBRK	\$2,518	27.7	89.5	499	1.25	3.90	104	RF, EU
			1800	100L	575 V	BA4M003-5CBRK	\$2,518	27.7	89.5	499	1.25	3.10	104	RF, EU
IEC/Metric Brake Motor	4	3	3600	100L	230/460 V	BA2M004-4CBRK	\$2,581	27.7	88.5	499	1.25	4.90	72	RF, EU
			3600	100L	575 V	BA2M004-5CBRK	\$2,581	27.7	88.5	499	1.25	3.90	72	RF, EU
			1800	100L	230/460 V	BA4M004-4CBRK	\$2,590	27.7	89.5	499	1.25	5.50	72	RF, EU
			1800	100L	575 V	BA4M004-5CBRK	\$2,590	27.7	89.5	499	1.25	4.40	72	RF, EU
IEC/Metric Brake Motor	5.5	4	3600	112M	230/460 V	BA2M5.5-4CBRK	\$2,920	27.7	88.5	532	1.25	5.90	88	RF, EU
			3600	112M	575 V	BA2M5.5-5CBRK	\$2,920	27.7	88.5	532	1.25	4.70	88	RF, EU
			1800	112M	230/460 V	BA4M5.5-4CBRK	\$2,912	27.7	89.5	532	1.25	6.20	88	RF, EU
			1800	112M	575 V	BA4M5.5-5CBRK	\$2,912	27.7	89.5	532	1.25	5.00	88	RF, EU
IEC/Metric Brake Motor	7.5	5.5	3600	132S/M	230/460 V	BA2M7.5-4CBRK	\$3,573	59.9	89.5	600	1.25	8.40	125	RF, EU
			3600	132S/M	575 V	BA2M7.5-5CBRK	\$3,573	59.9	89.5	600	1.25	6.70	125	RF, EU
			1800	132S/M	230/460 V	BA4M7.5-4CBRK	\$3,673	59.9	91.7	600	1.25	9.80	125	RF, EU
			1800	132S/M	575 V	BA4M7.5-5CBRK	\$3,673	59.9	91.7	600	1.25	7.80	125	RF, EU
IEC/Metric Brake Motor	10	7.5	3600	132S/M	230/460 V	BA2M010-4CBRK	\$3,691	59.9	90.2	600	1.25	11.60	125	RF, EU
			3600	132S/M	575 V	BA2M010-5CBRK	\$3,691	59.9	90.2	600	1.25	9.20	125	RF, EU
			1800	132S/M	230/460 V	BA4M010-4CBRK	\$4,019	59.9	91.7	600	1.25	13.20	138	RF, EU
			1800	132S/M	575 V	BA4M010-5CBRK	\$4,019	59.9	91.7	600	1.25	10.50	138	RF, EU

Discount Category **15**

230/460V motors supplied with 230V coil. 460V coil is available with "-9BRK" suffix.

# W Series Brake Motors IEC 71-180L - TEFC B5 (D-Flange With B3 Removable Feet) - Cast Aluminum



HP	Kw	RPM	Frame	Voltage	P/N	List	Brake Ft. Lbs	FL Eff.	L Dim. (mm)	S.F. 60 Hz	FL Amps	LBS	Notes
0.50	0.37	1800	71	230/460 V	BA4M.50-4DBRK	\$1,292	1.8	73	295	1.25	1.00	25	RF, EU
		1800	71	575 V	BA4M.50-5DBRK	\$1,292	1.8	73	295	1.25	0.80	25	RF, EU
		1200	80	230/460 V	BA6M.50-4DBRK	\$1,688	6	65	335	1.25	1.10	31	RF, EU
		1200	80	575 V	BA6M.50-5DBRK	\$1,688	6	65	335	1.25	0.90	31	RF, EU
0.75	0.55	3600	71	230/460 V	BA2M.75-4DBRK	\$1,293	1.8	74	295	1.25	1.20	25	RF, EU
		3600	71	575 V	BA2M.75-5DBRK	\$1,293	1.8	74	295	1.25	1.00	25	RF, EU
		1800	80	230/460 V	BA4M.75-4DBRK	\$1,685	6	77	335	1.25	1.40	33	RF, EU
		1800	80	575 V	BA4M.75-5DBRK	\$1,685	6	77	335	1.25	1.10	33	RF, EU
		1200	80	230/460 V	BA6M.75-4DBRK	\$1,717	6	71	335	1.25	1.50	33	RF, EU
		1200	80	575 V	BA6M.75-5DBRK	\$1,717	6	71	335	1.25	1.20	33	RF, EU
1	0.75	3600	80	230/460 V	BA2M001-4DBRK	\$1,742	6	78	335	1.25	1.60	37	RF, EU
		3600	80	575 V	BA2M001-5DBRK	\$1,742	6	78	335	1.25	1.30	37	RF, EU
		1800	80	230/460 V	BA4M001-4DBRK	\$1,746	6	77	335	1.25	1.80	37	RF, EU
		1800	80	575 V	BA4M001-5DBRK	\$1,746	6	77	335	1.25	1.40	37	RF, EU
1.5	1.1	3600	80	230/460 V	BA2M1.5-4DBRK	\$1,803	6	79	335	1.25	2.30	37	RF, EU
		3600	80	575 V	BA2M1.5-5DBRK	\$1,803	6	79	335	1.25	1.80	37	RF, EU
		1800	90S/L	230/460 V	BA4M1.5-4DBRK	\$2,149	11	86.5	454	1.25	2.10	53	RF, EU
		1800	90S/L	575 V	BA4M1.5-5DBRK	\$2,149	11	86.5	454	1.25	1.60	53	RF, EU
2	1.5	3600	90S/L	230/460 V	BA2M002-4DBRK	\$2,168	11	85.5	454	1.25	2.60	53	RF, EU
		3600	90S/L	575 V	BA2M002-5DBRK	\$2,168	11	85.5	454	1.25	2.00	53	RF, EU
		1800	90S/L	230/460 V	BA4M002-4DBRK	\$2,224	11	86.5	454	1.25	2.90	57	RF, EU
		1800	90S/L	575 V	BA4M002-5DBRK	\$2,224	11	86.5	454	1.25	2.30	57	RF, EU
3	2.2	3600	90S/L	230/460 V	BA2M003-4DBRK	\$2,242	11	86.5	454	1.25	3.50	53	RF, EU
		3600	90S/L	575 V	BA2M003-5DBRK	\$2,242	11	86.5	454	1.25	2.80	53	RF, EU
		1800	100L	230/460 V	BA4M003-4DBRK	\$2,518	27.7	89.5	499	1.25	3.90	104	RF, EU
		1800	100L	575 V	BA4M003-5DBRK	\$2,518	27.7	89.5	499	1.25	3.10	104	RF, EU
4	3	3600	100L	230/460 V	BA2M004-4DBRK	\$2,581	27.7	88.5	499	1.25	4.90	72	RF, EU
		3600	100L	575 V	BA2M004-5DBRK	\$2,581	27.7	88.5	499	1.25	3.90	72	RF, EU
		1800	100L	230/460 V	BA4M004-4DBRK	\$2,590	27.7	89.5	499	1.25	5.50	72	RF, EU
		1800	100L	575 V	BA4M004-5DBRK	\$2,590	27.7	89.5	499	1.25	4.40	72	RF, EU
5.5	4	3600	112M	230/460 V	BA2M5.5-4DBRK	\$2,920	27.7	88.5	532	1.25	5.90	88	RF, EU
		3600	112M	575 V	BA2M5.5-5DBRK	\$2,920	27.7	88.5	532	1.25	4.70	88	RF, EU
		1800	112M	230/460 V	BA4M5.5-4DBRK	\$2,912	27.7	89.5	532	1.25	6.20	88	RF, EU
		1800	112M	575 V	BA4M5.5-5DBRK	\$2,912	27.7	89.5	532	1.25	5.00	88	RF, EU
7.5	5.5	3600	132S/M	230/460 V	BA2M7.5-4DBRK	\$3,573	59.9	89.5	600	1.25	8.40	125	RF, EU
		3600	132S/M	575 V	BA2M7.5-5DBRK	\$3,573	59.9	89.5	600	1.25	6.70	125	RF, EU
		1800	132S/M	230/460 V	BA4M7.5-4DBRK	\$3,673	59.9	91.7	600	1.25	9.80	125	RF, EU
		1800	132S/M	575 V	BA4M7.5-5DBRK	\$3,673	59.9	91.7	600	1.25	7.80	125	RF, EU
10	7.5	3600	132S/M	230/460 V	BA2M010-4DBRK	\$3,691	59.9	90.2	600	1.25	11.60	125	RF, EU
		3600	132S/M	575 V	BA2M010-5DBRK	\$3,691	59.9	90.2	600	1.25	9.20	125	RF, EU
		1800	132S/M	230/460 V	BA4M010-4DBRK	\$4,019	59.9	91.7	600	1.25	13.20	138	RF, EU
		1800	132S/M	575 V	BA4M010-5DBRK	\$4,019	59.9	91.7	600	1.25	10.50	138	RF, EU

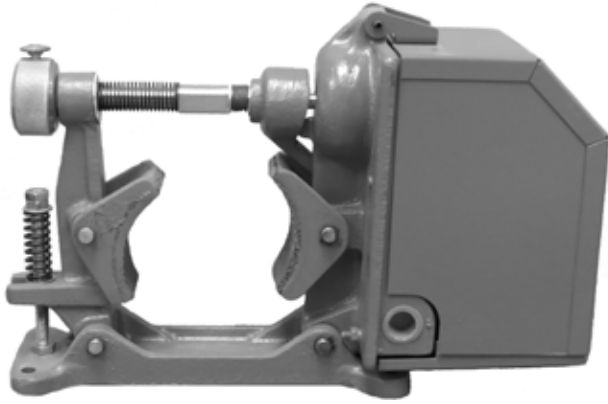
IEC/Metric Aluminum  
IEC/Metric Cast Iron  
ATEX EXXD IIB Explosion Proof  
ATEX EXXDE IIC Explosion Proof  
ATEX EXXNA Non-Sparking  
IEC/Metric Brake Motor

Discount Category **15**

230/460V motors supplied with 230V coil. 460V coil is available with "-9BRK" suffix.

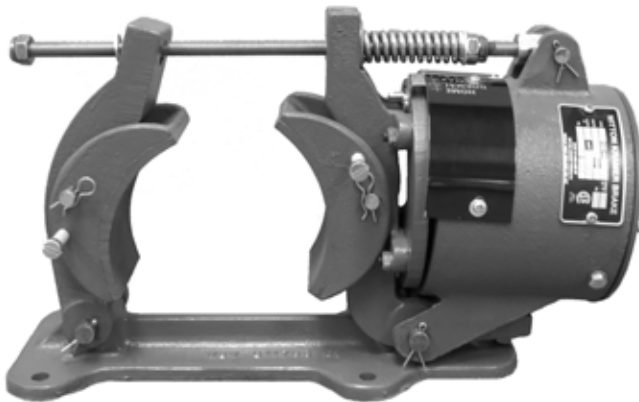
Witton Kramer  
Brake

Dings Coupler  
Brake



The Perigrip Brake Is A Well Proven Design With a Laminated Steel Magnet System. The Design Incorporates The Following Features:

- High quality cast iron construction
- Brakes fitted with manual release lever as standard
- Self-adjusting spring-loaded shoe
- A welded steel hinged cover protects the complete magnet assembly against dust and damage
- Class B insulation
- CSA approved



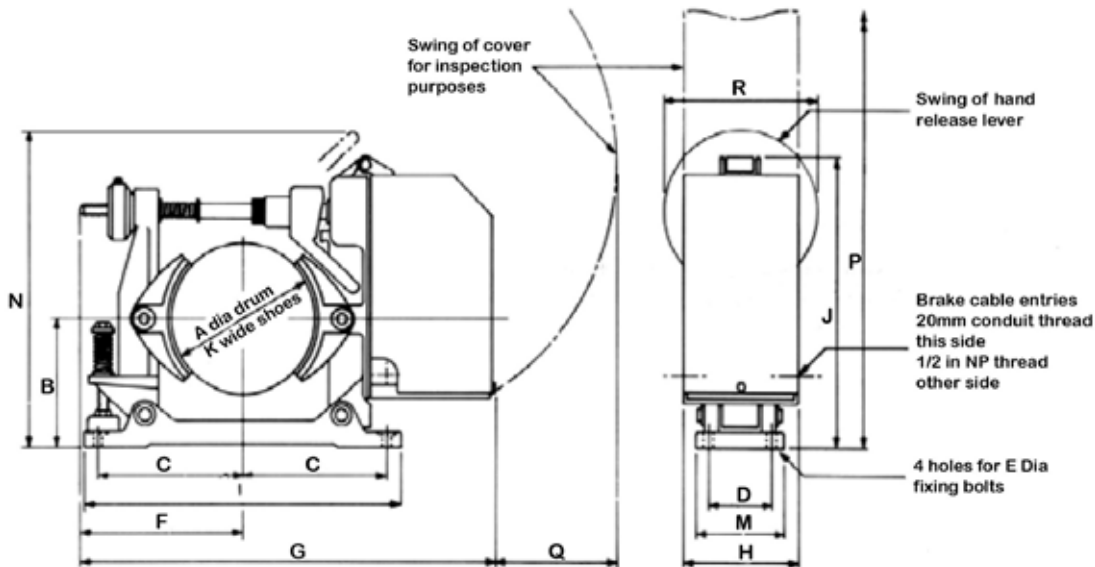
The PM Brake's Long Established and Well Proven Cast Iron Design Has Stainless Steel Pivot Pins And Is Suitable For a Wide Range of Industrial Applications. The Design Incorporates The Following Features:

- Main components are of cast steel, and high quality cast iron
- Spring and all machined steel parts are plated
- Brake fitted with manual release lever as standard
- 8 hour rated in any period of 24 hours
- Friction device prevents brake shoes from dragging on the drum when the brake is off
- Weatherproof construction, with encapsulated magnet coil
- CSA approved

Witton Kramer Brake  
Dings Coupler Brake

Size	Voltage	P/N	List	Brake Ft. Lbs	G Dim. (IN.)	LBS
4"	230/460 V	404745	\$2,986	18	14.625	35
	575 V	404713	\$2,986	18	14.625	35
6"	230/460 V	406744	\$4,298	60	19.25	70
	575 V	406713	\$4,298	60	19.25	70
8"	230/460 V	408751	\$5,169	120	22.875	100
	575 V	408713	\$5,169	120	22.875	100
10"	230/460 V	410746	\$6,843	250	28.5	185
	575 V	410703	\$6,843	250	28.5	185
12"	230/460 V	412749	\$9,281	400	32.0	265
	575 V	412709	\$9,281	400	32.0	265

**Discount Category 40**



A (dia) Inch	Ret torque lbf ft	B	C	D	E	F	G	H	J	K	L
4	18	4.0	4.5	2.5	0.312	5.25	14.625	4.875	9.375	1.9	10
6	60	5.5	6.125	3.0	0.375	6.5	19.25	6.0	12.625	2.5	13.5
8	120	6.75	8.0	3.5	0.5	8.625	22.875	6.375	15.375	3.25	17.5
10	250	8.5	9.5	4.5	0.5	10.25	28.5	6.5	18.5	4.0	20.5
12	400	10.25	11	5.0	0.625	12.25	32.0	7.0	22.0	2.75	24

A (dia) Inch	M	N	P	Q	R	T	Gross Mass lb	Consumption VA	Inrush VA
4	3.5	9.625	18.875	5.0	4.75	10	35	170	Approx 10 times
6	4.25	13	24.875	5.25	6.0	13.5	70	270	
8	5.0	16.75	28.125	7.25	8.5	17.5	100	300	
10	6.0	19.5	37.0	9.0	8.5	20.5	185	380	
12	7.0	23.25	43.0	10.5	10	24	265	770	

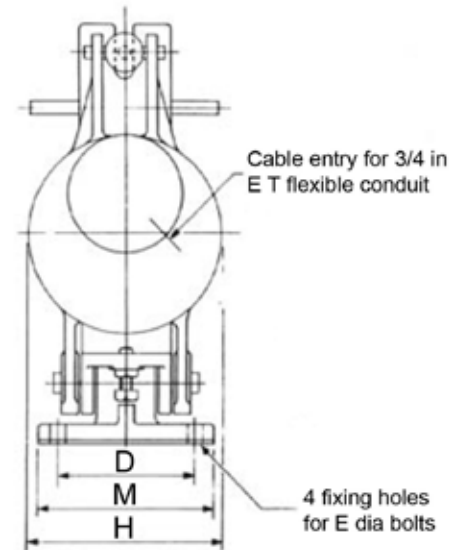
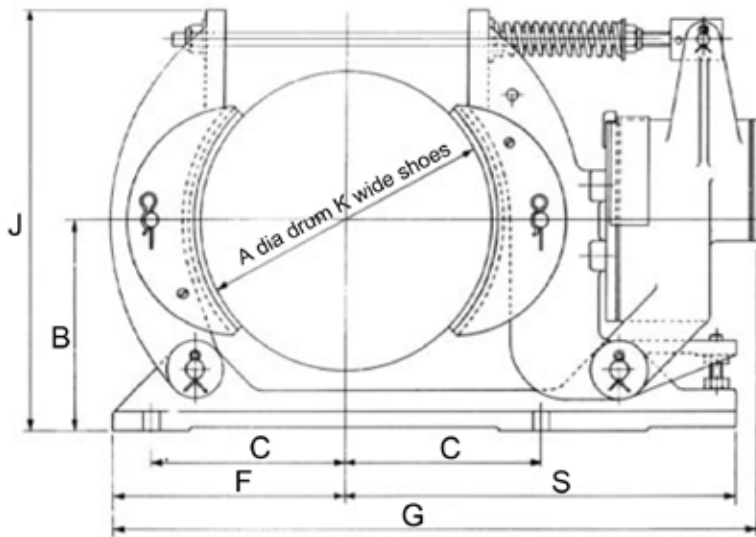


Witton Kramer Brake

Dings Coupler Brake

Size	Voltage	P/N	List	Brake Ft. Lbs	G Dim. (IN.)	LBS
4"	90 V DC	PM04.1012B.4F2B	\$3,449	22	12.0	25
	230/460 V	PM04.1062S.4F2B	\$3,449	22	12.0	25
	575 V	PM04.1046J.4F2B	\$2,935	22	12.0	25
6"	90 V DC	PM06.2103C.4G2B	\$4,710	60	14.875	56
	230/460 V	PM06.2108M.4G2B	\$4,710	60	14.875	56
	575 V	PM06.2027Q.4G2B	\$4,123	60	14.875	56
8"	90 V DC	PM08.3077C.4G2B	\$5,712	155	19.75	110
	230/460 V	PM08.3083V.4G2B	\$5,712	155	19.75	110
	575 V	PM08.3044G.4G2B	\$5,016	155	19.75	110
10"	90 V DC	PM10.4109C.4G2B	\$7,305	265	23.75	150
	230/460 V	PM10.4108V.4G2B	\$7,305	265	23.75	150
	575 V	PM10.4044G.4G2B	\$6,518	265	23.75	150
12"	90 V DC	PM12.5092C.4G2B	\$9,900	405	28.625	220
	230/460 V	PM12.5096V.4G2B	\$9,900	405	28.625	220
	575 V	PM12.5045G.4G2B	\$8,963	405	28.625	220
15"	90 V DC	PM15.6060C.4O2B	\$17,282	960	33.25	400
	230/460 V	PM15.6087V.4G2B	\$17,282	960	33.25	400
	575 V	PM15.6072G.4D2B	\$15,775	960	33.25	400

Discount Category **41**



A (dia) Inch	Ret torque lbf ft	B	C	D	E	F	G	H	J	K	M	S	Weight lbs	Consumption VA
4	22	3.375	3.0	3.0	0.312	3.75	12.0	3.875	6.0	2.0	4.0	5.75	25	65
6	60	4.75	4.0	4.0	0.375	5.0	14.875	5.5	9.0	3.0	5.0	8.0	56	80
8	155	6.0	5.5	4.5	0.375	6.5	19.75	6.875	11.5	4.0	5.625	12.5	110	150
10	265	7.0	6.5	5.0	0.5	8.0	23.75	7.625	13.5	4.0	7.0	14.125	150	200
12	405	8.75	8.5	6.0	0.625	10.25	28.625	8.125	17.0	5.0	8.0	17.125	220	250
15	960	10.5	10.0	7.0	0.75	12.0	33.25	10.125	21.0	6.0	9.0	22.0	400	350
18	1680	13.0	12.0	9.0	0.75	15.0	39.5	12.125	25.25	8.0	11.5	24.0	660	460
21	2900	15.0	14.0	10.0	0.75	17.5	42.75	15.625	28.25	9.0	13.0	25.5	950	600
24	4800	15.5	15.0	11.0	1.0	17.5	43.0	20.75	30.625	10.0	13.5	28.375	1375	700

## W-Series C-Face (B14) & D-Flange (B5) Kits

W Premium NEMA Flanges				
Frame	C Face	List	D Flange	List
	Stock Number		Stock Number	
56	27WL0002	\$40	-	\$40
143/5T	27WL0007	\$45	27WL0008	\$45
182T	27265214	\$65	27265157	\$65
182TCH	27265235	\$65	-	-
184T 2 POLE	27265214	\$65	27265157	\$65
184T 4 POLE	27WL0018	\$65	27WL0019	\$65
184TCH 2 POLE	27265235	\$65	-	-
184TCH 4 POLE	27WL0017	\$65	-	-
213/5T	27325257	\$100	27325175	\$100
254/6T	27415091	\$140	27415244	\$140
284/6T	27475142	\$220	27475150	\$220
324/6T	W1LWF/NM	\$260	W2FWD/NM	\$260
364/5T	W2FWF/NM	\$390	W2LWD/NM	\$390
404/5T	W3FWF/NM	\$620	W3LWD/NM	\$620
444/5T	W4FWF/NM	\$1,140	W3LWD/NM	\$1,140

W Premium Metric Flanges				
Frame	B14 - C Face	List	B5 - D Flange	List
	Stock Number		Stock Number	
63	27155031	\$40	27155067	\$40
71	27185110	\$40	27185084	\$40
80	27WL0004	\$45	27WL0005	\$45
90	27WL0010	\$50	27WL0011	\$50
100	27265049	\$70	27265023	\$70
112 2 POLE	27265049	\$70	27265023	\$70
112 4 POLE	27WL0020	\$70	27WL0021	\$70
132	27325064	\$125	27325034	\$125
160	27415102	\$225	27415019	\$225
180	-	-	27475024	\$320
200	-	-	W1RWD/SM	\$475
225S	-	-	W2FWD/SM	\$655
225M	-	-	W2LWD/SM	\$655
250S	-	-	W3FWD/SM	\$925
250M	-	-	W3LWD/SM	\$925
280S	-	-	W3LWD/SM	\$925
280M	-	-	W3LWD/SM	\$925
315S	-	-	W5FWD/SM	\$2,620
315L	-	-	W5LWD/SM	\$2,620

**Note:** Flange part numbers are for current models only.  
Contact our office with the motor's serial number for other models.  
**Note:** Discount codes are same as motor on pricing pages.

## Mounting Accessories

The following are the most commonly used methods of mounting electric motors.

SLIDE RAILS									
FRAME	143/5T	182/4T	213/5T	254/6T	284/6T	324/6T	364/5T	404/5T	444/5T
STOCK No.	2800001	2800003	2800005	2800007	2800009	2800011	2800013	2800015	2800017
LIST	\$41	\$67	\$67	\$116	\$116	\$232	\$232	\$373	\$373

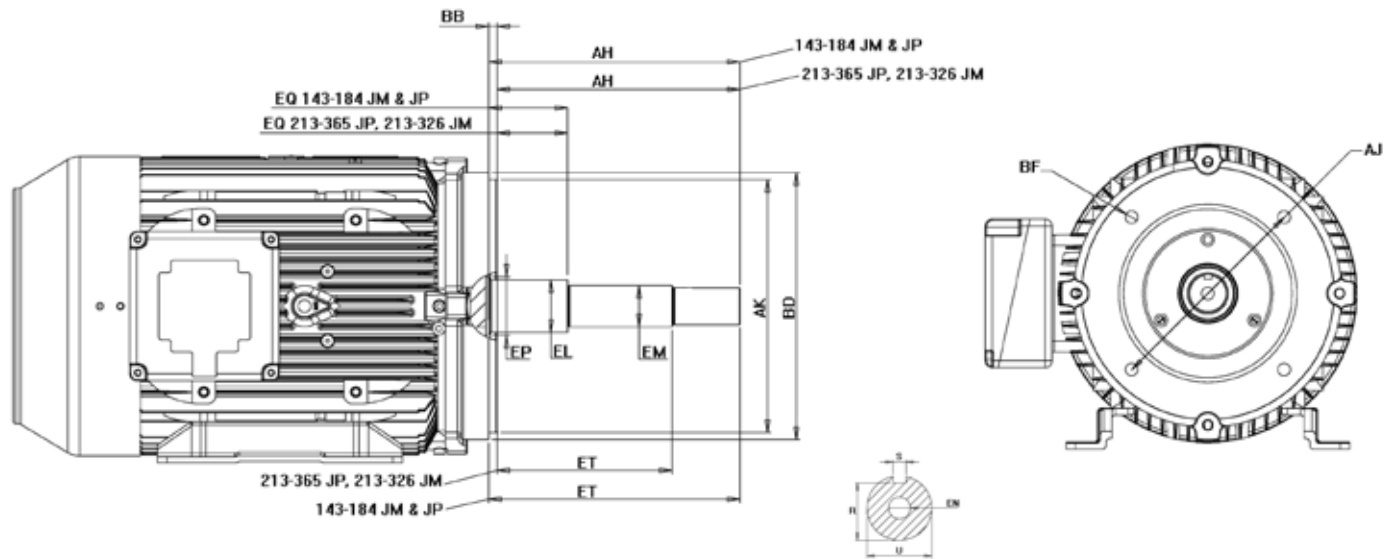
SLIDE BASES (Double adjustment screw type)											
FRAME	56	143T	145T	182T	184T	213T	215T	254T	256T	284T	286T
STOCK No.	5800000	5800001	5800002	5800003	5800004	5800005	5800006	5800007	5800008	5800009	5800010
LIST	\$58	\$58	\$58	\$71	\$71	\$91	\$91	\$104	\$104	\$112	\$112
FRAME	324T	326T	364T	365T	404T	405T	444T	445T	447T	504	505
STOCK No.	5800011	5800012	5800013	5800014	5800015	5800016	5800017	5800018	5800019	5800020	5800021
LIST	\$140	\$140	\$171	\$171	\$272	\$272	\$341	\$341	\$356	\$694	\$694

TRANSITION BASES			
RERATED FRAME SIZE	FORMER FRAME	STOCK No	LIST
143T, 145T	182,184	1814T	\$38
182T, 184T	213, 215	2118T	\$49
213T, 215T	254U, 256U	25U21T	\$55
254T,256T	284U, 286U	28U25T	\$60
284T, 286T	324U, 326U	32U28T	\$95
284TS, 286TS	326S	32S28TS	\$207
324T, 326T	364U, 365U	36U32T	\$109
364TS, 365TS	404U, 405U	40U36T	\$120
364TS, 365TS	404US, 405US	40US36TS	\$362
364T, 365T	444US, 445US	44US36TS	\$362
404T, 405T	444U, 445U	44U40T	\$152
404TS, 405TS	444US,445US	44US40TS	\$420

**STOCK MODIFICATIONS FOR TEFC MOTORS**

FRAME - NEMA	56	143/5	182/4	213/5	254/6	284/6	324/6	364/5	404/5	444/5	504/5
FRAME - METRIC	63/80	90	100/112	132	160	180	200	225	250	280	315
TEFC MODIFICATIONS											
SHAFTS											
MODIFIED (2)	\$180	\$216	\$255	\$315	\$450	\$536	\$646	\$880	\$1,077	\$1,545	\$1,915
SINGLE ENDED (1)	\$607	\$681	\$779	\$932	\$1,175	\$1,550	\$2,028	\$2,815	\$3,690	\$5,218	\$6,068
DOUBLE ENDED (1)	\$910	\$1,022	\$1,169	\$1,398	\$1,763	\$2,325	\$2,535	\$3,518	\$4,613	\$6,524	\$7,585
BLANKING PLATE WITH TAPPED HOLE	\$266	\$266	\$336	\$414	\$486	\$557	PRICING ON REQUEST				
EXTENDED LEADS UP TO 3'	\$235	\$235	\$245	\$295	\$355	\$450	\$570	\$685	\$980	\$1,215	\$1,450
SEALED BEARINGS	\$50	\$70	\$100	\$205	\$265	\$450	\$560	\$780	PRICING ON REQUEST		
BALL BEARING TO ROLLER					\$530	\$900	\$1,210	\$1,560	\$1,750	\$2,025	\$2,300
EPOXY SPRAY/DIP & BAKE	\$250	\$250	\$320	\$470	\$500	\$525	\$700	\$840	\$1,290	\$1,600	\$2,100
NAMEPLATES	\$110	\$110	\$110	\$110	\$110	\$110	\$110	\$110	\$110	\$110	\$110
TERMINAL BOARDS	\$100	\$100	\$150	\$150	\$200	\$200	\$320	\$320	\$470	\$470	\$470
CORROSION RESISTANT (3)	\$355	\$420	\$480	\$700	\$805	\$995	\$1,295	PRICING ON REQUEST			
TROPIC PROOF (4)	\$225	\$250	\$265	\$390	\$410	\$430	\$560	\$665	\$1,035	\$1,265	\$1,430
WEATHERPROOF IP56 (5)	\$306	\$367	\$429	\$651	\$753	\$944	\$1,241	PRICING ON REQUEST			
THERMISTORS/KLIXONS (6)	\$435	\$435	\$435	\$475	\$505	\$545	\$885	\$985	\$1,160	\$1,335	\$1,540
HEATERS 110 OR 220 VOLTS		\$490	\$490	\$680	\$820	\$820	\$885	\$950	\$980	\$1,105	\$1,275
DRIP COVERS	\$150	\$150	\$175	\$270	\$340	\$460	\$520	\$575	PRICING ON REQUEST		
AEGIS GROUNDING RING	\$420	\$450	\$470	\$540	\$645	\$690	\$730	\$840	\$1,128	\$1,260	\$1,310
ENCODERS	PRICING ON REQUEST										
SHAFT GROUNDING RING	PRICING ON REQUEST										
FORCED VENT BLOWERS	PRICING ON REQUEST										
FEET IN PAIRS	\$75	\$86	\$106	\$157	\$218	\$294	\$376	\$527	\$601	\$903	
CUSTOM PAINT	PRICING ON REQUEST										

# NEMA JM/JP TEFC Dimensions Frame Sizes 143-364



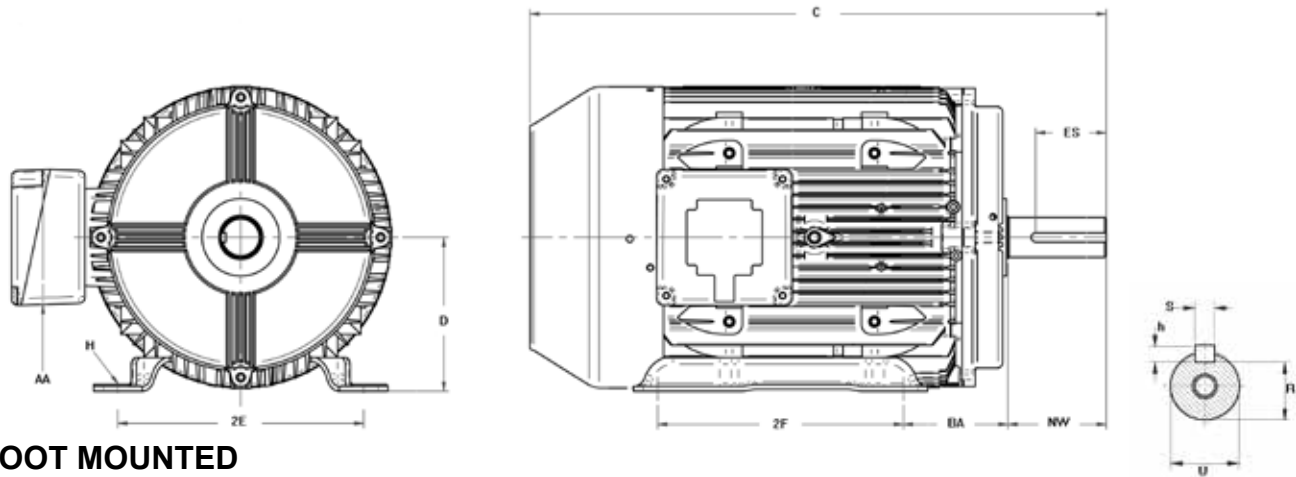
## JM Dimensions

Frame	U	AH	AJ	AK	BB	BD Max.	BF			EL	EM	EN				EQ	ER Min.	Keyseat			ET
							No.	Tap Size	Bolt Pen. Allow.			Tap Size	Tap Drill Depth Max.	Bolt Pen. Allow.	EP Min.			R	ES Min.	S	
143JM & 145JM	0.8745	4.281	5.875	4.500	0.156	6.62	4	3/8-16	0.56	1.156	1.0000	3/8-16	1.12	0.75	1.156	0.640	4.25	0.771-	1.65	0.190-	2.890
	0.8740	4.219		4.497	0.125					1.154	0.9995					0.610		0.756		0.188	
182JM & 184JM	0.8745	4.281	5.875	4.500	0.156	6.62	4	3/8-16	0.56	1.250	1.0000	3/8-16	1.12	0.75	1.250	0.640	4.25	0.771-	1.65	0.190-	2.890
	0.8740	4.219		4.497	0.125					1.248	0.9995					0.610		0.756		0.188	
213JM & 215JM	0.8745	4.281	7.250	8.500	0.312	9.00	4	1/2-13	0.75	1.250	1.0000	3/8-16	1.12	0.75	1.750	0.640	4.25	0.771-	1.65	0.190-	2.890
	0.8740	4.219		8.497	0.250					1.248	0.9995					0.610		0.756		0.188	
254JM & 256JM	1.2495	5.281	7.250	8.500	0.312	10.00	4	1/2-13	0.75	1.750	1.375	1/2-13	1.50	1.00	1.750	0.640	5.25	1.112-	2.53	0.252-	3.015
	1.2490	5.219		8.497	0.250					1.748	1.345					0.610		1.097		0.250	
284JM & 286JM	1.2495	5.281	11.00	12.500	0.312	14.00	4	5/8-11	0.94	1.750	1.375	1/2-13	1.50	1.00	2.125	0.645	5.25	1.112-	2.53	0.252-	3.020
	1.2490	5.219		12.495	0.250					1.748	1.345					0.605		1.097		0.250	
324JM & 326JM	1.2495	5.281	11.00	12.500	0.312	14.00	4	5/8-11	0.94	1.750	1.375	1/2-13	1.50	1.00	2.125	0.645	5.25	1.112-	2.53	0.252-	3.020
	1.2490	5.219		12.495	0.250					1.748	1.345					0.605		1.097		0.250	
364JM & 365JM	1.2495	5.281	11.00	12.500	0.312	14.00	4	5/8-11	0.94	1.750	1.375	1/2-13	1.50	1.00	2.125	0.645	5.25	1.112-	2.53	0.252-	3.020
	1.2490	5.219		12.495	0.250					1.748	1.345					0.605		1.097		0.250	

## JP Dimensions

Frame	U	AH	AJ	AK	BB	BD Max.	BF			EL	EM	EN				EQ	ER Min.	Keyseat			ET
							No.	Tap Size	Bolt Pen. Allow.			Tap Size	Tap Drill Depth Max.	Bolt Pen. Allow.	EP Min.			R	ES Min.	S	
143JP & 145JP	0.8745	7.343	5.875	4.500	0.156	6.62	4	3/8-16	0.56	1.156	1.0000	3/8-16	1.12	0.75	1.156	1.578	7.312	0.771-	1.65	0.190-	5.952
	0.8740	7.281		4.497	0.125					1.154	0.9995					1.548		0.756		0.188	
182JP & 184JP	0.8745	7.343	5.875	4.500	0.156	6.62	4	3/8-16	0.56	1.250	1.0000	3/8-16	1.12	0.75	1.250	1.578	7.312	0.771-	1.65	0.190-	5.952
	0.8740	7.281		4.497	0.125					1.248	0.9995					1.548		0.756		0.188	
213JP & 215JP	0.8745	8.156	7.250	8.500	0.312	9.00	4	1/2-13	0.75	1.750	1.3750	1/2-13	1.50	1.00	1.750	2.390	8.125	1.112-	2.53	0.252-	5.890
	0.8740	8.094		8.497	0.250					1.748	1.3745					2.360		1.097		0.250	
254JP & 256JP	1.2495	8.156	7.250	8.500	0.312	10.00	4	1/2-13	0.75	1.750	1.3750	1/2-13	1.50	1.00	1.750	2.390	8.125	1.112-	2.53	0.252-	5.890
	1.2490	8.094		8.497	0.250					1.748	1.3745					2.360		1.097		0.250	
284JP & 286JP	1.2495	8.156	11.00	12.500	0.312	14.00	4	5/8-11	0.94	1.750	1.3750	1/2-13	1.50	1.00	2.125	2.390	8.125	1.112-	2.53	0.252-	5.895
	1.2490	8.094		12.495	0.250					1.748	1.3745					2.360		1.097		0.250	
324JP & 326JP	1.2495	8.156	11.00	12.500	0.312	14.00	4	5/8-11	0.94	1.750	1.3750	1/2-13	1.50	1.00	2.125	2.395	8.125	1.112-	2.53	0.252-	5.895
	1.2490	8.094		12.495	0.250					1.748	1.3745					2.355		1.097		0.250	
364JP & 365JP	1.2495	8.156	11.00	12.500	0.312	14.00	4	5/8-11	0.94	2.125	1.7500	1/2-13	1.50	1.00	2.500	2.395	8.125	1.416-	2.53	0.377-	5.895
	1.2490	8.094		12.495	0.250					2.123	1.7495					2.355		0.375		5.855	

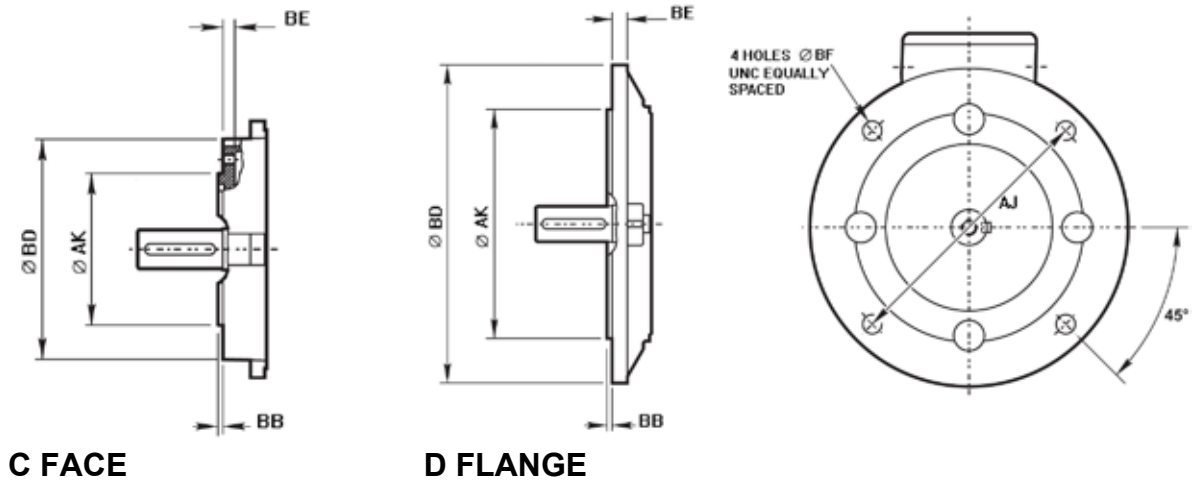
\*For standard NEMA foot dimensions see page 96



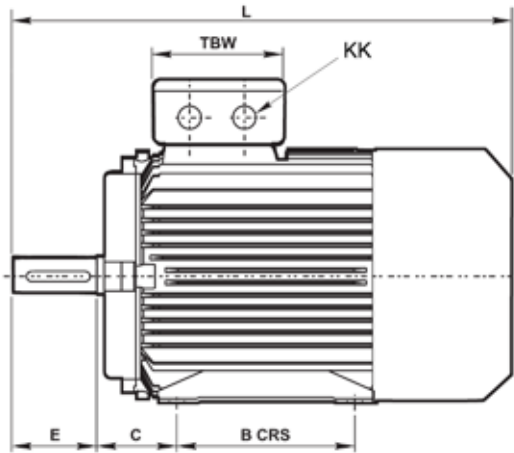
**FOOT MOUNTED**

Frame Size	FOOT INSTALLATION DIM.				SHAFT INSTALLATION DIM.						GENERAL DIM.	
	2E	2F	H	BA	N-W	U	S	AH	R	ES	D	AA
56	4.87	3.0	0.34	2.75	1.875	0.625	0.187	2.062	0.517	1.37	3.50	0.50
143T	5.5	4.0	0.34	2.25	2.25	0.875	0.187	2.125	0.771	1.37	3.50	0.75
145T		5.0	0.34	2.25	2.25	0.875	0.187	2.125	0.771	1.37	3.50	0.75
182T	7.5	4.5	0.50	2.75	2.75	1.125	0.25	2.625	0.986	1.88	4.50	0.75
184T		5.5	0.50	2.75	2.75	1.125	0.25	2.625	0.986	1.88	4.50	0.75
213T	8.5	5.5	0.50	3.50	3.375	1.375	0.312	3.125	1.201	2.38	5.25	1.00
215T		7.0	0.50	3.50	3.375	1.375	0.312	3.125	1.201	2.38	5.25	1.00
254T	10	8.25	0.59	4.25	4.00	1.625	0.375	3.75	1.416	2.87	6.25	1.25
256T		10	0.59	4.25	4.00	1.625	0.375	3.75	1.416	2.87	6.25	1.25
284T	11	9.5	0.59	4.75	4.625	1.875	0.50	4.375	1.591	3.25	7.00	1.50
284TS		9.5	0.59	4.75	3.25	1.625	0.375	3.00	1.416	1.87	7.00	1.50
286T	11	11	0.59	4.75	4.625	1.875	0.50	4.375	1.591	3.25	7.00	1.50
286TS		11	0.59	4.75	3.25	1.625	0.375	3.00	1.416	1.87	7.00	1.50
324T	12.5	10.50	0.63	5.25	5.25	2.13	0.50	5.00	1.845	4.75	8.00	2.00
324TS		10.50	0.63	5.25	3.75	1.88	0.50	3.50	1.591	3.25	8.00	2.00
326T	12.5	12	0.63	5.25	5.25	2.13	0.50	5.00	1.845	4.75	8.00	2.00
326TS		12	0.63	5.25	3.75	1.88	0.50	3.50	1.591	3.25	8.00	2.00
364T	14	11.25	0.63	5.88	5.88	2.38	0.63	5.38	2.021	5.00	9.00	3.00
364TS		11.25	0.63	5.88	3.75	1.88	0.50	3.50	1.591	3.25	9.00	3.00
365T	14	12.25	0.63	5.88	5.88	2.38	0.63	5.38	2.021	5.00	9.00	3.00
365TS		12.25	0.63	5.88	3.75	1.88	0.50	3.50	1.591	3.25	9.00	3.00
404T	16	12.25	0.75	6.63	7.25	2.88	0.75	7.25	2.450	6.50	10.00	3.00
404TS		12.25	0.75	6.63	4.25	2.13	0.50	4.00	1.845	3.25	10.00	3.00
405T	16	13.75	0.75	6.63	7.25	2.88	0.75	7.25	2.450	6.50	10.00	3.00
405TS		13.75	0.75	6.63	4.25	2.13	0.50	4.00	1.845	3.25	10.00	3.00
444T	18	14.50	0.75	7.50	8.50	3.38	0.88	8.25	2.880	7.00	11.00	3.00
444TS		14.50	0.75	7.50	4.75	2.38	0.63	4.50	2.021	4.13	11.00	3.00
445T	18	16.50	0.75	7.50	8.50	3.38	0.88	8.25	2.880	7.00	11.00	3.00
445TS		16.50	0.75	7.50	4.75	2.38	0.63	4.50	2.021	4.13	11.00	3.00
447T	18	20	0.75	7.50	8.50	3.38	0.88	8.25	2.880	7.00	11.00	3.00
447TS		20	0.75	7.50	4.75	2.38	0.63	4.50	2.021	4.13	11.00	3.00
504Z	20	16	1.00	8.50	9.25	3.63	0.88	9.00	3.134	8.50	12.50	3.00
504SZ		16	1.00	8.50	5.50	2.75	0.63	5.25	2.402	4.88	12.50	3.00
505Z	20	18	1.00	8.50	9.25	3.63	0.88	9.00	3.134	8.50	12.50	3.00
505SZ		18	1.00	8.50	5.50	2.75	0.63	5.25	2.402	4.88	12.50	3.00
585Z	24	20	1.00	10.00	10.00	3.88	1.00	10.00	3.309	9.75	14.50	3.00
585SZ		20	1.00	10.00	7.75	3.00	0.75	7.75	2.569	7.75	14.50	3.00
586Z	24	22	1.00	10.00	10.00	3.88	1.00	10.00	3.309	9.75	14.50	3.00
586SZ		22	1.00	10.00	7.75	3.00	0.75	7.75	2.569	7.75	14.50	3.00

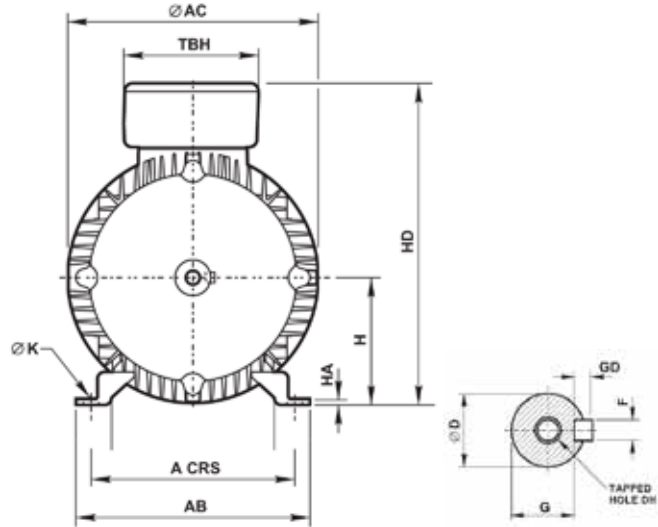
# NEMA TEFC Dimensions Frame Sizes 56 - 586



Frame Size	D FLANGE DIMENSIONS					C FACE DIMENSIONS				
	AJ	AK	BB	BD	BF	AJ	AK	BB	BD	BF
56	-	-	-	-	-	5.87	4.5	0.12	6.5	0.37
143T	10	9	0.25	11	0.53	5.87	4.5	0.12	6.5	0.37
145T	10	9	0.25	11	0.53	7.25	8.5	0.16 0.25	9 6.5	0.50
182T	10	9	0.25	11	0.53	7.25	8.5	0.16 0.25	9 6.5	0.50
184T	-	-	-	-	-	5.88	4.5	0.16 0.25	6.5	0.38
182TCH	-	-	-	-	-	5.88	4.5	0.16 0.25	6.5	0.38
184TCH	-	-	-	-	-	5.88	4.5	0.16 0.25	6.5	0.38
213T	10	9	0.25	11	0.53	7.25	8.5	0.25	9	0.50
215T	10	9	0.25	11	0.53	7.25	8.5	0.25	9	0.50
254T	12.50	11	0.25	14	0.81	7.25	8.5	0.25	9.84	0.50
256T	12.50	11	0.25	14	0.81	7.25	8.5	0.25	9.84	0.50
284T	12.50	11	0.25	14	0.81	9	10.5	0.25	11.25	0.50
286T	12.50	11	0.25	14	0.81	9	10.5	0.25	11.25	0.50
284TS	12.50	11	0.25	14	0.81	9	10.5	0.25	11.25	0.50
286TS	12.50	11	0.25	14	0.81	9	10.5	0.25	11.25	0.50
324T	16	14	0.25	17.75	0.81	11	12.50	0.25	13	0.63
326T	16	14	0.25	17.75	0.81	11	12.50	0.25	13	0.63
324TS	16	14	0.25	17.75	0.81	11	12.50	0.25	13	0.63
326TS	16	14	0.25	17.75	0.81	11	12.50	0.25	13	0.63
364T	16	14	0.25	17.75	0.81	11	12.50	0.25	13.75	0.63
365T	16	14	0.25	17.75	0.81	11	12.50	0.25	13.75	0.63
364TS	16	14	0.25	17.75	0.81	11	12.50	0.25	13.75	0.63
365TS	16	14	0.25	17.75	0.81	11	12.50	0.25	13.75	0.63
404T	20	18	0.25	21.63	0.81	11	12.50	0.25	14.50	0.63
405T	20	18	0.25	21.63	0.81	11	12.50	0.25	14.50	0.63
404TS	20	18	0.25	21.63	0.81	11	12.50	0.25	14.50	0.63
405TS	20	18	0.25	21.63	0.81	11	12.50	0.25	14.50	0.63
444T	20	18	0.25	21.63	0.81	14	16	0.25	17.50	0.63
445T	20	18	0.25	21.63	0.81	14	16	0.25	17.50	0.63
444TS	20	18	0.25	21.63	0.81	14	16	0.25	17.50	0.63
445TS	20	18	0.25	21.63	0.81	14	16	0.25	17.50	0.63
447T	20	18	0.25	21.63	0.81	14	16	0.25	17.50	0.63
449T	20	18	0.25	21.63	0.81	14	16	0.25	17.50	0.63
447TS	20	18	0.25	21.63	0.81	14	16	0.25	17.50	0.63
449TS	20	18	0.25	21.63	0.81	14	16	0.25	17.50	0.63
504SZ	22	18	0.25	25	0.94	14.50	16.50	0.25	17.50	0.63
504Z	22	18	0.25	25	0.94	14.50	16.50	0.25	17.50	0.63
505SZ	22	18	0.25	25	0.94	14.50	16.50	0.25	17.50	0.63
505Z	22	18	0.25	25	0.94	14.50	16.50	0.25	17.50	0.63
585SZ	29.13	26.77	0.25	31.50	0.94	-	-	-	-	-
585Z	29.13	26.77	0.25	31.50	0.94	-	-	-	-	-
586SZ	29.13	26.77	0.25	31.50	0.94	-	-	-	-	-
586Z	29.13	26.77	0.25	31.50	0.94	-	-	-	-	-



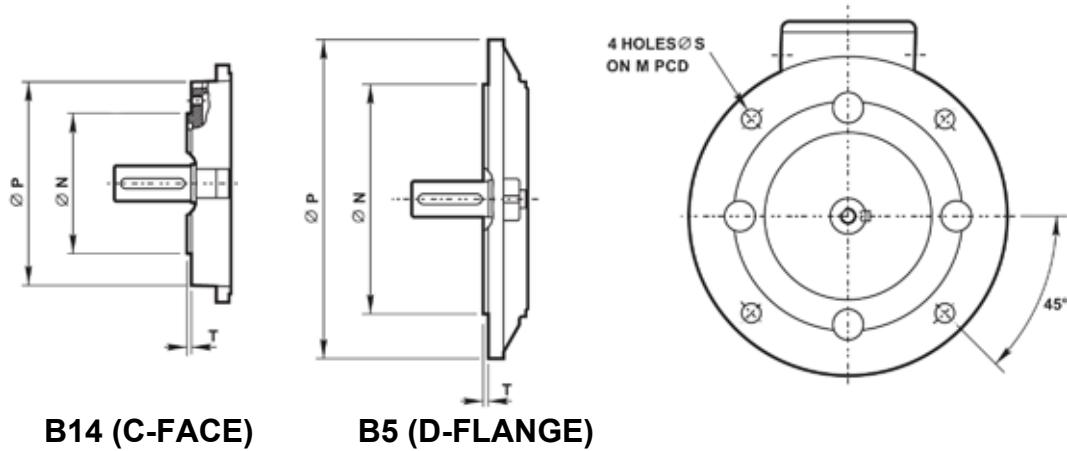
**B3 (FOOT MOUNTED)**



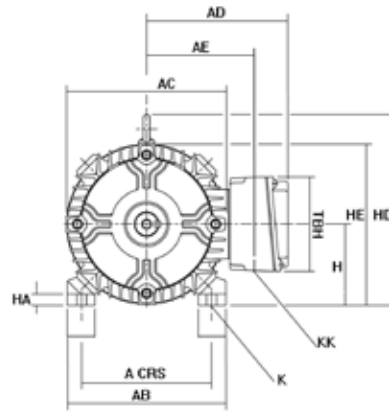
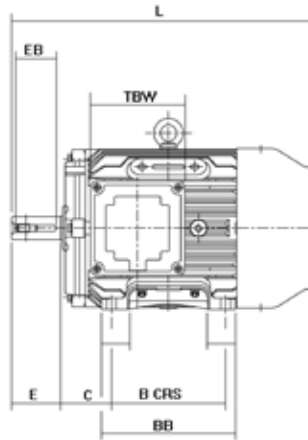
Frame Size	FOOT MOUNTING				SHAFT					GENERAL						
	H	A	B	C	D	E	F	G	K	AB	HD	AC	TBW	TBH	KK	
63	63	100	80	40	11	23	4	8.5	7	119	163	126	86	86	1 X CM20	
71	71	112	90	45	14	30	5	11	7	131	163	140	86	86	1 X CM20	
80M	80	125	100	50	19	40	6	15.5	10	157	212	157	86	86	1 X CM20	
90S	90	140	100	56	24	50	8	20	10	164	225	178	86	86	1 X CM20	
90L	90	140	125	56	24	50	8	20	10	164	225	178	86	86	1 X CM20	
100L	100	160	140	63	28	60	8	24	12	164	267	178	127	127	2 X CM20	
112M	112	190	140	70	28	60	8	24	12	218	279	215	127	127	2 X CM25	
132S	132	216	140	89	38	80	10	33	12	242	332	255	127	127	2 X CM25	
132M	132	216	178	89	38	80	10	33	12	242	332	255	127	127	2 X CM25	
160M	160	254	210	108	42	110	12	37	15	304	400	312	140	140	2 X CM32	
160L	160	254	254	108	42	110	12	37	15	304	400	312	140	140	2 X CM32	
180M	180	279	241	121	48	110	14	42.5	15	329	400	354	140	140	2 X CM32	
180L	180	279	279	121	48	110	14	42.5	15	329	400	354	140	140	2 X CM32	
200L	200	318	305	133	55	110	16	49	19	386	525	410	220	161	-	
225S	2	225	356	286	149	55	110	16	49	M16	426	550	410	220	161	-
	4,8					60	140	18	53							
225M	2	225	356	311	149	55	110	16	49	M16	426	570	448	220	161	-
	4,6,8					60	140	18	53							
250M	2	250	406	349	168	60	140	18	53	M20	482	595	448	220	161	-
	4,6,8					65	140	18	58							
280S	2	280	457	368	190	65	140	18	58	M20	540	655	508	220	161	-
	4,6,8					75	140	20	67.5							
280M	2	280	457	419	190	65	140	18	58	M20	540	655	508	220	161	-
	4,6,8					75	140	20	67.5							
315S	2	315	508	406	216	65	170	18	58	M24	597	845	563	330	326	-
	4,6,8					80	170	20	71							
315M	2	315	508	457	216	65	170	18	58	M24	597	845	563	330	326	-
	4,6,8					80	170	20	71							
315L	2	315	508	508	216	65	170	18	58	M24	597	875	640	330	326	-
	4,6,8					80	170	20	71							



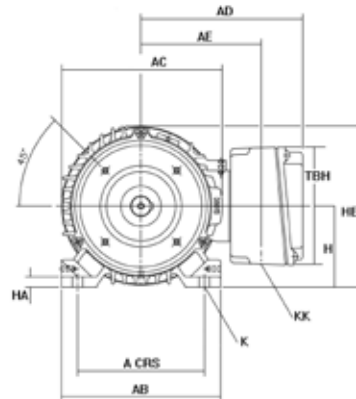
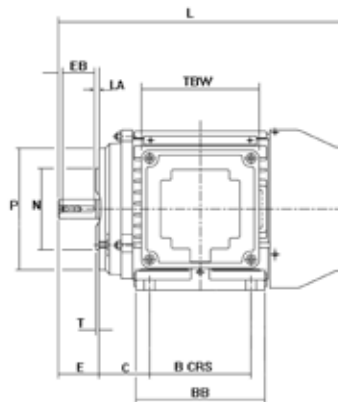
**IEC Euronorm TEFC Dimensions**  
**TEFC Dimensions Frame Sizes 63 - 315**



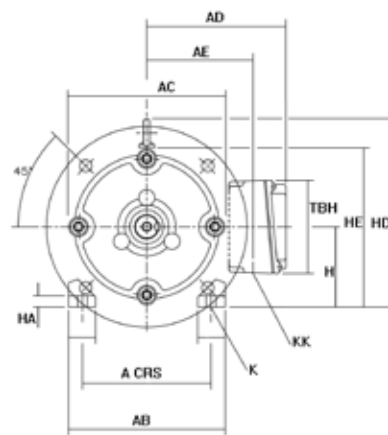
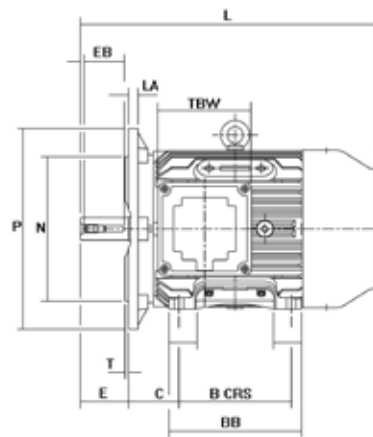
Frame Size	D FLANGE (B5)					C FACE (B14)				
	N	M	P	S	T	N	M	P	S	T
63	95	115	140	10	3	60	75	90	M5	2.5
71	110	130	160	10	3.5	70	85	105	M6	2.5
80M	130	165	200	12	3.5	80	100	120	M6	3.0
90S	130	165	200	12	3.5	95	115	140	M8	3.0
90L	130	165	200	12	3.5	95	115	140	M8	3.0
100L	180	215	250	14.5	4	110	130	160	M8	3.5
112M	180	215	250	14.5	4	110	130	160	M8	3.5
132S	230	265	300	14.5	4	130	165	200	M10	3.5
132M	230	265	300	14.5	4	130	165	200	M10	3.5
160M	250	300	350	18.5	5	180	215	250	M12	4.0
160L	250	300	350	18.5	5	180	215	250	M12	4.0
180M	250	300	350	18.5	5	-	-	-	-	-
180L	250	300	350	18.5	5	-	-	-	-	-
200L	300	350	400	19	5	-	-	-	-	-
225S	350	400	450	19	5	-	-	-	-	-
225M	350	400	450	19	5	-	-	-	-	-
250M	450	500	550	19	5	-	-	-	-	-
280S	450	500	550	19	5	-	-	-	-	-
280M	450	500	550	19	5	-	-	-	-	-
315S	450	500	550	19	5	-	-	-	-	-
315M	550	600	650	24	6	-	-	-	-	-
315L	550	600	650	24	6	-	-	-	-	-



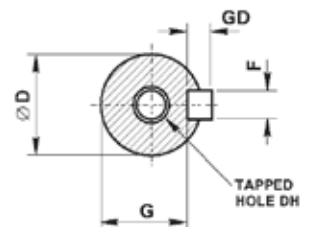
**FOOT MOUNTED**



**C FACE MOUNTED**



**D FLANGE MOUNTED**



# IEC British Standard TEFC Dimensions

## Frame Sizes 80 - 315

GENERAL														
FRAME	A	B	C	H	K	AA	AB	BB	HA	AC	HD	TBW	TBH	KK
80M	125	100	50	80	10	35	157	127	10	156	236	120	120	20
80S	125	100	50	80	10	35	157	127	10	156	236	120	120	20
90S	140	100	56	90	10	35	164	150	12	178	225	120	120	20
90L	140	125	56	90	10	35	164	150	12	178	225	120	120	20
100L	160	140	63	100	12	34	184	170	14	199	254	120	120	20
112M	190	140	70	112	12	40	218	170	16	215	279	135	135	25
132S	216	140	89	132	12	47	242	208	16	255	320	135	135	25
132M	216	178	89	132	12	47	242	208	16	255	320	135	135	25
160M	254	210	108	160	15	55	304	304	22	314	400	174	174	32
160L	254	254	108	160	15	55	304	304	22	314	400	174	174	32
180M	279	241	121	180	15	64	329	329	22	358	440	174	174	32
180L	279	279	121	180	15	64	329	329	22	358	440	174	174	32
200L	318	305	133	200	19	74	382	369	30	358	460	176	176	
225S	356	286	149	225	M16	70	426	349	25	410	550	220	285	
225M	356	311	149	225	M16	70	426	374	25	448	570	220	285	
250S	406	311	168	250	M20	79	482	381	28	448	595	220	285	
250M	406	349	168	250	M20	79	482	419	35	508	625	220	285	
280S	457	368	190	280	M20	83	540	438	35	508	655	220	285	
280M	457	419	190	280	M20	83	540	487	38	563	810	220	285	
315S	508	406	216	315	M24	89	597	483	38	563	845	330	326	
315M	508	457	216	315	M24	89	597	533	38	640	875	330	326	
315L	508	508	216	315	M24	89	597	583	38	640	875	330	326	

D FLANGE (B5)							C FACE (B14)						SHAFT DRIVE END										
FRAME	M	N	P	S	T	LA	FRAME	M	N	P	S	T	LA	FRAME	D	E	F	G	GD	EB	ED	DH	
63	115	95	140	10	3	7	63	75	60	90	M5	2.5	7	63	11	23	4	8.5	4	10	0	M4X10	
71	130	110	160	10	3.5	7	71	85	70	105	M6	2.5	9	71	14	30	5	11	5	20	5	M5X12.5	
80	165	130	200	12	3.5	12	80	100	80	120	M6	3.0	9	80	19	40	6	15.5	6	32	4	M6X16	
90S/L	165	130	200	12	3.5	10	90S/L	115	95	140	M8	3.0	9	90S/L	24	50	8	20	7	40	5	M8X19	
100L	215	180	250	14.5	4	12	100L	130	110	160	M8	3.5	12.5	100L	28	60	8	23.9	7	50	5	M10X22	
112M	215	180	250	14.5	4	12	112M	130	110	164	M8	3.5	13	112M	28	60	8	23.9	7	50	5	M10X22	
132S/M	265	230	300	14.5	4	12	132S/M	165	130	200	M10	3.5	14	132S/M	38	80	10	33	8	70	5	M12X28	
160M/L	300	250	350	18.5	5	13	160M/L	215	180	250	M14	4.0	13	160M/L	42	110	12	37	8	100	5	M16X36	
180M/L	300	250	350	18.5	5	15	180M/L	-	-	-	-	-	-	180M/L	48	110	14	42.5	9	100	5	M16X36	
200L	350	300	400	19	5	19	200L	-	-	-	-	-	-	200L	55	110	16	49	10	100	5	M20X42	
225S/M	400	350	450	19	5	19	225S/M	-	-	-	-	-	-	-	-	-	-	-	-	-	-	-	-
250S/M	500	450	550	19	5	25	250S/M	-	-	-	-	-	-	-	-	-	-	-	-	-	-	-	-
280S/M	500	450	550	19	5	25	280S/M	-	-	-	-	-	-	-	-	-	-	-	-	-	-	-	-
315S/M/L	600	550	660	24	6	29	315S/M/L	-	-	-	-	-	-	-	-	-	-	-	-	-	-	-	-

SHAFT DRIVE END																	
1800 RPM >									3600 RPM								
FRAME	D	E	F	G	GD	EB	ED	DH	FRAME	D	E	F	G	GD	EB	ED	DH
225S	60	140	18	53	11	125	5	M20X42	225S	55	110	16	49	10	100	5	M20X42
225M	60	140	18	53	11	125	5	M20X42	225M	55	110	16	49	10	100	5	M20X43
250S	70	140	20	62.5	12	125	5	M20X42	250S	60	140	18	53	11	125	5	M20X44
250M	70	140	20	62.5	12	125	5	M20X42	250M	60	140	18	53	11	125	5	M20X45
280S	80	170	22	71	14	160	5	M20X42	280S	65	140	18	58	11	125	5	M20X46
280M	80	170	22	71	14	160	5	M20X42	280M	65	140	18	58	11	125	5	M20X47
315S	85	170	22	76	14	160	5	M20X42	315S	65	140	18	58	11	125	5	M20X48
315M	85	170	22	76	14	160	5	M20X42	315M	65	140	18	58	11	125	5	M20X49
315L	85	170	22	76	14	160	5	M20X42	315L	65	140	18	58	11	125	5	M20X50

**Definition  
IP (Ingress Protection)  
IEC Metric Motors**



Protection Against Solid Objects			Protection Against Liquids		
#	Brief Description*	Definitions	#	Brief Description*	Definitions
<b>0</b>	Non-protected machines	No special protection	<b>0</b>	Non-protected machines	No special protection
<b>1</b>	Machine protected against solid objects greater than 50 mm**	Accidental or inadvertent contact with or approach to live and moving parts inside the enclosure by a large surface of the human body, such as a hand (but no protection against deliberate access). Ingress of solid objects exceeding 50 mm in diameter	<b>1</b>	Machine protected against dripping water	Dripping water (vertically falling drops) shall have no harmful effect.
<b>2</b>	Machine protected against solid objects greater than 12 mm**	Contact by fingers or similar objects not exceeding 80 mm in length with or approach to live or moving parts inside the enclosure. Ingress of solid objects exceeding 12 mm in diameter.	<b>2</b>	Machine protected against dripping water when tilted up to 15°	Vertically dripping water shall have no harmful effect when the machine is tilted in any angle up to 15° from its normal position
<b>3</b>	Machine protected against solid objects greater than 2.5 mm**	Contact with or approach to live or moving parts inside the enclosure by tools or wires exceeding 2.5 mm in diameter. Ingress of solid objects exceeding 1 mm in diameter.	<b>3</b>	Machine protected against spraying water	Vertically dripping water shall have no harmful effect when the machine is tilted in any angle up to 15° from its normal position
<b>4</b>	Machine protected against solid objects greater than 1mm**	Contact with or approach to live or moving parts inside the enclosure by wires or strips of thickness greater than 1 mm in diameter.	<b>4</b>	Machine protected against splashing water	Water falling as a spray at any angle up to 60° from the vertical shall have no harmful effect
<b>5</b>	Dust-protected machine†	Contact with or approach to live or moving parts inside the enclosure. Ingress of dust is not totally prevented but dust does not enter in sufficient quantity to interfere with satisfactory operation of the machine.	<b>5</b>	Machine protected against water jets	Water projected by a nozzle against the machine from any direction shall have no harmful effect.
<b>6</b>	Dust-tight machine†	Contact with or approach to live or moving parts inside the enclosure. No ingress of dust	<b>6</b>	Machine protected against heavy seas	Water from heavy seas or water projected in powerful jets shall not enter the machine in harmful quantities.

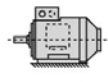
\* The brief description given in column 2 on this table should not be used to specify the form of protection.

\*\* Machines assigned a first characteristic number 1,2,3 or 4 will exclude both regularly or irregularly shaped solid objects provided that three normally perpendicular dimensions of the object exceed the appropriate figure in column "Definition".

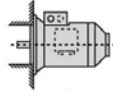
† The degree of protection against dust defined by this standard is a general one. When the nature (dimensions of particles, their nature, for instance fibrous particles) is specified, test conditions should be determined by an agreement between manufacturer and user.

## IEC Mounting Codes

Horizontal shaft:



IM B3  
IM 1001  
foot mounted



IM B5  
IM 3001  
flange at DE  
no feet



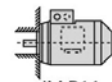
IM B6  
IM 1051  
foot wall mounted with  
feet on left-hand side  
when viewed from DE



IM B7  
IM 1061  
foot wall mounted with  
feet on right-hand side  
when viewed from DE

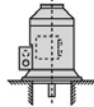


IM B8  
IM 1071  
ceiling mounted  
with feet  
above motor

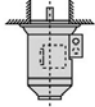


IM B14  
IM 3601  
face at DE  
no feet

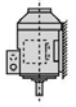
Vertical shaft:



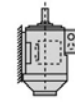
IM V1  
IM 3011  
flange at DE  
shaft down  
no feet



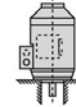
IM V3  
IM 3031  
flange at DE  
shaft up  
no feet



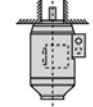
IM V5  
IM 1011  
vertical foot  
wall mounted  
shaft down



IM V6  
IM 1031  
vertical foot  
wall mounted  
shaft up



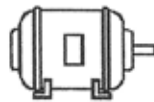
IM V18  
IM 3611  
face at DE  
shaft down  
no feet



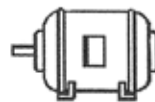
IM V19  
IM 3631  
face at DE  
shaft up  
no feet

## NEMA Mounting Codes

### FLOOR MOUNTINGS



ASSEMBLY F-1



ASSEMBLY F-2

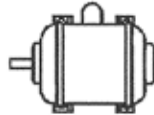


ASSEMBLY F-3

### WALL MOUNTINGS



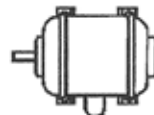
ASSEMBLY W-1



ASSEMBLY W-2



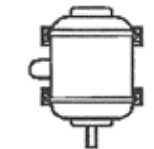
ASSEMBLY W-3



ASSEMBLY W-4



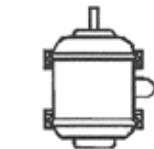
ASSEMBLY W-5



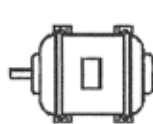
ASSEMBLY W-6



ASSEMBLY W-7



ASSEMBLY W-8



ASSEMBLY W-9



ASSEMBLY W-10



ASSEMBLY W-11

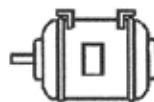


ASSEMBLY W-12

### CEILING MOUNTINGS



ASSEMBLY C-1



ASSEMBLY C-2



ASSEMBLY C-3

Part #	Page	Part #	Page	Part #	Page	Part #	Page	Part #	Page
404713	87	358E322WC-00	66	AB4M030-ED	68	AC2M025-EC	73	AC4M060-E	71
404745	87	358E322WC-04	69	AB4M1.5-E	65	AC2M025-ED	74	AC4M060-ED	74
406713	87	AB2M002-E	65	AB4M1.5-EC	67	AC2M030-E	71	AC4M075-E	71
406744	87	AB2M002-EC	67	AB4M1.5-ED	68	AC2M030-ED	74	AC4M075-ED	74
408713	87	AB2M002-ED	68	AB4M5.5-E	65	AC2M040-E	71	AC4M1.5-E	71
408751	87	AB2M003-E	65	AB4M5.5-EC	67	AC2M040-ED	74	AC4M1.5-EC	73
410703	87	AB2M003-EC	67	AB4M5.5-ED	68	AC2M050-E	71	AC4M1.5-ED	74
410746	87	AB2M003-ED	68	AB4M7.5-E	65	AC2M050-ED	74	AC4M100-E	71
412709	87	AB2M004-E	65	AB4M7.5-EC	67	AC2M060-E	71	AC4M100-ED	74
412749	87	AB2M004-EC	67	AB4M7.5-ED	68	AC2M060-ED	74	AC4M125-E	72
358E116WC-00	65	AB2M004-ED	68	AB6M001-E	65	AC2M075-E	71	AC4M125-ED	75
358E116WC-04	68	AB2M010-E	65	AB6M001-EC	67	AC2M075-ED	74	AC4M150-E	72
358E117WC-00	65	AB2M010-EC	67	AB6M001-ED	68	AC2M1.5-E	71	AC4M150-ED	75
358E117WC-04	68	AB2M010-ED	68	AB6M002-E	65	AC2M1.5-EC	73	AC4M200-E	72
358E118WC-00	65	AB2M015-E	65	AB6M002-EC	67	AC2M1.5-ED	74	AC4M200-ED	75
358E118WC-04	68	AB2M015-EC	67	AB6M002-ED	68	AC2M100-E	71	AC4M5.5-E	71
358E119WC-00	65	AB2M015-ED	68	AB6M003-E	65	AC2M100-ED	74	AC4M5.5-EC	73
358E119WC-04	68	AB2M020-E	65	AB6M003-EC	67	AC2M125-E	72	AC4M5.5-ED	74
358E120WC-00	65	AB2M020-EC	67	AB6M003-ED	68	AC2M125-ED	75	AC4M7.5-E	71
358E120WC-04	68	AB2M020-ED	68	AB6M004-E	65	AC2M150-E	72	AC4M7.5-EC	73
358E121WC-00	66	AB2M025-E	65	AB6M004-EC	67	AC2M150-ED	75	AC4M7.5-ED	74
358E121WC-04	69	AB2M025-EC	67	AB6M004-ED	68	AC2M200-E	72	AC6M001-E	71
358E122WC-00	66	AB2M025-ED	68	AB6M010-E	65	AC2M200-ED	75	AC6M001-EC	73
358E122WC-04	69	AB2M030-E	65	AB6M010-EC	67	AC2M5.5-E	71	AC6M001-ED	74
358E123WC-00	66	AB2M030-ED	68	AB6M010-ED	68	AC2M5.5-EC	73	AC6M002-E	71
358E123WC-04	69	AB2M1.5-E	65	AB6M015-E	65	AC2M5.5-ED	74	AC6M002-EC	73
358E216WC-00	65	AB2M1.5-EC	67	AB6M015-EC	67	AC2M7.5-E	71	AC6M002-ED	74
358E216WC-04	68	AB2M1.5-ED	68	AB6M015-ED	68	AC2M7.5-EC	73	AC6M003-E	71
358E217WC-00	65	AB2M5.5-E	65	AB6M020-E	65	AC2M7.5-ED	74	AC6M003-EC	73
358E217WC-04	68	AB2M5.5-EC	67	AB6M020-ED	68	AC4M001-E	71	AC6M003-ED	74
358E218WC-00	65	AB2M5.5-ED	68	AB6M1.5-E	65	AC4M001-EC	73	AC6M004-E	71
358E218WC-04	68	AB2M7.5-E	65	AB6M1.5-EC	67	AC4M001-ED	74	AC6M004-EC	73
358E219WC-00	65	AB2M7.5-EC	67	AB6M1.5-ED	68	AC4M002-E	71	AC6M004-ED	74
358E219WC-04	68	AB2M7.5-ED	68	AB6M5.5-E	65	AC4M002-EC	73	AC6M010-E	71
358E220WC-00	65	AB4M001-E	65	AB6M5.5-EC	67	AC4M002-ED	74	AC6M010-EC	73
358E220WC-04	68	AB4M001-EC	67	AB6M5.5-ED	68	AC4M003-E	71	AC6M010-ED	74
358E221WC-00	66	AB4M001-ED	68	AB6M7.5-E	65	AC4M003-EC	73	AC6M015-E	71
358E221WC-04	69	AB4M002-E	65	AB6M7.5-EC	67	AC4M003-ED	74	AC6M015-EC	73
358E222WC-00	66	AB4M002-EC	67	AB6M7.5-ED	68	AC4M004-E	71	AC6M015-ED	74
358E222WC-04	69	AB4M002-ED	68	AC2M002-E	71	AC4M004-EC	73	AC6M020-E	71
358E223WC-00	66	AB4M003-E	65	AC2M002-EC	73	AC4M004-ED	74	AC6M020-ED	74
358E223WC-04	69	AB4M003-EC	67	AC2M002-ED	74	AC4M010-E	71	AC6M025-E	71
358E314WC-00	65	AB4M003-ED	68	AC2M003-E	71	AC4M010-EC	73	AC6M025-ED	74
358E314WC-04	68	AB4M004-E	65	AC2M003-EC	73	AC4M010-ED	74	AC6M030-E	71
358E315WC-00	65	AB4M004-EC	67	AC2M003-ED	74	AC4M015-E	71	AC6M030-ED	74
358E315WC-04	68	AB4M004-ED	68	AC2M004-E	71	AC4M015-EC	73	AC6M040-E	71
358E316WC-00	65	AB4M010-E	65	AC2M004-EC	73	AC4M015-ED	74	AC6M040-ED	74
358E316WC-04	68	AB4M010-EC	67	AC2M004-ED	74	AC4M020-E	71	AC6M050-E	71
358E317WC-00	65	AB4M010-ED	68	AC2M010-E	71	AC4M020-EC	73	AC6M050-ED	74
358E317WC-04	68	AB4M015-E	65	AC2M010-EC	73	AC4M020-ED	74	AC6M060-E	71
358E318WC-00	65	AB4M015-EC	67	AC2M010-ED	74	AC4M025-E	71	AC6M060-ED	74
358E318WC-04	68	AB4M015-ED	68	AC2M015-E	71	AC4M025-ED	74	AC6M075-E	71
358E319WC-00	65	AB4M020-E	65	AC2M015-EC	73	AC4M030-E	71	AC6M075-ED	74
358E319WC-04	68	AB4M020-EC	67	AC2M015-ED	74	AC4M030-ED	74	AC6M1.5-E	71
358E320WC-00	65	AB4M020-ED	68	AC2M020-E	71	AC4M040-E	71	AC6M1.5-EC	73
358E320WC-04	68	AB4M025-E	65	AC2M020-EC	73	AC4M040-ED	74	AC6M1.5-ED	74
358E321WC-00	66	AB4M025-ED	68	AC2M020-ED	74	AC4M050-E	71	AC6M100-E	71
358E321WC-04	69	AB4M030-E	65	AC2M025-E	71	AC4M050-ED	74	AC6M100-ED	74

# Page Index

Part #	Page	Part #	Page	Part #	Page	Part #	Page	Part #	Page
AC6M125-E	72	AN4M001-E	77	AN6M003-ED	80	BA2M.75-4BRK	83	BA2M004-5DBRK	85
AC6M125-ED	75	AN4M001-EC	79	AN6M004-E	77	BA2M.75-4C	50	BA2M010-4	49
AC6M150-E	72	AN4M001-ED	80	AN6M004-EC	79	BA2M.75-4CDBRK	84	BA2M010-4BRK	83
AC6M150-ED	75	AN4M002-E	77	AN6M004-ED	80	BA2M.75-4D	52	BA2M010-4C	51
AC6M5.5-E	71	AN4M002-EC	79	AN6M010-E	77	BA2M.75-4DBRK	85	BA2M010-4CDBRK	84
AC6M5.5-EC	73	AN4M002-ED	80	AN6M010-EC	79	BA2M.75-5	48	BA2M010-4D	53
AC6M5.5-ED	74	AN4M003-E	77	AN6M010-ED	80	BA2M.75-5BRK	83	BA2M010-4DBRK	85
AC6M7.5-E	71	AN4M003-EC	79	AN6M015-E	77	BA2M.75-5C	50	BA2M010-5	49
AC6M7.5-EC	73	AN4M003-ED	80	AN6M015-EC	79	BA2M.75-5CDBRK	84	BA2M010-5BRK	83
AC6M7.5-ED	74	AN4M004-E	77	AN6M015-ED	80	BA2M.75-5D	52	BA2M010-5C	51
AN2M002-E	77	AN4M004-EC	79	AN6M020-E	77	BA2M.75-5DBRK	85	BA2M010-5CDBRK	84
AN2M002-EC	79	AN4M004-ED	80	AN6M020-ED	80	BA2M001-4	48	BA2M010-5D	53
AN2M002-ED	80	AN4M010-E	77	AN6M025-E	77	BA2M001-4BRK	83	BA2M010-5DBRK	85
AN2M003-E	77	AN4M010-EC	79	AN6M025-ED	80	BA2M001-4C	50	BA2M015-4	49
AN2M003-EC	79	AN4M010-ED	80	AN6M030-E	77	BA2M001-4CDBRK	84	BA2M015-4C	51
AN2M003-ED	80	AN4M015-E	77	AN6M030-ED	80	BA2M001-4D	52	BA2M015-4D	53
AN2M004-E	77	AN4M015-EC	79	AN6M040-E	77	BA2M001-4DBRK	85	BA2M015-5	49
AN2M004-EC	79	AN4M015-ED	80	AN6M040-ED	80	BA2M001-5	48	BA2M015-5C	51
AN2M004-ED	80	AN4M020-E	77	AN6M050-E	77	BA2M001-5BRK	83	BA2M015-5D	53
AN2M010-E	77	AN4M020-EC	79	AN6M050-ED	80	BA2M001-5C	50	BA2M020-4	49
AN2M010-EC	79	AN4M020-ED	80	AN6M060-E	77	BA2M001-5CDBRK	84	BA2M020-4C	51
AN2M010-ED	80	AN4M025-E	77	AN6M060-ED	80	BA2M001-5D	52	BA2M020-4D	53
AN2M015-E	77	AN4M025-ED	80	AN6M075-E	77	BA2M001-5DBRK	85	BA2M020-5	49
AN2M015-EC	79	AN4M030-E	77	AN6M075-ED	80	BA2M002-4	48	BA2M020-5C	51
AN2M015-ED	80	AN4M030-ED	80	AN6M1.5-E	77	BA2M002-4BRK	83	BA2M020-5D	53
AN2M020-E	77	AN4M040-E	77	AN6M1.5-EC	79	BA2M002-4C	50	BA2M025-4	49
AN2M020-EC	79	AN4M040-ED	80	AN6M1.5-ED	80	BA2M002-4CDBRK	84	BA2M025-4C	51
AN2M020-ED	80	AN4M050-E	77	AN6M100-E	77	BA2M002-4D	52	BA2M025-4D	53
AN2M025-E	77	AN4M050-ED	80	AN6M100-ED	80	BA2M002-4DBRK	85	BA2M025-4D	53
AN2M025-EC	79	AN4M060-E	77	AN6M125-E	78	BA2M002-5	48	BA2M025-5	49
AN2M025-ED	80	AN4M060-ED	80	AN6M125-ED	81	BA2M002-5BRK	83	BA2M025-5C	51
AN2M030-E	77	AN4M075-E	77	AN6M150-E	78	BA2M002-5C	50	BA2M030-4	49
AN2M030-ED	80	AN4M075-ED	80	AN6M150-ED	81	BA2M002-5CDBRK	84	BA2M030-4D	53
AN2M040-E	77	AN4M1.5-E	77	AN6M5.5-E	77	BA2M002-5D	52	BA2M030-4D	53
AN2M040-ED	80	AN4M1.5-EC	79	AN6M5.5-EC	79	BA2M002-5DBRK	85	BA2M030-5	49
AN2M050-E	77	AN4M1.5-ED	80	AN6M5.5-ED	80	BA2M003-4	48	BA2M1.5-4	48
AN2M050-ED	80	AN4M100-E	77	AN6M7.5-E	77	BA2M003-4BRK	83	BA2M1.5-4BRK	83
AN2M060-E	77	AN4M100-ED	80	AN6M7.5-EC	79	BA2M003-4C	50	BA2M1.5-4C	50
AN2M060-ED	80	AN4M125-E	78	AN6M7.5-ED	80	BA2M003-4CDBRK	84	BA2M1.5-4CDBRK	84
AN2M075-E	77	AN4M125-ED	81	BA2M.25-4	48	BA2M003-4D	52	BA2M1.5-4D	52
AN2M075-ED	80	AN4M150-E	78	BA2M.25-4C	50	BA2M003-4DBRK	85	BA2M1.5-4DBRK	85
AN2M1.5-E	77	AN4M150-ED	81	BA2M.25-4D	52	BA2M003-5	48	BA2M1.5-5	48
AN2M1.5-EC	79	AN4M200-E	78	BA2M.25-5	48	BA2M003-5BRK	83	BA2M1.5-5BRK	83
AN2M1.5-ED	80	AN4M200-ED	81	BA2M.25-5C	50	BA2M003-5C	50	BA2M1.5-5C	50
AN2M100-E	77	AN4M5.5-E	77	BA2M.25-5D	52	BA2M003-5CDBRK	84	BA2M1.5-5CDBRK	84
AN2M100-ED	80	AN4M5.5-EC	79	BA2M.33-4	48	BA2M003-5D	52	BA2M1.5-5D	52
AN2M125-E	78	AN4M5.5-ED	80	BA2M.33-4C	50	BA2M003-5DBRK	85	BA2M1.5-5DBRK	85
AN2M125-ED	81	AN4M7.5-E	77	BA2M.33-4D	52	BA2M004-4	49	BA2M5.5-4	49
AN2M150-E	78	AN4M7.5-EC	79	BA2M.33-5	48	BA2M004-4BRK	83	BA2M5.5-4BRK	83
AN2M150-ED	81	AN4M7.5-ED	80	BA2M.33-5C	50	BA2M004-4C	51	BA2M5.5-4C	51
AN2M200-E	78	AN6M001-E	77	BA2M.33-5D	52	BA2M004-4CDBRK	84	BA2M5.5-4CDBRK	84
AN2M200-ED	81	AN6M001-EC	79	BA2M.50-4	48	BA2M004-4D	53	BA2M5.5-4D	53
AN2M5.5-E	77	AN6M001-ED	80	BA2M.50-4C	50	BA2M004-4DBRK	85	BA2M5.5-4DBRK	85
AN2M5.5-EC	79	AN6M002-E	77	BA2M.50-4D	52	BA2M004-5	49	BA2M5.5-5	49
AN2M5.5-ED	80	AN6M002-EC	79	BA2M.50-5	48	BA2M004-5BRK	83	BA2M5.5-5BRK	83
AN2M7.5-E	77	AN6M002-ED	80	BA2M.50-5C	50	BA2M004-5C	51	BA2M5.5-5C	51
AN2M7.5-EC	79	AN6M003-E	77	BA2M.50-5D	52	BA2M004-5CDBRK	84	BA2M5.5-5CDBRK	84
AN2M7.5-ED	80	AN6M003-EC	79	BA2M.75-4	48	BA2M004-5D	53	BA2M5.5-5D	53

Part #	Page	Part #	Page	Part #	Page	Part #	Page	Part #	Page
BA2M5.5-5DBRK	85	BA2N005-5BRK	45	BA2N025-5C	14	BA4/6N002-9-VT2	40	BA4/8N005-5-VT2	39
BA2M7.5-4	49	BA2N005-5C	13	BA2N025-5D	16	BA4/6N003-5-CT2	43	BA4/8N005-9-CT1	41
BA2M7.5-4BRK	83	BA2N005-5CBRK	46	BA2N025-5JM	34	BA4/6N003-5-VT2	40	BA4/8N005-9-CT2	42
BA2M7.5-4C	51	BA2N005-5D	15	BA2N025-5JP	36	BA4/6N003-9-CT2	43	BA4/8N005-9-VT1	38
BA2M7.5-4CBRK	84	BA2N005-5JM	33	BA2N030-3	12	BA4/6N003-9-VT2	40	BA4/8N005-9-VT2	39
BA2M7.5-4D	53	BA2N005-5JP	35	BA2N030-3C	14	BA4/6N005-5-CT2	43	BA4/8N010-5-CT1	41
BA2M7.5-4DBRK	85	BA2N010-3	12	BA2N030-3D	16	BA4/6N005-5-VT2	40	BA4/8N010-5-CT2	42
BA2M7.5-5	49	BA2N010-3C	14	BA2N030-4	12	BA4/6N005-9-CT2	43	BA4/8N010-5-VT1	38
BA2M7.5-5BRK	83	BA2N010-3D	16	BA2N030-4C	14	BA4/6N005-9-VT2	40	BA4/8N010-5-VT2	39
BA2M7.5-5C	51	BA2N010-4	12	BA2N030-4D	16	BA4/6N010-5-CT2	43	BA4/8N010-9-CT1	41
BA2M7.5-5CBRK	84	BA2N010-4BRK	45	BA2N030-4JM	34	BA4/6N010-5-VT2	40	BA4/8N010-9-CT2	42
BA2M7.5-5D	53	BA2N010-4C	14	BA2N030-4JP	36	BA4/6N010-9-CT2	43	BA4/8N010-9-VT1	38
BA2M7.5-5DBRK	85	BA2N010-4CBRK	46	BA2N030-5	12	BA4/6N010-9-VT2	40	BA4/8N010-9-VT2	39
BA2N002-3	11	BA2N010-4D	16	BA2N030-5C	14	BA4/6N015-5-CT2	43	BA4/8N015-5-CT1	41
BA2N002-3C	13	BA2N010-4JM	33	BA2N030-5D	16	BA4/6N015-5-VT2	40	BA4/8N015-5-CT2	42
BA2N002-3D	15	BA2N010-4JP	35	BA2N030-5JM	34	BA4/6N015-9-CT2	43	BA4/8N015-5-VT1	38
BA2N002-4	11	BA2N010-5	12	BA2N030-5JP	36	BA4/6N015-9-VT2	40	BA4/8N015-5-VT2	39
BA2N002-4BRK	45	BA2N010-5BRK	45	BA2N1.5-3	11	BA4/6N020-5-CT2	43	BA4/8N015-9-CT1	41
BA2N002-4C	13	BA2N010-5C	14	BA2N1.5-3C	13	BA4/6N020-5-VT2	40	BA4/8N015-9-CT2	42
BA2N002-4CBRK	46	BA2N010-5CBRK	46	BA2N1.5-3D	15	BA4/6N020-9-CT2	43	BA4/8N015-9-VT1	38
BA2N002-4D	15	BA2N010-5D	16	BA2N1.5-4	11	BA4/6N020-9-VT2	40	BA4/8N015-9-VT2	39
BA2N002-4JM	33	BA2N010-5JM	33	BA2N1.5-4BRK	45	BA4/6N025-5-VT2	40	BA4/8N020-5-CT1	41
BA2N002-4JP	35	BA2N010-5JP	35	BA2N1.5-4C	13	BA4/6N025-9-VT2	40	BA4/8N020-5-CT2	42
BA2N002-5	11	BA2N015-3	12	BA2N1.5-4CBRK	46	BA4/6N1.5-5-CT2	43	BA4/8N020-5-VT1	38
BA2N002-5BRK	45	BA2N015-3C	14	BA2N1.5-4D	15	BA4/6N1.5-5-VT2	40	BA4/8N020-5-VT2	39
BA2N002-5C	13	BA2N015-3D	16	BA2N1.5-4JM	33	BA4/6N1.5-9-CT2	43	BA4/8N020-9-CT1	41
BA2N002-5CBRK	46	BA2N015-4	12	BA2N1.5-4JP	35	BA4/6N1.5-9-VT2	40	BA4/8N020-9-CT2	42
BA2N002-5D	15	BA2N015-4C	14	BA2N1.5-5	11	BA4/6N7.5-5-CT2	43	BA4/8N020-9-VT1	38
BA2N002-5JM	33	BA2N015-4D	16	BA2N1.5-5BRK	45	BA4/6N7.5-5-VT2	40	BA4/8N020-9-VT2	39
BA2N002-5JP	35	BA2N015-4JM	33	BA2N1.5-5C	13	BA4/6N7.5-9-CT2	43	BA4/8N025-5-CT1	41
BA2N003-3	11	BA2N015-4JP	35	BA2N1.5-5CBRK	46	BA4/6N7.5-9-VT2	40	BA4/8N025-5-VT1	38
BA2N003-3C	13	BA2N015-5	12	BA2N1.5-5D	15	BA4/8N001-5-CT1	41	BA4/8N025-5-VT2	39
BA2N003-3D	15	BA2N015-5C	14	BA2N1.5-5JM	33	BA4/8N001-5-CT2	42	BA4/8N025-9-CT1	41
BA2N003-4	11	BA2N015-5D	16	BA2N1.5-5JP	35	BA4/8N001-5-VT1	38	BA4/8N025-9-VT1	38
BA2N003-4BRK	45	BA2N015-5JM	33	BA2N7.5-3	11	BA4/8N001-5-VT2	39	BA4/8N025-9-VT2	39
BA2N003-4C	13	BA2N015-5JP	35	BA2N7.5-3C	13	BA4/8N001-9-CT1	41	BA4/8N030-5-VT1	38
BA2N003-4CBRK	46	BA2N020-3	12	BA2N7.5-3D	15	BA4/8N001-9-CT2	42	BA4/8N030-9-VT1	38
BA2N003-4D	15	BA2N020-3C	14	BA2N7.5-4	11	BA4/8N001-9-VT1	38	BA4/8N1.5-5-CT1	41
BA2N003-4JM	33	BA2N020-3D	16	BA2N7.5-4BRK	45	BA4/8N001-9-VT2	39	BA4/8N1.5-5-CT2	42
BA2N003-4JP	35	BA2N020-4	12	BA2N7.5-4C	13	BA4/8N002-5-CT1	41	BA4/8N1.5-5-VT1	38
BA2N003-5	11	BA2N020-4C	14	BA2N7.5-4CBRK	46	BA4/8N002-5-CT2	42	BA4/8N1.5-5-VT2	39
BA2N003-5BRK	45	BA2N020-4D	16	BA2N7.5-4D	15	BA4/8N002-5-CT2	42	BA4/8N1.5-9-CT1	41
BA2N003-5C	13	BA2N020-4JM	33	BA2N7.5-4JM	33	BA4/8N002-5-CT2	42	BA4/8N1.5-9-CT2	42
BA2N003-5CBRK	46	BA2N020-4JP	35	BA2N7.5-4JP	35	BA4/8N002-5-VT1	38	BA4/8N1.5-9-VT1	38
BA2N003-5D	15	BA2N020-5	12	BA2N7.5-5	11	BA4/8N002-5-VT2	39	BA4/8N1.5-9-VT2	39
BA2N003-5JM	33	BA2N020-5C	14	BA2N7.5-5BRK	45	BA4/8N002-9-CT1	41	BA4/8N7.5-5-CT1	41
BA2N003-5JP	35	BA2N020-5D	16	BA2N7.5-5C	13	BA4/8N002-9-CT1	41	BA4/8N7.5-5-CT2	42
BA2N005-3	11	BA2N020-5JM	33	BA2N7.5-5CBRK	46	BA4/8N002-9-CT2	42	BA4/8N7.5-5-VT1	38
BA2N005-3C	13	BA2N020-5JP	35	BA2N7.5-5D	15	BA4/8N002-9-CT2	42	BA4/8N7.5-5-VT2	39
BA2N005-3D	15	BA2N025-3	12	BA2N7.5-5JM	33	BA4/8N002-9-VT1	38	BA4/8N7.5-9-CT1	41
BA2N005-4	11	BA2N025-3C	14	BA2N7.5-5JP	35	BA4/8N002-9-VT2	39	BA4/8N7.5-9-CT2	42
BA2N005-4BRK	45	BA2N025-3D	16	BA4/6N001-5-CT2	43	BA4/8N003-5-VT1	38	BA4/8N7.5-9-VT1	38
BA2N005-4C	13	BA2N025-4	12	BA4/6N001-5-VT2	40	BA4/8N003-5-VT2	39	BA4/8N7.5-9-VT2	39
BA2N005-4CBRK	46	BA2N025-4C	14	BA4/6N001-9-CT2	43	BA4/8N003-9-VT1	38	BA4M.25-4	48
BA2N005-4D	15	BA2N025-4D	16	BA4/6N001-9-VT2	40	BA4/8N003-9-VT2	39	BA4M.25-4C	50
BA2N005-4JM	33	BA2N025-4JM	34	BA4/6N002-5-CT2	43	BA4/8N005-5-CT1	41	BA4M.25-4D	52
BA2N005-4JP	35	BA2N025-4JP	36	BA4/6N002-5-VT2	40	BA4/8N005-5-CT2	42	BA4M.25-5	48
BA2N005-5	11	BA2N025-5	12	BA4/6N002-9-CT2	43	BA4/8N005-5-VT1	38	BA4M.25-5C	50



# Page Index

Part #	Page	Part #	Page	Part #	Page	Part #	Page	Part #	Page
BA4M.25-5D	52	BA4M003-4CBRK	84	BA4M1.5-4DBRK	85	BA4N002-5	11	BA4N015-3	12
BA4M.33-4	48	BA4M003-4D	52	BA4M1.5-5	48	BA4N002-5BRK	45	BA4N015-3C	14
BA4M.33-4C	50	BA4M003-4DBRK	85	BA4M1.5-5BRK	83	BA4N002-5C	13	BA4N015-3D	16
BA4M.33-4D	52	BA4M003-5	48	BA4M1.5-5C	50	BA4N002-5CBRK	46	BA4N015-4	12
BA4M.33-5	48	BA4M003-5BRK	83	BA4M1.5-5CBRK	84	BA4N002-5D	15	BA4N015-4C	14
BA4M.33-5C	50	BA4M003-5C	50	BA4M1.5-5D	52	BA4N002-5JM	33	BA4N015-4D	16
BA4M.33-5D	52	BA4M003-5CBRK	84	BA4M1.5-5DBRK	85	BA4N002-5JP	35	BA4N015-4JM	33
BA4M.50-4	48	BA4M003-5D	52	BA4M5.5-4	49	BA4N003-3	11	BA4N015-4JP	35
BA4M.50-4BRK	83	BA4M003-5DBRK	85	BA4M5.5-4BRK	83	BA4N003-3C	13	BA4N015-5	12
BA4M.50-4C	50	BA4M004-4	49	BA4M5.5-4C	51	BA4N003-3D	15	BA4N015-5C	14
BA4M.50-4CBRK	84	BA4M004-4BRK	83	BA4M5.5-4CBRK	84	BA4N003-4	11	BA4N015-5D	16
BA4M.50-4D	52	BA4M004-4C	51	BA4M5.5-4D	53	BA4N003-4BRK	45	BA4N015-5JM	33
BA4M.50-4DBRK	85	BA4M004-4CBRK	84	BA4M5.5-4DBRK	85	BA4N003-4C	13	BA4N015-5JP	35
BA4M.50-5	48	BA4M004-4D	53	BA4M5.5-5	49	BA4N003-4CBRK	46	BA4N020-3	12
BA4M.50-5BRK	83	BA4M004-4DBRK	85	BA4M5.5-5BRK	83	BA4N003-4D	15	BA4N020-3C	14
BA4M.50-5C	50	BA4M004-5	49	BA4M5.5-5C	51	BA4N003-4JM	33	BA4N020-3D	16
BA4M.50-5CBRK	84	BA4M004-5BRK	83	BA4M5.5-5CBRK	84	BA4N003-4JP	35	BA4N020-4	12
BA4M.50-5D	52	BA4M004-5C	51	BA4M5.5-5D	53	BA4N003-5	11	BA4N020-4C	14
BA4M.50-5DBRK	85	BA4M004-5CBRK	84	BA4M5.5-5DBRK	85	BA4N003-5BRK	45	BA4N020-4D	16
BA4M.75-4	48	BA4M004-5D	53	BA4M7.5-4	49	BA4N003-5C	13	BA4N020-4JM	33
BA4M.75-4BRK	83	BA4M004-5DBRK	85	BA4M7.5-4BRK	83	BA4N003-5CBRK	46	BA4N020-4JP	35
BA4M.75-4C	50	BA4M010-4	49	BA4M7.5-4C	51	BA4N003-5D	15	BA4N020-5	12
BA4M.75-4CBRK	84	BA4M010-4BRK	83	BA4M7.5-4CBRK	84	BA4N003-5JM	33	BA4N020-5C	14
BA4M.75-4D	52	BA4M010-4C	51	BA4M7.5-4D	53	BA4N003-5JP	35	BA4N020-5D	16
BA4M.75-4DBRK	85	BA4M010-4CBRK	84	BA4M7.5-4DBRK	85	BA4N005-3	11	BA4N020-5JM	33
BA4M.75-5	48	BA4M010-4D	53	BA4M7.5-5	49	BA4N005-3C	13	BA4N020-5JP	35
BA4M.75-5BRK	83	BA4M010-4DBRK	85	BA4M7.5-5BRK	83	BA4N005-3D	15	BA4N025-3	12
BA4M.75-5C	50	BA4M010-5	49	BA4M7.5-5C	51	BA4N005-4	11	BA4N025-3C	14
BA4M.75-5CBRK	84	BA4M010-5BRK	83	BA4M7.5-5CBRK	84	BA4N005-4BRK	45	BA4N025-3D	16
BA4M.75-5D	52	BA4M010-5C	51	BA4M7.5-5D	53	BA4N005-4C	13	BA4N025-4	12
BA4M.75-5DBRK	85	BA4M010-5CBRK	84	BA4M7.5-5DBRK	85	BA4N005-4CBRK	46	BA4N025-4C	14
BA4M001-4	48	BA4M010-5D	53	BA4N001-3	11	BA4N005-4D	15	BA4N025-4D	16
BA4M001-4BRK	83	BA4M010-5DBRK	85	BA4N001-3C	13	BA4N005-4JM	33	BA4N025-4JM	34
BA4M001-4C	50	BA4M015-4	49	BA4N001-3D	15	BA4N005-4JP	35	BA4N025-4JP	36
BA4M001-4CBRK	84	BA4M015-4C	51	BA4N001-4	11	BA4N005-5	11	BA4N025-5	12
BA4M001-4D	52	BA4M015-4D	53	BA4N001-4BRK	45	BA4N005-5BRK	45	BA4N025-5C	14
BA4M001-4DBRK	85	BA4M015-5	49	BA4N001-4C	13	BA4N005-5C	13	BA4N025-5D	16
BA4M001-5	48	BA4M015-5C	51	BA4N001-4CBRK	46	BA4N005-5CBRK	46	BA4N025-5JM	34
BA4M001-5BRK	83	BA4M015-5D	53	BA4N001-4D	15	BA4N005-5D	15	BA4N025-5JP	36
BA4M001-5C	50	BA4M020-4	49	BA4N001-4JM	33	BA4N005-5JM	33	BA4N030-3	12
BA4M001-5CBRK	84	BA4M020-4C	51	BA4N001-4JP	35	BA4N005-5JP	35	BA4N030-3C	14
BA4M001-5D	52	BA4M020-4D	53	BA4N001-5	11	BA4N010-3	12	BA4N030-3D	16
BA4M001-5DBRK	85	BA4M020-5	49	BA4N001-5BRK	45	BA4N010-3C	14	BA4N030-4	12
BA4M002-4	48	BA4M020-5C	51	BA4N001-5C	13	BA4N010-3D	16	BA4N030-4C	14
BA4M002-4BRK	83	BA4M020-5D	53	BA4N001-5CBRK	46	BA4N010-4	12	BA4N030-4D	16
BA4M002-4C	50	BA4M025-4	49	BA4N001-5D	15	BA4N010-4BRK	45	BA4N030-4JM	34
BA4M002-4CBRK	84	BA4M025-4D	53	BA4N001-5JM	33	BA4N010-4C	14	BA4N030-4JP	36
BA4M002-4D	52	BA4M025-4D	53	BA4N001-5JP	35	BA4N010-4CBRK	46	BA4N030-5	12
BA4M002-4DBRK	85	BA4M025-5	49	BA4N002-3	11	BA4N010-4D	16	BA4N030-5C	14
BA4M002-5	48	BA4M030-4	49	BA4N002-3C	13	BA4N010-4JM	33	BA4N030-5D	16
BA4M002-5BRK	83	BA4M030-4D	53	BA4N002-3D	15	BA4N010-4JP	35	BA4N030-5JM	34
BA4M002-5C	50	BA4M030-4D	53	BA4N002-4	11	BA4N010-5	12	BA4N030-5JP	36
BA4M002-5CBRK	84	BA4M030-5	49	BA4N002-4BRK	45	BA4N010-5BRK	45	BA4N1.5-3	11
BA4M002-5D	52	BA4M1.5-4	48	BA4N002-4C	13	BA4N010-5C	14	BA4N1.5-3C	13
BA4M002-5DBRK	85	BA4M1.5-4BRK	83	BA4N002-4CBRK	46	BA4N010-5CBRK	46	BA4N1.5-3D	15
BA4M003-4	48	BA4M1.5-4C	50	BA4N002-4D	15	BA4N010-5D	16	BA4N1.5-4	11
BA4M003-4BRK	83	BA4M1.5-4CBRK	84	BA4N002-4JM	33	BA4N010-5JM	33	BA4N1.5-4BRK	45
BA4M003-4C	50	BA4M1.5-4D	52	BA4N002-4JP	35	BA4N010-5JP	35	BA4N1.5-4C	13

Part #	Page	Part #	Page	Part #	Page	Part #	Page	Part #	Page
BA4N1.5-4CBRK	46	BA6M.75-5	48	BA6N020-5	12	BC2M003-5C	58	BC2M1.5-4D	60
BA4N1.5-4D	15	BA6M.75-5BRK	83	BA6N020-5C	14	BC2M003-5D	60	BC2M1.5-5	55
BA4N1.5-4JM	33	BA6M.75-5C	50	BA6N020-5D	16	BC2M004-4	55	BC2M1.5-5C	58
BA4N1.5-4JP	35	BA6M.75-5CBRK	84	BA6N7.5-3	11	BC2M004-4C	58	BC2M1.5-5D	60
BA4N1.5-5	11	BA6M.75-5D	52	BA6N7.5-3C	13	BC2M004-4D	60	BC2M100-4	57
BA4N1.5-5BRK	45	BA6M.75-5DBRK	85	BA6N7.5-3D	15	BC2M004-5	55	BC2M100-4D	62
BA4N1.5-5C	13	BA6M010-4	49	BA6N7.5-3JM	33	BC2M004-5C	58	BC2M100-4S	57
BA4N1.5-5CBRK	46	BA6M010-4C	51	BA6N7.5-3JP	35	BC2M004-5D	60	BC2M100-4SD	62
BA4N1.5-5D	15	BA6M010-4D	53	BA6N7.5-4	11	BC2M010-4	55	BC2M100-5	57
BA4N1.5-5JM	33	BA6M010-5	49	BA6N7.5-4C	13	BC2M010-4C	58	BC2M100-5D	62
BA4N1.5-5JP	35	BA6M010-5C	51	BA6N7.5-4D	15	BC2M010-4D	60	BC2M100-5S	57
BA4N7.5-3	11	BA6M010-5D	53	BA6N7.5-4JM	33	BC2M010-5	55	BC2M100-5SD	62
BA4N7.5-3C	13	BA6M015-4	49	BA6N7.5-4JP	35	BC2M010-5C	58	BC2M125-5	57
BA4N7.5-3D	15	BA6M015-4C	51	BA6N7.5-5	11	BC2M010-5D	60	BC2M125-5D	62
BA4N7.5-4	11	BA6M015-4D	53	BA6N7.5-5C	13	BC2M015-4	55	BC2M125-5S	57
BA4N7.5-4BRK	45	BA6M015-5	49	BA6N7.5-5D	15	BC2M015-4C	58	BC2M125-5SD	62
BA4N7.5-4C	13	BA6M015-5C	51	BA6N7.5-5JM	33	BC2M015-4D	60	BC2M125-9	57
BA4N7.5-4CBRK	46	BA6M015-5D	53	BA6N7.5-5JP	35	BC2M015-5	55	BC2M125-9D	62
BA4N7.5-4D	15	BA6M020-4	49	BA8M.25-4	48	BC2M015-5C	58	BC2M125-9S	57
BA4N7.5-4JM	33	BA6M020-4D	53	BA8M.25-4C	50	BC2M015-5D	60	BC2M125-9SD	62
BA4N7.5-4JP	35	BA6M020-5	49	BA8M.25-4D	52	BC2M020-4	56	BC2M150-5	57
BA4N7.5-5	11	BA6M020-5D	53	BA8M.25-5	48	BC2M020-4C	59	BC2M150-5D	62
BA4N7.5-5BRK	45	BA6M7.5-4	49	BA8M.25-5C	50	BC2M020-4D	61	BC2M150-5S	57
BA4N7.5-5C	13	BA6M7.5-4C	51	BA8M.25-5D	52	BC2M020-5	56	BC2M150-5SD	62
BA4N7.5-5CBRK	46	BA6M7.5-4D	53	BA8M.33-4	48	BC2M020-5C	59	BC2M150-9	57
BA4N7.5-5D	15	BA6M7.5-5	49	BA8M.33-4C	50	BC2M020-5D	61	BC2M150-9D	62
BA4N7.5-5JM	33	BA6M7.5-5C	51	BA8M.33-4D	52	BC2M025-4	56	BC2M150-9S	57
BA4N7.5-5JP	35	BA6M7.5-5D	53	BA8M.33-5	48	BC2M025-4C	59	BC2M150-9SD	62
BA6M.25-4	48	BA6N.75-4	11	BA8M.33-5C	50	BC2M025-4D	61	BC2M200-5	57
BA6M.25-4C	50	BA6N.75-4C	13	BA8M.33-5D	52	BC2M025-5	56	BC2M200-5D	62
BA6M.25-4D	52	BA6N.75-4D	15	BA8M.50-4	48	BC2M025-5C	59	BC2M200-9	57
BA6M.25-5	48	BA6N.75-5	11	BA8M.50-4C	50	BC2M025-5D	61	BC2M200-9D	62
BA6M.25-5C	50	BA6N.75-5C	13	BA8M.50-4D	52	BC2M030-4	56	BC2M5.5-4	55
BA6M.25-5D	52	BA6N.75-5D	15	BA8M.50-5	48	BC2M030-4D	61	BC2M5.5-4C	58
BA6M.33-4	48	BA6N010-3	12	BA8M.50-5C	50	BC2M030-5	56	BC2M5.5-4D	60
BA6M.33-4C	50	BA6N010-3C	14	BA8M.50-5D	52	BC2M030-5D	61	BC2M5.5-5	55
BA6M.33-4D	52	BA6N010-3D	16	BA8M.75-4	48	BC2M040-4	56	BC2M5.5-5C	58
BA6M.33-5	48	BA6N010-4	12	BA8M.75-4C	50	BC2M040-4D	61	BC2M5.5-5D	60
BA6M.33-5C	50	BA6N010-4C	14	BA8M.75-4D	52	BC2M040-5	56	BC2M7.5-4	55
BA6M.33-5D	52	BA6N010-4D	16	BA8M.75-5	48	BC2M040-5D	61	BC2M7.5-4C	58
BA6M.50-4	48	BA6N010-5	12	BA8M.75-5C	50	BC2M050-4	56	BC2M7.5-4D	60
BA6M.50-4BRK	83	BA6N010-5C	14	BA8M.75-5D	52	BC2M050-4D	61	BC2M7.5-5	55
BA6M.50-4C	50	BA6N010-5D	16	BC2M001-4	55	BC2M050-5	56	BC2M7.5-5C	58
BA6M.50-4CBRK	84	BA6N015-3	12	BC2M001-4C	58	BC2M050-5D	61	BC2M7.5-5D	60
BA6M.50-4D	52	BA6N015-3C	14	BC2M001-4D	60	BC2M060-4	56	BC2N002-4	18
BA6M.50-4DBRK	85	BA6N015-3D	16	BC2M001-5	55	BC2M060-4D	61	BC2N002-4D	24
BA6M.50-5	48	BA6N015-4	12	BC2M001-5C	58	BC2M060-5	56	BC2N002-5	18
BA6M.50-5BRK	83	BA6N015-4C	14	BC2M001-5D	60	BC2M060-5D	61	BC2N002-5D	24
BA6M.50-5C	50	BA6N015-4D	16	BC2M002-4	55	BC2M075-4	56	BC2N003-4	18
BA6M.50-5CBRK	84	BA6N015-5	12	BC2M002-4C	58	BC2M075-4D	61	BC2N003-4D	24
BA6M.50-5D	52	BA6N015-5C	14	BC2M002-4D	60	BC2M075-4S	56	BC2N003-5	18
BA6M.50-5DBRK	85	BA6N015-5D	16	BC2M002-5	55	BC2M075-4SD	61	BC2N003-5D	24
BA6M.75-4	48	BA6N020-3	12	BC2M002-5C	58	BC2M075-5	56	BC2N005-4	18
BA6M.75-4BRK	83	BA6N020-3C	14	BC2M002-5D	60	BC2M075-5D	61	BC2N005-4C	21
BA6M.75-4C	50	BA6N020-3D	16	BC2M003-4	55	BC2M075-5S	56	BC2N005-4D	24
BA6M.75-4CBRK	84	BA6N020-4	12	BC2M003-4C	58	BC2M075-5SD	61	BC2N005-5	18
BA6M.75-4D	52	BA6N020-4C	14	BC2M003-4D	60	BC2M1.5-4	55	BC2N005-5C	21
BA6M.75-4DBRK	85	BA6N020-4D	16	BC2M003-5	55	BC2M1.5-4C	58	BC2N005-5D	24

# Page Index

Part #	Page	Part #	Page	Part #	Page	Part #	Page	Part #	Page
BC2N010-4	18	BC2N060-5JM	34	BC4/6N040-9-CT2	43	BC4/8N075-5-VT1	38	BC4M015-4	55
BC2N010-4C	21	BC2N060-5JP	36	BC4/6N040-9-VT2	40	BC4/8N075-5-VT2	39	BC4M015-4C	58
BC2N010-4D	24	BC2N075-4	19	BC4/6N050-5-CT2	43	BC4/8N075-9-CT1	41	BC4M015-4D	60
BC2N010-5	18	BC2N075-4C	22	BC4/6N050-5-VT2	40	BC4/8N075-9-CT2	42	BC4M015-5	55
BC2N010-5C	21	BC2N075-4D	25	BC4/6N050-9-CT2	43	BC4/8N075-9-VT1	38	BC4M015-5C	58
BC2N010-5D	24	BC2N075-4JM	34	BC4/6N050-9-VT2	40	BC4/8N075-9-VT2	39	BC4M015-5D	60
BC2N015-4	18	BC2N075-4JP	36	BC4/6N060-5-CT2	43	BC4/8N100-5-CT1	41	BC4M020-4	56
BC2N015-4C	21	BC2N075-5	19	BC4/6N060-5-VT2	40	BC4/8N100-5-CT2	42	BC4M020-4C	59
BC2N015-4D	24	BC2N075-5C	22	BC4/6N060-9-CT2	43	BC4/8N100-5-VT1	38	BC4M020-4D	61
BC2N015-5	18	BC2N075-5D	25	BC4/6N060-9-VT2	40	BC4/8N100-5-VT2	39	BC4M020-5	56
BC2N015-5C	21	BC2N075-5JM	34	BC4/6N075-5-CT2	43	BC4/8N100-9-CT1	41	BC4M020-5C	59
BC2N015-5D	24	BC2N075-5JP	36	BC4/6N075-5-VT2	40	BC4/8N100-9-CT2	42	BC4M020-5D	61
BC2N020-4	18	BC2N1.5-4	18	BC4/6N075-9-CT2	43	BC4/8N100-9-VT1	38	BC4M025-4	56
BC2N020-4C	21	BC2N1.5-4D	24	BC4/6N075-9-VT2	40	BC4/8N100-9-VT2	39	BC4M025-4D	61
BC2N020-4D	24	BC2N1.5-5	18	BC4/6N100-5-CT2	43	BC4/8N125-5-CT1	41	BC4M025-5	56
BC2N020-5	18	BC2N1.5-5D	24	BC4/6N100-5-VT2	40	BC4/8N125-5-CT2	42	BC4M025-5D	61
BC2N020-5C	21	BC2N100-4	19	BC4/6N100-9-CT2	43	BC4/8N125-5-VT1	38	BC4M030-4	56
BC2N020-5D	24	BC2N100-4C	22	BC4/6N100-9-VT2	40	BC4/8N125-5-VT2	39	BC4M030-4D	61
BC2N025-4	19	BC2N100-4D	25	BC4/6N125-5-CT2	43	BC4/8N125-9-CT1	41	BC4M030-5	56
BC2N025-4C	22	BC2N100-5	19	BC4/6N125-5-VT2	40	BC4/8N125-9-CT2	42	BC4M030-5D	61
BC2N025-4D	25	BC2N100-5C	22	BC4/6N125-9-CT2	43	BC4/8N125-9-VT1	38	BC4M040-4	56
BC2N025-5	19	BC2N100-5D	25	BC4/6N125-9-VT2	40	BC4/8N125-9-VT2	39	BC4M040-4D	61
BC2N025-5C	22	BC2N125-5	19	BC4/6N150-5-VT2	40	BC4/8N150-5-CT1	41	BC4M040-5	56
BC2N025-5D	25	BC2N125-5C	22	BC4/6N150-9-VT2	40	BC4/8N150-5-VT1	38	BC4M040-5D	61
BC2N030-4	19	BC2N125-5D	25	BC4/8N025-5-CT2	42	BC4/8N150-5-VT2	39	BC4M050-4	56
BC2N030-4C	22	BC2N125-9	19	BC4/8N025-9-CT2	42	BC4/8N150-9-CT1	41	BC4M050-4D	61
BC2N030-4D	25	BC2N125-9C	22	BC4/8N030-5-CT1	41	BC4/8N150-9-VT1	38	BC4M050-5	56
BC2N030-5	19	BC2N125-9D	25	BC4/8N030-5-CT2	42	BC4/8N150-9-VT2	39	BC4M050-5D	61
BC2N030-5C	22	BC2N150-5	20	BC4/8N030-5-VT2	39	BC4M001-4	55	BC4M060-4	56
BC2N030-5D	25	BC2N150-5	21	BC4/8N030-9-CT1	41	BC4M001-4C	58	BC4M060-4D	61
BC2N040-4	19	BC2N150-5C	23	BC4/8N030-9-CT2	42	BC4M001-4D	60	BC4M060-5	56
BC2N040-4C	22	BC2N150-5D	26	BC4/8N030-9-VT2	39	BC4M001-5	55	BC4M060-5D	61
BC2N040-4D	25	BC2N150-9	20	BC4/8N040-5-CT1	41	BC4M001-5C	58	BC4M075-4	56
BC2N040-4JM	34	BC2N150-9	21	BC4/8N040-5-CT2	42	BC4M001-5D	60	BC4M075-4D	61
BC2N040-4JP	36	BC2N150-9C	23	BC4/8N040-5-VT1	38	BC4M002-4	55	BC4M075-4S	56
BC2N040-5	19	BC2N150-9D	26	BC4/8N040-5-VT2	39	BC4M002-4C	58	BC4M075-4SD	61
BC2N040-5C	22	BC2N200-5	20	BC4/8N040-9-CT1	41	BC4M002-4D	60	BC4M075-5	56
BC2N040-5D	25	BC2N200-5	21	BC4/8N040-9-CT2	42	BC4M002-5	55	BC4M075-5D	61
BC2N040-5JM	34	BC2N200-5C	23	BC4/8N040-9-VT1	38	BC4M002-5C	58	BC4M075-5S	56
BC2N040-5JP	36	BC2N200-5D	26	BC4/8N040-9-VT2	39	BC4M002-5D	60	BC4M075-5SD	61
BC2N050-4	19	BC2N200-9	20	BC4/8N050-5-CT1	41	BC4M003-4	55	BC4M1.5-4	55
BC2N050-4C	22	BC2N200-9	21	BC4/8N050-5-CT2	42	BC4M003-4C	58	BC4M1.5-4C	58
BC2N050-4D	25	BC2N200-9C	23	BC4/8N050-5-VT1	38	BC4M003-4D	60	BC4M1.5-4D	60
BC2N050-4JM	34	BC2N200-9D	26	BC4/8N050-5-VT2	39	BC4M003-5	55	BC4M1.5-5	55
BC2N050-4JP	36	BC2N7.5-4	18	BC4/8N050-9-CT1	41	BC4M003-5C	58	BC4M1.5-5C	58
BC2N050-5	19	BC2N7.5-4C	21	BC4/8N050-9-CT2	42	BC4M003-5D	60	BC4M1.5-5D	60
BC2N050-5C	22	BC2N7.5-4D	24	BC4/8N050-9-VT1	38	BC4M004-4	55	BC4M100-4	57
BC2N050-5D	25	BC2N7.5-5	18	BC4/8N050-9-VT2	39	BC4M004-4C	58	BC4M100-4D	62
BC2N050-5JM	34	BC2N7.5-5C	21	BC4/8N060-5-CT1	41	BC4M004-4D	60	BC4M100-4S	57
BC2N050-5JP	36	BC2N7.5-5D	24	BC4/8N060-5-CT2	42	BC4M004-5	55	BC4M100-4SD	62
BC2N060-4	19	BC4/6N025-5-CT2	43	BC4/8N060-5-VT1	38	BC4M004-5C	58	BC4M100-5	57
BC2N060-4C	22	BC4/6N025-9-CT2	43	BC4/8N060-5-VT2	39	BC4M004-5D	60	BC4M100-5D	62
BC2N060-4D	25	BC4/6N030-5-CT2	43	BC4/8N060-9-CT1	41	BC4M010-4	55	BC4M100-5S	57
BC2N060-4JM	34	BC4/6N030-5-VT2	40	BC4/8N060-9-CT2	42	BC4M010-4C	58	BC4M100-5SD	62
BC2N060-4JP	36	BC4/6N030-9-CT2	43	BC4/8N060-9-VT1	38	BC4M010-4D	60	BC4M125-5	57
BC2N060-5	19	BC4/6N030-9-VT2	40	BC4/8N060-9-VT2	39	BC4M010-5	55	BC4M125-5D	62
BC2N060-5C	22	BC4/6N040-5-CT2	43	BC4/8N075-5-CT1	41	BC4M010-5C	58	BC4M125-5S	57
BC2N060-5D	25	BC4/6N040-5-VT2	40	BC4/8N075-5-CT2	42	BC4M010-5D	60	BC4M125-5SD	62

Part #	Page	Part #	Page	Part #	Page	Part #	Page	Part #	Page
BC4M125-9	57	BC4N020-4	18	BC4N1.5-4	18	BC6210-53-5	90	BC6M100-5S	57
BC4M125-9D	62	BC4N020-4C	21	BC4N1.5-4D	24	BC6315-53-1	90	BC6M100-5SD	62
BC4M125-9S	57	BC4N020-4D	24	BC4N1.5-5	18	BC6315-53-2	90	BC6M125-5	57
BC4M125-9SD	62	BC4N020-5	18	BC4N1.5-5D	24	BC6315-53-5	90	BC6M125-5D	62
BC4M150-5	57	BC4N020-5C	21	BC4N100-4	19	BC6M010-4	55	BC6M125-5S	57
BC4M150-5D	62	BC4N020-5D	24	BC4N100-4-55	19	BC6M010-4C	58	BC6M125-5SD	62
BC4M150-5S	57	BC4N025-4	19	BC4N100-4C	22	BC6M010-4D	60	BC6M125-9	57
BC4M150-5SD	62	BC4N025-4C	22	BC4N100-4D	25	BC6M010-5	55	BC6M125-9D	62
BC4M150-9	57	BC4N025-4D	25	BC4N100-5	19	BC6M010-5C	58	BC6M125-9S	57
BC4M150-9D	62	BC4N025-5	19	BC4N100-5-55	19	BC6M010-5D	60	BC6M125-9SD	62
BC4M150-9S	57	BC4N025-5C	22	BC4N100-5C	22	BC6M015-4	55	BC6M150-5	57
BC4M150-9SD	62	BC4N025-5D	25	BC4N100-5D	25	BC6M015-4C	58	BC6M150-5D	62
BC4M200-5	57	BC4N030-4	19	BC4N125-5	19	BC6M015-4D	60	BC6M150-5S	57
BC4M200-5D	62	BC4N030-4C	22	BC4N125-5-55	19	BC6M015-5	55	BC6M150-5SD	62
BC4M200-9	57	BC4N030-4D	25	BC4N125-5C	22	BC6M015-5C	58	BC6M150-9	57
BC4M200-9D	62	BC4N030-5	19	BC4N125-5D	25	BC6M015-5D	60	BC6M150-9D	62
BC4M5.5-4	55	BC4N030-5C	22	BC4N125-9	19	BC6M020-4	56	BC6M150-9S	57
BC4M5.5-4C	58	BC4N030-5D	25	BC4N125-9-55	19	BC6M020-4D	61	BC6M150-9SD	62
BC4M5.5-4D	60	BC4N040-4	19	BC4N125-9C	22	BC6M020-5	56	BC6M7.5-4	55
BC4M5.5-5	55	BC4N040-4C	22	BC4N125-9D	25	BC6M020-5D	61	BC6M7.5-4C	58
BC4M5.5-5C	58	BC4N040-4D	25	BC4N150-5	20	BC6M025-4	56	BC6M7.5-4D	60
BC4M5.5-5D	60	BC4N040-4JM	34	BC4N150-5	21	BC6M025-4D	61	BC6M7.5-5	55
BC4M7.5-4	55	BC4N040-4JP	36	BC4N150-5-55	20	BC6M025-5	56	BC6M7.5-5C	58
BC4M7.5-4C	58	BC4N040-5	19	BC4N150-5-55	21	BC6M025-5D	61	BC6M7.5-5D	60
BC4M7.5-4D	60	BC4N040-5C	22	BC4N150-5C	23	BC6M030-4	56	BC6N010-4	18
BC4M7.5-5	55	BC4N040-5D	25	BC4N150-5D	26	BC6M030-4D	61	BC6N010-4C	21
BC4M7.5-5C	58	BC4N040-5JM	34	BC4N150-9	20	BC6M030-5	56	BC6N010-4D	24
BC4M7.5-5D	60	BC4N040-5JP	36	BC4N150-9	21	BC6M030-5D	61	BC6N010-5	18
BC4N001-4	18	BC4N050-4	19	BC4N150-9-55	20	BC6M040-4	56	BC6N010-5C	21
BC4N001-4D	24	BC4N050-4C	22	BC4N150-9-55	21	BC6M040-4D	61	BC6N010-5D	24
BC4N001-5	18	BC4N050-4D	25	BC4N150-9C	23	BC6M040-5	56	BC6N015-4	18
BC4N001-5D	24	BC4N050-4JM	34	BC4N150-9D	26	BC6M040-5D	61	BC6N015-4C	21
BC4N002-4	18	BC4N050-4JP	36	BC4N200-5	20	BC6M050-4	56	BC6N015-4D	24
BC4N002-4D	24	BC4N050-5	19	BC4N200-5	21	BC6M050-4D	61	BC6N015-5	18
BC4N002-5	18	BC4N050-5C	22	BC4N200-5-55	20	BC6M050-5	56	BC6N015-5C	21
BC4N002-5D	24	BC4N050-5D	25	BC4N200-5-55	21	BC6M050-5D	61	BC6N015-5D	24
BC4N003-4	18	BC4N050-5JM	34	BC4N200-5C	23	BC6M060-4	56	BC6N020-4	18
BC4N003-4D	24	BC4N050-5JP	36	BC4N200-5D	26	BC6M060-4D	61	BC6N020-4C	21
BC4N003-5	18	BC4N060-4	19	BC4N200-9	20	BC6M060-4S	56	BC6N020-4D	24
BC4N003-5D	24	BC4N060-4C	22	BC4N200-9	21	BC6M060-4SD	61	BC6N020-5	18
BC4N005-4	18	BC4N060-4D	25	BC4N200-9-55	20	BC6M060-5	56	BC6N020-5C	21
BC4N005-4C	21	BC4N060-4JM	34	BC4N200-9-55	21	BC6M060-5D	61	BC6N020-5D	24
BC4N005-4D	24	BC4N060-4JP	36	BC4N200-9C	23	BC6M060-5S	56	BC6N025-4	19
BC4N005-5	18	BC4N060-5	19	BC4N200-9D	26	BC6M060-5SD	61	BC6N025-4C	22
BC4N005-5C	21	BC4N060-5C	22	BC4N7.5-4	18	BC6M075-4	56	BC6N025-4D	25
BC4N005-5D	24	BC4N060-5D	25	BC4N7.5-4C	21	BC6M075-4D	61	BC6N025-5	19
BC4N010-4	18	BC4N060-5JM	34	BC4N7.5-4D	24	BC6M075-4S	56	BC6N025-5C	22
BC4N010-4C	21	BC4N060-5JP	36	BC4N7.5-5	18	BC6M075-4SD	61	BC6N025-5D	25
BC4N010-4D	24	BC4N075-4	19	BC4N7.5-5C	21	BC6M075-5	56	BC6N030-4	19
BC4N010-5	18	BC4N075-4C	22	BC4N7.5-5D	24	BC6M075-5D	61	BC6N030-4C	22
BC4N010-5C	21	BC4N075-4D	25	BC6103-53-1	90	BC6M075-5S	56	BC6N030-4D	25
BC4N010-5D	24	BC4N075-4JM	34	BC6103-53-2	90	BC6M075-5SD	61	BC6N030-5	19
BC4N015-4	18	BC4N075-4JP	36	BC6103-53-5	90	BC6M100-4	57	BC6N030-5C	22
BC4N015-4C	21	BC4N075-5	19	BC6106-53-1	90	BC6M100-4D	62	BC6N030-5D	25
BC4N015-4D	24	BC4N075-5C	22	BC6106-53-2	90	BC6M100-4S	57	BC6N040-4	19
BC4N015-5	18	BC4N075-5D	25	BC6106-53-5	90	BC6M100-4SD	62	BC6N040-4C	22
BC4N015-5C	21	BC4N075-5JM	34	BC6210-53-1	90	BC6M100-5	57	BC6N040-4D	25
BC4N015-5D	24	BC4N075-5JP	36	BC6210-53-2	90	BC6M100-5D	62	BC6N040-5	19

# Page Index

Part #	Page	Part #	Page	Part #	Page	Part #	Page	Part #	Page
BC6N040-5C	22	BC7110-CE-2	91	BF4N.50-5	8	BF8N.33-5	8	PA6N002-4	11
BC6N040-5D	25	BC7110-CE-5	91	BF4N.50-5BRK	45	BF8N.33-5C	9	PA6N002-4C	13
BC6N050-4	19	BC7115-CE-2	91	BF4N.50-5C	9	BF8N.50-2	8	PA6N002-4D	15
BC6N050-4C	22	BC7115-CE-5	91	BF4N.50-5CBRK	46	BF8N.50-2C	9	PA6N002-4JM	33
BC6N050-4D	25	BC7225-CE-2	91	BF4N.75-2	8	BF8N.50-5	8	PA6N002-4JP	35
BC6N050-5	19	BC7225-CE-5	91	BF4N.75-2BRK	45	BF8N.50-5C	9	PA6N002-5	11
BC6N050-5C	22	BC7235-CE-2	91	BF4N.75-2C	9	PA4N002-3JM	33	PA6N002-5C	13
BC6N050-5D	25	BC7235-CE-5	91	BF4N.75-2CBRK	46	PA4N002-3JP	35	PA6N002-5D	15
BC6N060-4	19	BC7250-CE-2	91	BF4N.75-5	8	PA4N005-3JM	33	PA6N002-5JM	33
BC6N060-4C	22	BC7250-CE-5	91	BF4N.75-5BRK	45	PA4N005-3JP	35	PA6N002-5JP	35
BC6N060-4D	25	BC74105-CE-2	91	BF4N.75-5C	9	PA6M001-2	48	PA6N003-3	11
BC6N060-5	19	BC74105-CE-5	91	BF4N.75-5CBRK	46	PA6M001-2C	50	PA6N003-3C	13
BC6N060-5C	22	BC7475-CE-2	91	BF4N001-2	8	PA6M001-2D	52	PA6N003-3D	15
BC6N060-5D	25	BC7475-CE-5	91	BF4N001-2BRK	45	PA6M001-5	48	PA6N003-3JM	33
BC6N075-4	19	BF2N.33-2	8	BF4N001-2C	9	PA6M001-5C	50	PA6N003-3JP	35
BC6N075-4C	22	BF2N.33-2C	9	BF4N001-2CBRK	46	PA6M001-5D	52	PA6N003-4	11
BC6N075-4D	25	BF2N.33-5	8	BF4N001-5	8	PA6M002-2	48	PA6N003-4C	13
BC6N075-5	19	BF2N.33-5C	9	BF4N001-5BRK	45	PA6M002-2C	50	PA6N003-4D	15
BC6N075-5C	22	BF2N.50-2	8	BF4N001-5C	9	PA6M002-2D	52	PA6N003-4JM	33
BC6N075-5D	25	BF2N.50-2C	9	BF4N001-5CBRK	46	PA6M002-5	48	PA6N003-4JP	35
BC6N100-4	19	BF2N.50-5	8	BF4N1.5-2	8	PA6M002-5C	50	PA6N003-5	11
BC6N100-4-55	19	BF2N.50-5C	9	BF4N1.5-2BRK	45	PA6M002-5D	52	PA6N003-5C	13
BC6N100-4C	22	BF2N.75-2	8	BF4N1.5-2C	9	PA6M003-2	48	PA6N003-5D	15
BC6N100-4D	25	BF2N.75-2BRK	45	BF4N1.5-2CBRK	46	PA6M003-2C	50	PA6N003-5JM	33
BC6N100-5	19	BF2N.75-2C	9	BF4N1.5-5	8	PA6M003-2D	52	PA6N003-5JP	35
BC6N100-5-55	19	BF2N.75-2CBRK	46	BF4N1.5-5BRK	45	PA6M003-5	48	PA6N005-3	11
BC6N100-5C	22	BF2N.75-5	8	BF4N1.5-5C	9	PA6M003-5C	50	PA6N005-3C	13
BC6N100-5D	25	BF2N.75-5BRK	45	BF4N1.5-5CBRK	46	PA6M003-5D	52	PA6N005-3D	15
BC6N125-5	20	BF2N.75-5C	9	BF6N.25-2	8	PA6M004-2	49	PA6N005-4	11
BC6N125-5	21	BF2N.75-5CBRK	46	BF6N.25-2C	9	PA6M004-2C	51	PA6N005-4C	13
BC6N125-5-55	20	BF2N001-2	8	BF6N.25-5	8	PA6M004-2D	53	PA6N005-4D	15
BC6N125-5-55	21	BF2N001-2BRK	45	BF6N.25-5C	9	PA6M004-5	49	PA6N005-4JM	33
BC6N125-5C	22	BF2N001-2C	9	BF6N.33-2	8	PA6M004-5C	51	PA6N005-4JP	35
BC6N125-5D	25	BF2N001-2CBRK	46	BF6N.33-2C	9	PA6M004-5D	53	PA6N005-5	11
BC6N125-9	20	BF2N001-5	8	BF6N.33-5	8	PA6M5.5-2	49	PA6N005-5C	13
BC6N125-9	21	BF2N001-5BRK	45	BF6N.33-5C	9	PA6M5.5-2C	51	PA6N005-5D	15
BC6N125-9-55	20	BF2N001-5C	9	BF6N.50-2	8	PA6M5.5-2D	53	PA6N005-5JM	33
BC6N125-9-55	21	BF2N001-5CBRK	46	BF6N.50-2BRK	45	PA6M5.5-5	49	PA6N005-5JP	35
BC6N125-9C	22	BF2N1.5-2	8	BF6N.50-2C	9	PA6M5.5-5C	51	PA6N1.5-3	11
BC6N125-9D	25	BF2N1.5-2BRK	45	BF6N.50-2CBRK	46	PA6M5.5-5D	53	PA6N1.5-3C	13
BC6N150-5	20	BF2N1.5-2C	9	BF6N.50-5	8	PA6N001-3	11	PA6N1.5-3D	15
BC6N150-5	21	BF2N1.5-2CBRK	46	BF6N.50-5BRK	45	PA6N001-3C	13	PA6N1.5-3JM	33
BC6N150-5-55	20	BF2N1.5-5	8	BF6N.50-5C	9	PA6N001-3D	15	PA6N1.5-3JP	35
BC6N150-5-55	21	BF2N1.5-5BRK	45	BF6N.50-5CBRK	46	PA6N001-3JM	33	PA6N1.5-4	11
BC6N150-5C	23	BF2N1.5-5C	9	BF6N.75-2	8	PA6N001-3JP	35	PA6N1.5-4C	13
BC6N150-5D	26	BF2N1.5-5CBRK	46	BF6N.75-2BRK	45	PA6N001-4	11	PA6N1.5-4D	15
BC6N150-9	20	BF4N.25-2	8	BF6N.75-2C	9	PA6N001-4C	13	PA6N1.5-4JM	33
BC6N150-9	21	BF4N.25-2C	9	BF6N.75-2CBRK	46	PA6N001-4D	15	PA6N1.5-4JP	35
BC6N150-9-55	20	BF4N.25-5	8	BF6N.75-5	8	PA6N001-4JM	33	PA6N1.5-5	11
BC6N150-9-55	21	BF4N.25-5C	9	BF6N.75-5BRK	45	PA6N001-4JP	35	PA6N1.5-5C	13
BC6N150-9C	23	BF4N.33-2	8	BF6N.75-5C	9	PA6N001-5	11	PA6N1.5-5D	15
BC6N150-9D	26	BF4N.33-2C	9	BF6N.75-5CBRK	46	PA6N001-5C	13	PA6N1.5-5JM	33
BC6N7.5-4	18	BF4N.33-5	8	BF8N.25-2	8	PA6N001-5D	15	PA6N1.5-5JP	35
BC6N7.5-4C	21	BF4N.33-5C	9	BF8N.25-2C	9	PA6N001-5JM	33	PC6M001-4	55
BC6N7.5-4D	24	BF4N.50-2	8	BF8N.25-5	8	PA6N001-5JP	35	PC6M001-4C	58
BC6N7.5-5	18	BF4N.50-2BRK	45	BF8N.25-5C	9	PA6N002-3	11	PC6M001-4D	60
BC6N7.5-5C	21	BF4N.50-2C	9	BF8N.33-2	8	PA6N002-3C	13	PC6M001-5	55
BC6N7.5-5D	24	BF4N.50-2CBRK	46	BF8N.33-2C	9	PA6N002-3D	15	PC6M001-5C	58

Part #	Page	Part #	Page	Part #	Page	Part #	Page	Part #	Page
PC6M001-5D	60	PM10.4044G.4G2B	88	PX2N1.5-2C	30	PX4N040-5C	31	PX6N020-2C	30
PC6M002-4	55	PM10.4108V.4G2B	88	PX2N1.5-5	28	PX4N050-2	29	PX6N020-5	28
PC6M002-4C	58	PM10.4109C.4G2B	88	PX2N1.5-5C	30	PX4N050-2C	31	PX6N020-5C	30
PC6M002-4D	60	PM12.5045G.4G2B	88	PX2N100-2	29	PX4N050-5	29	PX6N025-2	29
PC6M002-5	55	PM12.5092C.4G2B	88	PX2N100-2C	31	PX4N050-5C	31	PX6N025-2C	31
PC6M002-5C	58	PM12.5096V.4G2B	88	PX2N100-5	29	PX4N060-2	29	PX6N025-5	29
PC6M002-5D	60	PM15.6060C.4O2B	88	PX2N100-5C	31	PX4N060-2C	31	PX6N025-5C	31
PC6M003-4	55	PM15.6072G.4D2B	88	PX2N125-5	29	PX4N060-5	29	PX6N030-2	29
PC6M003-4C	58	PM15.6087V.4G2B	88	PX2N125-5C	31	PX4N060-5C	31	PX6N030-2C	31
PC6M003-4D	60	PX2N002-2	28	PX2N125-9	29	PX4N075-2	29	PX6N030-5	29
PC6M003-5	55	PX2N002-2C	30	PX2N125-9C	31	PX4N075-2C	31	PX6N030-5C	31
PC6M003-5C	58	PX2N002-5	28	PX2N150-5	29	PX4N075-5	29	PX6N040-2	29
PC6M003-5D	60	PX2N002-5C	30	PX2N150-5C	31	PX4N075-5C	31	PX6N040-2C	31
PC6M004-4	55	PX2N003-2	28	PX2N150-9	29	PX4N1.5-2	28	PX6N040-5	29
PC6M004-4C	58	PX2N003-2C	30	PX2N150-9C	31	PX4N1.5-2C	30	PX6N040-5C	31
PC6M004-4D	60	PX2N003-5	28	PX2N7.5-2	28	PX4N1.5-5	28	PX6N050-2	29
PC6M004-5	55	PX2N003-5C	30	PX2N7.5-2C	30	PX4N1.5-5C	30	PX6N050-2C	31
PC6M004-5C	58	PX2N005-2	28	PX2N7.5-5	28	PX4N100-2	29	PX6N050-5	29
PC6M004-5D	60	PX2N005-2C	30	PX2N7.5-5C	30	PX4N100-2C	31	PX6N050-5C	31
PC6M5.5-4	55	PX2N005-5	28	PX4N001-2	28	PX4N100-5	29	PX6N060-2	29
PC6M5.5-4C	58	PX2N005-5C	30	PX4N001-2C	30	PX4N100-5C	31	PX6N060-2C	31
PC6M5.5-4D	60	PX2N010-2	28	PX4N001-5	28	PX4N125-5	29	PX6N060-5	29
PC6M5.5-5	55	PX2N010-2C	30	PX4N001-5C	30	PX4N125-5C	31	PX6N060-5C	31
PC6M5.5-5C	58	PX2N010-5	28	PX4N002-2	28	PX4N125-9	29	PX6N075-2	29
PC6M5.5-5D	60	PX2N010-5C	30	PX4N002-2C	30	PX4N125-9C	31	PX6N075-2C	31
PC6N001-4	18	PX2N015-2	28	PX4N002-5	28	PX4N150-5	29	PX6N075-5	29
PC6N001-4D	24	PX2N015-2C	30	PX4N002-5C	30	PX4N150-5C	31	PX6N075-5C	31
PC6N001-5	18	PX2N015-5	28	PX4N003-2	28	PX4N150-9	29	PX6N1.5-2	28
PC6N001-5D	24	PX2N015-5C	30	PX4N003-2C	30	PX4N150-9C	31	PX6N1.5-2C	30
PC6N002-4	18	PX2N020-2	28	PX4N003-5	28	PX4N7.5-2	28	PX6N1.5-5	28
PC6N002-4D	24	PX2N020-2C	30	PX4N003-5C	30	PX4N7.5-2C	30	PX6N1.5-5C	30
PC6N002-5	18	PX2N020-5	28	PX4N005-2	28	PX4N7.5-5	28	PX6N100-2	29
PC6N002-5D	24	PX2N020-5C	30	PX4N005-2C	30	PX4N7.5-5C	30	PX6N100-2C	31
PC6N003-4	18	PX2N025-2	29	PX4N005-5	28	PX6N001-2	28	PX6N100-5	29
PC6N003-4C	21	PX2N025-2C	31	PX4N005-5C	30	PX6N001-2C	30	PX6N100-5C	31
PC6N003-4D	24	PX2N025-5	29	PX4N010-2	28	PX6N001-5	28	PX6N125-5	29
PC6N003-5	18	PX2N025-5C	31	PX4N010-2C	30	PX6N001-5C	30	PX6N125-5C	31
PC6N003-5C	21	PX2N030-2	29	PX4N010-5	28	PX6N002-2	28	PX6N125-9	29
PC6N003-5D	24	PX2N030-2C	31	PX4N010-5C	30	PX6N002-2C	30	PX6N125-9C	31
PC6N005-4	18	PX2N030-5	29	PX4N015-2	28	PX6N002-5	28	PX6N7.5-2	28
PC6N005-4C	21	PX2N030-5C	31	PX4N015-2C	30	PX6N002-5C	30	PX6N7.5-2C	30
PC6N005-4D	24	PX2N040-2	29	PX4N015-5	28	PX6N003-2	28	PX6N7.5-5	28
PC6N005-5	18	PX2N040-2C	31	PX4N015-5C	30	PX6N003-2C	30	PX6N7.5-5C	30
PC6N005-5C	21	PX2N040-5	29	PX4N020-2	28	PX6N003-5	28	SS2N.33-1C	5
PC6N005-5D	24	PX2N040-5C	31	PX4N020-2C	30	PX6N003-5C	30	SS2N.50-1C	5
PC6N1.5-4	18	PX2N050-2	29	PX4N020-5	28	PX6N005-2	28	SS2N.75-1C	5
PC6N1.5-4D	24	PX2N050-2C	31	PX4N020-5C	30	PX6N005-2C	30	SS2N001-1C	5
PC6N1.5-5	18	PX2N050-5	29	PX4N025-2	29	PX6N005-5	28	SS2N002-1C	5
PC6N1.5-5D	24	PX2N050-5C	31	PX4N025-2C	31	PX6N005-5C	30	SS2N1.5-1C	5
PM04.1012B.4F2B	88	PX2N060-2	29	PX4N025-5	29	PX6N010-2	28	SS4N.33-1C	5
PM04.1046J.4F2B	88	PX2N060-2C	31	PX4N025-5C	31	PX6N010-2C	30	SS4N.50-1C	5
PM04.1062S.4F2B	88	PX2N060-5	29	PX4N030-2	29	PX6N010-5	28	SS4N.75-1C	5
PM06.2027Q.4G2B	88	PX2N060-5C	31	PX4N030-2C	31	PX6N010-5C	30	SS4N001-1C	5
PM06.2103C.4G2B	88	PX2N075-2	29	PX4N030-5	29	PX6N015-2	28	SS4N002-1C	5
PM06.2108M.4G2B	88	PX2N075-2C	31	PX4N030-5C	31	PX6N015-2C	30	SS4N1.5-1C	5
PM08.3044G.4G2B	88	PX2N075-5	29	PX4N040-2	29	PX6N015-5	28		
PM08.3077C.4G2B	88	PX2N075-5C	31	PX4N040-2C	31	PX6N015-5C	30		
PM08.3083V.4G2B	88	PX2N1.5-2	28	PX4N040-5	29	PX6N020-2	28		