

PRICING

DIMENSIONS

NEMA FRAMES

Premium Eff. Cast Iron - Foot Mount 1-2
 Premium Eff. Cast Iron - Flange 3-4
 Premium Eff. Aluminum - Foot Mount 5
 Premium Eff. Aluminum - Flange 6
 EPact Cast Iron - Foot Mount..... 7-8
 EPact Cast Iron - C Face 9-10
 EPact Aluminum - Foot Mount..... 11
 EPact Aluminum - Flange..... 12
 Aluminum Frame 56 - Foot Mount..... 23
 Aluminum Frame 56 - C Face..... 24
 W - Range Aluminum - Foot Mount..... 25
 W - Range Aluminum - Flange 26
 Explosion Proof - Foot Mount29-30
 Explosion Proof - Flange31-32
 Brake Motors 41
 Two Speeds 43
 Mounting Accessories..... 44

METRIC FRAMES

Premium Eff. Cast Iron - Foot Mount13-14
 Premium Eff. Cast Iron - Flange15-16
 Premium Eff. Aluminum - Foot Mount17
 Premium Eff. Aluminum - Flange18
 EPact Cast Iron - Foot Mount..... 19-20
 EPact Cast Iron - Flange..... 21-22
 W - Range Aluminum - Foot Mount27
 W - Range Aluminum - Flange28
 ATEX EExd Exp Proof - Foot Mount33-34
 ATEX EExd Exp Proof - Flange.....35-36
 ATEX EEx nA Zone 2 - Foot Mount37-38
 ATEX EEx nA Zone 2 - Flange39-40
 Brake Motors42

MISCELLANEOUS

Connection Diagrams70-71
 Shipping Weights72
 Metric Mounting Configurations73
 Definition of IP Codes.....73

Prices Shown in this publication are list:
 Subject to change without notice.
 Subject to our Standard Terms and Conditions of Sale

Dimensions should not be used for installation purposes.
 Certified drawings can be supplied at time of order receipt.

NEMA FRAMES

Premium Eff. Cast Iron - Foot Mount 45
 Premium Eff. Cast Iron - C Face 46
 Premium Eff. Aluminum - Foot Mount 45
 Premium Eff. Aluminum - Flange 46
 EPact Cast Iron - Foot Mount..... 45
 EPact Cast Iron - C Face 46
 EPact Aluminum - Foot Mount..... 45
 EPact Aluminum - Flange.....46
 Aluminum Frame 56 - Foot Mount..... 49-50
 Aluminum Frame 56 - C Face..... 49-50
 W - Range Aluminum - Foot Mount..... 49-50
 W - Range Aluminum - Flange 49-50
 Brake Motors 49-50
 Explosion Proof - Foot Mount53-54
 Explosion Proof - Flange53-54

METRIC FRAMES

Premium Eff. Cast Iron - Foot Mount ... 47-48
 Premium Eff. Cast Iron - Flange 47-48
 Premium Eff. Aluminum - Foot Mount . 47-48
 Premium Eff. Aluminum - Flange 47-48
 EPact Cast Iron - Foot Mount..... 47-48
 EPact Cast Iron - C Face 47-48
 W - Range Aluminum - Foot Mount..... 51-52
 W - Range Aluminum - Flange51-52
 Brake Motors 51-52
 ATEX EExd Exp Proof - Foot Mount 55-56
 ATEX EExd Exp Proof - Flange..... 55-56
 ATEX EEx nA Zone 2 - Foot Mount57-58
 ATEX EEx nA Zone 2 - Flange57-58

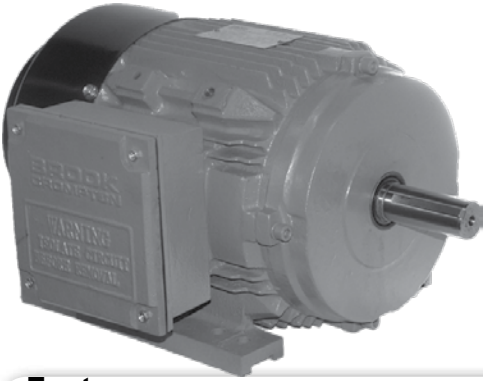
PERFORMANCE

NEMA FRAMES

Premium Efficiency..... 59-60
 EPact 63
 Aluminum Frame 56..... 65
 W - Range 65
 Brake Motors 65
 Explosion Proof67

METRIC FRAMES

Premium Efficiency..... 61-62
 EPact 64
 W - Range66
 Brake Motors 66
 ATEX EExd Exp Proof 68
 ATEX EEx nA Zone 269



NEMA Frame

Foot Mounted

3PH, 60 Hz

Cast Iron Construction

1- 200HP

Performance - Page 59-60
Dimensions - Page 45



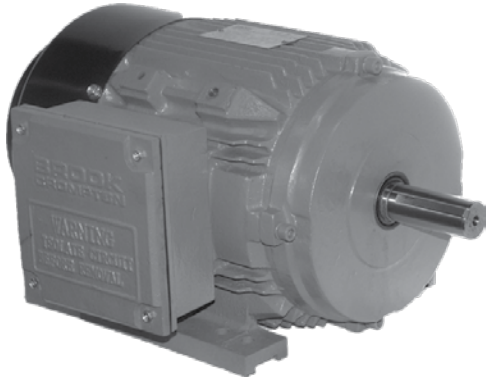
Features:

- NEMA MG1-PART 31 Inverter Duty 15:1 Constant Torque
- Severe Duty
- Service Factor 1.25 up to 405T
- IP55 degree of protection
- VPI Impregnation
- Internal Tropicproof
- F1 to F2, F3 convertible up to 445T
- NEMA Design B
- Class F insulation
- Dual Rated 60/50Hz
- Wye - Delta Start 213 Frame and above
- Double lip seals on both ends
- Split conduit box is 90° rotatable
- Regreasable bearings 254T frame and larger
- Roller bearings on 4 & 6 pole 444T and larger
- Polyurea Grease
- 1045 Carbon steel shafts 143-326T, 4140 364T & above
- C Faces available
- Warranty: 2 years

HP	RPM	FRAME	208-230/460V	575V	LIST
1	1800	143T	PC4N001-2	PC4N001-5	\$402
	1200	145T	PC6N001-2	PC6N001-5	453
1.5	3600	143T	PC2N1.5-2	PC2N1.5-5	424
	1800	145T	PC4N1.5-2	PC4N1.5-5	438
1.5	1200	182T	PC6N1.5-2	PC6N1.5-5	611
	3600	145T	PC2N002-2	PC2N002-5	470
2	1800	145T	PC4N002-2	PC4N002-5	469
	1200	184T	PC6N002-2	PC6N002-5	653
3	3600	182T	PC2N003-2	PC2N003-5	621
	1800	182T	PC4N003-2	PC4N003-5	627
3	1200	213T	PC6N003-2	PC6N003-5	860
	3600	184T	PC2N005-2	PC2N005-5	681
5	1800	184T	PC4N005-2	PC4N005-5	634
	1200	215T	PC6N005-2	PC6N005-5	1121
7.5	3600	213T	PC2N7.5-2	PC2N7.5-5	875
	1800	213T	PC4N7.5-2	PC4N7.5-5	916
7.5	1200	254T	PC6N7.5-2	PC6N7.5-5	1469
	3600	215T	PC2N010-2	PC2N010-5	1098
10	1800	215T	PC4N010-2	PC4N010-5	1115
	1200	256T	PC6N010-2	PC6N010-5	1828
15	3600	254T	PC2N015-2	PC2N015-5	1614
	1800	254T	PC4N015-2	PC4N015-5	1626
15	1200	284T	PC6N015-2	PC6N015-5	2268
	3600	256T	PC2N020-2	PC2N020-5	1862
20	1800	256T	PC4N020-2	PC4N020-5	1880
	1200	286T	PC6N020-2	PC6N020-5	2781
25	3600	284TS	PC2N025-2	PC2N025-5	2217
	1800	284T	PC4N025-2	PC4N025-5	2245
25	1200	324T	PC6N025-2	PC6N025-5	3541
	3600	286TS	PC2N030-2	PC2N030-5	2653
30	1800	286T	PC4N030-2	PC4N030-5	2709
	1200	326T	PC6N030-2	PC6N030-5	4097
40	3600	324TS	PC2N040-2	PC2N040-5	3467
	1800	324T	PC4N040-2	PC4N040-5	3496
40	1200	364T	PC6N040-2	PC6N040-5	5284



Discount Category **55**



NEMA Frame
Foot Mounted
3PH, 60 Hz
Cast Iron Construction
1- 200HP

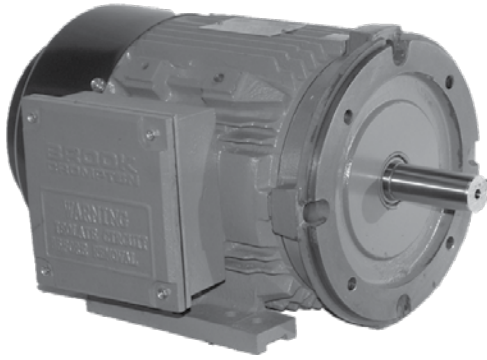
Performance - Page 59-60
 Dimensions - Page 45

HP	RPM	FRAME	208-230/460V	575V	LIST
50	3600	326TS	PC2N050-2	PC2N050-5	\$3978
	1800	326T	PC4N050-2	PC4N050-5	4118
	1200	365T	PC6N050-2	PC6N050-5	6107
60	3600	364TS	PC2N060-2	PC2N060-5	5547
	1800	364T	PC4N060-2	PC4N060-5	5431
	1200	404T	PC6N060-2	PC6N060-5	7509
75	3600	365TS	PC2N075-2	PC2N075-5	6381
	1800	365T	PC4N075-2	PC4N075-5	7023
	1200	405T	PC6N075-2	PC6N075-5	8402
100	3600	405TS	PC2N100-2	PC2N100-5	8637
	1800	405T	PC4N100-2	PC4N100-5	8391
	1200	444T	PC6N100-2	PC6N100-5	11308
125	3600	444TS	PC2N125-9	PC2N125-5	11772
	1800	444T	PC4N125-9	PC4N125-5	12242
	1200	445T	PC6N125-9	PC6N125-5	13402
150	3600	445TS	PC2N150-9	PC2N150-5	13001
	1800	445T	PC4N150-9	PC4N150-5	14288
	1200	447T	PC6N150-9	PC6N150-5	19134
200	3600	447TS	PC2N200-9	PC2N200-5	17729
	1800	447T	PC4N200-9	PC4N200-5	18997

NOTE: Models above 200HP Call For Quote
 Models ending in -9 are 460V



Discount Category **55**



NEMA Frame

Flange Mounted

3PH, 60 Hz

Cast Iron Construction

1 - 200HP

Performance - Page 59-60
Dimensions - Page 46



Features:

- NEMA MG1-PART 31 Inverter Duty
 - 15:1 Constant Torque
- Severe Duty
- Service Factor 1.25 up to 405T
- VPI Impregnation
- Internal Tropicproof
- IP55 degree of protection
- F1 to F2, F3 convertible up to 445T
- NEMA Design B
- Class F Insulation
- Dual Rated 60/50Hz
- Wye - Delta Start 213 Frame and above
- Double lip seals on both ends
- Split conduit box is 90° rotatable
- Regreasable bearings 254T frame and larger
- Roller Bearing 4 & 6 Pole 444T frame and larger
- Polyurea Grease
- 1045 Carbon steel shafts 143-326T, 4140 364T & above
- Warranty: 2 Years

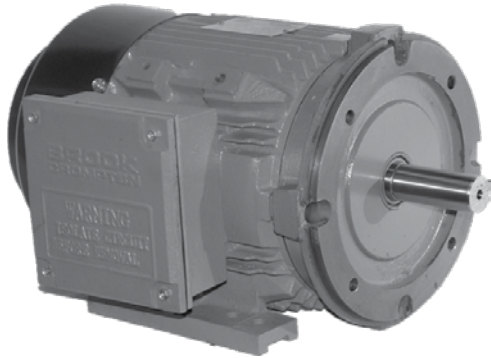
HP	RPM	FRAME	C FACE		D FLANGE		LIST
			208-230/460V	575V	208-230/460V	575V	
1	1800	143TC	PC4N001-2C	PC4N001-5C	PC4N001-2D	PC4N001-5D	\$447
	1200	145TC	PC6N001-2C	PC6N001-5C	PC6N001-2D	PC6N001-5D	498
1.5	3600	143TC	PC2N1.5-2C	PC2N1.5-5C	PC2N1.5-2D	PC2N1.5-5D	469
	1800	145TC	PC4N1.5-2C	PC4N1.5-5C	PC4N1.5-2D	PC4N1.5-5D	483
	1200	182TC	PC6N1.5-2C	PC6N1.5-5C	PC6N1.5-2D	PC6N1.5-5D	676
2	3600	145TC	PC2N002-2C	PC2N002-5C	PC2N002-2D	PC2N002-5D	515
	1800	145TC	PC4N002-2C	PC4N002-5C	PC4N002-2D	PC4N002-5D	514
	1200	184TC	PC6N002-2C	PC6N002-5C	PC6N002-2D	PC6N002-5D	718
3	3600	182TC	PC2N003-2C	PC2N003-5C	PC2N003-2D	PC2N003-5D	686
	1800	182TC	PC4N003-2C	PC4N003-5C	PC4N003-2D	PC4N003-5D	692
	1200	213TC	PC6N003-2C	PC6N003-5C	PC6N003-2D	PC6N003-5D	960
5	3600	184TC	PC2N005-2C	PC2N005-5C	PC2N005-2D	PC2N005-5D	746
	1800	184TC	PC4N005-2C	PC4N005-5C	PC4N005-2D	PC4N005-5D	699
	1200	215TC	PC6N005-2C	PC6N005-5C	PC6N005-2D	PC6N005-5D	1221
7.5	3600	213TC	PC2N7.5-2C	PC2N7.5-5C	PC2N7.5-2D	PC2N7.5-5D	975
	1800	213TC	PC4N7.5-2C	PC4N7.5-5C	PC4N7.5-2D	PC4N7.5-5D	1016
	1200	254TC	PC6N7.5-2C	PC6N7.5-5C	PC6N7.5-2D	PC6N7.5-5D	1609
10	3600	215TC	PC2N010-2C	PC2N010-5C	PC2N010-2D	PC2N010-5D	1198
	1800	215TC	PC4N010-2C	PC4N010-5C	PC4N010-2D	PC4N010-5D	1215
	1200	256TC	PC6N010-2C	PC6N010-5C	PC6N010-2D	PC6N010-5D	1968
15	3600	254TC	PC2N015-2C	PC2N015-5C	PC2N015-2D	PC2N015-5D	1754
	1800	254TC	PC4N015-2C	PC4N015-5C	PC4N015-2D	PC4N015-5D	1766
	1200	284TC	PC6N015-2C	PC6N015-5C	PC6N015-2D	PC6N015-5D	2488
20	3600	256TC	PC2N020-2C	PC2N020-5C	PC2N020-2D	PC2N020-5D	2002
	1800	256TC	PC4N020-2C	PC4N020-5C	PC4N020-2D	PC4N020-5D	2020
	1200	286TC	PC6N020-2C	PC6N020-5C	PC6N020-2D	PC6N020-5D	3001
25	3600	284TSC	PC2N025-2C	PC2N025-5C	PC2N025-2D	PC2N025-5D	2437
	1800	284TC	PC4N025-2C	PC4N025-5C	PC4N025-2D	PC4N025-5D	2465
	1200	324TC	PC6N025-2C	PC6N025-5C	PC6N025-2D	PC6N025-5D	3801
30	3600	286TSC	PC2N030-2C	PC2N030-5C	PC2N030-2D	PC2N030-5D	2873
	1800	286TC	PC4N030-2C	PC4N030-5C	PC4N030-2D	PC4N030-5D	2929
	1200	326TC	PC6N030-2C	PC6N030-5C	PC6N030-2D	PC6N030-5D	4357
40	3600	324TSC	PC2N040-2C	PC2N040-5C	PC2N040-2D	PC2N040-5D	3727
	1800	324TC	PC4N040-2C	PC4N040-5C	PC4N040-2D	PC4N040-5D	3756
	1200	364TC	PC6N040-2C	PC6N040-5C	PC6N040-2D	PC6N040-5D	5674



Discount Category **55**

PE III SERIES PREMIUM EFFICIENCY
Cast Iron Construction - TEFC

BROOK CROMPTON



NEMA Frame
Flange Mounted
3PH, 60 Hz
Cast Iron Construction
1 - 200HP

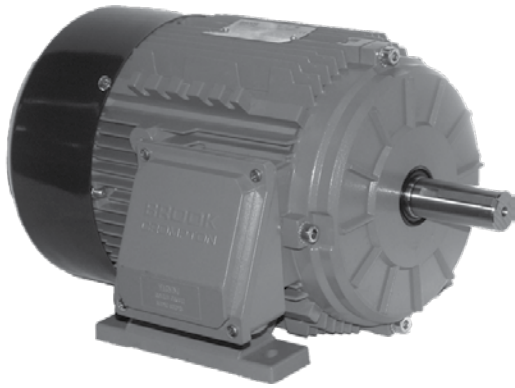
Performance - Page 59-60
 Dimensions - Page 46

HP	RPM	FRAME	C FACE		D FLANGE		LIST
			208-230/460V	575V	208-230/460V	575V	
50	3600	326TSC	PC2N050-2C	PC2N050-5C	PC2N050-2D	PC2N050-5D	\$4238
	1800	326TC	PC4N050-2C	PC4N050-5C	PC4N050-2D	PC4N050-5D	4378
	1200	365TC	PC6N050-2C	PC6N050-5C	PC6N050-2D	PC6N050-5D	6497
60	3600	364TSC	PC2N060-2C	PC2N060-5C	PC2N060-2D	PC2N060-5D	5937
	1800	364TC	PC4N060-2C	PC4N060-5C	PC4N060-2D	PC4N060-5D	5821
	1200	404TC	PC6N060-2C	PC6N060-5C	PC6N060-2D	PC6N060-5D	8129
75	3600	365TSC	PC2N075-2C	PC2N075-5C	PC2N075-2D	PC2N075-5D	6771
	1800	365TC	PC4N075-2C	PC4N075-5C	PC4N075-2D	PC4N075-5D	7413
	1200	405TC	PC6N075-2C	PC6N075-5C	PC6N075-2D	PC6N075-5D	9022
100	3600	405TSC	PC2N100-2C	PC2N100-5C	PC2N100-2D	PC2N100-5D	9257
	1800	405TC	PC4N100-2C	PC4N100-5C	PC4N100-2D	PC4N100-5D	9011
	1200	444TC	PC6N100-2C	PC6N100-5C	PC6N100-2D	PC6N100-5D	12448
125	3600	444TSC	PC2N125-9C	PC2N125-5C	PC2N125-9D	PC2N125-5D	12912
	1800	444TC	PC4N125-9C	PC4N125-5C	PC4N125-9D	PC4N125-5D	13382
	1200	445TC	PC6N125-9C	PC6N125-5C	PC6N125-9D	PC6N125-5D	14182
150	3600	445TSC	PC2N150-9C	PC2N150-5C	PC2N150-9D	PC2N150-5D	14141
	1800	445TC	PC4N150-9C	PC4N150-5C	PC4N150-9D	PC4N150-5D	15428
	1200	447TC	PC6N150-9C	PC6N150-5C	PC6N150-9D	PC6N150-5D	20274
200	3600	447TSC	PC2N200-9C	PC2N200-5C	PC2N200-9D	PC2N200-5D	18869
	1800	447TC	PC4N200-9C	PC4N200-5C	PC4N200-9D	PC4N200-5D	20137

NOTE: Models above 200HP Call For Quote
 Models ending in -9C or -9D are 460V



Discount Category **55**



NEMA Frame

Foot Mounted

3PH, 60 Hz

Aluminum Construction

1 - 10HP

Performance - Page 59-60
Dimensions - Page 45



Features:

- NEMA MG1-PART 31 Inverter Duty
15:1 Constant Torque
- Service Factor 1.25
- IP55 degree of protection
- VPI Impregnation
- Internal Tropicproof
- F1 to F2, F3 convertible
- NEMA Design B
- Class F insulation
- Dual Rated 60/50Hz
- Wye - Delta Start 213 Frame and above
- Double lip seals on both ends
- Split conduit box is 90° rotatable
- 1045 Carbon steel shafts
- Warranty: 2 Years

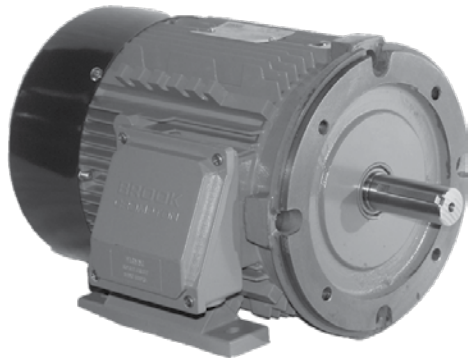
HP	RPM	FRAME	208/416V	230/460V	575V	LIST
1	1800	143T	PA4N001-3	PA4N001-4	PA4N001-5	\$507
	1200	145T	PA6N001-3	PA6N001-4	PA6N001-5	644
1.5	3600	143T	PA2N1.5-3	PA2N1.5-4	PA2N1.5-5	607
	1800	145T	PA4N1.5-3	PA4N1.5-4	PA4N1.5-5	563
	1200	182T	PA6N1.5-3	PA6N1.5-4	PA6N1.5-5	702
	3600	145T	PA2N002-3	PA2N002-4	PA2N002-5	585
2	1800	145T	PA4N002-3	PA4N002-4	PA4N002-5	595
	1200	184T	PA6N002-3	PA6N002-4	PA6N002-5	771
	3600	182T	PA2N003-3	PA2N003-4	PA2N003-5	749
3	1800	182T	PA4N003-3	PA4N003-4	PA4N003-5	736
	1200	213T	PA6N003-3	PA6N003-4	PA6N003-5	1028
	3600	184T	PA2N005-3	PA2N005-4	PA2N005-5	861
5	1800	184T	PA4N005-3	PA4N005-4	PA4N005-5	886
	1200	215T	PA6N005-3	PA6N005-4	PA6N005-5	1410
	3600	213T	PA2N7.5-3	PA2N7.5-4	PA2N7.5-5	1178
7.5	1800	213T	PA4N7.5-3	PA4N7.5-4	PA4N7.5-5	1263
	3600	215T	PA2N010-3	PA2N010-4	PA2N010-5	1350
10	3600	215T	PA4N010-3	PA4N010-4	PA4N010-5	1441



Discount Category **16**

PE III SERIES PREMIUM EFFICIENCY
Aluminum Construction - TEFC

BROOK CROMPTON



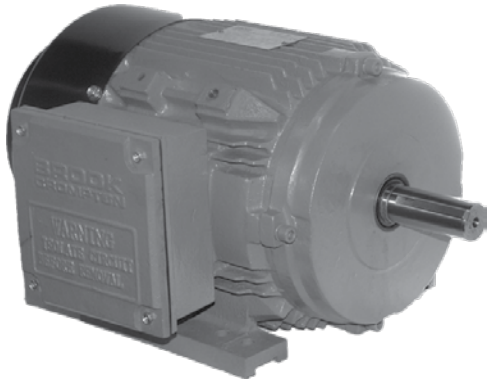
NEMA Frame
Flange Mounted
3PH, 60 Hz
Aluminum Construction
1 - 10HP

Performance - Page 59-60
 Dimensions - Page 46

HP	RPM	FRAME	C FACE			D FLANGE			LIST
			208/416V	230/460V	575V	208/416V	230/460V	575V	
1	1800	143T	PA4N001-3C	PA4N001-4C	PA4N001-5C	PA4N001-3D	PA4N001-4D	PA4N001-5D	\$552
	1200	145T	PA6N001-3C	PA6N001-4C	PA6N001-5C	PA6N001-3D	PA6N001-4D	PA6N001-5D	689
1.5	3600	143T	PA2N1.5-3C	PA2N1.5-4C	PA2N1.5-5C	PA2N1.5-3D	PA2N1.5-4D	PA2N1.5-5D	652
	1800	145T	PA4N1.5-3C	PA4N1.5-4C	PA4N1.5-5C	PA4N1.5-3D	PA4N1.5-4D	PA4N1.5-5D	608
	1200	182T	PA6N1.5-3C	PA6N1.5-4C	PA6N1.5-5C	PA6N1.5-3D	PA6N1.5-4D	PA6N1.5-5D	767
2	3600	145T	PA2N002-3C	PA2N002-4C	PA2N002-5C	PA2N002-3D	PA2N002-4D	PA2N002-5D	630
	1800	145T	PA4N002-3C	PA4N002-4C	PA4N002-5C	PA4N002-3D	PA4N002-4D	PA4N002-5D	640
	1200	184T	PA6N002-2C	PA6N002-4C	PA6N002-5C	PA6N002-3D	PA6N002-4D	PA6N002-5D	836
3	3600	182T	PA2N003-3C	PA2N003-4C	PA2N003-5C	PA2N003-3D	PA2N003-4D	PA2N003-5D	814
	1800	182T	PA4N003-3C	PA4N003-4C	PA4N003-5C	PA4N003-3D	PA4N003-4D	PA4N003-5D	801
	1200	213T	PA6N003-3C	PA6N003-4C	PA6N003-5C	PA6N003-3D	PA6N003-4D	PA6N003-5D	1128
5	3600	184T	PA2N005-3C	PA2N005-4C	PA2N005-5C	PA2N005-3D	PA2N005-4D	PA2N005-5D	926
	1800	184T	PA4N005-3C	PA4N005-4C	PA4N005-5C	PA4N005-3D	PA4N005-4D	PA4N005-5D	951
	1200	215T	PA6N005-3C	PA6N005-4C	PA6N005-5C	PA6N005-3D	PA6N005-4D	PA6N005-5D	1510
7.5	3600	213T	PA2N7.5-3C	PA2N7.5-4C	PA2N7.5-5C	PA2N7.5-3D	PA2N7.5-4D	PA2N7.5-5D	1278
	1800	213T	PA4N7.5-3C	PA4N7.5-4C	PA4N7.5-5C	PA4N7.5-3D	PA4N7.5-4D	PA4N7.5-5D	1363
10	3600	215T	PA2N010-3C	PA2N010-4C	PA2N010-5C	PA2N010-3D	PA2N010-4D	PA2N010-5D	1450
	1800	215T	PA4N010-3C	PA4N010-4C	PA4N010-5C	PA4N010-3D	PA4N010-4D	PA4N010-5D	1541



Discount Category **16**



NEMA Frame

Performance - Page 63
Dimensions - Page 45

Foot Mounted

3PH, 60 Hz

Cast Iron Construction

1- 200HP



EPACT
CC096A



Features:

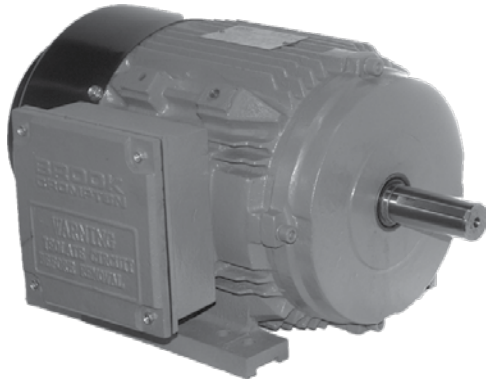
- Inverter Duty 5:1 Constant Torque
- Severe Duty
- IP55 degree of protection
- VPI Impregnation
- Internal Tropicproof
- NEMA Design B
- Class F insulation
- Service Factor 1.15 (1.0 -208V)
- Wye - Delta Start 213 Frame and above
- Double lip seals on both ends
- F1 to F2 convertible
- Split conduit box is 90° rotatable
- Regreasable bearings 250 frame and larger
- Lithium No.3 Grease
- 1045 Carbon steel shafts
- C Faces available
- Warranty: 2 years

HP	RPM	FRAME	208-230/460V	575V	LIST
1	1800	143T	TC4N001-2	TC4N001-5	\$318
	1200	145T	TC6N001-2	TC6N001-5	342
1.5	3600	143T	TC2N1.5-2	TC2N1.5-5	321
	1800	145T	TC4N1.5-2	TC4N1.5-5	346
2	1200	182T	TC6N1.5-2	TC6N1.5-5	436
	3600	145T	TC2N002-2	TC2N002-5	368
	1800	145T	TC4N002-2	TC4N002-5	365
3	1200	184T	TC6N002-2	TC6N002-5	512
	3600	182T	TC2N003-2	TC2N003-5	483
5	1800	182T	TC4N003-2	TC4N003-5	490
	1200	213T	TC6N003-2	TC6N003-5	688
	3600	184T	TC2N005-2	TC2N005-5	587
7.5	1800	184T	TC4N005-2	TC4N005-5	530
	1200	215T	TC6N005-2	TC6N005-5	865
	3600	213T	TC2N7.5-2	TC2N7.5-5	822
10	1800	213T	TC4N7.5-2	TC4N7.5-5	707
	1200	254T	TC6N7.5-2	TC6N7.5-5	1039
	3600	215T	TC2N010-2	TC2N010-5	898
15	1800	215T	TC4N010-2	TC4N010-5	815
	1200	256T	TC6N010-2	TC6N010-5	1431
	3600	254T	TC2N015-2	TC2N015-5	1268
20	1800	254T	TC4N015-2	TC4N015-5	1222
	1200	284T	TC6N015-2	TC6N015-5	1676
	3600	256T	TC2N020-2	TC2N020-5	1532
25	1800	256T	TC4N020-2	TC4N020-5	1421
	1200	286T	TC6N020-2	TC6N020-5	2012
	3600	284TS	TC2N025-2	TC2N025-5	1951
30	1800	284T	TC4N025-2	TC4N025-5	1914
	1200	324T	TC6N025-2	TC6N025-5	2649
	3600	286TS	TC2N030-2	TC2N030-5	2152
40	1800	286T	TC4N030-2	TC4N030-5	1993
	1200	326T	TC6N030-2	TC6N030-5	3075
	3600	324TS	TC2N040-2	TC2N040-5	2700
40	1800	324T	TC4N040-2	TC4N040-5	2649
	1200	364T	TC6N040-2	TC6N040-5	3785

NOTE: EPACT Efficiency Product
Is Subject To Availability



Discount Category **52**



NEMA Frame

Foot Mounted

3PH, 60 Hz

Cast Iron Construction

1- 200HP

Performance - Page 63
Dimensions - Page 45

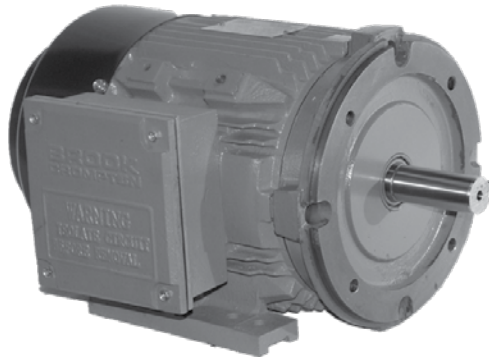
HP	RPM	FRAME	208-230/460V	575V	LIST
50	3600	326TS	TC2N050-2	TC2N050-5	\$3212
	1800	326T	TC4N050-2	TC4N050-5	3324
	1200	365T	TC6N050-2	TC6N050-5	4974
60	3600	364TS	TC2N060-2	TC2N060-5	4463
	1800	364T	TC4N060-2	TC4N060-5	4437
	1200	404T	TC6N060-2	TC6N060-5	5641
75	3600	365TS	TC2N075-2	TC2N075-5	5393
	1800	365T	TC4N075-2	TC4N075-5	5170
	1200	405T	TC6N075-2	TC6N075-5	5811
100	3600	405TS	TC2N100-2	TC2N100-5	6221
	1800	405T	TC4N100-2	TC4N100-5	5945
	1200	444T	TC6N100-2	TC6N100-5	7967
125	3600	444TS	TC2N125-9	TC2N125-5	7967
	1800	444T	TC4N125-9	TC4N125-5	8850
	1200	445T	TC6N125-9	TC6N125-5	10681
150	3600	445TS	TC2N150-9	TC2N150-5	11895
	1800	445T	TC4N150-9	TC4N150-5	10025
	1200	447T	TC6N150-9	TC6N150-5	13547
200	3600	447TS	TC2N200-9	TC2N200-5	14239
	1800	447T	TC4N200-9	TC4N200-5	13273

NOTE: Models Above 200HP Call For Quote
Models ending in -9 are 460V

NOTE: EPACT Efficiency Product
Is Subject To Availability



Discount Category **52**



NEMA Frame

C Face Mounted

3PH, 60 Hz

Cast Iron Construction

1 - 200HP

Performance - Page 63
Dimensions - Page 46



EPACT
CC096A



Features:

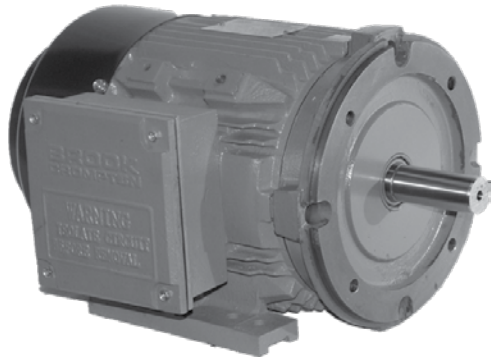
- Inverter rated 5:1 Constant Torque
- Severe Duty
- IP55 degree of protection
- VPI Impregnation
- Internal Tropicproof
- NEMA Design B
- Class F insulation
- Service Factor 1.15 (1.0 -208V)
- Wye - Delta Start 213 Frame and above
- Double lip seals on both ends
- F1 to F2 convertible
- Split conduit box is 90° rotatable
- Regreasable bearings 250 frame and larger
- Lithium No.3 Grease
- 1045 Carbon steel shafts
- C Faces available
- Warranty: 2 years

HP	RPM	FRAME	C FACE		LIST
			208-230/460V	575V	
1	1800	143TC	TC4N001-2C	TC4N001-5C	\$363
	1200	145TC	TC6N001-2C	TC6N001-5C	387
1.5	3600	143TC	TC2N1.5-2C	TC2N1.5-5C	366
	1800	145TC	TC4N1.5-2C	TC4N1.5-5C	391
	1200	182TC	TC6N1.5-2C	TC6N1.5-5C	501
2	3600	145TC	TC2N002-2C	TC2N002-5C	413
	1800	145TC	TC4N002-2C	TC4N002-5C	410
	1200	184TC	TC6N002-2C	TC6N002-5C	577
3	3600	182TC	TC2N003-2C	TC2N003-5C	548
	1800	182TC	TC4N003-2C	TC4N003-5C	555
	1200	213TC	TC6N003-2C	TC6N003-5C	788
5	3600	184TC	TC2N005-2C	TC2N005-5C	652
	1800	184TC	TC4N005-2C	TC4N005-5C	595
	1200	215TC	TC6N005-2C	TC6N005-5C	965
7.5	3600	213TC	TC2N7.5-2C	TC2N7.5-5C	922
	1800	213TC	TC4N7.5-2C	TC4N7.5-5C	807
	1200	254TC	TC6N7.5-2C	TC6N7.5-5C	1179
10	3600	215TC	TC2N010-2C	TC2N010-5C	998
	1800	215TC	TC4N010-2C	TC4N010-5C	915
	1200	256TC	TC6N010-2C	TC6N010-5C	1571
15	3600	254TC	TC2N015-2C	TC2N015-5C	1408
	1800	254TC	TC4N015-2C	TC4N015-5C	1362
	1200	284TC	TC6N015-2C	TC6N015-5C	1896
20	3600	256TC	TC2N020-2C	TC2N020-5C	1672
	1800	256TC	TC4N020-2C	TC4N020-5C	1561
	1200	286TC	TC6N020-2C	TC6N020-5C	2232
25	3600	284TSC	TC2N025-2C	TC2N025-5C	2171
	1800	284TC	TC4N025-2C	TC4N025-5C	2134
	1200	324TC	TC6N025-2C	TC6N025-5C	2909
30	3600	286TSC	TC2N030-2C	TC2N030-5C	2372
	1800	286TC	TC4N030-2C	TC4N030-5C	2213
	1200	326TC	TC6N030-2C	TC6N030-5C	3335
40	3600	324TSC	TC2N040-2C	TC2N040-5C	2960
	1800	324TC	TC4N040-2C	TC4N040-5C	2909
	1200	364TC	TC6N040-2C	TC6N040-5C	4175

NOTE: EPACT Efficiency Product
Is Subject To Availability



Discount Category **52**



NEMA Frame

C Face Mounted

3PH, 60 Hz

Cast Iron Construction

1 - 200HP

Performance - Page 63
Dimensions - Page 46

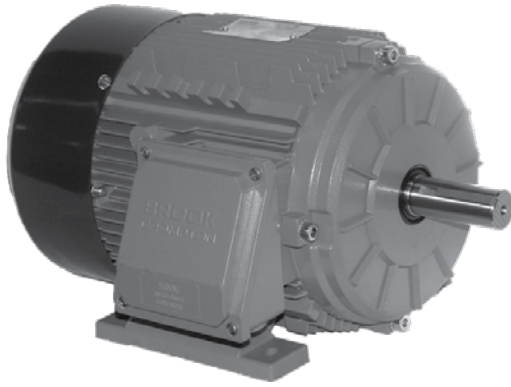
HP	RPM	FRAME	C FACE		LIST
			208-230/460V	575V	
50	3600	326TSC	TC2N050-2C	TC2N050-5C	\$3472
	1800	326TC	TC4N050-2C	TC4N050-5C	3584
	1200	365TC	TC6N050-2C	TC6N050-5C	5364
60	3600	364TSC	TC2N060-2C	TC2N060-5C	4853
	1800	364TC	TC4N060-2C	TC4N060-5C	4827
	1200	404TC	TC6N060-2C	TC6N060-5C	6261
75	3600	365TSC	TC2N075-2C	TC2N075-5C	5783
	1800	365TC	TC4N075-2C	TC4N075-5C	5560
	1200	405TC	TC6N075-2C	TC6N075-5C	6431
100	3600	405TSC	TC2N100-2C	TC2N100-5C	6841
	1800	405TC	TC4N100-2C	TC4N100-5C	6565
	1200	444TC	TC6N100-2C	TC6N100-5C	9107
125	3600	444TSC	TC2N125-9C	TC2N125-5C	10152
	1800	444TC	TC4N125-9C	TC4N125-5C	9990
	1200	445TC	TC6N125-9C	TC6N125-5C	11821
150	3600	445TSC	TC2N150-9C	TC2N150-5C	13035
	1800	445TC	TC4N150-9C	TC4N150-5C	11165
	1200	447TC	TC6N150-9C	TC6N150-5C	14687
200	3600	447TSC	TC2N200-9C	TC2N200-5C	15379
	1800	447TC	TC4N200-9C	TC4N200-5C	14413

NOTE: Models Above 200HP Call For Quote
Models ending in -9C are 460V

NOTE: EPACT Efficiency Product
Is Subject To Availability



Discount Category **52**



NEMA Frame

Foot Mounted

3PH, 60 Hz

Aluminum Construction

1 - 10HP

Performance - Page 63
Dimensions - Page 45



EPACT
CC096A



Features:

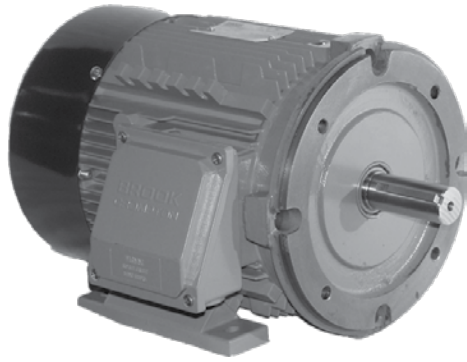
- Inverter rated 5:1 Constant Torque
- IP55 degree of protection
- VPI Impregnation
- Internal Tropicproof
- F1 to F2, F3 convertible
- NEMA Design B
- Class F insulation
- Service Factor 1.15
- Dual Rated 60/50Hz
- Wye - Delta Start 213 Frame and above
- Double lip seals on both ends
- Split conduit box is 90° rotatable
- 1045 Carbon steel shafts
- Warranty: 2 Years

HP	RPM	FRAME	208/416V	230/460V	575V	LIST
1	1800	143T	TA4N001-3	TA4N001-4	TA4N001-5	\$400
	1200	145T	TA6N001-3	TA6N001-4	TA6N001-5	486
1.5	3600	143T	TA2N1.5-3	TA2N1.5-4	TA2N1.5-5	438
	1800	145T	TA4N1.5-3	TA4N1.5-4	TA4N1.5-5	445
2	1200	182T	TA6N1.5-3	TA6N1.5-4	TA6N1.5-5	573
	3600	145T	TA2N002-3	TA2N002-4	TA2N002-5	458
	1800	145T	TA4N002-3	TA4N002-4	TA4N002-5	463
3	1200	184T	TA6N002-3	TA6N002-4	TA6N002-5	630
	3600	182T	TA2N003-3	TA2N003-4	TA2N003-5	583
	1800	182T	TA4N003-3	TA4N003-4	TA4N003-5	592
5	1200	213T	TA6N003-3	TA6N003-4	TA6N003-5	823
	3600	184T	TA2N005-3	TA2N005-4	TA2N005-5	742
	1800	184T	TA4N005-3	TA4N005-4	TA4N005-5	682
7.5	1200	215T	TA6N005-3	TA6N005-4	TA6N005-5	1088
	3600	213T	TA2N7.5-3	TA2N7.5-4	TA2N7.5-5	1012
	1800	213T	TA4N7.5-3	TA4N7.5-4	TA4N7.5-5	920
10	3600	215T	TA2N010-3	TA2N010-4	TA2N010-5	1104
	1800	215T	TA4N010-3	TA4N010-4	TA4N010-5	1058

NOTE: EPACT Efficiency Product
Is Subject To Availability



Discount Category **15**



NEMA Frame
Flange Mounted
3PH, 60 Hz
Aluminum Construction
1 - 10HP

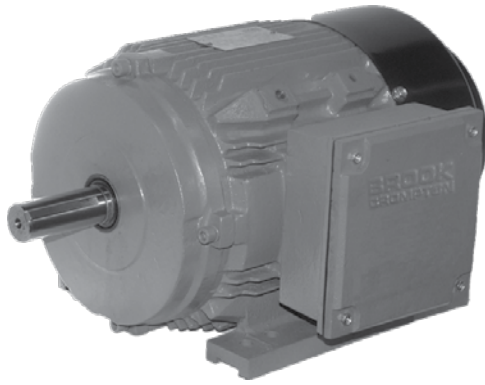
Performance - Page 63
 Dimensions - Page 46

HP	RPM	FRAME	C FACE			D FLANGE			LIST
			208/416V	230/460V	575V	208/416V	230/460V	575V	
1	1800	143T	TA4N001-3C	TA4N001-4C	TA4N001-5C	TA4N001-3D	TA4N001-4D	TA4N001-5D	\$445
	1200	145T	TA6N001-3C	TA6N001-4C	TA6N001-5C	TA6N001-3D	TA6N001-4D	TA6N001-5D	531
1.5	3600	143T	TA2N1.5-3C	TA2N1.5-4C	TA2N1.5-5C	TA2N1.5-3D	TA2N1.5-4D	TA2N1.5-5D	483
	1800	145T	TA4N1.5-3C	TA4N1.5-4C	TA4N1.5-5C	TA4N1.5-3D	TA4N1.5-4D	TA4N1.5-5D	490
	1200	182T	TA6N1.5-3C	TA6N1.5-4C	TA6N1.5-5C	TA6N1.5-3D	TA6N1.5-4D	TA6N1.5-5D	638
2	3600	145T	TA2N002-3C	TA2N002-4C	TA2N002-5C	TA2N002-3D	TA2N002-4D	TA2N002-5D	503
	1800	145T	TA4N002-3C	TA4N002-4C	TA4N002-5C	TA4N002-3D	TA4N002-4D	TA4N002-5D	508
	1200	184T	TA6N002-2C	TA6N002-4C	TA6N002-5C	TA6N002-3D	TA6N002-4D	TA6N002-5D	695
3	3600	182T	TA2N003-3C	TA2N003-4C	TA2N003-5C	TA2N003-3D	TA2N003-4D	TA2N003-5D	648
	1800	182T	TA4N003-3C	TA4N003-4C	TA4N003-5C	TA4N003-3D	TA4N003-4D	TA4N003-5D	657
	1200	213T	TA6N003-3C	TA6N003-4C	TA6N003-5C	TA6N003-3D	TA6N003-4D	TA6N003-5D	923
5	3600	184T	TA2N005-3C	TA2N005-4C	TA2N005-5C	TA2N005-3D	TA2N005-4D	TA2N005-5D	807
	1800	184T	TA4N005-3C	TA4N005-4C	TA4N005-5C	TA4N005-3D	TA4N005-4D	TA4N005-5D	747
	1200	215T	TA6N005-3C	TA6N005-4C	TA6N005-5C	TA6N005-3D	TA6N005-4D	TA6N005-5D	1188
7.5	3600	213T	TA2N7.5-3C	TA2N7.5-4C	TA2N7.5-5C	TA2N7.5-3D	TA2N7.5-4D	TA2N7.5-5D	1112
	1800	213T	TA4N7.5-3C	TA4N7.5-4C	TA4N7.5-5C	TA4N7.5-3D	TA4N7.5-4D	TA4N7.5-5D	1020
10	3600	215T	TA2N010-3C	TA2N010-4C	TA2N010-5C	TA2N010-3D	TA2N010-4D	TA2N010-5D	1204
	1800	215T	TA4N010-3C	TA4N010-4C	TA4N010-5C	TA4N010-3D	TA4N010-4D	TA4N010-5D	1158

NOTE: EPACT Efficiency Product
 Is Subject To Availability



Discount Category **15**



IEC Frame
Foot Mounted
3PH, 60 Hz
Cast Iron Construction
1.0 - 200HP

Performance - Page 61-62
Dimensions - Page 47-48



Features:

- NEMA MG1-PART 31 Inverter Duty
 - 15:1 Constant Torque
- Severe Duty
- VPI Impregnation
- Internal Tropicproof
- IP55 degree of protection
- Class F Insulation
- Dual Rated 60/50Hz
- Wye - Delta Start 112 Frame and above
- Double lip seals on both ends
- F3 to F2, F1 convertible
- Split conduit box is 90° rotatable
- Regreasable bearings 160 frame and larger
- Polyurea Grease
- 1045 Carbon steel shafts 80-200, 4140 225 & above
- Warranty: 2 Years

HP	kW	RPM	FRAME	VOLTAGE		LIST
				230/460V	575V	
1	0.75	3600	80	PC2M001-4	PC2M001-5	\$476
		1800	80	PC4M001-4	PC4M001-5	507
		1200	90S	PC6M001-4	PC6M001-5	665
1.5	1.1	3600	80	PC2M1.5-4	PC2M1.5-5	582
		1800	90S	PC4M1.5-4	PC4M1.5-5	577
		1200	90L	PC6M1.5-4	PC6M1.5-5	808
2	1.5	3600	90S	PC2M002-4	PC2M002-5	626
		1800	90L	PC4M002-4	PC4M002-5	624
		1200	100L	PC6M002-4	PC6M002-5	797
3	2.2	3600	90L	PC2M003-4	PC2M003-5	733
		1800	100L	PC4M003-4	PC4M003-5	768
		1200	112M	PC6M003-4	PC6M003-5	1041
4	3	3600	100L	PC2M004-4	PC2M004-5	831
		1800	100L	PC4M004-4	PC4M004-5	840
		1200	132S	PC6M004-4	PC6M004-5	1333
5.5	4	3600	112M	PC2M5.5-4	PC2M5.5-5	965
		1800	112M	PC4M5.5-4	PC4M5.5-5	957
		1200	132MA	PC6M5.5-4	PC6M5.5-5	1597
7.5	5.5	3600	132SA	PC2M7.5-4	PC2M7.5-5	1248
		1800	132S	PC4M7.5-4	PC4M7.5-5	1348
		1200	132MB	PC6M7.5-4	PC6M7.5-5	2094
10	7.5	3600	132SB	PC2M010-4	PC2M010-5	1366
		1800	132M	PC4M010-4	PC4M010-5	1694
		1200	160M	PC6M010-4	PC6M010-5	2453
15	11	3600	160M	PC2M015-4	PC2M015-5	2295
		1800	160M	PC4M015-4	PC4M015-5	2399
		1200	160L	PC6M015-4	PC6M015-5	3338

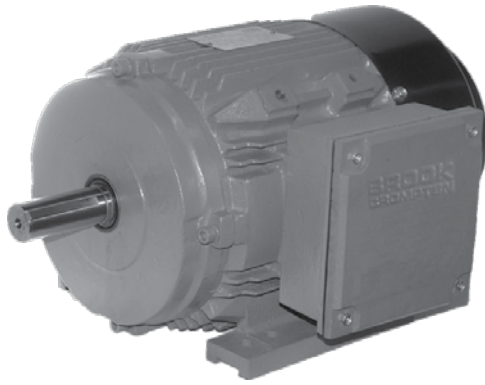


Discount Category **18**

PE III SERIES PREMIUM EFFICIENCY
Cast Iron Construction - TEFC



Performance - Page 61-62
 Dimensions - Page 47-48



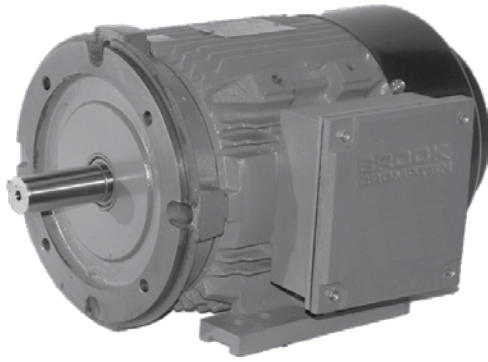
IEC Frame
Foot Mounted
3PH, 60 Hz
Cast Iron Construction
1.0 - 200HP

HP	kW	RPM	FRAME	VOLTAGE		LIST
				230/460V	575V	
20	15	3600	160M	PC2M020-4	PC2M020-5	\$2574
		1800	160L	PC4M020-4	PC4M020-5	2950
		1200	180L	PC6M020-4	PC6M020-5	4778
25	18.5	3600	160L	PC2M025-4	PC2M025-5	2931
		1800	180M	PC4M025-4	PC4M025-5	3324
		1200	200L	PC6M025-4	PC6M025-5	5940
30	22	3600	180M	PC2M030-4	PC2M030-5	3778
		1800	180L	PC4M030-4	PC4M030-5	4334
		1200	200L	PC6M030-4	PC6M030-5	7386
40	30	3600	200L	PC2M040-4	PC2M040-5	5623
		1800	200L	PC4M040-4	PC4M040-5	6227
		1200	225M	PC6M040-4	PC6M040-5	8902
50	37	3600	200L	PC2M050-4	PC2M050-5	7089
		1800	225S	PC4M050-4	PC4M050-5	8112
		1200	250M	PC6M050-4	PC6M050-5	11959
60	45	3600	225M	PC2M060-4	PC2M060-5	10404
		1800	225M	PC4M060-4	PC4M060-5	9429
		1200	280S	PC6M060-4	PC6M060-5	16238
75	55	3600	250M	PC2M075-4	PC2M075-5	12303
		1800	250M	PC4M075-4	PC4M075-5	12938
		1200	280M	PC6M075-4	PC6M075-5	20756
100	75	3600	280S	PC2M100-4	PC2M100-5	18785
		1800	280S	PC4M100-4	PC4M100-5	17416
		1200	315S	PC6M100-4	PC6M100-5	25818
125	90	3600	280M	PC2M125-9	PC2M125-5	23037
		1800	280M	PC4M125-9	PC4M125-5	22031
		1200	315M	PC6M125-9	PC6M125-5	31028
150	110	3600	315S	PC2M150-9	PC2M150-5	24767
		1800	315S	PC4M150-9	PC4M150-5	26608
		1200	315L	PC6M150-9	PC6M150-5	35549
200	150	3600	315M	PC2M200-9	PC2M200-5	33735
		1800	315M	PC4M200-9	PC4M200-5	30977

NOTE: Models ending in -9 are 460V



Discount Category **18**



IEC Frame
Flange Mounted
3PH, 60 Hz
Cast Iron Construction
0.33 - 200HP

Performance - Page 61-62
Dimensions - Page 47-48



Features:

- NEMA MG1-PART 31 Inverter Duty
15:1 Constant Torque
- Severe Duty
- VPI Impregnation
- IP55 degree of protection
- Internal Tropicproof
- Class F Insulation
- Dual Rated 60/50Hz
- Wye - Delta Start 112 Frame and above
- Double lip seals on both ends
- F3 to F2, F1 convertible
- Split conduit box is 90° rotatable
- Regreasable bearings 160 frame and larger
- Polyurea Grease
- 1045 Carbon steel shafts 80-200, 4140 225 & above
- Warranty: 2 Years

HP	KW	RPM	FRAME	C FLANGE		D FLANGE		LIST
				230/460V	575V	230/460V	575V	
1	0.75	3600	80	PC2M001-4C	PC2M001-5C	PC2M001-4D	PC2M001-5D	516
		1800	80	PC4M001-4C	PC4M001-5C	PC4M001-4D	PC4M001-5D	547
		1200	90S	PC6M001-4C	PC6M001-5C	PC6M001-4D	PC6M001-5D	715
1.5	1.1	3600	80	PC2M1.5-4C	PC2M1.5-5C	PC2M1.5-4D	PC2M1.5-5D	622
		1800	90S	PC4M1.5-4C	PC4M1.5-5C	PC4M1.5-4D	PC4M1.5-5D	627
		1200	90L	PC6M1.5-4C	PC6M1.5-5C	PC6M1.5-4D	PC6M1.5-5D	858
2	1.5	3600	90S	PC2M002-4C	PC2M002-5C	PC2M002-4D	PC2M002-5D	676
		1800	90L	PC4M002-4C	PC4M002-5C	PC4M002-4D	PC4M002-5D	674
		1200	100L	PC6M002-4C	PC6M002-5C	PC6M002-4D	PC6M002-5D	867
3	2.2	3600	90L	PC2M003-4C	PC2M003-5C	PC2M003-4D	PC2M003-5D	783
		1800	100L	PC4M003-4C	PC4M003-5C	PC4M003-4D	PC4M003-5D	838
		1200	112M	PC6M003-4C	PC6M003-5C	PC6M003-4D	PC6M003-5D	1111
4	3	3600	100L	PC2M004-4C	PC2M004-5C	PC2M004-4D	PC2M004-5D	901
		1800	100L	PC4M004-4C	PC4M004-5C	PC4M004-4D	PC4M004-5D	910
		1200	132S	PC6M004-4C	PC6M004-5C	PC6M004-4D	PC6M004-5D	1458
5.5	4	3600	112M	PC2M5.5-4C	PC2M5.5-5C	PC2M5.5-4D	PC2M5.5-5D	1045
		1800	112M	PC4M5.5-4C	PC4M5.5-5C	PC4M5.5-4D	PC4M5.5-5D	1037
		1200	132MA	PC6M5.5-4C	PC6M5.5-5C	PC6M5.5-4D	PC6M5.5-5D	1722
7.5	5.5	3600	132SA	PC2M7.5-4C	PC2M7.5-5C	PC2M7.5-4D	PC2M7.5-5D	1373
		1800	132S	PC4M7.5-4C	PC4M7.5-5C	PC4M7.5-4D	PC4M7.5-5D	1473
		1200	132MB	PC6M7.5-4C	PC6M7.5-5C	PC6M7.5-4D	PC6M7.5-5D	2219
10	7.5	3600	132SB	PC2M010-4C	PC2M010-5C	PC2M010-4D	PC2M010-5D	1491
		1800	132M	PC4M010-4C	PC4M010-5C	PC4M010-4D	PC4M010-5D	1819
		1200	160M	PC6M010-4C	PC6M010-5C	PC6M010-4D	PC6M010-5D	2678
15	11	3600	160M	PC2M015-4C	PC2M015-5C	PC2M015-4D	PC2M015-5D	2520
		1800	160M	PC4M015-4C	PC4M015-5C	PC4M015-4D	PC4M015-5D	2624
		1200	160L	PC6M015-4C	PC6M015-5C	PC6M015-4D	PC6M015-5D	3563

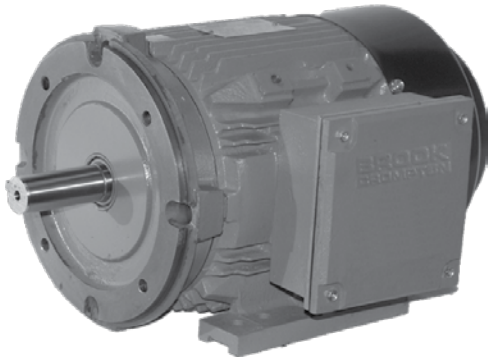


Discount Category **18**

PE III SERIES PREMIUM EFFICIENCY
Cast Iron Construction - TEFC

BROOK CROMPTON

Performance - Page 61-62
 Dimensions - Page 47-48



IEC Frame
Flange Mounted
3PH, 60 Hz
Cast Iron Construction
0.33 - 200HP

HP	KW	RPM	FRAME	C FLANGE		D FLANGE		LIST
				230/460V	575V	230/460V	575V	
20	15	3600	160M	PC2M020-4C	PC2M020-5C	PC2M020-4D	PC2M020-5D	\$2799
		1800	160L	PC4M020-4C	PC4M020-5C	PC4M020-4D	PC4M020-5D	3175
		1200	180L			PC6M020-4D	PC6M020-5D	5098
25	18.5	3600	160L	PC2M025-4C	PC2M025-5C	PC2M025-4D	PC2M025-5D	3156
		1800	180M			PC4M025-4D	PC4M025-5D	3644
		1200	200L			PC6M025-4D	PC6M025-5D	6415
30	22	3600	180M			PC2M030-4D	PC2M030-5D	4003
		1800	180L			PC4M030-4D	PC4M030-5D	4654
		1200	200L			PC6M030-4D	PC6M030-5D	7861
40	30	3600	200L			PC2M040-4D	PC2M040-5D	6098
		1800	200L			PC4M040-4D	PC4M040-5D	6702
		1200	225M			PC6M040-4D	PC6M040-5D	9557
50	37	3600	200L			PC2M050-4D	PC2M050-5D	7564
		1800	225S			PC4M050-4D	PC4M050-5D	8767
		1200	250S			PC6M050-4D	PC6M050-5D	12884
60	45	3600	225M			PC2M060-4D	PC2M060-5D	11059
		1800	225M			PC4M060-4D	PC4M060-5D	10084
		1200	250M			PC6M060-4D	PC6M060-5D	17163
75	55	3600	250M			PC2M075-4D	PC2M075-5D	13228
		1800	250M			PC4M075-4D	PC4M075-5D	13863
		1200	280M			PC6M075-4D	PC6M075-5D	22131
100	75	3600	280S			PC2M100-4D	PC2M100-5D	19710
		1800	280S			PC4M100-4D	PC4M100-5D	18791
		1200	315S			PC6M100-4D	PC6M100-5D	28438
125	90	3600	280M			PC2M125-9D	PC2M125-5D	24412
		1800	280M			PC4M125-9D	PC4M125-5D	23406
		1200	315M			PC6M125-9D	PC6M125-5D	33648
150	110	3600	315S			PC2M150-9D	PC2M150-5D	27387
		1800	315S			PC4M150-9D	PC4M150-5D	28688
		1200	315L			PC6M150-9D	PC6M150-5D	38169
200	150	3600	315M			PC2M200-9D	PC2M200-5D	36355
		1800	315M			PC4M200-9D	PC4M200-5D	33597

NOTE: Models ending in -9D are 460V



Discount Category **18**



IEC Frame
Foot Mounted
3PH, 60 Hz
Aluminum Construction
Premium Efficiency 1 - 10HP

Performance - Page 61-62
Dimensions - Page 47-48



Features:

- NEMA MG1-PART 31 Inverter Duty
15:1 Constant Torque
- NEMA Design B
- Class F insulation
- VPI Impregnation
- IP55 degree of protection
- Internal Tropicproof
- Service Factor 1.25
- Dual Rated 60/50Hz
- Wye - Delta Start 112 Frame and above
- Double lip seals on both ends
- F3 to F2, F1 convertible
- Split conduit box is 90° rotatable
- 1045 Carbon steel shafts
- Warranty: 2 Years

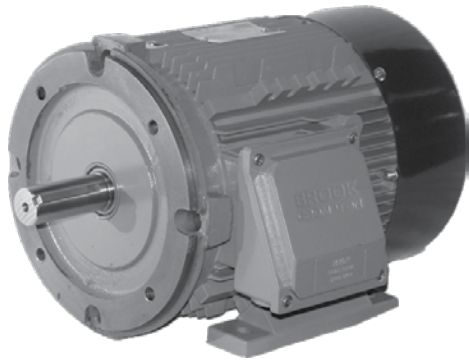
HP	KW	RPM	FRAME	208-230/460V	575V	LIST
0.25	0.18	3600	63	TA2M.25-2	TA2M.25-5	\$369
		1800	63	TA4M.25-2	TA4M.25-5	331
		1200	71	TA6M.25-2	TA6M.25-5	401
		900	80	TA8M.25-2	TA8M.25-5	429
0.33	0.25	3600	63	TA2M.33-2	TA2M.33-5	369
		1800	71	TA4M.33-2	TA4M.33-5	333
		1200	71	TA6M.33-2	TA6M.33-5	429
		900	80	TA8M.33-2	TA8M.33-5	482
0.5	0.37	3600	71	TA2M.50-2	TA2M.50-5	377
		1800	71	TA4M.50-2	TA4M.50-5	341
		1200	80	TA6M.50-2	TA6M.50-5	449
		900	90S	TA8M.50-2	TA8M.50-5	578
0.75	0.55	3600	71	TA2M.75-2	TA2M.75-5	385
		1800	80	TA4M.75-2	TA4M.75-5	395
		1200	80	TA6M.75-2	TA6M.75-5	480
		900	90L	TA8M.75-2	TA8M.75-5	609
1	0.75	3600	80	PA2M001-2	PA2M001-5	476
		1800	80	PA4M001-2	PA4M001-5	507
		1200	90S	PA6M001-2	PA6M001-5	665
1.5	1.1	3600	80	PA2M1.5-2	PA2M1.5-5	582
		1800	90L	PA4M1.5-2	PA4M1.5-5	577
		1200	90L	PA6M1.5-2	PA6M1.5-5	808
2	1.5	3600	90S	PA2M002-2	PA2M002-5	626
		1800	90L	PA4M002-2	PA4M002-5	624
		1200	100L	PA6M002-2	PA6M002-5	797
3	2.2	3600	90L	PA2M003-2	PA2M003-5	733
		1800	100L	PA4M003-2	PA4M003-5	768
		1200	112M	PA6M003-2	PA6M003-5	1041
4	3	3600	100L	PA2M004-2	PA2M004-5	831
		1800	100L	PA4M004-2	PA4M004-5	840
		1200	132S	PA6M004-2	PA6M004-5	1333
5.5	4	3600	112M	PA2M5.5-2	PA2M5.5-5	965
		1800	112M	PA4M5.5-2	PA4M5.5-5	957
		1200	132M	PA6M5.5-2	PA6M5.5-5	1597
7.5	5.5	3600	132S	PA2M7.5-2	PA2M7.5-5	1248
		1800	132S	PA4M7.5-2	PA4M7.5-5	1348
		1200	132M	PA6M7.5-2	PA6M7.5-5	2094
10	7.5	3600	132S	PA2M010-2	PA2M010-5	1366
		1800	132M	PA4M010-2	PA4M010-5	1694



Discount Category **17**

PE III SERIES PREMIUM EFFICIENCY
Aluminum Construction -TEFC

BROOK CROMPTON



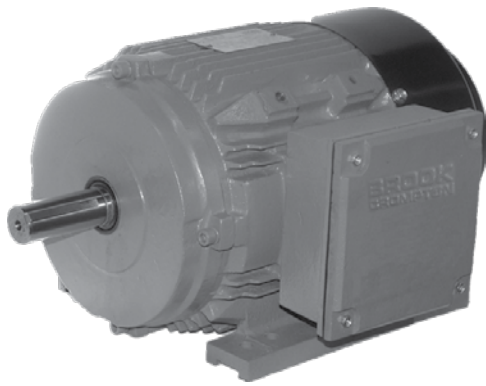
IEC Frame
Flange Mounted
3PH, 60 Hz
Aluminum Construction
Premium Efficiency 1 - 10HP

Performance - Page 61-62
 Dimensions - Page 47-48



HP	kW	RPM	FRAME	C FACE - WITH FEET		D FLANGE - WITH FEET		LIST
				208-230/460V	575V	208-230/460V	575V	
0.25	0.18	3600	63	TA2M.25-2C	TA2M.25-5C	TA2M.25-2D	TA2M.25-5D	\$409
		1800	63	TA4M.25-2C	TA4M.25-5C	TA4M.25-2D	TA4M.25-5D	371
		1200	71	TA6M.25-2C	TA6M.25-5C	TA6M.25-2D	TA6M.25-5D	441
		900	80	TA8M.25-2C	TA8M.25-5C	TA8M.25-2D	TA8M.25-5D	474
0.33	0.25	3600	63	TA2M.33-2C	TA2M.33-5C	TA2M.33-2D	TA2M.33-5D	409
		1800	71	TA4M.33-2C	TA4M.33-5C	TA4M.33-2D	TA4M.33-5D	373
		1200	71	TA6M.33-2C	TA6M.33-5C	TA6M.33-2D	TA6M.33-5D	469
		900	80	TA8M.33-2C	TA8M.33-5C	TA8M.33-2D	TA8M.33-5D	527
0.5	0.37	3600	71	TA2M.50-2C	TA2M.50-5C	TA2M.50-2D	TA2M.50-5D	417
		1800	71	TA4M.50-2C	TA4M.50-5C	TA4M.50-2D	TA4M.50-5D	381
		1200	80	TA6M.50-2C	TA6M.50-5C	TA6M.50-2D	TA6M.50-5D	494
		900	90S	TA8M.50-2C	TA8M.50-5C	TA8M.50-2D	TA8M.50-5D	628
0.75	0.55	3600	71	TA2M.75-2C	TA2M.75-5C	TA2M.75-2D	TA2M.75-5D	430
		1800	80	TA4M.75-2C	TA4M.75-5C	TA4M.75-2D	TA4M.75-5D	440
		1200	80	TA6M.75-2C	TA6M.75-5C	TA6M.75-2D	TA6M.75-5D	525
		900	90L	TA8M.75-2C	TA8M.75-5C	TA8M.75-2D	TA8M.75-5D	659
1	0.75	3600	80	PA2M001-2C	PA2M001-5C	PA2M001-2D	PA2M001-5D	516
		1800	80	PA4M001-2C	PA4M001-5C	PA4M001-2D	PA4M001-5D	547
		1200	90S	PA6M001-2C	PA6M001-5C	PA6M001-2D	PA6M001-5D	715
1.5	1.1	3600	80	PA2M1.5-2C	PA2M1.5-5C	PA2M1.5-2D	PA2M1.5-5D	622
		1800	90L	PA4M1.5-2C	PA4M1.5-5C	PA4M1.5-2D	PA4M1.5-5D	627
		1200	90L	PA6M1.5-2C	PA6M1.5-5C	PA6M1.5-2D	PA6M1.5-5D	858
2	1.5	3600	90S	PA2M002-2C	PA2M002-5C	PA2M002-2D	PA2M002-5D	676
		1800	90L	PA4M002-2C	PA4M002-5C	PA4M002-2D	PA4M002-5D	674
		1200	100L	PA6M002-2C	PA6M002-5C	PA6M002-2D	PA6M002-5D	867
3	2.2	3600	90L	PA2M003-2C	PA2M003-5C	PA2M003-2D	PA2M003-5D	783
		1800	100L	PA4M003-2C	PA4M003-5C	PA4M003-2D	PA4M003-5D	838
		1200	112M	PA6M003-2C	PA6M003-5C	PA6M003-2D	PA6M003-5D	1111
4	3	3600	100L	PA2M004-2C	PA2M004-5C	PA2M004-2D	PA2M004-5D	901
		1800	100L	PA4M004-2C	PA4M004-5C	PA4M004-2D	PA4M004-5D	910
		1200	132S	PA6M004-2C	PA6M004-5C	PA6M004-2D	PA6M004-5D	1458
5.5	4	3600	112M	PA2M5.5-2C	PA2M5.5-5C	PA2M5.5-2D	PA2M5.5-5D	1045
		1800	112M	PA4M5.5-2C	PA4M5.5-5C	PA4M5.5-2D	PA4M5.5-5D	1037
		1200	132M	PA6M5.5-2C	PA6M5.5-5C	PA6M5.5-2D	PA6M5.5-5D	1722
7.5	5.5	3600	132S	PA2M7.5-2C	PA2M7.5-5C	PA2M7.5-2D	PA2M7.5-5D	1373
		1800	132S	PA4M7.5-2C	PA4M7.5-5C	PA4M7.5-2D	PA4M7.5-5D	1473
		1200	132M	PA6M7.5-2C	PA6M7.5-5C	PA6M7.5-2D	PA6M7.5-5D	2219
10	7.5	3600	132S	PA2M010-2C	PA2M010-5C	PA2M010-2D	PA2M010-5D	1491
		1800	132M	PA4M010-2C	PA4M010-5C	PA4M010-2D	PA4M010-5D	1819

Discount Category **17**



IEC Frame
Foot Mounted
3PH, 60 Hz
Cast Iron Construction
1 - 200HP

Performance - Page 64
 Dimensions - Pages 47-48



Features:

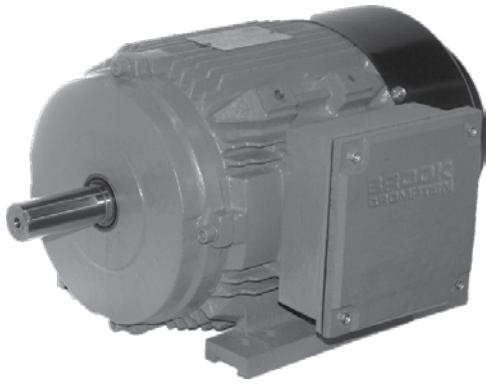
- Motor meets EPACT Efficiency requirements
- Inverter rated 15:1 Constant Torque
- Totally Enclosed Fan Cooled Enclosure
- VPI Impregnation
- IP55 degree of protection
- Internal Tropicproof
- Severe Duty
- Dual Rated 380V 50Hz
- NEMA Design B
- Class F insulation
- Service Factor 1.15
- C & D Flanges available
- F3 to F2, F1 convertible
- Double Shielded Ball Bearings up to 132 frame, regreasable bearings frame 160 and above.
- Warranty: 2 years

HP	kW	RPM	FRAME	VOLTAGE		LIST
				230/460V	575V	
1	0.75	3600	80	TC2M001-4	TC2M001-5	375
		1800	80	TC4M001-4	TC4M001-5	400
		1200	90S	TC6M001-4	TC6M001-5	502
1.5	1.1	3600	80	TC2M1.5-4	TC2M1.5-5	440
		1800	90S	TC4M1.5-4	TC4M1.5-5	456
		1200	90L	TC6M1.5-4	TC6M1.5-5	577
2	1.5	3600	90S	TC2M002-4	TC2M002-5	490
		1800	90L	TC4M002-4	TC4M002-5	485
		1200	100L	TC6M002-4	TC6M002-5	625
3	2.2	3600	90L	TC2M003-4	TC2M003-5	570
		1800	100L	TC4M003-4	TC4M003-5	600
		1200	112M	TC6M003-4	TC6M003-5	883
4	3	3600	100L	TC2M004-4	TC2M004-5	644
		1800	100L	TC4M004-4	TC4M004-5	656
		1200	132S	TC6M004-4	TC6M004-5	1066
5.5	4	3600	112M	TC2M5.5-4	TC2M5.5-5	832
		1800	112M	TC4M5.5-4	TC4M5.5-5	800
		1200	132MA	TC6M5.5-4	TC6M5.5-5	1232
7.5	5.5	3600	132SA	TC2M7.5-4	TC2M7.5-5	1040
		1800	132S	TC4M7.5-4	TC4M7.5-5	1040
		1200	132MB	TC6M7.5-4	TC6M7.5-5	1481
10	7.5	3600	132SB	TC2M010-4	TC2M010-5	1117
		1800	132M	TC4M010-4	TC4M010-5	1238
		1200	160M	TC6M010-4	TC6M010-5	1920
15	11	3600	160M	TC2M015-4	TC2M015-5	1804
		1800	160M	TC4M015-4	TC4M015-5	1804
		1200	160L	TC6M015-4	TC6M015-5	2466

NOTE: EPACT Efficiency Product
 Is Subject To Availability



Discount Category **18**

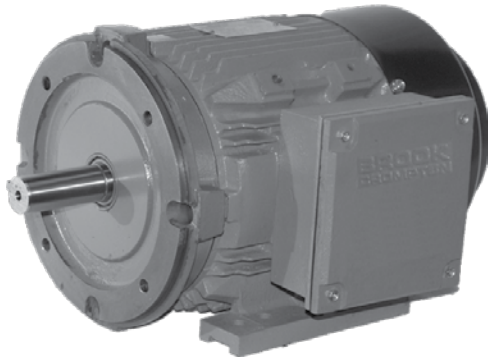


**IEC Frame
Foot Mounted
3PH, 60 Hz
Cast Iron Construction
1 - 200HP**

HP	KW	RPM	FRAME	VOLTAGE		LIST
				230/460V	575V	
20	15	3600	160M	TC2M020-4	TC2M020-5	\$2118
		1800	160L	TC4M020-4	TC4M020-5	2229
		1200	180L	TC6M020-4	TC6M020-5	3457
25	18.5	3600	160L	TC2M025-4	TC2M025-5	2579
		1800	180M	TC4M025-4	TC4M025-5	2834
		1200	200L	TC6M025-4	TC6M025-5	4444
30	22	3600	180M	TC2M030-4	TC2M030-5	3064
		1800	180L	TC4M030-4	TC4M030-5	3189
		1200	200L	TC6M030-4	TC6M030-5	5543
40	30	3600	200L	TC2M040-4	TC2M040-5	4379
		1800	200L	TC4M040-4	TC4M040-5	4719
		1200	225M	TC6M040-4	TC6M040-5	7418
50	37	3600	200L	TC2M050-4	TC2M050-5	5724
		1800	225S	TC4M050-4	TC4M050-5	6549
		1200	250M	TC6M050-4	TC6M050-5	10399
60	45	3600	225M	TC2M060-4	TC2M060-5	8370
		1800	225M	TC4M060-4	TC4M060-5	7704
		1200	280S	TC6M060-4	TC6M060-5	13532
75	55	3600	250M	TC2M075-4	TC2M075-5	10399
		1800	250M	TC4M075-4	TC4M075-5	9523
		1200	280M	TC6M075-4	TC6M075-5	17297
100	75	3600	280S	TC2M100-4	TC2M100-5	13532
		1800	280S	TC4M100-4	TC4M100-5	12339
		1200	280M	TC6M100-4	TC6M100-5	19860
125	90	3600	280M	TC2M125-9	TC2M125-5	17637
		1800	280M	TC4M125-9	TC4M125-5	15927
		1200	315M	TC6M125-9	TC6M125-5	25411
150	110	3600	315S	TC2M150-9	TC2M150-5	20639
		1800	315S	TC4M150-9	TC4M150-5	18289
		1200	315L	TC6M150-9	TC6M150-5	29624
200	150	3600	315L	TC2M200-9	TC2M200-5	30668
		1800	315L	TC4M200-9	TC4M200-5	25814

NOTE: Models ending in -9 are 460V

NOTE: EPACT Efficiency Product
Is Subject To Availability



IEC Frame C Face/D Flange Mounted 3PH, 60 Hz Cast Iron Construction 1 - 200HP

Performance - Page 64
Dimensions - Pages 47-48



Features:

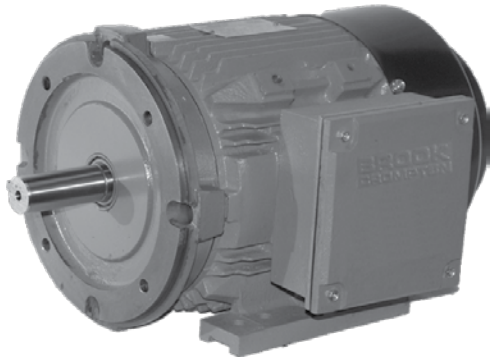
- Motor meets EPACT Efficiency requirements
- Inverter rated 15:1 Constant Torque
- Totally Enclosed Fan Cooled Enclosure
- VPI Impregnation
- IP55 degree of protection
- Internal Tropicproof
- Severe Duty
- Dual Rated 380V 50Hz
- NEMA Design B
- Class F insulation
- Service Factor 1.15
- F3 to F2, F1 convertible
- Double Shielded Ball Bearings up to 132 frame, regreasable bearings frame 160 and above.
- Warranty: 2 years

HP	KW	RPM	FRAME	C FLANGE		D FLANGE		LIST
				230/460V	575V	230/460V	575V	
1	0.75	3600	80	TC2M001-4C	TC2M001-5C	TC2M001-4D	TC2M001-5D	420
		1800	80	TC4M001-4C	TC4M001-5C	TC4M001-4D	TC4M001-5D	446
		1200	90S	TC6M001-4C	TC6M001-5C	TC6M001-4D	TC6M001-5D	552
1.5	1.1	3600	80	TC2M1.5-4C	TC2M1.5-5C	TC2M1.5-4D	TC2M1.5-5D	485
		1800	90S	TC4M1.5-4C	TC4M1.5-5C	TC4M1.5-4D	TC4M1.5-5D	506
		1200	90L	TC6M1.5-4C	TC6M1.5-5C	TC6M1.5-4D	TC6M1.5-5D	627
2	1.5	3600	90S	TC2M002-4C	TC2M002-5C	TC2M002-4D	TC2M002-5D	540
		1800	90L	TC4M002-4C	TC4M002-5C	TC4M002-4D	TC4M002-5D	535
		1200	100L	TC6M002-4C	TC6M002-5C	TC6M002-4D	TC6M002-5D	695
3	2.2	3600	90L	TC2M003-4C	TC2M003-5C	TC2M003-4D	TC2M003-5D	620
		1800	100L	TC4M003-4C	TC4M003-5C	TC4M003-4D	TC4M003-5D	670
		1200	112M	TC6M003-4C	TC6M003-5C	TC6M003-4D	TC6M003-5D	963
4	3	3600	100L	TC2M004-4C	TC2M004-5C	TC2M004-4D	TC2M004-5D	714
		1800	100L	TC4M004-4C	TC4M004-5C	TC4M004-4D	TC4M004-5D	726
		1200	132S	TC6M004-4C	TC6M004-5C	TC6M004-4D	TC6M004-5D	1191
5.5	4	3600	112M	TC2M5.5-4C	TC2M5.5-5C	TC2M5.5-4D	TC2M5.5-5D	912
		1800	112M	TC4M5.5-4C	TC4M5.5-5C	TC4M5.5-4D	TC4M5.5-5D	880
		1200	132MA	TC6M5.5-4C	TC6M5.5-5C	TC6M5.5-4D	TC6M5.5-5D	1357
7.5	5.5	3600	132SA	TC2M7.5-4C	TC2M7.5-5C	TC2M7.5-4D	TC2M7.5-5D	1165
		1800	132S	TC4M7.5-4C	TC4M7.5-5C	TC4M7.5-4D	TC4M7.5-5D	1165
		1200	132MB	TC6M7.5-4C	TC6M7.5-5C	TC6M7.5-4D	TC6M7.5-5D	1606
10	7.5	3600	132SB	TC2M010-4C	TC2M010-5C	TC2M010-4D	TC2M010-5D	1242
		1800	132M	TC4M010-4C	TC4M010-5C	TC4M010-4D	TC4M010-5D	1363
		1200	160M	TC6M010-4C	TC6M010-5C	TC6M010-4D	TC6M010-5D	2145
15	11	3600	160M	TC2M015-4C	TC2M015-5C	TC2M015-4D	TC2M015-5D	2029
		1800	160M	TC4M015-4C	TC4M015-5C	TC4M015-4D	TC4M015-5D	2029
		1200	160L	TC6M015-4C	TC6M015-5C	TC6M015-4D	TC6M015-5D	2691

NOTE: EPACT Efficiency Product
Is Subject To Availability



Discount Category **18**



IEC Frame
C Face/D Flange Mounted
3PH, 60 Hz
Cast Iron Construction
1 - 200HP

Performance - Page 64
 Dimensions - Pages 47-48

HP	KW	RPM	FRAME	C FLANGE		D FLANGE		LIST
				230/460V	575V	230/460V	575V	
20	15	3600	160M	TC2M020-4C	TC2M020-5C	TC2M020-4D	TC2M020-5D	2343
		1800	160L	TC4M020-4C	TC4M020-5C	TC4M020-4D	TC4M020-5D	2454
		1200	180L			TC6M020-4D	TC6M020-5D	3777
25	18.5	3600	160L	TC2M025-4C	TC2M025-5C	TC2M025-4D	TC2M025-5D	2804
		1800	180M			TC4M025-4D	TC4M025-5D	3154
		1200	200L			TC6M025-4D	TC6M025-5D	4919
30	22	3600	180M			TC2M030-4D	TC2M030-5D	3384
		1800	180L			TC4M030-4D	TC4M030-5D	3509
		1200	200L			TC6M030-4D	TC6M030-5D	6018
40	30	3600	200L			TC2M040-4D	TC2M040-5D	4854
		1800	200L			TC4M040-4D	TC4M040-5D	5194
		1200	225M			TC6M040-4D	TC6M040-5D	8073
50	37	3600	200L			TC2M050-4D	TC2M050-5D	6199
		1800	225S			TC4M050-4D	TC4M050-5D	7204
		1200	250M			TC6M050-4D	TC6M050-5D	11324
60	45	3600	225M			TC2M060-4D	TC2M060-5D	9025
		1800	225M			TC4M060-4D	TC4M060-5D	8359
		1200	280S			TC6M060-4D	TC6M060-5D	14457
75	55	3600	250M			TC2M075-4D	TC2M075-5D	11324
		1800	250M			TC4M075-4D	TC4M075-5D	10448
		1200	280M			TC6M075-4D	TC6M075-5D	18672
100	75	3600	280S			TC2M100-4D	TC2M100-5D	14457
		1800	280S			TC4M100-4D	TC4M100-5D	13264
		1200	280M			TC6M100-4D	TC6M100-5D	21235
125	90	3600	280M			TC2M125-9D	TC2M125-5D	19012
		1800	280M			TC4M125-9D	TC4M125-5D	17302
		1200	315M			TC6M125-9D	TC6M125-5D	28031
150	110	3600	315S			TC2M150-9D	TC2M150-5D	22014
		1800	315S			TC4M150-9D	TC4M150-5D	19664
		1200	315L			TC6M150-9D	TC6M150-5D	32244
200	150	3600	315L			TC2M200-9D	TC2M200-5D	33288
		1800	315L			TC4M200-9D	TC4M200-5D	28434

NOTE: Models ending in -9D are 460V

NOTE: EPACT Efficiency Product
 Is Subject To Availability

Discount Category **18**



NEMA 56 Frame

Performance - Page 65
Dimensions - Page 49-50

Foot Mounted ~ W Range
3PH, 60 Hz
Aluminum Construction
0.25 - 1.5HP



Features:

- Totally Enclosed Fan Cooled Enclosure
- IP55 degree of protection
- NEMA Design B
- Class F insulation
- Electrical Connection: 0.25 - 1.5HP connected Star (575v),
0.25 - 1.5HP (208-230/460) 9 leads Series Parallel Star.
- Service Factor 1.15
- C Faces available
- Flexible Conduit Box Location
(Available as Top, Right or Left Mounted)
- F1 to F2, F3 convertible
- Double Shielded Ball Bearings
- CSA Certified, CE marked
- CSA approved for Class I ; Division II ; Groups A,B,C & D,T3
- Warranty: 2 years

HP	RPM	FRAME	208-230/460V	575V	LIST
0.25	1800	56	FA4N.25-2	FA4N.25-5	\$278
	1200	56	FA6N.25-2	FA6N.25-5	335
	900	56	FA8N.25-2	FA8N.25-5	429
0.33	3600	56	FA2N.33-2	FA2N.33-5	282
	1800	56	FA4N.33-2	FA4N.33-5	289
	1200	56	FA6N.33-2	FA6N.33-5	383
	900	56	FA8N.33-2	FA8N.33-5	482
0.5	3600	56	FA2N.50-2	FA2N.50-5	299
	1800	56	FA4N.50-2	FA4N.50-5	299
	1200	56	FA6N.50-2	FA6N.50-5	406
	900	56	FA8N.50-2	FA8N.50-5	578
0.75	3600	56	FA2N.75-2	FA2N.75-5	333
	1800	56	FA4N.75-2	FA4N.75-5	311
	1200	56	FA6N.75-2	FA6N.75-5	442
1	3600	56	FA2N001-2	FA2N001-5	369
	1800	56	FA4N001-2	FA4N001-5	326
1.5	3600	56	FA2N1.5-2	FA2N1.5-5	409
	1800	56	FA4N1.5-2	FA4N1.5-5	342



Discount Category **10**



NEMA 56 Frame

Performance - Page 65
Dimensions - Page 49-50

C Face Mounted ~ W Range
3PH, 60 Hz
Aluminum Construction
0.25 - 1.5HP



HP	RPM	FRAME	C FACE MODELS		LIST
			208-230/460V	575V	
0.25	1800	56C	FA4N.25-2C	FA4N.25-5C	\$318
	1200	56C	FA6N.25-2C	FA6N.25-5C	375
	900	56C	FA8N.25-2C	FA8N.25-5C	474
0.33	3600	56C	FA2N.33-2C	FA2N.33-5C	322
	1800	56C	FA4N.33-2C	FA4N.33-5C	329
	1200	56C	FA6N.33-2C	FA6N.33-5C	423
	900	56C	FA8N.33-2C	FA8N.33-5C	527
0.5	3600	56C	FA2N.50-2C	FA2N.50-5C	339
	1800	56C	FA4N.50-2C	FA4N.50-5C	339
	1200	56C	FA6N.50-2C	FA6N.50-5C	446
	900	56C	FA8N.50-2C	FA8N.50-5C	628
0.75	3600	56C	FA2N.75-2C	FA2N.75-5C	373
	1800	56C	FA4N.75-2C	FA4N.75-5C	351
	1200	56C	FA6N.75-2C	FA6N.75-5C	482
1	3600	56C	FA2N001-2C	FA2N001-5C	409
	1800	56C	FA4N001-2C	FA4N001-5C	366
1.5	3600	56C	FA2N1.5-2C	FA2N1.5-5C	449
	1800	56C	FA4N1.5-2C	FA4N1.5-5C	382



Discount Category **10**



NEMA Frame

Performance - Page 65
Dimensions - Page 49-50

Foot Mounted ~ W Range
3PH, 60 Hz
Aluminum Construction
0.5 - 15 HP



EPACT
C.C. 047A

Features:

- Meets EPA Efficiency requirements
- Totally Enclosed Fan Cooled Enclosure
- IP55 degree of protection
- NEMA Design B
- Class F insulation
- Electrical Connection: 0.5 - 15HP connected Star (575v),
0.5 - 15HP (230/460 & 208/416v) 9 leads Series Parallel Star.
- Service Factor 1.15
- C & D Flanges available
- Flexible Conduit Box Location
(Available as Top, Right or Left Mounted)
- F1 to F2, F3 convertible
- Double drilled feet
- Double Shielded Ball Bearings
- CSA Certified, CE marked
- CSA approved for Class I ; Division II ; Groups A,B,C & D,T3
- Warranty: 2 years

HP	RPM	FRAME	208/416V	230/460V	575V	LIST
0.5	900	143T	WA8N.50-3	WA8N.50-4	WA8N.50-5	\$528
	1200	145T	WA6N.75-3	WA6N.75-4	WA6N.75-5	413
0.75	900	145T	WA8N.75-3	WA8N.75-4	WA8N.75-5	629
	1800	143T	WA4N001-3	WA4N001-4	WA4N001-5	400
1	1200	145T	WA6N001-3	WA6N001-4	WA6N001-5	486
	900	182T	WA8N001-3	WA8N001-4	WA8N001-5	830
1.5	3600	143T	WA2N1.5-3	WA2N1.5-4	WA2N1.5-5	438
	1800	145T	WA4N1.5-3	WA4N1.5-4	WA4N1.5-5	445
	1200	182T	WA6N1.5-3	WA6N1.5-4	WA6N1.5-5	573
	900	184T	WA8N1.5-3	WA8N1.5-4	WA8N1.5-5	900
2	3600	145T	WA2N002-3	WA2N002-4	WA2N002-5	458
	1800	145T	WA4N002-3	WA4N002-4	WA4N002-5	463
	1200	184T	WA6N002-3	WA6N002-4	WA6N002-5	630
	900	213T	WA8N002-3	WA8N002-4	WA8N002-5	1138
3	3600	145T	WA2N003-3S	WA2N003-4S	WA2N003-5S	583
	3600	182T	WA2N003-3	WA2N003-4	WA2N003-5	583
	1800	182T	WA4N003-3	WA4N003-4	WA4N003-5	592
	1200	213T	WA6N003-3	WA6N003-4	WA6N003-5	823
	900	215T	WA8N003-3	WA8N003-4	WA8N003-5	1364
5	3600	184T	WA2N005-3	WA2N005-4	WA2N005-5	742
	1800	184T	WA4N005-3	WA4N005-4	WA4N005-5	682
	1200	215T	WA6N005-3	WA6N005-4	WA6N005-5	1088
7.5	3600	184T	WA2N7.5-3S	WA2N7.5-4S	WA2N7.5-5S	1012
	3600	213T	WA2N7.5-3	WA2N7.5-4	WA2N7.5-5	1012
	1800	213T	WA4N7.5-3	WA4N7.5-4	WA4N7.5-5	920
10	3600	215T	WA2N010-3	WA2N010-4	WA2N010-5	1104
	1800	215T	WA4N010-3	WA4N010-4	WA4N010-5	1058
15	3600	215T	WA2N015-3S	WA2N015-4S	WA2N015-5S	1535

NOTE: EPACT Efficiency Product
Is Subject To Availability



Discount Category **15**



NEMA Frame

Performance - Page 65
Dimensions - Page 49-50

C Face - D Flange Mounted ~ W Range
3PH, 60 Hz
Aluminum Construction
0.5 - 15 HP



HP	RPM	FRAME	C FACE MODELS			D FLANGE MODELS			LIST
			208/416V	230/460V	575V	208/416V	230/460V	575V	
0.5	900	143T	WA8N.50-3C	WA8N.50-4C	WA8N.50-5C	WA8N.50-3D	WA8N.50-4D	WA8N.50-5D	\$593
	1200	145T	WA6N.75-3C	WA6N.75-4C	WA6N.75-5C	WA6N.75-3D	WA6N.75-4D	WA6N.75-5D	458
0.75	900	145T	WA8N.75-3C	WA8N.75-4C	WA8N.75-5C	WA8N.75-3D	WA8N.75-4D	WA8N.75-5D	694
	1800	143T	WA4N001-3C	WA4N001-4C	WA4N001-5C	WA4N001-3D	WA4N001-4D	WA4N001-5D	445
1	1200	145T	WA6N001-3C	WA6N001-4C	WA6N001-5C	WA6N001-3D	WA6N001-4D	WA6N001-5D	531
	900	182T	WA8N001-3C	WA8N001-4C	WA8N001-5C	WA8N001-3D	WA8N001-4D	WA8N001-5D	895
1.5	3600	143T	WA2N1.5-3C	WA2N1.5-4C	WA2N1.5-5C	WA2N1.5-3D	WA2N1.5-4D	WA2N1.5-5D	483
	1800	145T	WA4N1.5-3C	WA4N1.5-4C	WA4N1.5-5C	WA4N1.5-3D	WA4N1.5-4D	WA4N1.5-5D	490
	1200	182T	WA6N1.5-3C	WA6N1.5-4C	WA6N1.5-5C	WA6N1.5-3D	WA6N1.5-4D	WA6N1.5-5D	638
	900	184T	WA8N1.5-3C	WA8N1.5-4C	WA8N1.5-5C	WA8N1.5-3D	WA8N1.5-4D	WA8N1.5-5D	965
2	3600	145T	WA2N002-3C	WA2N002-4C	WA2N002-5C	WA2N002-3D	WA2N002-4D	WA2N002-5D	503
	1800	145T	WA4N002-3C	WA4N002-4C	WA4N002-5C	WA4N002-3D	WA4N002-4D	WA4N002-5D	508
	1200	184T	WA6N002-3C	WA6N002-4C	WA6N002-5C	WA6N002-3D	WA6N002-4D	WA6N002-5D	695
	900	213T	WA8N002-3C	WA8N002-4C	WA8N002-5C	WA8N002-3D	WA8N002-4D	WA8N002-5D	1238
3	3600	145T	WA2N003-3SC	WA2N003-4SC	WA2N003-5SC	WA2N003-3SD	WA2N003-4SD	WA2N003-5SD	648
	3600	182T	WA2N003-3C	WA2N003-4C	WA2N003-5C	WA2N003-3D	WA2N003-4D	WA2N003-5D	648
	1800	182T	WA4N003-3C	WA4N003-4C	WA4N003-5C	WA4N003-3D	WA4N003-4D	WA4N003-5D	657
	1200	213T	WA6N003-3C	WA6N003-4C	WA6N003-5C	WA6N003-3D	WA6N003-4D	WA6N003-5D	923
	900	215T	WA8N003-3C	WA8N003-4C	WA8N003-5C	WA8N003-3D	WA8N003-4D	WA8N003-5D	1464
5	3600	184T	WA2N005-3C	WA2N005-4C	WA2N005-5C	WA2N005-3D	WA2N005-4D	WA2N005-5D	807
	1800	184T	WA4N005-3C	WA4N005-4C	WA4N005-5C	WA4N005-3D	WA4N005-4D	WA4N005-5D	747
	1200	215T	WA6N005-3C	WA6N005-4C	WA6N005-5C	WA6N005-3D	WA6N005-4D	WA6N005-5D	1188
7.5	3600	184T	WA2N7.5-3SC	WA2N7.5-4SC	WA2N7.5-5SC	WA2N7.5-3SD	WA2N7.5-4SD	WA2N7.5-5SD	1112
	3600	213T	WA2N7.5-3C	WA2N7.5-4C	WA2N7.5-5C	WA2N7.5-3D	WA2N7.5-4D	WA2N7.5-5D	1112
	1800	213T	WA4N7.5-3C	WA4N7.5-4C	WA4N7.5-5C	WA4N7.5-3D	WA4N7.5-4D	WA4N7.5-5D	1020
10	3600	215T	WA2N010-3C	WA2N010-4C	WA2N010-5C	WA2N010-3D	WA2N010-4D	WA2N010-5D	1204
	1800	215T	WA4N010-3C	WA4N010-4C	WA4N010-5C	WA4N010-3D	WA4N010-4D	WA4N010-5D	1158
15	3600	215T	WA2N015-3SC	WA2N015-4SC	WA2N015-5SC	WA2N015-3SD	WA2N015-4SD	WA2N015-5SD	1675

NOTE: EPACT Efficiency Product
Is Subject To Availability



Discount Category **15**



IEC Frame

Performance - Page 66
Dimensions - Page 51-52

Foot Mounted ~ W Range
3PH, 60 Hz
Aluminum Construction
0.25 - 10HP



EPACT
C.C. 047A

Features:

- Motor meets EPACT Efficiency requirements
- Totally Enclosed Fan Cooled Enclosure
- IP55 degree of protection
- NEMA Design B
- Class F insulation
- Service Factor 1.15
- C & D Flanges available
- F2 to F1, F3 convertible
- Double Shielded Ball Bearings up to 132 frame
- CSA approved for Class I ; Division II ; Groups A,B,C,D & T3
- Warranty: 2 years

HP	KW	RPM	FRAME	208-230/460V	575V	LIST
0.25	0.18	3600	63	WA2M.25-2	WA2M.25-5	\$369
		1800	63	WA4M.25-2	WA4M.25-5	331
		1200	71	WA6M.25-2	WA6M.25-5	401
		900	80	WA8M.25-2	WA8M.25-5	429
0.33	0.25	3600	63	WA2M.33-2	WA2M.33-5	369
		1800	71	WA4M.33-2	WA4M.33-5	333
		1200	71	WA6M.33-2	WA6M.33-5	429
		900	80	WA8M.33-2	WA8M.33-5	482
0.5	0.37	3600	71	WA2M.50-2	WA2M.50-5	377
		1800	71	WA4M.50-2	WA4M.50-5	341
		1200	80	WA6M.50-2	WA6M.50-5	449
		900	90S	WA8M.50-2	WA8M.50-5	578
0.75	0.55	3600	71	WA2M.75-2	WA2M.75-5	385
		1800	80	WA4M.75-2	WA4M.75-5	395
		1200	80	WA6M.75-2	WA6M.75-5	480
		900	90L	WA8M.75-2	WA8M.75-5	609
1	0.75	3600	80	WA2M001-2	WA2M001-5	397
		1800	80	WA4M001-2	WA4M001-5	401
		1200	90S	WA6M001-2	WA6M001-5	502
		900	100L	WA8M001-2	WA8M001-5	641
1.5	1.1	3600	80	WA2M1.5-2	WA2M1.5-5	440
		1800	90L	WA4M1.5-2	WA4M1.5-5	457
		1200	90L	WA6M1.5-2	WA6M1.5-5	577
		900	100L	WA8M1.5-2	WA8M1.5-5	693
2	1.5	3600	90S	WA2M002-2	WA2M002-5	490
		1800	90L	WA4M002-2	WA4M002-5	485
		1200	100L	WA6M002-2	WA6M002-5	625
		900	112M	WA8M002-2	WA8M002-5	920
3	2.2	3600	90L	WA2M003-2	WA2M003-5	570
		1800	100L	WA4M003-2	WA4M003-5	600
		1200	112M	WA6M003-2	WA6M003-5	883
		900	132S	WA8M003-2	WA8M003-5	1204
4	3	3600	100L	WA2M004-2	WA2M004-5	644
		1800	100L	WA4M004-2	WA4M004-5	656
		1200	132M	WA6M004-2	WA6M004-5	1066
		900	132S	WA8M004-2	WA8M004-5	1464
5.5	4	3600	112M	WA2M5.5-2	WA2M5.5-5	832
		1800	112M	WA4M5.5-2	WA4M5.5-5	800
		1200	132M	WA6M5.5-2	WA6M5.5-5	1232
7.5	5.5	3600	132S	WA2M7.5-2	WA2M7.5-5	1040
		1800	132S	WA4M7.5-2	WA4M7.5-5	1040
		1200	132M	WA6M7.5-2	WA6M7.5-5	1481
10	7.5	3600	132S	WA2M010-2	WA2M010-5	1117
		1800	132M	WA4M010-2	WA4M010-5	1238

NOTE: EPACT Efficiency Product
Is Subject To Availability

Discount Category 17



IEC Frame

Performance - Page 66
Dimensions - Page 51-52

C Face/D Flange Mounted ~ W Range
3PH, 60 Hz
Aluminum Construction
0.25 - 10HP



HP	kW	RPM	FRAME	C FACE - WITH FEET		D FLANGE - WITH FEET		LIST
				208-230/460V	575V	208-230/460V	575V	
0.25	0.18	3600	63	WA2M.25-2C	WA2M.25-5C	WA2M.25-2D	WA2M.25-5D	\$409
		1800	63	WA4M.25-2C	WA4M.25-5C	WA4M.25-2D	WA4M.25-5D	371
		1200	71	WA6M.25-2C	WA6M.25-5C	WA6M.25-2D	WA6M.25-5D	441
		900	80	WA8M.25-2C	WA8M.25-5C	WA8M.25-2D	WA8M.25-5D	474
0.33	0.25	3600	63	WA2M.33-2C	WA2M.33-5C	WA2M.33-2D	WA2M.33-5D	409
		1800	71	WA4M.33-2C	WA4M.33-5C	WA4M.33-2D	WA4M.33-5D	373
		1200	71	WA6M.33-2C	WA6M.33-5C	WA6M.33-2D	WA6M.33-5D	469
		900	80	WA8M.33-2C	WA8M.33-5C	WA8M.33-2D	WA8M.33-5D	527
0.5	0.37	3600	71	WA2M.50-2C	WA2M.50-5C	WA2M.50-2D	WA2M.50-5D	417
		1800	71	WA4M.50-2C	WA4M.50-5C	WA4M.50-2D	WA4M.50-5D	381
		1200	80	WA6M.50-2C	WA6M.50-5C	WA6M.50-2D	WA6M.50-5D	494
		900	90S	WA8M.50-2C	WA8M.50-5C	WA8M.50-2D	WA8M.50-5D	628
0.75	0.55	3600	71	WA2M.75-2C	WA2M.75-5C	WA2M.75-2D	WA2M.75-5D	430
		1800	80	WA4M.75-2C	WA4M.75-5C	WA4M.75-2D	WA4M.75-5D	440
		1200	80	WA6M.75-2C	WA6M.75-5C	WA6M.75-2D	WA6M.75-5D	525
		900	90L	WA8M.75-2C	WA8M.75-5C	WA8M.75-2D	WA8M.75-5D	659
1	0.75	3600	80	WA2M001-2C	WA2M001-5C	WA2M001-2D	WA2M001-5D	442
		1800	80	WA4M001-2C	WA4M001-5C	WA4M001-2D	WA4M001-5D	446
		1200	90S	WA6M001-2C	WA6M001-5C	WA6M001-2D	WA6M001-5D	552
		900	100L	WA8M001-2C	WA8M001-5C	WA8M001-2D	WA8M001-5D	711
1.5	1.1	3600	80	WA2M1.5-2C	WA2M1.5-5C	WA2M1.5-2D	WA2M1.5-5D	485
		1800	90L	WA4M1.5-2C	WA4M1.5-5C	WA4M1.5-2D	WA4M1.5-5D	507
		1200	90L	WA6M1.5-2C	WA6M1.5-5C	WA6M1.5-2D	WA6M1.5-5D	627
		900	100L	WA8M1.5-2C	WA8M1.5-5C	WA8M1.5-2D	WA8M1.5-5D	763
2	1.5	3600	90S	WA2M002-2C	WA2M002-5C	WA2M002-2D	WA2M002-5D	540
		1800	90L	WA4M002-2C	WA4M002-5C	WA4M002-2D	WA4M002-5D	535
		1200	100L	WA6M002-2C	WA6M002-5C	WA6M002-2D	WA6M002-5D	695
		900	112M	WA8M002-2C	WA8M002-5C	WA8M002-2D	WA8M002-5D	1000
3	2.2	3600	90L	WA2M003-2C	WA2M003-5C	WA2M003-2D	WA2M003-5D	620
		1800	100L	WA4M003-2C	WA4M003-5C	WA4M003-2D	WA4M003-5D	670
		1200	112M	WA6M003-2C	WA6M003-5C	WA6M003-2D	WA6M003-5D	963
		900	132S	WA8M003-2C	WA8M003-5C	WA8M003-2D	WA8M003-5D	1329
4	3	3600	100L	WA2M004-2C	WA2M004-5C	WA2M004-2D	WA2M004-5D	714
		1800	100L	WA4M004-2C	WA4M004-5C	WA4M004-2D	WA4M004-5D	726
		1200	132M	WA6M004-2C	WA6M004-5C	WA6M004-2D	WA6M004-5D	1191
		900	132S	WA8M004-2C	WA8M004-5C	WA8M004-2D	WA8M004-5D	1589
5.5	4	3600	112M	WA2M5.5-2C	WA2M5.5-5C	WA2M5.5-2D	WA2M5.5-5D	912
		1800	112M	WA4M5.5-2C	WA4M5.5-5C	WA4M5.5-2D	WA4M5.5-5D	880
		1200	132M	WA6M5.5-2C	WA6M5.5-5C	WA6M5.5-2D	WA6M5.5-5D	1357
7.5	5.5	3600	132S	WA2M7.5-2C	WA2M7.5-5C	WA2M7.5-2D	WA2M7.5-5D	1165
		1800	132S	WA4M7.5-2C	WA4M7.5-5C	WA4M7.5-2D	WA4M7.5-5D	1165
		1200	132M	WA6M7.5-2C	WA6M7.5-5C	WA6M7.5-2D	WA6M7.5-5D	1606
10	7.5	3600	132S	WA2M010-2C	WA2M010-5C	WA2M010-2D	WA2M010-5D	1242
		1800	132M	WA4M010-2C	WA4M010-5C	WA4M010-2D	WA4M010-5D	1363

NOTE: EPACT Efficiency Product
Is Subject To Availability

Discount Category **17**



NEMA Frame

Performance - Page 67
Dimensions - Page 53-54

Foot Mounted

3PH, 60 Hz

Cast Iron Construction

1 - 300HP



EPACT
C.C. 039A

Features:

- UL/CSA Approved Class I Groups C&D Class II Groups E,F&G T3C
- IP55 degree of protection
- NEMA Design B performance
- Class F insulation
- Service Factor 1.15
- Dual rated 60 / 50 Hz
- C Face available
- Thermistors fitted as standard
- Double Shielded Ball Bearings 143 - 215T
- Regreasable bearings 254 - 449T
- Stainless Steel Nameplate
- F1 to F2 convertible
- Warranty: 2 years

HP	RPM	FRAME	208-230/460V	575V	LIST
1	1800	143T	NE4N001-2	NE4N001-5	616
	1200	145T	NE6N001-2	NE6N001-5	673
1.5	3600	143T	NE2N1.5-2	NE2N1.5-5	625
	1800	145T	NE4N1.5-2	NE4N1.5-5	673
2	1200	182T	NE6N1.5-2	NE6N1.5-5	770
	3600	145T	NE2N002-2	NE2N002-5	704
	1800	145T	NE4N002-2	NE4N002-5	770
3	1200	184T	NE6N002-2	NE6N002-5	972
	3600	182T	NE2N003-2	NE2N003-5	889
5	1800	182T	NE4N003-2	NE4N003-5	933
	1200	213T	NE6N003-2	NE6N003-5	1144
	3600	184T	NE2N005-2	NE2N005-5	110
7.5	1800	184T	NE4N005-2	NE4N005-5	1104
	1200	215T	NE6N005-2	NE6N005-5	1518
	3600	213T	NE2N7.5-2	NE2N7.5-5	1307
10	1800	213T	NE4N7.5-2	NE4N7.5-5	1448
	1200	254T	NE6N7.5-2	NE6N7.5-5	1786
	3600	215T	NE2N010-2	NE2N010-5	1514
15	1800	215T	NE4N010-2	NE4N010-5	1580
	1200	256T	NE6N010-2	NE6N010-5	2213
	3600	254T	NE2N015-2	NE2N015-5	2121
20	1800	254T	NE4N015-2	NE4N015-5	2121
	1200	284T	NE6N015-2	NE6N015-5	2772
	3600	256T	NE2N020-2	NE2N020-5	2336
25	1800	256T	NE4N020-2	NE4N020-5	2424
	1200	286T	NE6N020-2	NE6N020-5	3520
	3600	284TS	NE2N025-2	NE2N025-5	2970
25	1800	284T	NE4N025-2	NE4N025-5	2930
	1200	324T	NE6N025-2	NE6N025-5	4246

NOTE: EPACT Efficiency Product
Is Subject To Availability

Discount Category **20**



NEMA Frame

Foot Mounted

3PH, 60 Hz

Cast Iron Construction

1 - 300HP

Performance - Page 67
Dimensions - Page 53-54

HP	RPM	FRAME	208-230/460V	575V	LIST
30	3600	286TS	NE2N030-2	NE2N030-5	3445
	1800	284T	NE4N030-2	NE4N030-5	3428
	1200	326T	NE6N030-2	NE6N030-5	5078
40	3600	324TS	NE2N040-2	NE2N040-5	4352
	1800	324T	NE4N040-2	NE4N040-5	4514
	1200	364T	NE6N040-2	NE6N040-5	6340
50	3600	326TS	NE2N050-2	NE2N050-5	5645
	1800	326T	NE4N050-2	NE4N050-5	5386
	1200	365T	NE6N050-2	NE6N050-5	7410
60	3600	364TS	NE2N060-2	NE2N060-5	6670
	1800	364T	NE4N060-2	NE4N060-5	6670
	1200	404T	NE6N060-2	NE6N060-5	9222
75	3600	365TS	NE2N075-2	NE2N075-5	8567
	1800	365T	NE4N075-2	NE4N075-5	8030
	1200	405T	NE6N075-2	NE6N075-5	10538
100	3600	405TS	NE2N100-2	NE2N100-5	10261
	1800	405T	NE4N100-2	NE4N100-5	10182
	1200	444T	NE6N100-2	NE6N100-5	15061
125	3600	444TS	NE2N125-9	NE2N125-5	13125
	1800	444T	NE4N125-9	NE4N125-5	14304
	1200	445T	NE6N125-9	NE6N125-5	17802
150	3600	445TS	NE2N150-9	NE2N150-5	17889
	1800	445T	NE4N150-9	NE4N150-5	19224
	1200	447T	NE6N150-9	NE6N150-5	24702
200	3600	445TS	NE2N200-9	NE2N200-5	24719
	1800	447T	NE4N200-9	NE4N200-5	24719
	1200	447T	NE6N200-9	NE6N200-5	37796
250	3600	447TS	NE2N250-9	NE2N250-5	34980
	1800	447T	NE4N250-9	NE4N250-5	34980
	1200	449T	NE6N250-9	NE6N250-5	41461
300	3600	449TS	NE2N300-9	NE2N300-5	41466
	1800	449T	NE4N300-9	NE4N300-5	41466

NOTE: Models ending in -9 are 460V

NOTE: EPACK Efficiency Product
Is Subject To Availability

Discount Category **20**

NEMA Frame

Performance - Page 67
Dimensions - Page 53-54

C Face Mounted

3PH, 60 Hz

Cast Iron Construction

1 - 300HP



EPACT
C.C. 039A

Features:

- UL/CSA Approved Class I Groups C&D Class II Groups E,F&G T3C
- IP55 degree of protection
- NEMA Design B performance
- Class F insulation
- Service Factor 1.15
- Dual rated 60 / 50 Hz
- Thermistors fitted as standard
- Double Shielded Ball Bearings 143 - 215T
- Regreasable bearings 254 - 449T
- Stainless Steel Nameplate
- F1 to F2 convertible
- Warranty: 2 years

HP	RPM	FRAME	208-230/460V	575V	LIST
1	1800	143TC	NE4N001-2C	NE4N001-5C	647
	1200	145TC	NE6N001-2C	NE6N001-5C	707
1.5	3600	143TC	NE2N1.5-2C	NE2N1.5-5C	656
	1800	145TC	NE4N1.5-2C	NE4N1.5-5C	707
2	1200	182TC	NE6N1.5-2C	NE6N1.5-5C	809
	3600	145TC	NE2N002-2C	NE2N002-5C	739
	1800	145TC	NE4N002-2C	NE4N002-5C	809
3	1200	184TC	NE6N002-2C	NE6N002-5C	1021
	3600	182TC	NE2N003-2C	NE2N003-5C	933
	1800	182TC	NE4N003-2C	NE4N003-5C	979
5	1200	213TC	NE6N003-2C	NE6N003-5C	1201
	3600	184TC	NE2N005-2C	NE2N005-5C	1160
	1800	184TC	NE4N005-2C	NE4N005-5C	1160
7.5	1200	215TC	NE6N005-2C	NE6N005-5C	1594
	3600	213TC	NE2N7.5-2C	NE2N7.5-5C	1372
	1800	213TC	NE4N7.5-2C	NE4N7.5-5C	1520
10	1200	254TC	NE6N7.5-2C	NE6N7.5-5C	1876
	3600	215TC	NE2N010-2C	NE2N010-5C	1589
	1800	215TC	NE4N010-2C	NE4N010-5C	1659
15	1200	256TC	NE6N010-2C	NE6N010-5C	2324
	3600	254TC	NE2N015-2C	NE2N015-5C	2227
	1800	254TC	NE4N015-2C	NE4N015-5C	2227
20	1200	284TC	NE6N015-2C	NE6N015-5C	2911
	3600	256TC	NE2N020-2C	NE2N020-5C	2453
	1800	256TC	NE4N020-2C	NE4N020-5C	2546
25	1200	286TC	NE6N020-2C	NE6N020-5C	3696
	3600	284TSC	NE2N025-2C	NE2N025-5C	3119
	1800	284TC	NE4N025-2C	NE4N025-5C	3077
	1200	324TC	NE6N025-2C	NE6N025-5C	4458

NOTE: EPACT Efficiency Product
Is Subject To Availability

Discount Category **20**

NEMA Frame

C Face Mounted

3PH, 60 Hz

Cast Iron Construction

1 - 300HP

Performance - Page 67
Dimensions - Page 53-54

HP	RPM	FRAME	208-230/460V	575V	LIST
30	3600	286TSC	NE2N030-2C	NE2N030-5C	3617
	1800	284TC	NE4N030-2C	NE4N030-5C	3599
	1200	326TC	NE6N030-2C	NE6N030-5C	5331
40	3600	324TSC	NE2N040-2C	NE2N040-5C	4569
	1800	324TC	NE4N040-2C	NE4N040-5C	4740
	1200	364TC	NE6N040-2C	NE6N040-5C	6657
50	3600	326TSC	NE2N050-2C	NE2N050-5C	5927
	1800	326TC	NE4N050-2C	NE4N050-5C	5655
	1200	365TC	NE6N050-2C	NE6N050-5C	7780
60	3600	364TSC	NE2N060-2C	NE2N060-5C	7004
	1800	364TC	NE4N060-2C	NE4N060-5C	7004
	1200	404TC	NE6N060-2C	NE6N060-5C	9684
75	3600	365TSC	NE2N075-2C	NE2N075-5C	8995
	1800	365TC	NE4N075-2C	NE4N075-5C	8432
	1200	405TC	NE6N075-2C	NE6N075-5C	11065
100	3600	405TSC	NE2N100-2C	NE2N100-5C	10774
	1800	405TC	NE4N100-2C	NE4N100-5C	10691
	1200	444TC	NE6N100-2C	NE6N100-5C	15814
125	3600	444TSC	NE2N125-9C	NE2N125-5C	13781
	1800	444TC	NE4N125-9C	NE4N125-5C	15020
	1200	445TC	NE6N125-9C	NE6N125-5C	18693
150	3600	445TSC	NE2N150-9C	NE2N150-5C	18679
	1800	445TC	NE4N150-9C	NE4N150-5C	20185
	1200	447TC	NE6N150-9C	NE6N150-5C	25937
200	3600	445TSC	NE2N200-9C	NE2N200-5C	25955
	1800	447TC	NE4N200-9C	NE4N200-5C	25955
	1200	447TC	NE6N200-9C	NE6N200-5C	39686
250	3600	447TSC	NE2N250-9C	NE2N250-5C	36729
	1800	447TC	NE4N250-9C	NE4N250-5C	36729
	1200	449TC	NE6N250-9C	NE6N250-5C	43534
300	3600	449TSC	NE2N300-9C	NE2N300-5C	43539
	1800	449TC	NE4N300-9C	NE4N300-5C	43539

NOTE: Models ending in -9C are 460V

NOTE: EPACT Efficiency Product
Is Subject To Availability

Discount Category **20**



IEC Frame Foot Mounted

380-415/440-480V, 3PH, 50/60 Hz
Cast Iron Construction
1- 200HP

Performance - Page 68
Dimensions - Page 55-56



Features:

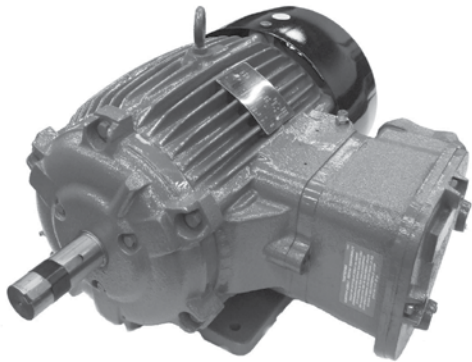
- Motors comply with CENELEC/EURONORM Standards EN60079
- Certified by BASEEFA / ATEX
- Zone 1, Groups IIA & IIB
- Totally Enclosed Fan Cooled Enclosure
- All motors suitable for T4 applications
- Cast Iron Construction
- Class F insulation
- Service Factor 1.0 50Hz
- C & D Flanges available
- F2 to F1 convertible
- Warranty: 2 years

HP	Kw	RPM	FRAME	380-415V	List
1	0.75	1500	EF90S	258E205C-00	\$1800
		1000	EF90S	258E305C-00	1850
1.5	1.1	3000	EF90S	258E106C-00	1870
		1500	EF90S	258E206C-00	2036
		1000	EF90L	258E306C-00	2236
2	1.5	3000	EF90S	258E107C-00	1880
		1500	EF90L	258E207C-00	2076
		1000	EF100L	258E307C-00	2116
3	2.2	3000	EF90L	258E108C-00	2186
		1500	EF100L	258E208C-00	2236
		1000	EF112M	258E308C-00	2736
4	3	3000	EF100L	258E100C-00	2366
		1500	EF100L	258E200C-00	2584
		1000	EF132S	258E300C-00	3680
5.5	4	3000	EF112M	258E109C-00	2930
		1500	EF112M	258E209C-00	2950
		1000	EF132M	258E309C-00	3950
7.5	5.5	3000	EF132S	258E110C-00	3430
		1500	EF132S	258E210C-00	3680
		1000	EF132M	258E310C-00	4090
10	7.5	3000	EF132S	258E111C-00	4310
		1500	EF132M	258E211C-00	4330
		1000	EF160M	258E311C-00	4660
15	11	3000	EF160M	258E112C-00	5014
		1500	EF160M	258E212C-00	5114
		1000	EF160L	258E312C-00	5156
20	15	3000	EF160M	258E113C-00	5406
		1500	EF160L	258E213C-00	5556
		1000	EF180L	258E313C-00	7496
25	18.5	3000	EF160L	258E114C-00	6598
		1500	EF180M	258E214C-00	6800
		1000	EF200L	358E314WC-00	9736
30	22	3000	EF180M	258E115C-00	7960
		1500	EF180L	258E215C-00	7496
		1000	EF200L	358E315WC-00	11540
40	30	3000	EF200L	358E116WC-00	9890
		1500	EF200L	358E216WC-00	9740
		1000	EF225M	358E316WC-00	16360

NOTE: For Export Only

Discount Category **21**

Performance - Page 68
Dimensions - Page 55-56



IEC Frame

Foot Mounted

380-415/440-480V, 3PH, 50/60 Hz

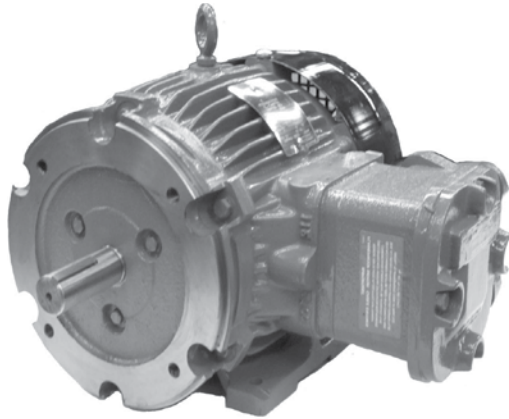
Cast Iron Construction

1- 200HP

HP	Kw	RPM	FRAME	380-415V	List
50	37	3000	EF200L	358E117WC-00	\$12080
		1500	EF225S	358E217WC-00	12900
		1000	EF250S	358E317WC-00	17140
60	45	3000	EF225M	358E118WC-00	20700
		1500	EF225M	358E218WC-00	16360
		1000	EF250M	358E318WC-00	27780
75	55	3000	EF250S	358E119WC-00	27250
		1500	EF250S	358E219WC-00	20950
		1000	EF280S	358E319WC-00	36220
100	75	3000	EF250M	358E120WC-00	37340
		1500	EF250M	358E220WC-00	27780
		1000	EF280M	358E320WC-00	41260
125	90	3000	EF280S	358E121WC-00	46220
		1500	EF280S	358E221WC-00	36220
		1000	EF315S	358E321WC-00	50100
150	110	3000	EF280M	358E122WC-00	55230
		1500	EF280M	358E222WC-00	41260
		1000	EF315M	358E322WC-00	54650
200	150	3000	EF315M	358E123WC-00	74480
		1500	EF315M	358E223WC-00	54650

NOTE: For Export Only

Discount Category **21**



IEC Frame

C Face/D Flange Mounted

380-415/440-480V, 3PH, 50/60 Hz

Cast Iron Construction

1- 200HP

Performance - Page 68

Dimensions - Page 55-56



Features:

- Motors comply with CENELEC/EURONORM Standards EN60079
- Certified by BASEEFA / ATEX
- Zone 1, Groups IIA & IIB
- Totally Enclosed Fan Cooled Enclosure
- All motors suitable for T4 applications
- Cast Iron Construction
- Class F insulation
- Service Factor 1.0 50Hz
- C & D Flanges available
- F2 to F1 convertible
- Warranty: 2 years

HP	Kw	RPM	FRAME	C FACE	D FLANGE	List
1	0.75	1500	EF90S	258E205C-02	258E205C-04	\$2248
		1000	EF90S	258E305C-02	258E305C-04	2298
1.5	1.1	3000	EF90S	258E106C-02	258E106C-04	2318
		1500	EF90S	258E206C-02	258E206C-04	2484
		1000	EF90L	258E306C-02	258E306C-04	2684
2	1.5	3000	EF90S	258E107C-02	258E107C-04	2328
		1500	EF90S	258E207C-02	258E207C-04	2524
		1000	EF100L	258E307C-02	258E307C-04	2600
3	2.2	3000	EF90L	258E108C-02	258E108C-04	2634
		1500	EF100L	258E208C-02	258E208C-04	2720
		1000	EF112M	258E308C-02	258E308C-04	3220
4	3	3000	EF100L	258E100C-02	258E100C-04	2850
		1500	EF100L	258E200C-02	258E200C-04	3068
		1000	EF132S	258E300C-02	258E300C-04	4230
5.5	4	3000	EF112M	258E109C-02	258E109C-04	3414
		1500	EF112M	258E209C-02	258E209C-04	3434
		1000	EF132M	258E309C-02	258E309C-04	4500
7.5	5.5	3000	EF132S	258E110C-02	258E110C-04	3980
		1500	EF132S	258E210C-02	258E210C-04	4230
		1000	EF132M	258E310C-02	258E310C-04	4640
10	7.5	3000	EF132S	258E111C-02	258E111C-04	4860
		1500	EF132M	258E211C-02	258E211C-04	4880
		1000	EF160M	258E311C-02	258E311C-04	5684
15	11	3000	EF160M	258E112C-02	258E112C-04	6038
		1500	EF160M	258E212C-02	258E212C-04	6138
		1000	EF160L	258E312C-02	258E312C-04	6180
20	15	3000	EF160M	258E113C-02	258E113C-04	6430
		1500	EF160L	258E213C-02	258E213C-04	6580
		1000	EF180L		258E313C-04	8706
25	18.5	3000	EF160L	258E114C-02	258E114C-04	7622
		1500	EF180M		258E214C-04	8010
		1000	EF200L		358E314WC-04	11846
30	22	3000	EF180M		258E115C-04	9170
		1500	EF180L		258E215C-04	8706
		1000	EF200L		358E315WC-04	13650
40	30	3000	EF200L		358E116WC-04	12000
		1500	EF200L		358E216WC-04	11850
		1000	EF225M		358E316WC-04	19092

NOTE: For Export Only

Discount Category **21**



**IEC Frame
D Flange Mounted
380-415/440-480V, 3PH, 50/60Hz
Cast Iron Construction
1- 200HP**

Performance - Page 68
Dimensions - Page 55-56

HP	Kw	RPM	FRAME	D FLANGE	List
50	37	3000	EF200L	358E117WC-04	\$14190
		1500	EF225S	358E217WC-04	15632
		1000	EF250S	358E317WC-04	19934
60	45	3000	EF225M	358E118WC-04	23432
		1500	EF225M	358E218WC-04	19092
		1000	EF250M	358E318WC-04	30574
75	55	3000	EF250S	358E119WC-04	30044
		1500	EF250S	358E219WC-04	23744
		1000	EF280S	358E319WC-04	39396
100	75	3000	EF250M	358E120WC-04	40134
		1500	EF250M	358E220WC-04	30574
		1000	EF280M	358E320WC-04	44436
125	90	3000	EF280S	358E121WC-04	49396
		1500	EF280S	358E221WC-04	39396
		1000	EF315S	358E321WC-04	53680
150	110	3000	EF280M	358E122WC-04	58406
		1500	EF280M	358E222WC-04	44436
		1000	EF315M	358E322WC-04	58230
200	150	3000	EF315M	358E123WC-04	78060
		1500	EF315M	358E223WC-04	58230

NOTE: For Export Only



IEC Frame Foot Mounted

380-415/440-480V, 3PH, 50/60 Hz
Cast Iron Construction
1- 200HP

Performance - Page 69
Dimensions - Page 57-58



Features:

- Motors comply with CENELEC/EURONORM Standards EN60079
- Certified by BASEEFA / ATEX
- Zone 2, Group II T3 non sparking
- Totally Enclosed Fan Cooled Enclosure
- Cast Iron Construction
- Class F insulation
- C & D Flanges available
- F2 to F1, F3 convertible
- Warranty: 2 years

HP	Kw	RPM	FRAME	380-415V	List
1	0.75	1500	W-DF80M	287E205WC-00	1440
		1000	W-DF90S	287E305WC-00	1480
1.5	1.1	3000	W-DF80M	287E106WC-00	1496
		1500	W-DF90S	287E206WC-00	1629
		1000	W-DF90L	287E306WC-00	1789
2	1.5	3000	W-DF90S	287E107WC-00	1504
		1500	W-DF90L	287E207WC-00	1661
		1000	W-DF100L	287E307WC-00	1692
3	2.2	3000	W-DF90L	287E108WC-00	1749
		1500	W-DF100L	287E208WC-00	1789
		1000	W-DF112M	287E308WC-00	2189
4	3	3000	W-DF100L	287E100WC-00	1893
		1500	W-DF100L	287E200WC-00	2067
		1000	W-DF132S	287E300WC-00	2944
5.5	4	3000	W-DF112M	287E109WC-00	2344
		1500	W-DF112M	287E209WC-00	2360
		1000	W-DF132M	287E309WC-00	3160
7.5	5.5	3000	W-DF132S	287E110WC-00	2744
		1500	W-DF132S	287E210WC-00	2944
		1000	W-DF132M	287E310WC-00	3272
10	7.5	3000	W-DF132S	287E111WC-00	3448
		1500	W-DF132M	287E211WC-00	3464
		1000	W-DF160M	287E311WC-00	3728
15	11	3000	W-DF160M	287E112WC-00	4011
		1500	W-DF160M	287E212WC-00	4091
		1000	W-DF160L	287E312WC-00	4125
20	15	3000	W-DF160M	287E113WC-00	4325
		1500	W-DF160L	287E213WC-00	4445
		1000	W-DF180L	287E313WC-00	5997
25	18.5	3000	W-DF160L	287E114WC-00	5279
		1500	W-DF180M	287E214WC-00	5440
		1000	W-DF200L	367E314WC-00	7889
30	22	3000	W-DF180M	287E115WC-00	6368
		1500	W-DF180L	287E215WC-00	5997
		1000	W-DF200L	367E315WC-00	9232
40	30	3000	W-DF200L	367E116WC-00	7912
		1500	W-DF200L	367E216WC-00	7792
		1000	W-DF225M	367E316WC-00	13088

NOTE: For Export Only

Discount Category **18**



IEC Frame

Foot Mounted

380-415/440-480V, 3PH, 50/60 Hz

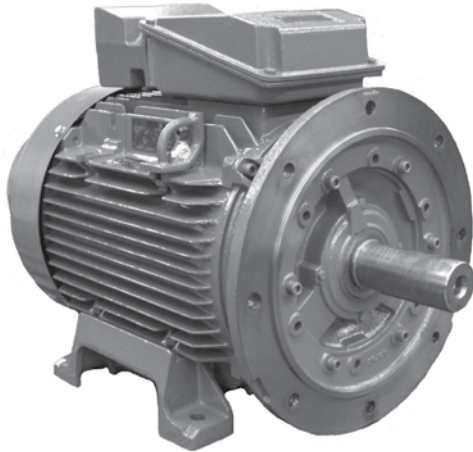
Cast Iron Construction

1- 200HP

Performance - Page 69
Dimensions - Page 57-58

HP	Kw	RPM	FRAME	380-415V	List
50	37	3000	W-DF200L	367E117WC-00	9664
		1500	W-DF225S	367E217WC-00	10320
		1000	W-DF250S	367E317WC-00	13712
60	45	3000	W-DF225M	367E118WC-00	16560
		1500	W-DF225M	367E218WC-00	13088
		1000	W-DF250M	367E318WC-00	22224
75	55	3000	W-DF250S	367E119WC-00	21800
		1500	W-DF250S	367E219WC-00	16760
		1000	W-DF280S	367E319WC-00	28976
100	75	3000	W-DF250M	367E120WC-00	29872
		1500	W-DF250M	367E220WC-00	22224
		1000	W-DF280M	367E320WC-00	33008
125	90	3000	W-DF280S	367E121WC-00	36976
		1500	W-DF280S	367E221WC-00	28976
		1000	W-DF315S	367E321WC-00	40080
150	110	3000	W-DF280M	367E122WC-00	44184
		1500	W-DF280M	367E222WC-00	33008
		1000	W-DF315M	367E322WC-00	43720
200	150	3000	W-DF315M	367E123WC-00	59584
		1500	W-DF315M	367E223WC-00	43720

NOTE: For Export Only



IEC Frame

Flange Mounted

380-415/440-480V, 3PH, 50/60 Hz

Cast Iron Construction

1- 200HP

Performance - Page 69

Dimensions - Page 57-58

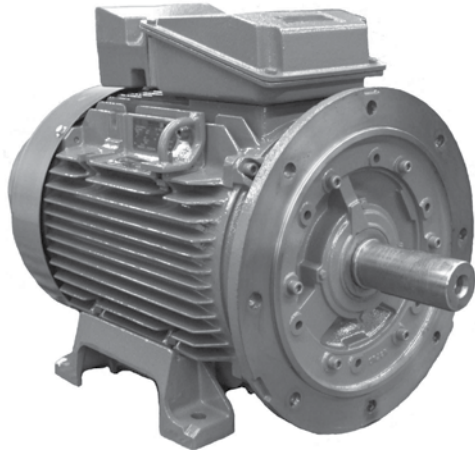


Features:

- Motors comply with CENELEC/EURONORM Standards EN60079
- Certified by BASEEFA / ATEX
- Zone 2, Group II T3 non sparking
- Totally Enclosed Fan Cooled Enclosure
- Cast Iron Construction
- Class F insulation
- F2 to F1, F3 convertible
- Warranty: 2 years

HP	Kw	RPM	FRAME	C FACE	D FLANGE	List
1	0.75	1500	W-DF90S	287E205WC-02	287E205WC-04	1798
		1000	W-DF90S	287E305WC-02	287E305WC-04	1838
1.5	1.1	3000	W-DF90S	287E106WC-02	287E106WC-04	1855
		1500	W-DF90S	287E206WC-02	287E206WC-04	1987
		1000	W-DF90L	287E306WC-02	287E306WC-04	2147
2	1.5	3000	W-DF90S	287E107WC-02	287E107WC-04	1862
		1500	W-DF90S	287E207WC-02	287E207WC-04	2019
		1000	W-DF100L	287E307WC-02	287E307WC-04	2080
3	2.2	3000	W-DF90L	287E108WC-02	287E108WC-04	2107
		1500	W-DF100L	287E208WC-02	287E208WC-04	2176
		1000	W-DF112M	287E308WC-02	287E308WC-04	2576
4	3	3000	W-DF100L	287E100WC-02	287E100WC-04	2280
		1500	W-DF100L	287E200WC-02	287E200WC-04	2455
		1000	W-DF132S	287E300WC-02	287E300WC-04	3384
5.5	4	3000	W-DF112M	287E109WC-02	287E109WC-04	2732
		1500	W-DF112M	287E209WC-02	287E209WC-04	2747
		1000	W-DF132M	287E309WC-02	287E309WC-04	3600
7.5	5.5	3000	W-DF132S	287E110WC-02	287E110WC-04	3184
		1500	W-DF132S	287E210WC-02	287E210WC-04	3384
		1000	W-DF132M	287E310WC-02	287E310WC-04	3712
10	7.5	3000	W-DF132S	287E111WC-02	287E111WC-04	3888
		1500	W-DF132M	287E211WC-02	287E211WC-04	3904
		1000	W-DF160M	287E311WC-02	287E311WC-04	4547
15	11	3000	W-DF160M	287E112WC-02	287E112WC-04	4830
		1500	W-DF160M	287E212WC-02	287E212WC-04	4910
		1000	W-DF160L	287E312WC-02	287E312WC-04	4944
20	15	3000	W-DF160M	287E113WC-02	287E113WC-04	5144
		1500	W-DF160L	287E213WC-02	287E213WC-04	5264
		1000	W-DF180L		287E313WC-04	6965
25	18.5	3000	W-DF160L	287E114WC-02	287E114WC-04	6098
		1500	W-DF180M		287E214WC-04	6408
		1000	W-DF200L		367E314WC-04	9477
30	22	3000	W-DF180M		287E115WC-04	7336
		1500	W-DF180L		287E215WC-04	6965
		1000	W-DF200L		367E315WC-04	10920
40	30	3000	W-DF200L		367E116WC-04	9600
		1500	W-DF200L		367E216WC-04	9480
		1000	W-DF225M		367E316WC-04	15274

NOTE: For Export Only



**IEC Frame
Flange Mounted
380-415/440-480V, 3PH, 50/60Hz
Cast Iron Construction
1- 200HP**

Performance - Page 69
Dimensions - Page 57-58

HP	Kw	RPM	FRAME	D FLANGE	List
50	37	3000	W-DF200L	367E117WC-04	11352
		1500	W-DF225S	367E217WC-04	12507
		1000	W-DF250S	367E317WC-04	15948
60	45	3000	W-DF225M	367E118WC-04	18746
		1500	W-DF225M	367E218WC-04	15274
		1000	W-DF250M	367E318WC-04	24460
75	55	3000	W-DF250S	367E119WC-04	24035
		1500	W-DF250S	367E219WC-04	18996
		1000	W-DF280S	367E319WC-04	31512
100	75	3000	W-DF250M	367E120WC-04	32107
		1500	W-DF250M	367E220WC-04	24460
		1000	W-DF280M	367E320WC-04	35549
125	90	3000	W-DF280S	367E121WC-04	39517
		1500	W-DF280S	367E221WC-04	31517
		1000	W-DF315S	367E321WC-04	42944
150	110	3000	W-DF280M	367E122WC-04	46725
		1500	W-DF280M	367E222WC-04	35549
		1000	W-DF315M	367E322WC-04	46584
200	150	3000	W-DF315M	367E123WC-04	62448
		1500	W-DF315M	367E223WC-04	46584

NOTE: For Export Only



NEMA Frame Foot Mounted & C Flange Mounted 3PH, 60 Hz Aluminum Construction 0.5 - 10HP

Performance - Page 65
Dimensions - Pages 49-50
Plus Additional Length
shown below

FOOT MOUNTED						
HP	RPM	FRAME	BRAKE FT. LBS	VOLTAGE		LIST
				230/460*	575	
0.5	1800	56	1.8	FA4N.50-2BRK	FA4N.50-5BRK	\$974
0.75	1800	56	4.8	FA4N.75-2BRK	FA4N.75-5BRK	1067
1	1800	56	6	FA4N001-2BRK	FA4N001-5BRK	1157
1	1800	143T	11	WA4N001-4BRK	WA4N001-5BRK	1137
1.5	1800	145T	11	WA4N1.5-4BRK	WA4N1.5-5BRK	1175
2	1800	145T	11	WA4N002-4BRK	WA4N002-5BRK	1211
3	1800	182T	27.7	WA4N003-4BRK	WA4N003-5BRK	1992
5	1800	184T	27.7	WA4N005-4BRK	WA4N005-5BRK	2182
7.5	1800	213T	59.9	WA4N7.5-4BRK	WA4N7.5-5BRK	2509
10	1800	215T	59.9	WA4N010-4BRK	WA4N010-5BRK	2892

***56 FRAME SUPPLIED ~ 208-230/460 VOLT**

C FACE MOUNTED						
HP	RPM	FRAME	BRAKE FT. LBS	VOLTAGE		LIST
				230/460*	575	
0.5	1800	56	1.8	FA4N.50-2CBRK	FA4N.50-5CBRK	\$1026
0.75	1800	56	4.8	FA4N.75-2CBRK	FA4N.75-5CBRK	1119
1	1800	56	6	FA4N001-2CBRK	FA4N001-5CBRK	1209
1	1800	143T	11	WA4N001-4CBRK	WA4N001-5CBRK	1179
1.5	1800	145T	11	WA4N1.5-4CBRK	WA4N1.5-5CBRK	1250
2	1800	145T	11	WA4N002-4CBRK	WA4N002-5CBRK	1309
3	1800	182T	27.7	WA4N003-4CBRK	WA4N003-5CBRK	2097
5	1800	184T	27.7	WA4N005-4CBRK	WA4N005-5CBRK	2268
7.5	1800	213T	59.9	WA4N7.5-4CBRK	WA4N7.5-5CBRK	2606
10	1800	215T	59.9	WA4N010-4CBRK	WA4N010-5CBRK	2987

***56 FRAME SUPPLIED ~ 208-230/460 VOLT**

NOTE: All 230/460 volt motors supplied with 230 volt coil on brake.
- 575 volt motors supplied with 575 volt coil.

* Dimensionally motors are the same as shown on Page 37 & 38 with the exception of the 'C' dimension which is increased as follows



NOTE: EPACT Efficiency Product
Is Subject To Availability

Frame Size	Additional Length (Inches)
56	2.875"
143/5T	4.0"
182/4T	3.5"
213/5T	3.75"

Discount Category **15**



**IEC Frame
Foot Mounted &
Flange Mounted
3PH, 60 Hz
Aluminum Construction
0.5 - 10HP**

*Performance - Page 66
Dimensions - Pages 51-52
**Plus Additional Length
shown below***

FOOT MOUNTED						
HP	RPM	FRAME	BRAKE FT. LBS	VOLTAGE		LIST
				208-230/460	575	
0.5	1800	71	1.8	WA4M.50-2BRK	WA4M.50-5BRK	\$1208
0.75	1800	80	4.8	WA4M.75-2BRK	WA4M.75-5BRK	1325
1	1800	80	6	WA4M001-2BRK	WA4M001-5BRK	1436
1.5	1800	90S	11	WA4M1.5-2BRK	WA4M1.5-5BRK	1535
2	1800	90L	11	WA4M002-2BRK	WA4M002-5BRK	1615
3	1800	100L	27.7	WA4M003-2BRK	WA4M003-5BRK	2530
5.5	1800	112M	27.7	WA4M5.5-2BRK	WA4M5.5-5BRK	2913
7.5	1800	132S	59.9	WA4M7.5-2BRK	WA4M7.5-5BRK	3288
10	1800	132M	59.9	WA4M010-2BRK	WA4M010-5BRK	3870

C or D FLANGE MOUNTED						
HP	RPM	FRAME	BRAKE FT. LBS	VOLTAGE		LIST
				208-230/460	575	
0.5	1800	71	1.8	WA4M.50-2CBRK	WA4M.50-5CBRK	\$1275
0.75	1800	80	4.8	WA4M.75-2CBRK	WA4M.75-5CBRK	1388
1	1800	80	6	WA4M001-2CBRK	WA4M001-5CBRK	1503
1.5	1800	90S	11	WA4M1.5-2CBRK	WA4M1.5-5CBRK	1617
2	1800	90L	11	WA4M002-2CBRK	WA4M002-5CBRK	1697
3	1800	100L	27.7	WA4M003-2CBRK	WA4M003-5CBRK	2683
5.5	1800	112M	27.7	WA4M5.5-2CBRK	WA4M5.5-5CBRK	3065
7.5	1800	132S	59.9	WA4M7.5-2CBRK	WA4M7.5-5CBRK	3522
10	1800	132M	59.9	WA4M010-4CBRK	WA4M010-5CBRK	4103

NOTE: - All 230/460 volt motors supplied with 230 volt coil on brake.
- 575 volt motors supplied with 575 volt coil.
- For D Flange Change C to D in Part Number
Example (WA4M.50-2CBRK to WA4M.50-2DBRK)

* Dimensionally motors are the same as shown on Page 39 & 40 with the exception of the 'L' dimension which is increased as follows

Frame Size	Additional Length (mm)
71	55
80	89
90S/L	103
100	90
112	86
132S/M	109



**NOTE: EPACT Efficiency Product
Is Subject To Availability**

Discount Category 17

VARIABLE TORQUE - 1800/900 RPM				
HP	ONE WINDING		TWO WINDING	
	FRAME	LIST	FRAME	LIST
1/.25	143T	\$1435	145T	\$1885
1.5/.38	145T	1491	182T	2067
2/.5	145T	1491	182T	2256
3/.75	182T	1820	184T	2363
5/1.25	184T	2109	213T	3180
7.5/1.9	213T	2708	215T	3651
10/2.5	215T	3229	254T	4137
15/3.8	254T	3612	256T	5182
20/5	256T	4444	284T	6078
25/6.3	284T	5119	286T	7088
30/7.5	286T	6043	324T	8619
40/10	324T	7385	326T	10481
50/12	326T	8987	364T	14117
60/15	364T	12399	365T	17098
75/18	365T	15582	405T	20060
100/25	405T	19437	444T	23275
125/31	444T	24245	445T	33514
150/37	445T	29587	504Z	43419

CONSTANT TORQUE - 1800/900				
HP	ONE WINDING		TWO WINDING	
	FRAME	LIST	FRAME	LIST
1/.5	145T	\$1491	182T	\$2067
1.5/.75	182T	1820	184T	2274
2/1	182T	1820	184T	2363
3/1.5	184T	2109	213T	3180
5/2.5	213T	2708	215T	3651
7.5/3.8	215T	3229	254T	4137
10/5	254T	3612	256T	5182
15/7.5	256T	4444	284T	6278
20/10	284T	5119	286T	7086
25/12.5	286T	6043	324T	8619
30/15	324T	7385	326T	10481
40/20	326T	8987	364T	14117
50/25	364T	12399	365T	17098
60/30	365T	15582	405T	20060
75/38	405T	19437	444T	23275
100/50	444T	24245	445T	33514
125/63	445T	29587	504Z	43419
150/75	504Z	35144		

1800/1200 RPM TWO WINDING					
HP	VARIABLE TORQUE		HP	CONSTANT TORQUE	
	FRAME	LIST		FRAME	LIST
1/.44	145T	\$1885	1/.67	182T	\$2067
1.5/.67	182T	2067	1.5/1	184T	2274
2/.9	182T	2256	2/1.3	184T	2363
3/1.3	184T	2363	3/2	213T	3180
5/2.2	213T	3180	5/3.3	215T	3651
7.5/3.3	215T	3651	7.5/5	254T	4137
10/4.4	254T	4137	10/6.7	256T	5182
15/6.7	256T	5182	15/10	284T	6278
20/8.9	284T	6078	20/13	286T	7086
25/11	286T	7088	25/17	324T	8619
30/9	324T	8619	30/20	326T	10481
40/12	326T	10481	40/27	364T	14117
50/15	364T	14117	50/33	365T	17098
60/18	365T	17098	60/40	405T	20060
75/22	405T	20060	75/50	444T	23275
100/30	444T	23275	100/67	445T	33514
125/37	445T	33514	125/63	504Z	43419
150/45	504Z	43,419			

The following are the most commonly used methods of mounting electric motors.

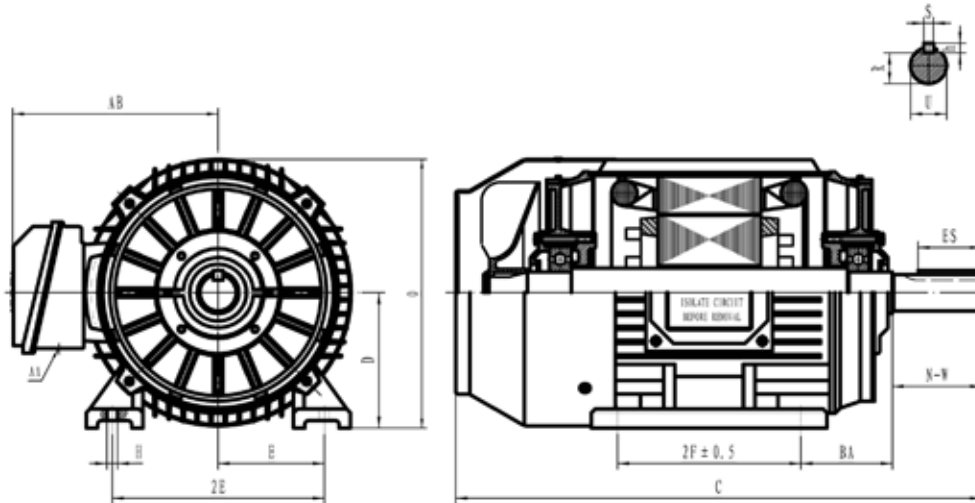
SLIDE RAILS									
FRAME	143/5T	182/4T	213/5T	254/6T	284/6T	324/6T	364/5T	404/5T	444/5T
STOCK No.	2800001	2800003	2800005	2800007	2800009	2800011	2800013	2800015	2800017
LIST	\$41	67	67	116	116	232	232	373	373

SLIDE BASES (Double adjustment screw type)											
FRAME	56	143T	145T	182T	184T	213T	215T	254T	256T	284T	286T
STOCK No.	5800000	5800001	5800002	5800003	5800004	5800005	5800006	5800007	5800008	5800009	5800010
LIST	\$58	58	58	71	71	91	91	104	104	112	112

FRAME	324T	326T	364T	365T	404T	405T	44T	445T	447T	504	505
STOCK No.	5800011	5800012	5800013	5800014	5800015	5800016	5800017	5800018	5800019	5800020	5800021
LIST	\$140	140	171	171	272	272	341	341	356	694	694

TRANSITION BASES			
RERATED FRAME SIZE	FORMER FRAME	STOCK No	LIST
143T, 145T	182,184	1814T	\$38
182T, 184T	213, 215	2118T	49
213T, 215T	254U, 256U	25U21T	55
254T,256T	284U, 286U	28U25T	60
284T, 286T	324U, 326U	32U28T	95
284TS, 286TS	326S	32S28TS	207
324T, 326T	364U, 365U	36U32T	109
364TS, 365TS	404U, 405U	40U36T	120
364TS, 365TS	404US, 405US	40US36TS	362
364T, 365T	444US, 445US	44US36TS	362
404T, 405T	444U, 445U	44U40T	152
404TS, 405TS	444US,445US	44US40TS	420

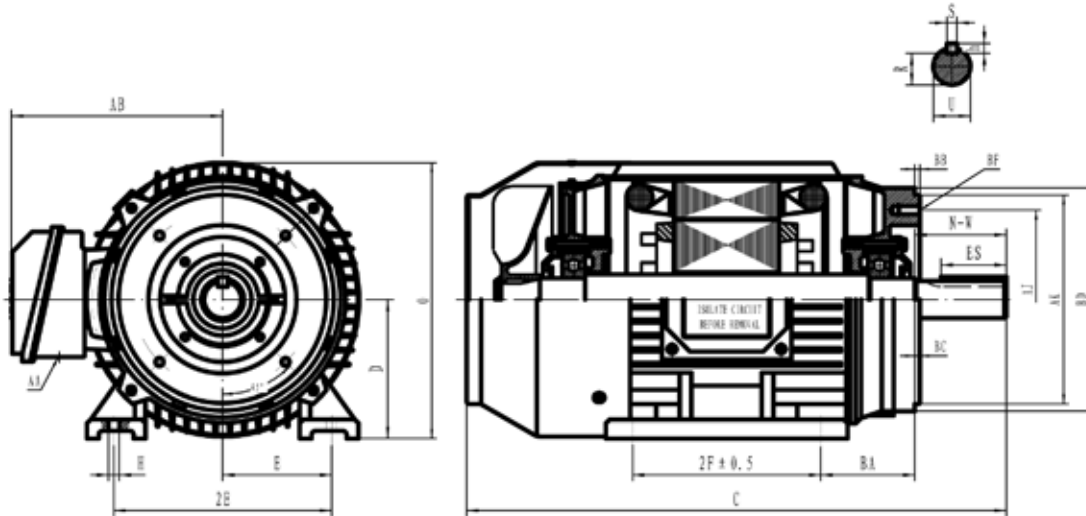
Discount Category **30**



Frame Size	FOOT INSTALLATION DIM.				SHAFT INSTALLATION DIM.						OVERALL INSTALLATION DIM.				
	2E	2F	H	BA	N-W	U	S	h	R	ES	C	D	O	AA	AB
143T	5.5	4.0	0.34	2.25	2.25	0.875	0.188	0.188	0.771	1.41	13.0	3.5	7.02	3/4	5.90
145T		5.0									14.0				
182T	7.5	4.5	0.41	2.75	2.75	1.125	0.25	0.25	0.986	1.78	16.54	4.5	8.9	3/4	7.03
184T		5.5									16.54				
213T	8.5	5.5	0.41	3.50	3.38	1.375	0.312	0.312	1.201	2.41	18.78	5.25	10.45	1	7.8
215T		7.0									20.28				
254T	10	8.25	0.53	4.25	4.0	1.625	0.375	0.375	1.416	2.91	24.00	6.25	12.44	1-1/4	9.96
256T		10									25.75				
284T	11	9.5	0.53	4.75	4.62	1.875	0.500	0.500	1.591	3.28	27.44	7.0	13.94	1-1/2	10.63
286T		11									28.94				
284TS	11	9.5	0.53	4.75	3.25	1.625	0.375	0.375	1.416	1.91	26.07	7.0	13.94	1-1/2	10.63
286TS		11									27.57				
324T	12.5	10.5	0.66	5.25	5.25	2.125	0.500	0.500	1.845	3.91	31.30	8.0	15.94	2	12.88
326T		12									31.30				
324TS	12.5	10.5	0.66	5.25	3.75	1.875	0.500	0.500	1.591	2.03	29.8	8.0	15.94	2	12.88
326TS		12									29.8				
364T	14	11.25	0.66	5.88	5.88	2.375	0.625	0.625	2.021	4.28	33.47	9.0	17.95	3	14.0
365T		12.25									34.45				
364TS	14	11.25	0.66	5.88	3.75	1.875	0.500	0.500	1.591	2.03	31.34	9.0	17.95	3	14.0
365TS		12.25									32.32				
404T	16	12.25	0.81	6.62	7.25	2.875	0.750	0.750	2.450	5.65	38.19	10.0	19.85	3	15.13
405T		13.75									38.19				
404TS	16	12.25	0.81	6.62	4.25	2.125	0.500	0.500	1.845	2.78	35.19	10.0	19.85	3	15.13
405TS		13.75									35.19				
444T	18	14.5	0.81	7.50	8.5	3.375	0.875	0.875	2.880	6.91	43.9	11.0	22.05	3	17.97
445T		16.5									43.9				
444TS	18	14.5	0.81	7.50	4.75	2.375	0.625	0.625	2.021	3.03	40.15	11.0	22.05	3	17.97
445TS		16.5									40.15				
447T	18	20	0.81	7.50	8.5	3.375	0.875	0.875	2.880	6.91	52.4	11.0	22.05	3	17.97
449T		25									52.4				
447TS	18	20	0.81	7.50	4.75	2.375	0.625	0.625	2.021	3.03	48.65	11.0	22.05	3	17.97
449TS		25									48.65				

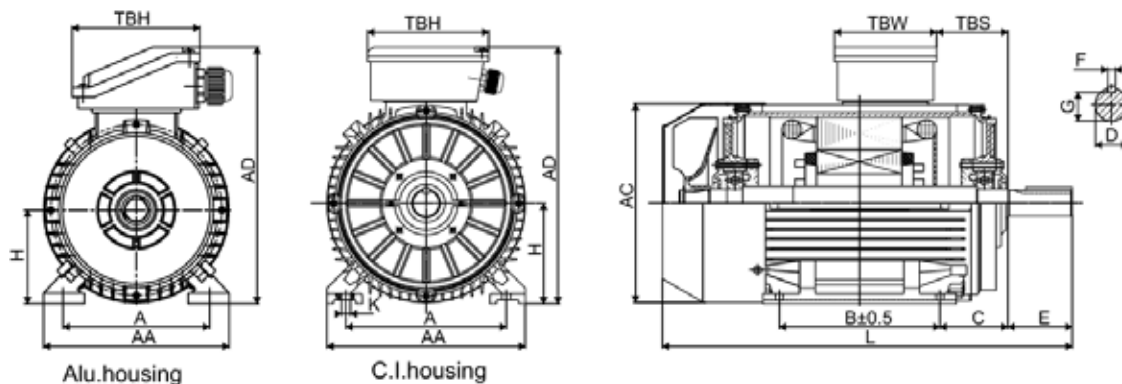
TA/TC/PA/PC RANGE NEMA C FACE

Dimensional Reference



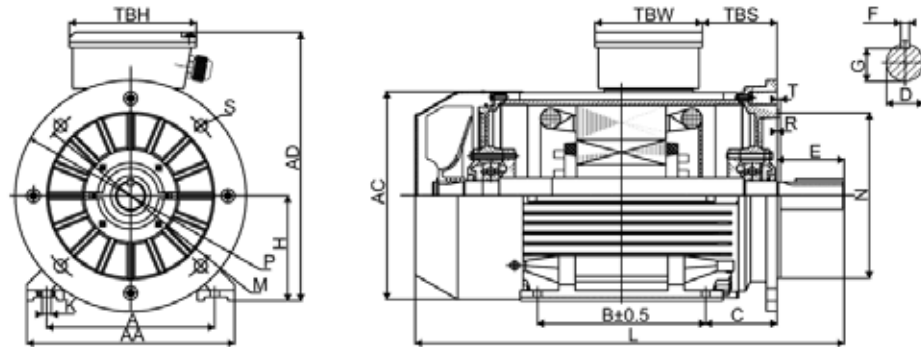
Frame Size	INSTALLATION DIM.				SHAFT INSTALLATION DIM.						C-FACE DIM.						OVERALL INSTALLATION DIM.				
	2E	2F	H	BA	N-W	U	S	h	R	ES	AJ	AK	BB	BC	BD	BF	C	D	O	AA	AB
143T	5.5	4.0	0.34	2.25	2.25	0.875	0.188	0.188	0.771	1.41	5.875	4.5	0.16	0.12	6.5	4*3/8-16	13.0	3.5	7.02	3/4	5.90
145T		5.0															14.0				
182T	7.5	4.5	0.41	2.75	2.75	1.125	0.25	0.25	0.986	1.78	7.25	8.5	0.25	0.12	9.0	4*1/2-13	16.54	4.5	8.9	3/4	7.03
184T		5.5															16.54				
213T	8.5	5.5	0.41	3.50	3.38	1.375	0.312	0.312	1.201	2.41	7.25	8.5	0.25	0.25	9.0	4*1/2-13	18.78	5.25	10.45	1	7.8
215T		7.0															20.28				
254T	10	8.25	0.53	4.25	4.0	1.625	0.375	0.375	1.416	2.91	7.25	8.5	0.25	0.25	10.0	4*1/2-13	24.00	6.25	12.44	1-1/4	9.96
256T		10															25.75				
284T	11	9.5	0.53	4.75	4.62	1.875	0.500	0.500	1.591	3.28	9.0	10.5	0.25	0.25	11.25	4*1/2-13	27.44	7.0	13.94	1-1/2	10.63
286T		11															28.94				
284TS	11	9.5	0.53	4.75	3.25	1.625	0.375	0.375	1.416	1.91	9.0	10.5	0.25	0.25	11.25	4*1/2-13	26.07	7.0	13.94	1-1/2	10.63
286TS		11															27.57				
324T	12.5	10.5	0.66	5.25	5.25	2.125	0.500	0.500	1.845	3.91	11.0	12.5	0.25	0.25	14.0	4*5/8-11	31.30	8.0	15.94	2	12.88
326T		12															31.30				
324TS	12.5	10.5	0.66	5.25	3.75	1.875	0.500	0.500	1.591	2.03	11.0	12.5	0.25	0.25	14.0	4*5/8-11	29.8	8.0	15.94	2	12.88
326TS		12															29.8				
364T	14	11.25	0.66	5.88	5.88	2.375	0.625	0.625	2.021	4.28	11.0	12.5	0.25	0.25	14.0	8*5/8-11	33.47	9.0	17.95	3	14.0
365T		12.25															34.45				
364TS	14	11.25	0.66	5.88	3.75	1.875	0.500	0.500	1.591	2.03	11.0	12.5	0.25	0.25	14.0	8*5/8-11	31.34	9.0	17.95	3	14.0
365TS		12.25															32.32				
404T	16	12.25	0.81	6.62	7.25	2.875	0.750	0.750	2.450	5.65	11.0	12.5	0.25	0.25	15.5	8*5/8-11	38.19	10.0	19.85	3	15.13
405T		13.75															38.19				
404TS	16	12.25	0.81	6.62	4.25	2.125	0.500	0.500	1.845	2.78	11.0	12.5	0.25	0.25	15.5	8*5/8-11	35.19	10.0	19.85	3	15.13
405TS		13.75															35.19				
444T	18	14.5	0.81	7.50	8.5	3.375	0.875	0.875	2.880	6.91	14.0	16.0	0.25	0.25	18.0	8*5/8-11	43.9	11.0	22.05	3	17.97
445T		16.5															43.9				
444TS	18	14.5	0.81	7.50	4.75	2.375	0.625	0.625	2.021	3.03	14.0	16.0	0.25	0.25	18.0	8*5/8-11	40.15	11.0	22.05	3	17.97
445TS		16.5															40.15				
447T	18	20	0.81	7.50	8.5	3.375	0.875	0.875	2.880	6.91	14.0	16.0	0.25	0.25	18.0	8*5/8-11	52.4	11.0	22.05	3	17.97
449T		25															52.4				
447TS	18	20	0.81	7.50	4.75	2.375	0.625	0.625	2.021	3.03	14.0	16.0	0.25	0.25	18.0	8*5/8-11	48.65	11.0	22.05	3	17.97
449TS		25															48.65				

Note:
 Above BA dimensions for 143T - 256TC are based on stock modified kits.
 Some products could be supplied with NEMA BA dimensions: 143-145TC = 2.75 ; 182- 184TC = 3.5 ; 213-215TC = 4.25 ; 254-256TC = 4.75
 Contact our office for details.

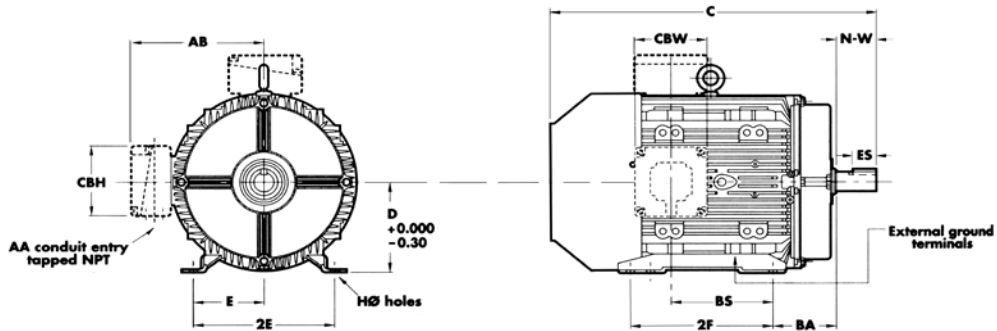


Frame	Foot Mounting				Shaft					General								
	H	A	B	C	D	E	F	G	K	AA	AD	HD	AC	L	TBS	TBW	TBH	
80	80	125	100	50	19	40	6	15.5	9	160	220	140	158	280	16	97	97	
90S/L	90	140	100/125	56	24	50	8	20	10	175	240	150	176	325/350	16	97	97	
100	100	160	140	63	28	60	8	24	12	200	265	165	199	388	20	118	118	
112	112	190	140	70	28	60	8	24	12	230	291	179	220	405	29	118	118	
132S/M	132	216	140/178	89	38	80	10	33	12	255	332	200	259	467/505	29	118	118	
160M/L	160	254	210/254	108	42	110	12	37	15	314	402	242	313	605/650	91	162	187	
180M/L	180	279	241/279	121	48	110	14	42.5	15	348	439	259	360	687/725	160/180	162	187	
200L	200	318	305	133	55	110	16	49	19	388	497	297	399	768	192	186	233	
225S	4,8	225	356	286	149	60	140	18	53	19	436	553	328	465	814	190	186	233
225M	2	225	356	311	149	55	110	16	49	19	436	553	328	465	809	202	186	233
	4,6,8	225	356	311	149	60	140	18	53	19	436	553	328	465	839	202	186	233
250M	2	250	406	349	168	60	140	18	53	24	484	616	366	506	918	233	218	260
	4,6,8	250	406	349	168	65	140	18	58	24	484	616	366	506	918	233	218	260
280S/M	2	280	457	368/419	190	65	140	18	58	24	557	668	388	559	265	218	260	260
	4,6,8	280	457	368/419	190	75	140	20	67.5	24	557	668	388	559	265	218	260	260
315S	2	315	508	406	216	65	140	18	58	28	630	840	525	680	1160	130	350	430
	4,6,8	315	508	406	216	80	170	22	71	28	630	840	525	680	1190	130	350	430
315M/L	2	315	508	457/508	216	65	140	18	58	28	630	840	525	680	1310	130	350	430
	4,6,8	315	508	457/508	216	80	170	22	71	28	630	840	525	680	1340	130	350	430
355M/L	2	355	610	560/630	254	75	140	20	67.5	28	740	920	565	820	1770	180	350	430
	4,6,8	355	610	560/630	254	95	170	25	86	28	740	920	565	820	1840	180	350	430

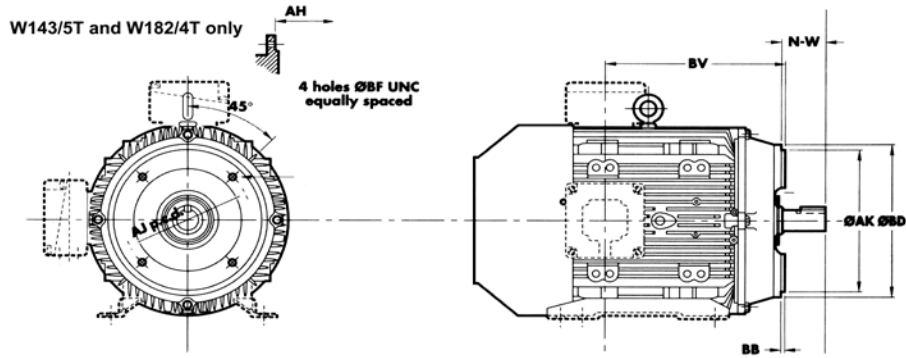
NOTE: All dimensions in mm



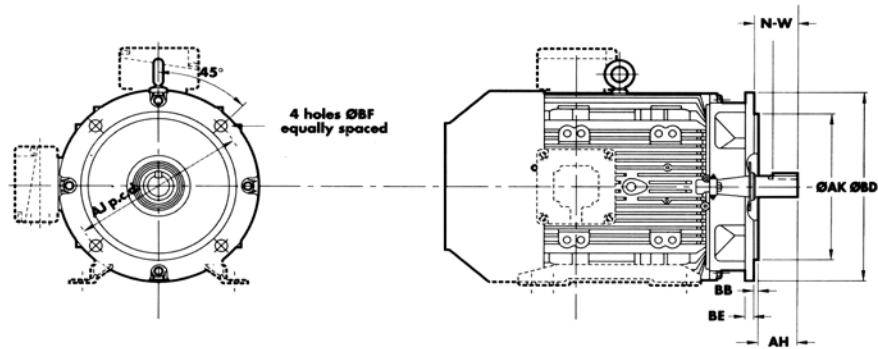
Frame	Cable Gland Shaft	D Flange - B5					C Face - B14				
		N	M	P	S	T	N	M	P	S	T
80	1-M20×1.5	130	165	198	4-12	3.5	80	100	118	M6	3
90S/L	1-M20×1.5	130	165	198	4-12	3.5	95	115	138	M8	3
100	1-M20×1.5	180	215	250	4-15	4	110	130	158	M8	3.5
112	2-M25×1.5	180	215	250	4-15	4	110	130	158	M8	3.5
132S/M	2-M25×1.5	230	265	300	4-15	4	130	165	198	M10	3.5
160M/L	2-M32×1.5	250	300	350	4-19	5					
180M/L	2-M32×1.5	250	300	350	4-19	5					
200L	2-M40×1.5	300	350	400	4-19	5					
225S	4,8	2-M50×1.5	350	400	450	8-19	5				
225M	2		350	400	450	8-19	5				
	4,6,8		350	400	450	8-19	5				
250M	2	2-M50×1.5	450	500	550	8-19	5				
	4,6,8		450	500	550	8-19	5				
280S/M	2	2-M50×1.5	450	500	550	8-19	5				
	4,6,8		450	500	550	8-19	5				
315S/M/L	2	2-M63×1.5	550	600	660	8-24	6				
	4,6,8		550	600	660	8-24	6				
355M/L	2	2-M63×1.5	680	740	800	8-24	6				
	4,6,8		680	740	800	8-24	6				



FOOT MOUNTED



C FACE MOUNTED

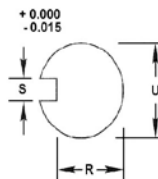


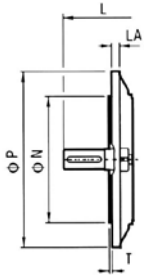
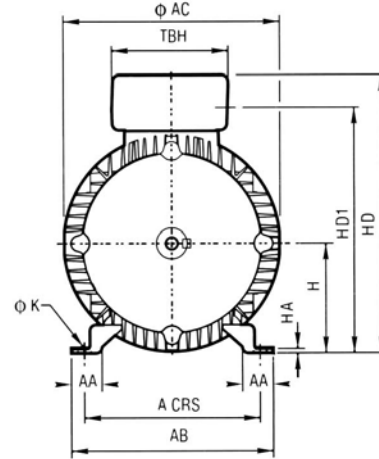
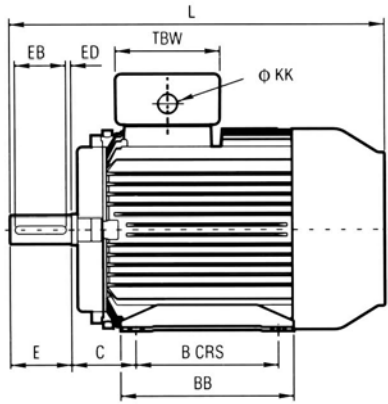
D FLANGE MOUNTED

FRAME	D	E	2E	2F	BA	H	AA	AB	C	BS	CBH	CBW
56	3.50	2.437	4.875	3.0	2.75	0.343	0.50	5.187	12.25	2.187	4.062	4.062
143T	3.50	2.75	5.5	4.0	2.25	0.343	0.75	5.50	13.0	4.0	4.062	4.062
145T	3.50	2.75	5.5	5.0	2.25	0.343	0.75	5.50	13.0	4.0	4.062	4.062
182T	4.50	3.75	7.5	4.5	2.75	0.50	0.75	6.578	15.781	4.140	5.0	5.0
184T	4.50	3.75	7.5	5.5	2.75	0.50	0.75	6.578	15.781	4.140	5.0	5.0
213T	5.25	4.25	8.5	5.5	3.50	0.50	1.0	7.406	17.781	4.531	5.0	5.0
215T	5.25	4.25	8.5	7.0	3.50	0.50	1.0	7.406	17.781	4.531	5.0	5.0
D FLANGE MOUNT							C FACE MOUNT					
FRAME	AJ	AK	BB	BD	BE	BF	AJ	AK	BB	BD	BF	BV
56	-	-	-	-	-	-	5.875	4.50	0.125	6.50	0.375	-
143T	10	9	0.25	11	0.50	0.531	5.875	4.50	0.125	6.50	0.375	-
145T	10	9	0.25	11	0.50	0.531	5.875	4.50	0.125	6.50	0.375	-
182T	10	9	0.25	11	0.468	0.531	7.250	8.50	0.250	9.0	0.50	7.015
184T	10	9	0.25	11	0.468	0.531	7.250	8.50	0.156	9.0	0.50	7.015
213T	10	9	0.25	11	0.468	0.531	7.250	8.50	0.250	9.0	0.50	8.28
215T	10	9	0.25	11	0.468	0.531	7.250	8.50	0.250	9.0	0.50	8.28
SHAFT DRIVE END												
FRAME	AH	ES	N-W	R	S	U						
56	2.062	1.375	1.875	0.517	0.187	0.625						
143T	2.125	1.406	2.25	0.771	0.187	0.875						
145T	2.125	1.406	2.25	0.771	0.187	0.875						
182T	2.625	1.75	2.75	0.986	0.25	1.125						
184T	2.625	1.75	2.75	0.986	0.25	1.125						
213T	3.125	1.75	3.375	1.201	0.312	1.375						
215T	3.125	1.75	3.375	1.201	0.312	1.375						

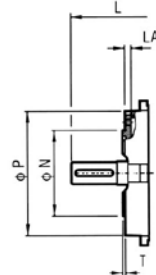
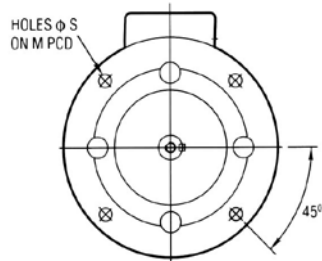
NEMA Brake Motors	
Frame Size	'C' dimension Additional Length
56	2.875"
143/5T	4.0"
182/4T	3.5"
213/5T	3.75"

NOTE: All dimensions in inches

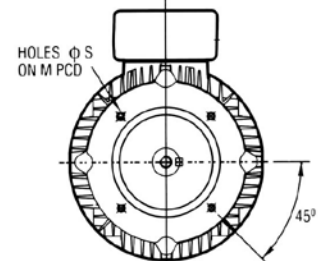




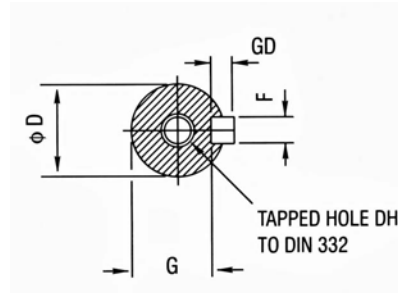
D FLANGE



C FACE



SHAFT DRIVE END								
FRAME	D	E	F	G	GD	EB	ED	DH
63	11	23	4	8.5	4	10	0	M4X10
71	14	30	5	11	5	20	5	M5X12.5
80	19	40	6	15.5	6	32	4	M6X16
90S	24	50	8	20	7	40	5	M8X19
90L	24	50	8	20	7	40	5	M8X19
100L	28	60	8	23.9	7	50	5	M10X22
112M	28	60	8	23.9	7	50	5	M10X22
132S	38	80	10	33	8	70	5	M12X28
132M	38	80	10	33	8	70	5	M12X28
160M	42	110	12	37	8	100	5	M16X36
160L	42	110	12	37	8	100	5	M16X36
180M	48	110	14	42.5	9	100	5	M16X36
180L	48	110	14	42.5	9	100	5	M16X36
200L	55	110	16	49	10	100	5	M20X42



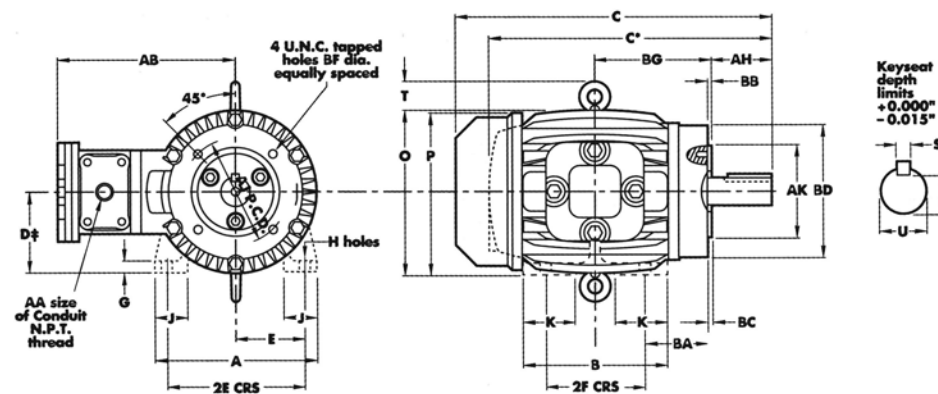
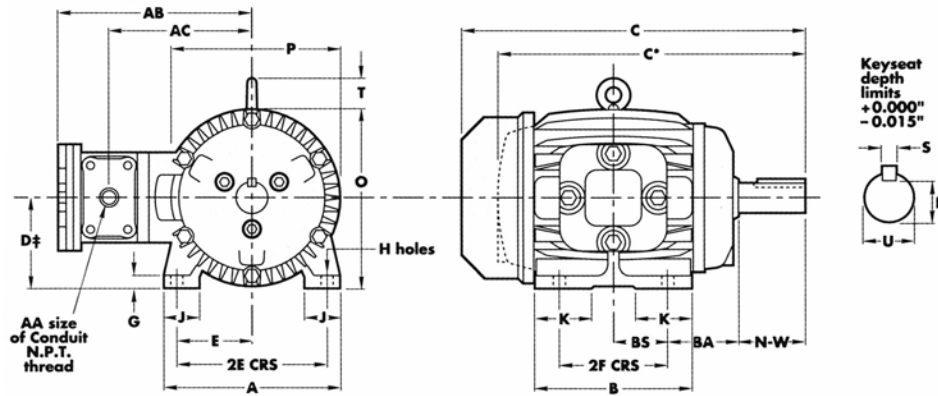
NOTE: Motor supplied with T Box located on R.H.S. looking at shaft.
Option for top mount available upon request.

IEC Brake Motors	
Frame Size	'L' dimension Additional Length (mm)
71	55
80	89
90S/L	103
100	90
112	86
132S/M	109

GENERAL																
FRAME	A	B	C	H	K	1800 RPM >	3600 RPM	AA	AB	BB	HA	AC	HD	TBW	TBH	KK
						L	L									
63	100	80	40	63	7	207		19	119	100	2	126	163	86	86	20
71	112	90	45	71	7	238		19	131	110	2	140	186	86	86	20
80	125	100	50	80	10	278		27	157	127	4	160	212	86	86	20
90S	140	100	56	90	10	322		28	164	150	4	178	225	86	86	20
90L	140	125	56	90	10	322		28	164	150	4	178	225	86	86	20
100L	160	140	63	100	12	368		28	184	170	4	199	254	106	106	20
112M	190	140	70	12	12	382		35	218	170	4	215	279	127	127	25
132S	216	140	89	132	12	451		38	242	208	5	255	320	127	127	25
132M	216	178	89	132	12	451		38	242	208	5	255	320	127	127	25
160M	254	210	108	160	15	605		49	304	304	5	314	400	140	140	32
160L	254	254	108	160	15	605		49	304	304	5	314	400	140	140	32
180M	279	241	121	180	15	667		50	329	329	6	358	440	140	140	32
180L	279	279	121	180	15	667		50	329	329	6	358	440	140	140	32
200L	318	305	133	200	19	667		74	382	369	15	358	460	140	140	32
225S	356	286	149	225	M16	875	845	70	426	349	25	410	550	220	161	
225M	356	311	149	225	M16	915	885	70	426	374	25	448	570	220	161	
250S	406	311	168	250	M20	985	985	79	482	381	28	448	595	220	161	
250M	406	349	168	250	M20	1030	1030	79	482	419	35	508	625	220	161	
280S	457	368	190	280	M20	1100	1070	83	540	438	35	508	655	220	161	
280M	457	419	190	280	M20	1145	1115	83	540	487	38	563	810	330	326	
315S	508	406	216	315	M24	1215	1185	89	597	483	38	563	845	330	326	
315M	508	457	216	315	M24	1245	1215	89	597	533	38	640	875	330	326	
315L	508	508	216	315	M24	1315	1285	89	597	583	38	640	875	330	326	

SHAFT DRIVE END																	
FRAME	1800 RPM >								3600 RPM								
	D	E	F	G	GD	EB	ED	DH	FRAME	D	E	F	G	GD	EB	ED	DH
225S	60	140	18	53	11	125	5	M20X42	225S	55	110	16	49	10	100	5	M20X42
225M	60	140	18	53	11	125	5	M20X42	225M	55	110	16	49	10	100	5	M20X43
250S	70	140	20	62.5	12	125	5	M20X42	250S	60	140	18	53	11	125	5	M20X44
250M	70	140	20	62.5	12	125	5	M20X42	250M	60	140	18	53	11	125	5	M20X45
280S	80	170	22	71	14	160	5	M20X42	280S	65	140	18	58	11	125	5	M20X46
280M	80	170	22	71	14	160	5	M20X42	280M	65	140	18	58	11	125	5	M20X47
315S	85	170	22	76	14	160	5	M20X42	315S	65	140	18	58	11	125	5	M20X48
315M	85	170	22	76	14	160	5	M20X42	315M	65	140	18	58	11	125	5	M20X49
315L	85	170	22	76	14	160	5	M20X42	315L	65	140	18	58	11	125	5	M20X50

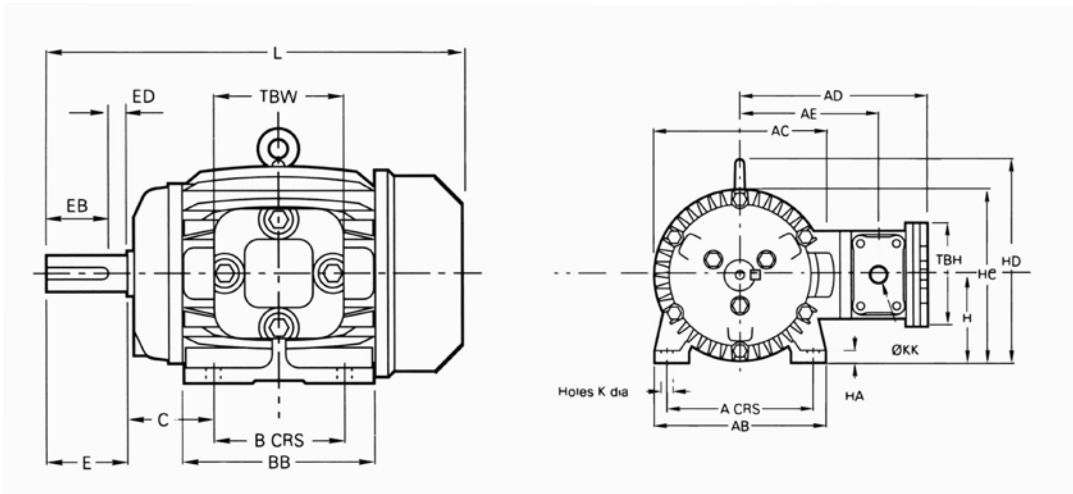
D FLANGE								C FACE							
FRAME	M	N	P	S	T	LA		FRAME	M	N	P	S	T	LA	
63	115	95	140	10	3	7		63	75	60	90	M5	2.5	7	
71	130	110	160	10	3.5	7		71	85	70	105	M6	2.5	9	
80	165	130	200	12	3.5	12		80	100	80	120	M6	3.0	9	
90S/L	165	130	200	12	3.5	10		90S/L	115	95	140	M8	3.0	9	
100L	215	180	250	14.5	4	12		100L	130	110	160	M8	3.5	12.5	
112M	215	180	250	14.5	4	12		112M	130	110	164	M8	3.5	13	
132S/M	265	230	300	14.5	4	12		132S/M	165	130	200	M10	3.5	14	
160M/L	300	250	350	18.5	5	13		160M/L	215	180	250	M14	4.0	13	
180M/L	300	250	350	18.5	5	15		180M/L							
200L	350	300	400	19	5	19		200L							
225S/M	400	350	450	19	5	19		225S/M							
250S/M	500	450	550	19	5	25		250S/M							
280S/M	500	450	550	19	5	25		280S/M							
315S/M/L	600	550	660	24	6	29		315S/M/L							



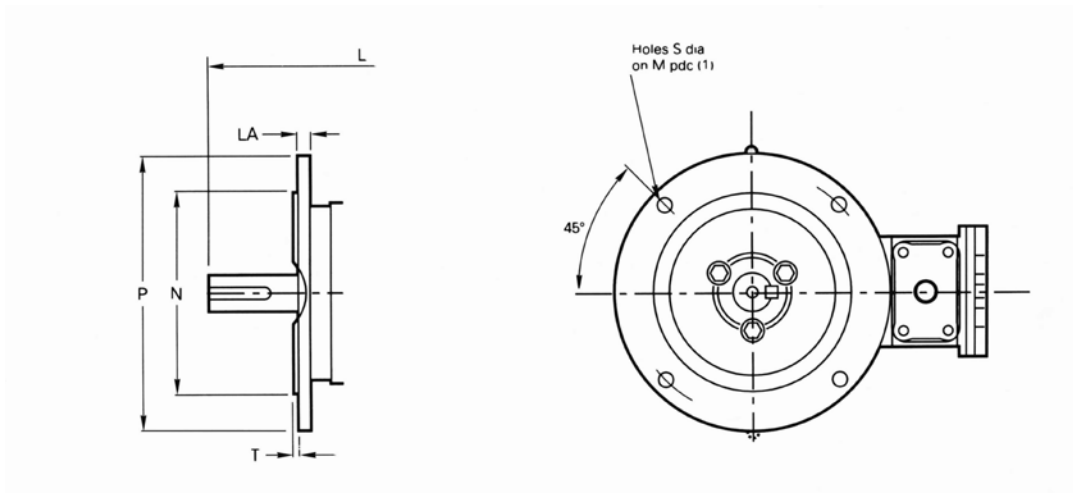
FRAME	GENERAL								
	C	G	J	K	O + T	P	AA	AB	AC
143/5T	13.78	0.47	1.42	-	9.25	7.56	0.75	8.07	6.14
182/4T	17.13	0.67	1.69	-	11.4	9.84	0.75	9.06	7.32
213/5T	20.08	0.75	2.36	-	13	12.2	1.0	11.4	7.66
254/6T	25.2	0.87	2.76	3.74	15.55	14	1.25	13.58	9.84
284/6T	28.5	0.75	2.76	4.33	17.52	16.3	1.50	14.37	10.6
284/6TS	27.2	0.75	2.76	4.33	17.52	16.3	1.50	14.37	10.6
324/6T	31.9	0.98	2.76	3.94	19.9	18.03	2	15.4	11.26
324/6TS	30.3	0.98	2.76	3.94	19.9	18.03	2	15.4	11.26
364/5T	34.84	0.98	2.95	3.94	22	19.7	3	17.1	14
364/5TS	32.68	0.98	2.95	3.94	22	19.7	3	17.1	14
404/5T	38.6	1.18	3.15	4.72	25	21.8	3	18.7	15.6
404/5TS	35.6	1.18	3.15	4.72	25	21.8	3	18.7	15.6
444/5T	47	1.38	3.74	6.3	28	25.4	3	21.3	16.4
444/5TS	43.3	1.38	3.74	6.3	28	25.4	3	21.3	16.4
447/9T	55.5	1.38	3.74	8.7	28	25.4	3	21.3	16.4
447/9TS	51.8	1.38	3.74	8.7	28	25.4	3	21.3	16.4

FRAME	FIXING								SHAFT			
	A	B	D \ddagger	E	2E	2F	BA	H	N-W	R	S	U
143T	7.00	6.89	3.50	2.75	5.50	4.00	2.25	0.27	2.250	0.771	0.187	0.875
145T	7.00	6.89	3.50	2.75	5.50	5.00	2.25	0.27	2.250	0.771	0.187	0.875
182T	8.85	7.87	4.50	3.75	7.50	4.50	2.75	0.41	2.750	0.986	0.250	1.125
184T	8.85	7.87	4.50	3.75	7.50	5.50	2.75	0.41	2.750	0.986	0.250	1.125
213T	10.50	9.30	5.25	4.25	8.50	5.50	3.50	0.41	3.375	1.201	0.312	1.375
215T	10.50	9.30	5.25	4.25	8.50	7.00	3.50	0.41	3.375	1.201	0.312	1.375
254T	12.36	12.40	6.25	5.00	10.00	8.25	4.25	0.53	4.000	1.416	0.375	1.625
256T	12.50	12.25	6.25	5.00	10.00	10.00	4.25	0.53	4.000	1.416	0.375	1.625
284T	13.74	13.74	7.00	5.50	11.00	9.50	4.75	0.53	4.625	1.591	0.500	1.875
284TS	13.74	13.74	7.00	5.50	11.00	9.50	4.75	0.53	3.250	1.416	0.375	1.625
286T	13.74	13.74	7.00	5.50	11.00	11.00	4.75	0.53	4.625	1.591	0.500	1.875
286TS	13.74	13.74	7.00	5.50	11.00	11.00	4.75	0.53	3.250	1.416	0.375	1.625
324T	15.55	14.25	8.00	6.25	12.50	10.50	5.25	0.66	5.250	1.845	0.500	2.125
324TS	15.55	14.25	8.00	6.25	12.50	10.50	5.25	0.66	3.750	1.591	0.500	1.875
326T	15.55	14.25	8.00	6.25	12.50	12.00	5.25	0.66	5.250	1.845	0.500	2.125
326TS	15.55	14.25	8.00	6.25	12.50	12.00	5.25	0.66	3.750	1.591	0.500	1.875
364T	17.10	15.47	9.00	7.00	14.00	11.25	5.88	0.67	5.880	2.021	0.625	2.375
364TS	17.10	15.47	9.00	7.00	14.00	11.25	5.88	0.67	3.750	1.591	0.500	1.875
365T	17.10	15.47	9.00	7.00	14.00	12.25	5.88	0.67	5.880	2.021	0.625	2.375
365TS	17.10	15.47	9.00	7.00	14.00	12.25	5.88	0.67	3.750	1.591	0.500	1.875
404T	19.05	17.00	10.00	8.00	16.00	12.25	6.62	0.81	7.250	2.450	0.750	2.875
404TS	19.05	17.00	10.00	8.00	16.00	12.25	6.62	0.81	4.250	1.845	0.500	2.125
405T	19.05	17.00	10.00	8.00	16.00	13.75	6.62	0.81	7.250	2.450	0.750	2.875
405TS	19.05	17.00	10.00	8.00	16.00	13.75	6.62	0.81	4.250	1.845	0.500	2.125
444T	21.30	19.50	11.00	9.00	18.00	14.50	7.50	0.81	8.500	2.880	0.875	3.375
444TS	21.30	19.50	11.00	9.00	18.00	14.50	7.50	0.81	4.750	2.021	0.625	3.375
445T	21.30	19.50	11.00	9.00	18.00	16.50	7.50	0.81	7.500	2.880	0.875	3.375
445TS	21.30	19.50	11.00	9.00	18.00	16.50	7.50	0.81	4.750	2.021	0.625	3.375
447T	21.30	19.50	11.00	9.00	18.00	20.00	7.50	0.81	8.500	2.880	0.875	3.375
447TS	21.30	19.50	11.00	9.00	18.00	20.00	7.50	0.81	4.750	2.021	0.625	3.375
449T	21.30	19.50	11.00	9.00	18.00	25.00	7.50	0.81	8.500	2.880	0.875	3.375
449TS	21.30	19.50	11.00	9.00	18.00	25.00	7.50	0.81	4.750	2.021	0.625	3.38

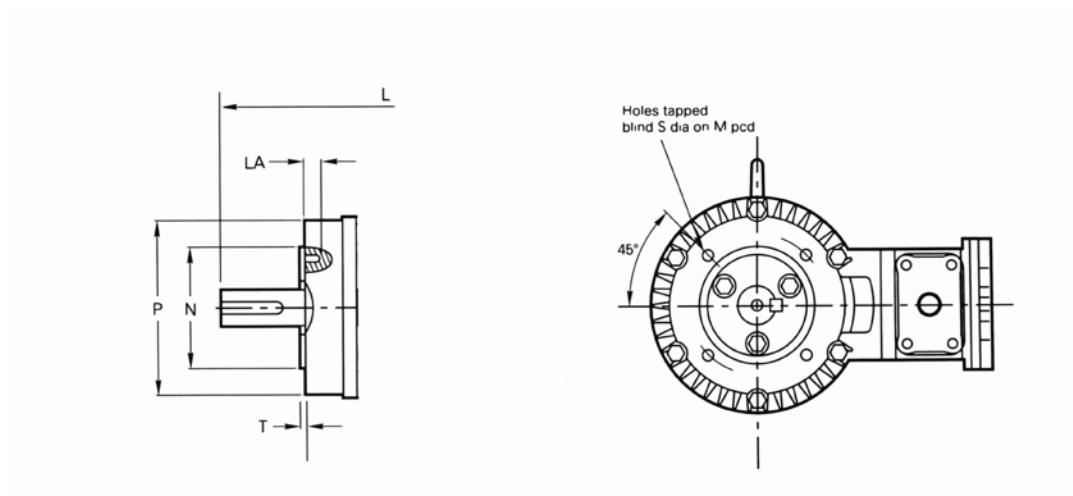
C FACE						
FRAME	AJ	AK	BB	BC	BD	BF
143/5TC	5.875	4.5	0.16	+0.12	6.5	0.375
182/4TC	7.25	8.5	0.25	+0.12	9	0.375
213/5TCT	7.25	8.5	0.25	+0.25	9	0.5
254/6TC	7.25	8.5	0.25	+0.25	10	0.5
284/6TC	9	10.5	0.25	+0.25	11.25	0.5
324/6TC	11	12.5	0.25	+0.25	14	0.625
364/5TC	11	12.5	0.25	+0.25	14	0.625
404/5TC	11	12.5	0.25	+0.25	15.5	0.625
444/9TC	14	16	0.25	+0.25	18	0.625



FOOT MOUNTED



D FLANGE MOUNTED



C FACE MOUNTED

FRAME	GENERAL																
	A	B	C	H	K	4 POLE+	2 POLE	AC	AB	BB	AC	AD	HA	HD	TBW	TBH	KK
W-EF90S	140	100	56	90	10	308		187	175	127	187	230	12	236	140	140	1XM20
W-EF90L	140	125	56	90	10	333		187	175	152	187	230	12	236	140	140	1XM20
W-EF100L	160	140	63	100	12	394		208	194	187	208	241	14	252	140	140	1XM20
W-EF112M	190	140	70	12	12	391		250	229	179	250	260	16	286	140	140	1XM25
W-EF132S	216	140	89	132	12	467		270	260	178	270	289	19	319	1715	1715	1XM25
W-EF132M	216	178	89	132	12	505		270	260	216	270	289	19	319	1715	1715	1XM25
W-EF160L	254	254	108	160	15	650		333	318	311	333	316	19	375	1715	1715	1XM32
W-EF180M	279	241	121	180	15	672		378	356	298	378	343	19	440	197	197	1XM32
W-EF180L	279	279	121	180	15	710		378	356	337	378	343	19	440	197	197	1XM32
W-EF200L	318	305	133	200	19	810		410	386	355	410		27	636	260	190	1XM40*
W-EF225S	356	286	149	225	M16	873	843	410	426	349	410		25	661	260	190	1XM40*
W-EF225M	356	311	149	225	M16	915	885	448	426	374	448		25	680	260	190	1XM40*
W-EF250S	406	311	168	250	M20	985	985	448	482	384	448		28	705	260	190	1XM40*
W-EF250M	406	349	168	250	M20	1030	1030	508	482	419	508		28	770	335	220	1XM50*
W-EF280S	406	368	190	280	M20	1100	1070	508	540	436	508		35	800	335	220	1XM50*
W-EF280M	457	419	190	280	M20	1145	1115	563	540	487	563		35	830	335	220	1XM50*
W-EF315S	508	406	216	315	M24	1215	1185	563	597	483	563		38	865	335	220	1XM63*
W-EF315M	508	457	216	315	M24	1245	1215	640	597	533	640		38	960	384	255	1XM63*
W-EF315L	508	508	216	315	M24	1315	1285	640	597	583	640		38	960	384	255	1XM63*
FRAME	SHAFT DRIVE END																
	D	E	F	G	GD	EB	ED	DH									
W-EF90S	24	50	8	20	7	32	5	M8X19									
W-EF90L	24	50	8	20	7	32	5	M8X19									
W-EF100L	28	60	8	239	7	40	5	M10X22									
W-EF112M	28	60	8	239	7	40	5	M10X22									
W-EF132S	38	80	10	33	8	56	5	M12X28									
W-EF132M	38	80	10	33	8	56	5	M12X28									
W-EF160M	42	110	12	37	8	80	5	M16X36									
W-EF160L	42	110	12	37	8	80	5	M16X36									
W-EF180M	48	110	14	425	9	80	5	M16X36									
W-EF180L	48	110	14	425	9	80	5	M16X36									
FRAME	4 POLE +								FRAME	2 POLE							
	D	E	F	G	GD	EB	ED	DH		D	E	F	G	GD	EB	ED	DH
W-EF200L	55	110	16	49	10	100	5	M20X42	W-EF200L	55	110	16	49	10	100	5	M20X42
W-EF225S	60	140	18	53	11	125	5	M20X42	W-EF225S	-	-	-	-	-	-	-	-
W-EF225M	60	140	18	53	11	125	5	M20X42	W-EF225M	55	110	16	49	10	100	5	M20X42
W-EF250S	70	140	20	62.5	12	125	5	M20X42	W-EF250S	60	140	18	53	11	125	5	M20X42
W-EF250M	70	140	20	62.5	12	125	5	M20X42	W-EF250M	65	140	18	53	11	125	5	M20X42
W-EF280S	80	170	22	71	14	160	5	M20X42	W-EF280S	65	140	18	58	11	125	5	M20X42
W-EF280M	80	170	22	71	14	160	5	M20X42	W-EF280M	65	140	18	58	11	125	5	M20X42
W-EF315S	85	170	22	76	14	160	5	M20X42	W-EF315S	65	140	18	58	11	125	5	M20X42
W-EF315M	85	170	22	71	14	160	5	M20X42	W-EF315M	65	140	18	58	11	125	5	M20X42
W-EF315L	85	170	22	71	14	160	5	M20X42	W-EF315L	65	140	18	58	11	125	5	M20X42
FRAME	D FLANGE						FRAME	C FACE									
	M	N	P	S	T	LA		M	N	P	S	T	LA				
W-EF90S/L	165	130	200	12	35	12	W-EF90S/L	15	95	140	M8	3	10				
W-EF100L	215	180	250	15	4	11	W-EF100L	130	110	160	M8	3.5	14				
W-EF112M	215	180	250	15	4	11	W-EF112M	130	110	160	M8	3.5	15.5				
W-EF132S/M	265	230	300	15	4	12	W-EF132S/M	165	130	200	M10	3.5	17.5				
W-EF160M/L	300	250	350	19	5	13	W-EF160M/L	215	180	250	M12	4	19				
W-EF180M/L	300	250	350	19	5	15											
W-EF200L	350	300	400	19+	5	19											
W-EF225S/M	400	350	450	19+	5	19											
W-EF250S/M	500	450	550	19+	5	25											
W-EF280S/M	500	450	550	19+	5	25											
W-EF315S/M/L	600	550	660	24+	6	29											

GD
L
GD
G
TAPPED HOLE DH TO DIN 332

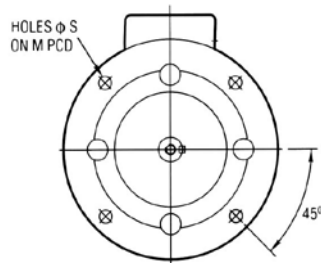
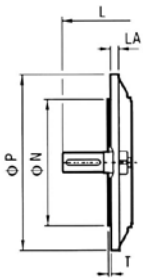
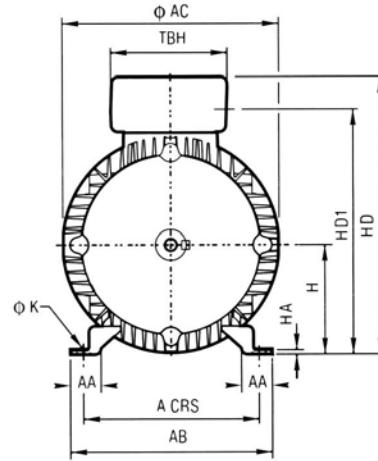
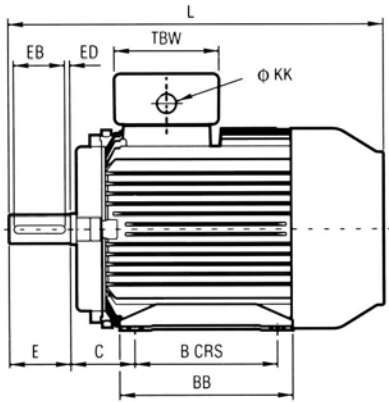
NOTES:

All dimensions in millimetres

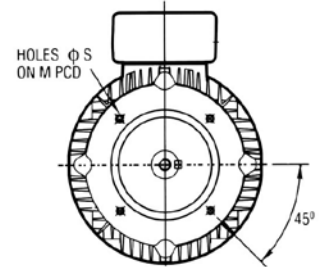
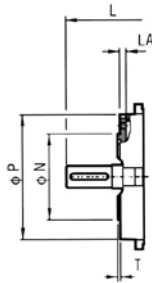
C Face not available above 160L frame

+ Frame sizes 225S -315L
Supplied with 8 holes - S dia.

Frame sizes 200L - 315L
Supplied with an additional 1Xm20 outlet.

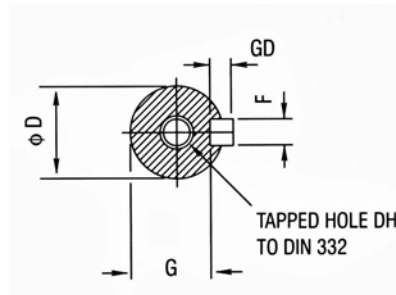


D FLANGE



C FACE

SHAFT DRIVE END								
FRAME	D	E	F	G	GD	EB	ED	DH
63	11	23	4	8.5	4	10	0	M4X10
71	14	30	5	11	5	20	5	M5X12.5
80	19	40	6	15.5	6	32	4	M6X16
90S	24	50	8	20	7	40	5	M8X19
90L	24	50	8	20	7	40	5	M8X19
100L	28	60	8	23.9	7	50	5	M10X22
112M	28	60	8	23.9	7	50	5	M10X22
132S	38	80	10	33	8	70	5	M12X28
132M	38	80	10	33	8	70	5	M12X28
160M	42	110	12	37	8	100	5	M16X36
160L	42	110	12	37	8	100	5	M16X36
180M	48	110	14	42.5	9	100	5	M16X36
180L	48	110	14	42.5	9	100	5	M16X36
200L	55	110	16	49	10	100	5	M20X42



NOTE: Motor supplied with T Box located on R.H.S. looking at shaft.
Option for top mount available upon request.

GENERAL																
FRAME	A	B	C	H	K	1800 RPM >	3600 RPM	AA	AB	BB	HA	AC	HD	TBW	TBH	KK
						L	L									
90S	140	100	56	90	10	322		28	164	150	4	178	225	86	86	20
90L	140	125	56	90	10	322		28	164	150	4	178	225	86	86	20
100L	160	140	63	100	12	368		28	184	170	4	199	254	106	106	20
112M	190	140	70	12	12	382		35	218	170	4	215	279	127	127	25
132S	216	140	89	132	12	451		38	242	208	5	255	320	127	127	25
132M	216	178	89	132	12	451		38	242	208	5	255	320	127	127	25
160M	254	210	108	160	15	605		49	304	304	5	314	400	140	140	32
160L	254	254	108	160	15	605		49	304	304	5	314	400	140	140	32
180M	279	241	121	180	15	667		50	329	329	6	358	440	140	140	32
180L	279	279	121	180	15	667		50	329	329	6	358	440	140	140	32
200L	318	305	133	200	19	667		74	382	369	15	358	460	140	140	32
225S	356	286	149	225	M16	875	845	70	426	349	25	410	550	220	161	
225M	356	311	149	225	M16	915	885	70	426	374	25	448	570	220	161	
250S	406	311	168	250	M20	985	985	79	482	381	28	448	595	220	161	
250M	406	349	168	250	M20	1030	1030	79	482	419	35	508	625	220	161	
280S	457	368	190	280	M20	1100	1070	83	540	438	35	508	655	220	161	
280M	457	419	190	280	M20	1145	1115	83	540	487	38	563	810	330	326	
315S	508	406	216	315	M24	1215	1185	89	597	483	38	563	845	330	326	
315M	508	457	216	315	M24	1245	1215	89	597	533	38	640	875	330	326	
315L	508	508	216	315	M24	1315	1285	89	597	583	38	640	875	330	326	

SHAFT DRIVE END																	
1800 RPM >									3600 RPM								
FRAME	D	E	F	G	GD	EB	ED	DH	FRAME	D	E	F	G	GD	EB	ED	DH
225S	60	140	18	53	11	125	5	M20X42	225S	55	110	16	49	10	100	5	M20X42
225M	60	140	18	53	11	125	5	M20X42	225M	55	110	16	49	10	100	5	M20X43
250S	70	140	20	62.5	12	125	5	M20X42	250S	60	140	18	53	11	125	5	M20X44
250M	70	140	20	62.5	12	125	5	M20X42	250M	60	140	18	53	11	125	5	M20X45
280S	80	170	22	71	14	160	5	M20X42	280S	65	140	18	58	11	125	5	M20X46
280M	80	170	22	71	14	160	5	M20X42	280M	65	140	18	58	11	125	5	M20X47
315S	85	170	22	76	14	160	5	M20X42	315S	65	140	18	58	11	125	5	M20X48
315M	85	170	22	76	14	160	5	M20X42	315M	65	140	18	58	11	125	5	M20X49
315L	85	170	22	76	14	160	5	M20X42	315L	65	140	18	58	11	125	5	M20X50

D FLANGE							C FACE						
FRAME	M	N	P	S	T	LA	FRAME	M	N	P	S	T	LA
63	115	95	140	10	3	7	63	75	60	90	M5	2.5	7
71	130	110	160	10	3.5	7	71	85	70	105	M6	2.5	9
80	165	130	200	12	3.5	12	80	100	80	120	M6	3.0	9
90S/L	165	130	200	12	3.5	10	90S/L	115	95	140	M8	3.0	9
100L	215	180	250	14.5	4	12	100L	130	110	160	M8	3.5	12.5
112M	215	180	250	14.5	4	12	112M	130	110	164	M8	3.5	13
132S/M	265	230	300	14.5	4	12	132S/M	165	130	200	M10	3.5	14
160M/L	300	250	350	18.5	5	13	160M/L	215	180	250	M14	4.0	13
180M/L	300	250	350	18.5	5	15	180M/L						
200L	350	300	400	19	5	19	200L						
225S/M	400	350	450	19	5	19	225S/M						
250S/M	500	450	550	19	5	25	250S/M						
280S/M	500	450	550	19	5	25	280S/M						
315S/M/L	600	550	660	24	6	29	315S/M/L						

HP	Full Load Speed (r/min)	Frame	60Hz		Eff. 100% FL	Power Factor (CosΦ)	LRC (%)	LRT (%)	BDT (%)	KVA Code	Service Factor
			460V (A)	575V (A)							
1	1735	143T	1.5	1.2	85.5	0.73	730	330	310	K	1.25
	1150	145T	1.7	1.4	82.5	0.66	620	340	270	K	1.25
1.5	3450	143T	2.0	1.6	84	0.83	800	330	310	K	1.25
	1715	145T	2.2	1.8	86.5	0.74	710	350	350	K	1.25
	1150	182T	2.2	1.8	87.5	0.73	700	310	250	K	1.25
2	3450	145T	2.5	2.0	85.5	0.87	800	310	280	J	1.25
	1730	145T	2.9	2.3	86.5	0.75	740	350	360	K	1.25
	1150	184T	3.0	2.4	88.5	0.71	660	280	240	J	1.25
3	3510	182T	3.6	2.9	86.5	0.90	850	320	320	K	1.25
	1755	182T	3.9	3.1	89.5	0.80	750	240	260	J	1.25
	1170	213T	4.2	3.4	89.5	0.74	640	310	230	J	1.25
5	3510	184T	5.9	4.7	88.5	0.89	750	300	250	H	1.25
	1745	184T	6.2	5.0	89.5	0.84	690	290	250	H	1.25
	1165	215T	7.1	5.7	89.5	0.74	630	230	220	J	1.25
7.5	3520	213T	8.9	7.1	89.5	0.88	800	330	230	H	1.25
	1750	213T	9.4	7.5	91.7	0.82	790	340	230	H	1.25
	1170	254T	10.6	8.5	91	0.73	620	240	210	H	1.25
10	3520	215T	11.5	9.2	90.2	0.90	850	320	220	J	1.25
	1750	215T	12.4	9.9	91.7	0.82	710	270	220	H	1.25
	1170	256T	13.7	11.0	91	0.75	680	270	200	J	1.25
15	3540	254T	17.4	13.9	91	0.88	900	350	320	K	1.25
	1760	254T	18.2	14.6	92.4	0.84	650	250	220	G	1.25
	1175	284T	19.3	15.4	91.7	0.80	700	350	250	J	1.25
20	3530	256T	23.2	18.6	91	0.89	850	240	300	J	1.25
	1760	256T	23.1	18.5	93	0.87	670	270	230	G	1.25
	1175	286T	25.7	20.6	91.7	0.80	730	340	230	J	1.25

HP	Full Load Speed (r/min)	Frame	60Hz		Eff. 100% FL	Power Factor (CosΦ)	LRC (%)	LRT (%)	BDT (%)	KVA Code	Service Factor
			460V (A)	575V (A)							
25	3550	284TS	28.9	23.1	91.7	0.88	750	310	230	H	1.25
	1770	284T	28.6	22.9	93.6	0.87	680	270	230	G	1.25
	1180	324T	31.9	25.5	93	0.79	780	250	210	J	1.25
30	3550	286TS	34.5	27.6	91.7	0.88	750	290	240	H	1.25
	1770	286T	34.3	27.4	93.6	0.87	700	270	230	H	1.25
	1180	326T	38.0	30.4	93	0.79	780	280	200	J	1.25
40	3560	324TS	46.1	36.9	92.4	0.88	770	300	260	H	1.25
	1770	324T	47.1	37.7	94.1	0.84	700	240	220	H	1.25
	1180	364T	46.8	37.4	94.1	0.84	650	220	200	G	1.25
50	3560	326TS	56.9	45.5	93	0.88	700	240	270	H	1.25
	1770	326T	57.2	45.8	94.5	0.86	710	220	270	H	1.25
	1180	365T	57.6	46.1	94.1	0.86	790	240	270	J	1.25
60	3560	364TS	67.5	54.0	93.6	0.89	800	260	310	J	1.25
	1775	364T	69.4	55.5	95	0.85	700	260	200	H	1.25
	1185	404T	70.0	56.0	94.5	0.85	680	210	200	H	1.25
75	3560	365TS	83.3	66.6	93.6	0.90	690	300	260	G	1.25
	1775	365T	86.2	69.0	95.4	0.85	680	250	200	G	1.25
	1185	405T	87.7	70.1	94.5	0.85	690	220	210	H	1.25
100	3570	405TS	110.0	88.0	94.1	0.90	900	220	200	J	1.25
	1780	405T	114.0	91.2	95.4	0.86	740	240	200	H	1.25
	1180	444T	115.0	92.0	95	0.86	770	220	200	H	1.25
125	3575	444TS	137.0	109.6	95	0.90	800	220	210	H	1.15
	1780	444T	140.0	112.0	95.4	0.88	760	220	210	H	1.15
	1180	445T	145.0	116.0	95	0.85	750	210	200	H	1.15
150	3575	445TS	162.0	129.6	95	0.91	750	220	210	H	1.15
	1780	445T	167.0	133.6	95.8	0.88	770	220	210	H	1.15
	1180	447T	170.0	136.0	95.8	0.87	750	210	210	H	1.15
200	3575	447TS	215.0	172.0	95.4	0.92	750	220	210	H	1.15
	1780	447T	221.0	176.8	96.2	0.88	750	220	210	H	1.15

Frame	Power (KW)	60Hz					50Hz				LRC (%)	LRT (%)	BDT (%)
		Full Load Speed (r/min)	575V (A)	460V (A)	Eff. FL (%)	Power Factor	Full Load Speed (r/min)	400V (A)	Eff. FL (%)	Power Factor			
80-2	0.75	3495	1.3	1.63	77	0.75	2848	1.79	80.7	0.75	600	270	280
80-2	1.1	3495	1.66	2.08	84	0.79	2846	2.43	82.7	0.79	670	270	290
90S-2	1.5	3510	2.1	2.62	85.5	0.84	2852	3.06	84.2	0.84	610	230	270
90L-2	2.2	3525	3.04	3.8	86.5	0.84	2845	4.4	85.9	0.84	700	260	270
100L-2	3	3540	3.82	4.78	88.5	0.89	2851	5.59	87.1	0.89	760	250	280
112M-2	4	3540	5.1	6.37	88.5	0.89	2910	7.36	88.1	0.89	780	250	270
132S-2	5.5	3540	6.94	8.67	89.5	0.89	2905	10	89.2	0.89	780	240	290
132S-2	7.5	3545	9.49	11.86	90.2	0.88	2910	13.65	90.1	0.88	790	270	280
160M-2	11	3550	13.49	16.86	91	0.9	2920	19.34	91.2	0.9	790	220	300
160M-2	15	3550	18.19	22.74	91	0.91	2918	25.89	91.9	0.91	790	230	300
160L-2	18.5	3550	22.02	27.52	91.7	0.92	2922	31.41	92.4	0.92	800	240	290
180M-2	22	3555	27.06	33.83	91.7	0.89	2930	38.49	92.7	0.89	750	230	280
200L-2	30	3555	37.05	46.31	92.4	0.88	2925	52.74	93.3	0.88	670	240	270
200L-2	37	3560	44.38	55.48	93	0.9	2930	63.33	93.7	0.9	630	230	270
225M-2	45	3560	54.86	68.57	93.6	0.88	2930	78.52	94	0.88	690	230	280
250M-2	55	3565	67.05	83.81	93.6	0.88	2940	95.67	94.3	0.88	800	230	270
250M-2	75	3565	88.92	111.15	94.1	0.9	2940	127.02	94.7	0.9	800	230	270
280S-2	75	3565	86.99	108.74	94.1	0.92	2940	124.26	94.7	0.92	800	220	270
280M-2	90	3564	103.4	129.25	95	0.92	2940	148.64	95	0.92	770	220	260
280M-2	110	3555	127.77	159.71	95	0.91	2940	183.28	95.2	0.91	770	220	260
315S-2	110	3555	129.18	161.48	95	0.9	2940	185.31	95.2	0.9	770	200	230
315M-2	132	3560	153.32	191.65	95	0.91	2940	219.47	95.4	0.91	760	200	230
315M-2	150	3560	172	215	95.4	0.9	2945	247	95.6	0.9	780	200	230
80-4	0.75	1705	1.16	1.45	85.5	0.76	1420	1.73	82.5	0.76	540	230	290
90S-4	1.1	1710	1.64	2.05	86.5	0.78	1425	2.42	84.1	0.78	590	230	270
90L-4	1.5	1710	2.21	2.76	86.5	0.79	1420	3.21	85.3	0.79	640	240	270
100L-4	2.2	1710	3.01	3.76	89.5	0.82	1430	4.47	86.7	0.82	660	240	290
100L-4	3	1715	4.21	5.26	89.5	0.8	1430	6.17	87.7	0.8	690	240	280
112M-4	4	1715	5.68	7.1	89.5	0.79	1435	8.25	88.6	0.79	790	250	300
132S-4	5.5	1720	7.34	9.18	91.7	0.82	1430	10.81	89.6	0.82	710	230	280
132M-4	7.5	1720	9.9	12.37	91.7	0.83	1430	14.43	90.4	0.83	780	230	270
160M-4	11	1730	13.14	16.42	92.4	0.91	1440	19.09	91.4	0.91	790	250	280
160L-4	15	1730	17.6	22	93	0.92	1445	25.55	92.1	0.92	780	240	290
180M-4	18.5	1730	22.81	28.51	93.6	0.87	1445	33.15	92.6	0.87	780	240	300
180L-4	22	1740	26.52	33.15	93.6	0.89	1460	38.37	93	0.89	750	230	300
200L-4	30	1740	36.38	45.47	94.1	0.88	1460	52.57	93.6	0.88	790	240	270
225S-4	37	1745	49.14	61.43	94.5	0.8	1470	71.09	93.9	0.8	670	240	270
225M-4	45	1745	59.46	74.32	95	0.8	1480	86.19	94.2	0.8	700	230	280
250M-4	55	1750	65.78	82.23	95.4	0.88	1480	95.36	94.6	0.88	740	240	270
250M-4	75	1755	87.71	109.64	95.4	0.9	1480	126.62	95	0.9	740	240	270
280S-4	75	1760	86.74	108.43	95.4	0.91	1480	125.22	95	0.91	750	220	260
280M-4	90	1760	102.97	128.71	95.4	0.92	1480	148.32	95.2	0.92	770	220	260
315S-4	110	1780	128.1	160.13	95.8	0.9	1480	184.92	95.4	0.9	780	200	230
315M-4	132	1780	152.04	190.05	95.8	0.91	1480	219.01	95.6	0.91	780	200	230
315M-4	150	1781	177	221	96.2	0.88	1480	254	95.8	0.91	790	200	230

Frame	Power (KW)	60Hz					50Hz				LRC (%)	LRT (%)	BDT (%)
		Full Load Speed (r/min)	575V (A)	460V (A)	Eff. FL (%)	Power Factor	Full Load Speed (r/min)	400V (A)	Eff. FL (%)	Power Factor			
90L-6	1.1	1120	1.58	1.97	87.5	0.8	935	2.45	81	0.8	600	230	260
100L-6	1.5	1120	2.07	2.59	88.5	0.82	940	3.2	82.5	0.82	580	230	270
112M-6	2.2	1130	3.09	3.86	89.5	0.8	940	4.71	84.3	0.8	640	230	290
132S-6	3	1130	4.06	5.07	89.5	0.83	940	6.09	85.6	0.83	630	240	280
132M-6	4	1140	5.34	6.68	89.5	0.84	945	7.92	86.8	0.84	620	250	280
132M-6	5.5	1140	7.4	9.25	91	0.82	945	11	88	0.82	680	230	280
160M-6	7.5	1140	9.86	12.32	91	0.84	955	14.46	89.1	0.84	700	240	270
160L-6	11	1145	14.17	17.71	91.7	0.85	960	20.69	90.3	0.85	730	250	280
180L-6	15	1145	19.79	24.74	91.7	0.83	960	28.6	91.2	0.83	780	230	290
200L-6	18.5	1150	23.5	29.37	93	0.85	965	34.26	91.7	0.85	780	240	320
200L-6	22	1150	27.62	34.53	93	0.86	965	40.05	92.2	0.86	790	230	310
225M-6	30	1150	37.66	47.08	94.1	0.85	975	54.84	92.9	0.85	790	220	270
250M-6	37	1150	47.57	59.46	94.1	0.83	975	68.97	93.3	0.83	750	230	270
250M-6	45	1155	56.26	70.32	94.5	0.85	975	81.55	93.7	0.85	750	230	270
280S-6	45	1160	55.6	69.5	94.5	0.86	980	80.61	93.7	0.86	720	230	280
280M-6	55	1160	67.95	84.94	94.5	0.86	980	98.1	94.1	0.86	770	220	270
280M-6	75	1165	90.08	112.6	95	0.88	980	130.04	94.6	0.88	770	220	270
315S-6	75	1174	89.07	111.34	95	0.89	980	128.58	94.6	0.89	790	210	250
315M-6	90	1172	105.7	132.12	95	0.9	980	152.1	94.9	0.9	800	200	230
315L-6	110	1176	128.1	160.13	95.8	0.9	980	185.51	95.1	0.9	770	200	230
315L-6	132	1178	155.46	194.32	95.8	0.89	980	224.4	95.4	0.89	80	200	230

HP	Sync. Speed	Full Load Data					LRC (%)	LRT (%)	BDT (%)
		RPM	Eff%	PF Cos	460V (A)	575V (A)			
1	1800	1748	82.5	0.75	1.5	1.2	800	300	360
	1200	1121	80	0.73	1.7	1.4	470	225	245
1.5	3600	3483	82.5	0.84	2.1	1.7	900	345	410
	1800	1750	84	0.79	2.0	1.6	700	270	280
2	1200	1160	85.5	0.76	2.2	1.8	770	250	315
	3600	3467	84	0.89	2.5	2.0	840	280	340
2	1800	1750	84	0.81	2.7	2.2	700	260	270
	1200	1180	86.5	0.8	2.8	2.2	750	250	295
3	3600	3501	85.5	0.91	3.7	3.0	890	270	375
	1800	1754	87.5	0.83	3.9	3.1	870	280	355
3	1200	1171	87.5	0.82	4.1	3.3	780	200	290
	3600	3493	87.5	0.92	5.9	4.7	830	240	320
5	1800	1760	87.5	0.84	6.1	4.9	650	220	290
	1200	1164	87.5	0.84	6.4	5.1	730	175	255
7.5	3600	3511	88.5	0.91	8.9	7.1	840	240	330
	1800	1763	89.5	0.84	9.4	7.5	850	225	350
7.5	1200	1168	89.5	0.82	9.8	7.8	710	190	230
	3600	3512	89.5	0.92	11.4	9.1	800	215	290
10	1800	1757	89.5	0.87	12.1	9.7	840	280	325
	1200	1180	89.5	0.74	14.0	11.2	500	200	260
15	3600	3562	90.2	0.9	16.6	13.3	530	160	270
	1800	1766	91	0.89	17.5	14.0	720	215	265
15	1200	1182	90.2	0.82	19.2	15.4	830	225	330
	3600	3561	90.2	0.9	23.2	18.6	940	220	255
20	1800	1762	91	0.88	23.3	18.6	730	210	220
	1200	1180	90.2	0.78	25.9	20.7	560	135	200
25	3600	3552	91	0.9	29.0	23.2	930	350	310
	1800	1767	92.4	0.89	28.4	22.7	720	230	265
25	1200	1185	91.7	0.84	31.0	24.8	520	200	220
	3600	3549	91	0.91	34.0	27.2	860	240	300
30	1800	1761	91.4	0.9	33.7	27.0	680	230	280
	1200	1185	91.7	0.81	36.7	29.4	510	200	220
40	3600	3564	91.7	0.89	45.8	36.6	720	255	280
	1800	1777	93	0.89	45.9	36.7	660	225	270
40	1200	1185	93	0.8	49.7	39.8	540	150	250
	3600	3561	92.4	0.91	55.6	44.5	550	250	270
50	1800	1780	93	0.87	56.4	45.1	620	270	295
	1200	1185	93	0.81	60.6	48.5	450	160	250
60	3600	3550	93	0.89	67.5	54.0	550	140	280
	1800	1780	93.6	0.85	69.2	55.4	540	170	250
60	1200	1190	93.6	0.84	71.0	56.8	530	170	240
	3600	3550	93	0.89	82.3	65.8	570	120	200
75	1800	1780	94.1	0.86	86.4	69.1	550	190	260
	1200	1190	93.6	0.84	87.0	69.6	550	190	250
100	3600	3560	93.6	0.91	110.0	88.0	500	120	240
	1800	1780	94.5	0.88	112.0	89.6	540	130	230
100	1200	1190	94.1	0.81	124.0	99.2	540	150	260
	3600	3560	94.5	0.92	128.0	102.4	460	110	210
125	1800	1785	94.5	0.85	139.0	111.2	510	160	250
	1200	1190	94.1	0.84	143.0	114.4	470	130	220
150	3600	3560	94.5	0.93	155.0	124.0	620	140	280
	1800	1785	95	0.86	168.0	134.4	530	170	250
150	1200	1190	95	0.83	171.0	136.8	540	140	240
	3600	3560	95	0.94	210.0	168.0	530	130	240
200	1800	1785	95	0.87	226.0	180.8	500	170	240

TC RANGE IEC - Performance Reference



Frame	Power (KW)	60Hz					50Hz				LRC (%)	LRT (%)	BDT (%)
		Full Load Speed (r/min)	575V (A)	460V (A)	Eff. FL (%)	Power Factor	Full Load Speed (r/min)	400V (A)	Eff. FL (%)	Power Factor			
801-2	0.75	3495	1.3	1.7	75.5	0.75	2848	2	77.4	0.75	540	230	290
802-2	1.1	3495	1.7	2.1	82.5	0.79	2846	2.4	79.6	0.79	590	230	270
90S-2	1.5	3510	2.1	2.7	84	0.84	2852	3.1	81.3	0.84	640	240	270
90L-2	2.2	3525	3.1	3.8	85.5	0.84	2845	4.4	83.2	0.84	660	240	290
100L-2	3	3540	3.9	4.8	87.5	0.89	2851	5.5	84.6	0.89	690	240	280
112M-2	4	3540	5.2	6.5	87.5	0.89	2910	7.5	85.8	0.89	790	250	300
132S1-2	5.5	3540	7	8.8	88.5	0.89	2905	10.1	87	0.89	710	230	280
132S2-2	7.5	3545	9.6	12	89.5	0.88	2910	13.8	88.1	0.88	780	230	270
160M1-2	11	3550	13.6	17	90.2	0.9	2920	19.6	89.4	0.9	790	250	280
160M2-2	15	3550	18.4	22.9	90.2	0.91	2918	26.3	90.3	0.91	780	240	290
160L-2	18.5	3550	22.2	27.7	91	0.92	2922	31.9	90.9	0.92	780	240	300
180M-2	22	3555	27.3	34.1	91	0.89	2930	39.2	91.3	0.89	750	230	300
200L1-2	30	3555	37.3	46.7	91.7	0.88	2925	53.7	92	0.88	670	240	270
200L2-2	37	3560	44.7	55.8	92.4	0.9	2930	64.2	92.5	0.9	700	230	280
225M-2	45	3560	55.2	69	93	0.88	2930	79.4	92.9	0.88	740	240	270
250M-2	55	3565	67.5	84.4	93	0.88	2940	97.1	93.2	0.88	750	220	260
280S-2	75	3565	87.5	109.3	93.6	0.92	2940	125.7	93.8	0.92	770	220	260
280M-2	90	3564	103.9	129.9	94.5	0.92	2940	149.4	94.1	0.92	780	200	230
315S-2	110	3555	129.9	162.3	94.5	0.9	2940	186.6	94.3	0.9	540	230	290
315L1-2	150	3560	187.9	234.9	95	0.9	2945	270.1	94.8	0.9	590	230	270
802-4	0.75	1705	1.2	1.5	82.5	0.76	1420	1.7	79.6	0.76	540	230	290
90S-4	1.1	1710	1.7	2.1	84	0.78	1425	2.4	81.4	0.78	590	230	270
90L-4	1.5	1710	2.3	2.8	84	0.79	1420	3.2	82.8	0.79	640	240	270
100L1-4	2.2	1710	3.1	3.9	87.5	0.82	1430	4.5	84.3	0.82	660	240	290
100L2-4	3	1715	4.3	5.4	87.5	0.8	1430	6.2	85.5	0.8	690	240	280
112M-4	4	1715	5.8	7.3	87.5	0.79	1435	8.4	86.6	0.79	790	250	300
132S-4	5.5	1720	7.5	9.4	89.5	0.82	1430	10.8	87.7	0.82	710	230	280
132M-4	7.5	1720	10.1	12.7	89.5	0.83	1430	14.6	88.7	0.83	780	230	270
160M-4	11	1730	13.3	16.7	91	0.91	1440	19.2	89.8	0.91	790	250	280
160L-4	15	1730	18	22.5	91	0.92	1445	25.9	90.8	0.92	780	240	290
180M-4	18.5	1730	23.1	28.9	92.4	0.87	1445	33.2	91.2	0.87	780	240	300
180L-4	22	1740	26.9	33.6	92.4	0.89	1460	38.6	91.6	0.89	750	230	300
200L-4	30	1740	36.7	45.9	93	0.89	1460	52	92	0.89	750	230	300
225S-4	37	1745	49.9	62.4	93	0.8	1470	71.8	92.7	0.8	670	240	270
225M-4	45	1745	60.3	75.4	93.6	0.8	1480	86.7	93.1	0.8	700	230	280
250M-4	55	1750	66.7	83.4	94.1	0.88	1480	95.9	93.5	0.88	740	240	270
280S-4	75	1760	87.6	109.5	94.5	0.91	1480	125.9	94	0.91	750	220	260
280M-4	90	1760	103.9	129.9	94.5	0.92	1480	149.4	94.2	0.92	770	220	260
315S-4	110	1780	129.2	161.5	95	0.9	1480	185.7	94.5	0.9	780	200	230
315L1-4	150	1781	185.8	232.3	95	0.91	1480	267.1	94.9	0.91	790	200	230
90L-6	1.1	1120	1.6	2	85.5	0.8	935	2.3	78.1	0.88	740	240	270
100L-6	1.5	1120	2.1	2.7	86.5	0.82	940	3.1	79.8	0.9	740	240	270
112M-6	2.2	1130	3.2	3.9	87.5	0.8	940	4.5	81.8	0.91	750	220	260
132S-6	3	1130	4.1	5.2	87.5	0.83	940	6	83.3	0.92	770	220	260
132M1-6	4	1140	5.5	6.8	87.5	0.84	945	7.8	84.6	0.9	780	200	230
132M2-6	5.5	1140	7.5	9.4	89.5	0.82	945	10.8	86	0.91	780	200	230
160M-6	7.5	1140	10	12.5	89.5	0.84	955	14.4	87.2	0.91	790	200	230
160L-6	11	1145	14.4	18	90.2	0.85	960	20.7	88.7	0.9	770	200	230
180L-6	15	1145	20.1	25.2	90.2	0.83	960	29	89.7	0.89	790	200	230
200L1-6	18.5	1150	23.8	29.8	91.7	0.85	965	34.3	90.4	0.9	780	200	230
200L2-6	22	1150	28	35	91.7	0.86	965	40.3	90.9	0.88	740	240	270
225M-6	30	1150	38.1	47.6	93	0.85	975	54.7	91.7	0.9	740	240	270
250M-6	37	1150	48.1	60.2	93	0.83	975	69.2	92.2	0.91	750	220	260
280S-6	45	1160	56.1	70.2	93.6	0.86	980	80.7	92.7	0.92	770	220	260
280M1-6	55	1160	68.6	85.8	93.6	0.86	980	98.7	93.1	0.9	780	200	230
315S-6	75	1174	89.9	112.4	94.1	0.89	980	129.3	93.7	0.91	780	200	230
315M-6	90	1172	106.7	133.4	94.1	0.9	980	153.4	94	0.91	790	200	230
315L1-6	110	1176	129.2	161.5	95	0.9	980	185.7	94.3	0.9	770	200	230
355M1-6	150	1180	185.8	232.3	95	0.91	980	267.1	94.8	0.89	790	200	230

kW	HP	F.L. RPM	Frame	F.L. Amps		Efficiency			Power Factor			LRT %	LOCKED ROTOR AMPS		BDT %	NEMA Code	Noise Level dB (A)
				460V	575V	FL	0.75 FL	0.50 FL	FL	0.75 FL	0.50 FL		460V	575V			
0.2	0.25	1740	56	0.5	0.4	75.5	74.0	72.0	0.63	0.57	0.46	250	2.5	2	300	J	54
		1140	56	0.7	0.5	72.0	70.0	61.0	0.50	0.44	0.35	220	2.7	2.2	260	K	54
		820	56	0.8	0.7	57.5	52.0	42.0	0.47	0.43	0.35	200	2.3	1.85	250	J	51
0.25	0.33	3400	56	0.6	0.5	57.5	55.0	45.0	0.86	0.79	0.71	330	3.4	2.7	320	K	62
		1700	56	0.6	0.5	80.0	80.0	73.0	0.72	0.62	0.50	200	2.5	2	285	H	54
		1140	56	0.9	0.7	62.0	59.0	53.0	0.55	0.46	0.36	240	3.5	2.8	270	J	54
		820	56	1.2	0.9	62.0	57.0	48.0	0.45	0.40	0.33	210	3.1	2.5	265	J	51
0.37	0.5	3400	56	0.8	0.7	68.0	65.0	60.0	0.83	0.79	0.71	250	4.2	3.4	265	H	62
		1700	56	0.9	0.7	72.0	72.0	65.0	0.72	0.62	0.50	200	4.1	3.3	250	H	54
		1120	56	1.2	1.0	70.0	70.0	64.0	0.55	0.46	0.36	220	4.2	3.4	240	H	54
		860	143T	1.3	1.1	64.0	59.0	51.0	0.55	0.47	0.33	165	4	3.2	240	J	56
0.55	0.75	3400	56	1.1	0.9	75.5	71.0	64.0	0.82	0.79	0.70	230	6.6	5.3	260	H	62
		1700	56	1.4	1.1	78.5	77.0	75.0	0.68	0.61	0.48	220	6.4	5	280	H	54
		1140	143T	1.7	1.4	72.0	69.0	64.0	0.57	0.50	0.40	240	6.5	5.2	280	H	59
		860	145T	1.8	1.5	67.0	63.0	55.0	0.57	0.50	0.41	165	5.8	4.6	240	J	56
0.75	1	3500	56	1.4	1.1	78.5	77.0	72.0	0.84	0.78	0.68	240	8.8	7	300	H	64
		1720	56	1.6	1.3	80.0	80.0	77.0	0.75	0.65	0.49	250	9.1	7.3	270	J	51
		1720	143T	1.6	1.3	82.5	80.0	76.0	0.71	0.60	0.48	300	11.5	9.2	320	L	57
		1150	145T	1.9	1.5	80.0	78.0	75.0	0.62	0.54	0.40	270	11	8.8	270	K	59
		850	182T	2.1	1.7	74.0	74.0	71.0	0.60	0.55	0.42	200	8	6.4	240	H	54
1.1	1.5	3500	56	2.1	1.7	81.5	80.0	75.5	0.82	0.77	0.66	300	1.47	11.8	320	J	64
		3400	143T	2.0	1.6	82.5	82.5	81.5	0.85	0.82	0.75	260	14.5	11.6	300	J	72
		1750	56	2.5	2.0	78.5	80.0	77.0	0.72	0.61	0.50	270	14.9	14.9	330	J	51
		1710	145T	2.2	1.8	84.0	84.0	82.5	0.74	0.65	0.52	250	17	13.6	280	L	57
		1130	182T	2.4	1.9	85.5	85.5	85.0	0.70	0.62	0.50	220	19	15	250	H	56
		850	184T	2.1	2.5	77.0	77.0	73.0	0.60	0.55	0.42	200	12	9.6	240	H	54
1.5	2	3400	145T	2.6	2.1	84.0	85.0	84.0	0.85	0.82	0.75	300	24	19.6	350	L	72
		1710	145T	3.0	2.4	84.0	84.0	82.5	0.77	0.70	0.58	250	23	18	280	L	57
		1130	184T	3.1	2.5	86.5	86.5	86.0	0.75	0.67	0.55	220	24	19	250	H	56
		860	213T	3.3	2.7	82.5	82.5	80.0	0.68	0.59	0.45	190	14	11	230	H	54
2.2	3	3480	182T	3.5	2.8	85.5	85.5	85.0	0.92	0.90	0.85	300	32	25.6	320	K	64
		1750	182T	4.0	3.2	87.5	87.5	86.5	0.83	0.76	0.64	250	32	25.6	300	K	58
		1140	213T	4.3	3.4	87.5	87.5	87.0	0.75	0.67	0.55	220	30	24	250	J	56
		860	215T	4.9	3.9	84.0	84.0	81.0	0.68	0.59	0.45	190	25	20	230	H	54
3	5	3460	184T	5.7	4.6	87.5	87.5	87.0	0.93	0.91	0.88	300	46	37	320	J	64
		1740	184T	6.3	5.0	87.5	87.5	87.0	0.85	0.78	0.67	240	46	37	290	J	58
		1150	215T	7.1	5.7	87.5	87.5	87.0	0.75	0.67	0.55	220	45	36	140	H	56
5.5	7.5	3480	213T	8.5	6.8	88.5	88.5	88.0	0.93	0.91	0.87	220	63	51	250	H	60
		1740	213T	9.3	7.5	89.5	89.5	89.0	0.84	0.81	0.74	200	62	50	240	H	58
7.5	10	3480	215T	11.2	9.0	89.5	89.5	89.0	0.93	0.91	0.87	220	81	65	240	H	60
		1750	215T	12.5	10.0	89.5	89.5	89.0	0.84	0.81	0.74	200	81	65	240	H	58

HP	KW	FRAME	RPM	AMPS		EFFICIENCY			POWER FACTOR			LRT %	LRC LOCKED ROTOR AMPS		BDT %	NOISE LEVEL dB(A)
				460V	575v	FL	0.75FL	0.50FL	FL	0.75FL	0.50FL		460V	575V		
0.25	0.18	63	3370	0.6	0.4	64.0	66.0	57.0	0.64	0.54	0.42	220	1.7	1.4	220	48
		63	1645	0.8	0.6	58.0	62.0	57.0	0.52	0.45	0.37	200	1.8	1.4	200	38
		71	1056	0.8	0.6	61.0	59.0	53.0	0.57	0.50	0.39	187	2.3	1.8	175	46
0.33	0.25	63	3370	0.6	0.5	65.0	64.0	58.0	0.78	0.68	0.57	230	2.7	2.2	250	58
		71	1655	0.7	0.6	70.0	70.0	67.0	0.64	0.54	0.41	200	2.3	1.9	210	41
		80	1105	0.7	0.6	68.0	65.0	57.0	0.65	0.56	0.45	200	2.7	2.1	230	55
0.5	0.37	71	3370	0.9	0.7	71.0	72.0	68.0	0.75	0.64	0.50	230	3.7	3.0	240	58
		71	1655	1.0	0.8	73.0	73.0	69.0	0.63	0.54	0.42	220	3.7	3.0	220	41
		80	1105	1.1	0.9	65.0	59.0	51.0	0.65	0.55	0.43	200	3.7	2.9	220	55
0.75	0.55	71	3370	1.2	1.0	74.0	76.0	76.0	0.79	0.68	0.51	220	5.4	4.3	240	58
		80	1680	1.4	1.1	77.0	75.0	72.0	0.65	0.56	0.46	220	6.3	5.0	230	48
		80	1105	1.5	1.2	71.0	71.0	67.0	0.66	0.55	0.41	200	5.2	4.2	220	55
1	0.75	80	3420	1.6	1.3	78.0	78.0	74.0	0.77	0.73	0.61	250	8.7	6.9	275	59
		80	1680	1.8	1.0	77.0	77.0	74.0	0.70	0.60	0.48	220	7.9	4.5	230	48
		90S	1150	1.9	1.5	80.0	78.0	75.0	0.62	0.54	0.40	270	11.0	8.8	270	68
1.5	1.1	80	3420	2.3	1.8	79.0	78.0	73.0	0.80	0.74	0.64	250	14.4	11.5	275	59
		90S	1720	2.2	1.8	84.0	84.0	82.5	0.74	0.65	0.52	250	16.9	13.5	280	57
		90L	1130	3.0	2.4	77.0	76.0	74.0	0.60	0.50	0.40	280	15.0	12.0	300	68
2	1.5	90S	3460	2.6	2.1	84.0	85.0	84.0	0.85	0.82	0.75	300	24.6	19.6	350	69
		90L	1720	2.9	2.3	84.0	84.0	82.5	0.77	0.70	0.58	250	23.3	18.6	280	57
		100L	1140	4.4	3.5	77.0	76.0	73.0	0.56	0.47	0.37	250	19.8	15.8	280	66
3	2.2	90L	3460	3.7	3.0	85.5	88.5	85.5	0.87	0.84	0.75	300	33.3	26.7	350	69
		100L	1730	4.1	3.3	84.0	85.5	84.0	0.80	0.74	0.62	220	26.7	21.5	250	59
		112M	1140	4.8	3.9	81.5	81.5	79.0	0.70	0.60	0.47	250	27.8	22.6	280	58
4	3	100L	3470	4.9	3.9	87.5	87.5	86.5	0.88	0.85	0.75	280	44.1	35.1	300	64
		100L	1730	5.5	4.4	85.5	86.5	85.5	0.80	0.74	0.62	220	35.8	28.6	250	59
		132S	1150	6.1	4.8	87.5	87.5	85.5	0.71	0.64	0.52	220	39.7	31.2	270	62
5.5	4	112M	3470	6.2	4.9	87.5	88.5	87.5	0.93	0.90	0.84	300	55.8	44.1	310	65
		112M	1740	7.2	5.7	87.5	87.5	86.5	0.80	0.73	0.60	250	54.0	42.8	280	60
		132M	1150	8.1	6.4	87.5	87.5	95.5	0.72	0.65	0.55	200	39.0	41.6	250	62
7.5	5.5	132S	3490	8.7	6.9	88.5	89.5	88.5	0.90	0.86	0.79	260	58.3	60.0	290	59
		132S	1750	9.4	7.5	89.5	89.5	88.5	0.82	0.76	0.64	250	75.2	60.0	280	63
		132M	1150	11.1	8.9	86.5	86.5	84.0	0.72	0.65	0.55	220	77.7	62.3	270	62
10	7.5	132S	3500	11.6	9.2	89.5	90.2	89.5	0.91	0.87	0.80	280	104.4	82.8	310	59
		132M	1750	12.8	10.3	89.5	89.5	88.5	0.82	0.76	0.64	250	102.4	82.4	290	63

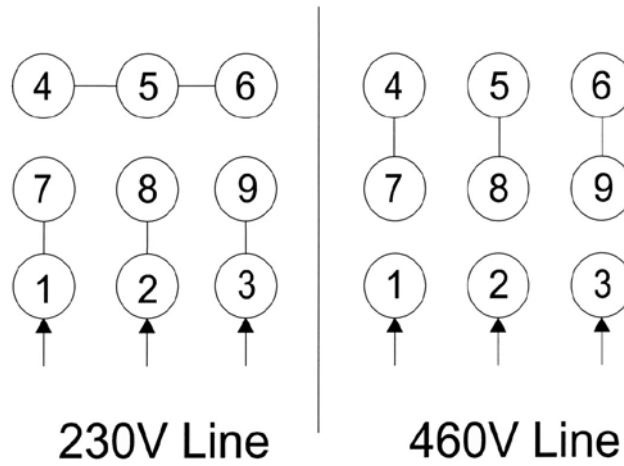
HP	FRAME	RPM	FL AMPS 460V	FL AMPS 575V	Eff. %	Power Factor	LRC (A) 460V	LRC (A) 575V	LRT (%)	BDT (%)
1	143	1725	1.68	1.34	82.5	0.68	15	12	275	300
	145	1150	1.79	1.43	80	0.62	15	12	270	265
1.5	143	3445	1.86	1.49	82.5	0.9	20	16	175	250
	145	1720	2.31	1.85	84	0.71	20	16	250	280
	182	1160	2.49	1.99	85.5	0.66	20	16	165	250
2	145	1720	2.91	2.33	84	0.77	25	20	235	270
	145	3445	2.45	1.96	84	0.95	25	20	170	240
	184	1155	3.13	2.5	86.5	0.65	25	20	160	240
3	182	1745	4.29	3.43	87.5	0.74	32	25.6	215	250
	182	3505	3.67	2.94	85.5	0.88	32	25.6	160	230
	213	1170	4.36	3.49	87.5	0.7	32	25.6	155	230
5	184	1740	6.36	5.09	87.5	0.84	46	36.8	185	225
	184	3505	5.96	4.77	87.5	0.89	46	36.8	150	215
	215	1165	7.32	5.86	87.5	0.72	46	36.8	150	215
7.5	213	1750	9.46	7.57	89.5	0.82	63.5	50.8	175	215
	213	3505	8.62	6.9	88.5	0.91	63.5	50.8	140	200
	254	1170	9.83	7.86	89.5	0.73	81	64.8	150	205
10	215	1745	12.6	10.08	89.5	0.84	81	64.8	165	200
	215	3505	11.55	9.24	89.5	0.91	81	64.8	135	200
	256	1170	13.3	10.64	89.5	0.79	116	92.8	150	200
15	254	1760	17.8	14.24	91	0.85	115	92	160	200
	254	3520	17.1	13.68	90.2	0.9	115	92	130	200
	284	1170	18.1	14.48	90.2	0.79	145	116	140	200
20	256	1755	23.6	18.88	91	0.88	145	116	150	200
	256	3515	20.2	16.16	90.2	0.9	145	116	130	200
	286	1170	24.8	19.84	90.2	0.84	182.5	146	135	200
25	284	1765	28.9	23.12	92.4	0.87	182.5	146	150	200
	284	3535	28.1	22.48	91	0.91	182.5	146	130	200
	324	1175	29.9	23.92	91.7	0.85	217.5	174	135	200
30	286	1760	34.9	27.92	92.4	0.86	217.5	174	150	200
	286	3525	33.4	26.72	91	0.91	217.5	174	130	200
	326	1175	35.2	28.16	91.7	0.86	290	232	135	200
40	324	1770	46.5	37.2	93	0.87	290	232	140	200
	324	3540	45.1	36.08	91.7	0.91	290	232	125	200
	364	1180	47.4	37.92	93	0.85	362.5	290	135	200
50	326	1770	57.3	45.84	93	0.87	362.5	290	140	200
	326	3550	55.1	44.08	92.4	0.91	362.5	290	120	200
	365	1180	58	46.4	93	0.86	435	348	135	200
60	364	1775	69.8	55.84	93.6	0.86	435	348	140	200
	364	3560	66.4	53.12	93	0.92	435	348	120	200
	404	1185	68.9	55.12	93.6	0.88	542.5	434	135	200
75	365	1775	86.8	69.44	94.1	0.85	542.5	434	140	200
	365	3565	81.1	64.88	93	0.92	542.5	434	105	200
	405	1185	83.5	66.8	93.6	0.88	725	580	135	200
100	405	1775	112.3	89.84	94.5	0.9	725	580	125	200
	405	3565	109.9	87.92	93.6	0.91	725	580	105	200
	444	1185	112.1	89.68	94.1	0.89	725	580	125	200
125	444	1780	135.8	108.64	94.5	0.88	907.5	726	110	200
	444	3570	131.4	105.12	94.5	0.91	907.5	726	100	200
	445	1185	135	108	94.1	0.89	907.5	726	125	200
150	445	1780	163.2	130.56	95	0.89	1085	868	110	200
	445	3570	158.8	127.04	94.5	0.92	1085	868	100	200
	447	1185	163.8	131.04	95	0.89	1085	868	120	200
200	447	1785	222.7	178.16	95	0.89	1450	1160	100	200
	447	3570	215.4	172.32	95	0.92	1450	1160	100	200
	449	1185	223.9	179.12	95	0.89	1450	1160	120	200
250	449	1185	288.8	231.04	95	0.85	1733	1386.4	225	263
	449	1785	273.4	218.72	95.5	0.9	1647	1317.6	206	271
	449	3575	271.2	216.96	95.4	0.9	1625	1300	208	265
300	449	1785	326.7	261.36	95.4	0.89	1877	1501.6	213	258
	449	3575	325.3	260.24	95.5	0.89	2144	1715.2	247	290

HP	kW	FRAME	RPM	FL AMPS 415V	EFFICIENCY			POWER FACTOR			LRT %	LRC 415V	BDT %	NOISE LEVEL dB(A) ⁽¹⁾
					FL	0.75	0.5	FL	0.75	0.5				
1	0.75	EF9OSZ	1430	1.9	75.0	74.0	70.0	0.75	0.67	0.55	190	10.1	230	52
		EF9OSZ	920	2.4	65.0	64.0	59.0	0.67	0.57	0.44	170	8.4	210	65
1.5	1.1	EF9OSZ	2900	2.3	78.0	76.0	72.0	0.85	0.80	0.71	310	17.3	330	68
		EF9OLZ	1420	2.7	77.0	77.0	76.0	0.73	0.63	0.51	200	13.5	230	52
2	1.5	EF9OSZ	2880	3.1	79.0	78.5	74.5	0.86	0.80	0.70	300	22	330	68
		EF9OSZ	1420	3.5	79.0	79.0	75.5	0.76	0.68	0.55	190	19.3	230	52
		EF100LZ	940	4.2	76.0	76.0	73.0	0.66	0.58	0.46	190	18.9	220	59
3	2.2	EF9OLZ	2870	4.3	81.0	81.0	77.0	0.87	0.83	0.74	300	32	330	68
		EF100LA	1420	4.8	81.0	81.0	78.5	0.78	0.70	0.56	190	28	270	53
		EF112MZ	940	5.8	77.0	78.0	77.0	0.68	0.60	0.49	190	26	220	59
4	3	EF100LZ	2880	5.5	84.0	83.0	81.0	0.90	0.86	0.77	340	41	400	71
		EF100LB	1420	6.7	83.0	83.0	81.5	0.75	0.67	0.52	270	44	300	53
		EF132SZ	950	6.6	82.0	81.0	78.0	0.77	0.70	0.55	230	40	230	58
5.5	4	EF112MZ	2890	7.2	85.0	85.0	83.0	0.91	0.87	0.78	240	54	300	69
		EF112MZ	1430	8.1	84.5	85.0	84.0	0.81	0.74	0.60	190	49	230	60
		EF132MA	950	9.1	83.0	83.0	81.0	0.74	0.67	0.55	190	50	300	58
7.5	5.5	EF132SA	2900	9.9	87.0	87.0	86.0	0.89	0.86	0.77	240	64	330	71
		EF132SZ	1440	10.7	86.0	86.0	85.0	0.83	0.78	0.66	190	73	230	67
		EF132MB	950	12.3	85.0	85.0	84.0	0.73	0.65	0.52	220	70	270	58
10	7.5	EF132SB	2890	13.5	88.0	89.0	88.0	0.88	0.87	0.81	220	92	330	71
		EF132MZ	1450	14.3	87.0	87.0	85.0	0.84	0.79	0.64	220	100	260	67
		EF160MZ	970	16.0	87.0	86.0	84.0	0.75	0.68	0.56	220	112	250	58
15	11	EF160MA	2940	19.8	89.0	89.0	88.0	0.87	0.82	0.75	250	139	300	73
		EF160MZ	1460	19.8	90.0	90.0	88.0	0.86	0.81	0.70	220	149	270	67
		EF160LZ	970	23.1	87.0	87.0	85.0	0.76	0.69	0.55	230	162	260	58
20	15	EF160MB	2920	26.1	90.0	91.0	90.0	0.89	0.88	0.84	210	162	270	73
		EF160LZ	1460	25.8	90.0	90.0	89.0	0.90	0.88	0.80	220	194	270	67
		EF180LZ	970	29.1	87.5	88.0	86.0	0.82	0.80	0.70	210	189	300	59
25	18.5	EF160LZ	2940	32	91.5	92.0	91.0	0.89	0.85	0.80	250	218	300	73
		EF180MZ	1460	32	91.0	91.0	89.5	0.88	0.85	0.80	240	224	310	70
		EF200LN	975	35	91.0	91.0	90.0	0.80	0.76	0.67	260	210	210	62
30	22	EF180MZ	2930	36	91.5	91.0	89.0	0.92	0.91	0.88	240	270	270	72
		EF180LZ	1460	40	91.0	91.0	89.5	0.85	0.81	0.77	250	280	320	70
		EF200LN	975	42	91.5	92.0	90.5	0.80	0.76	0.67	260	252	210	62
40	30	EF200LN	2935	50	92.9	93.0	92.0	0.89	0.86	0.80	240	375	290	73
		EF200LN	1470	51	93.2	93.0	92.3	0.87	0.85	0.77	230	372	320	65
		EF225MN	980	56	92.7	92.7	91.7	0.80	0.76	0.67	220	364	240	63
50	37	EF200LN	2935	62	93.3	93.3	92.0	0.89	0.86	0.80	240	465	290	73
		EF225SN	1470	64	93.6	93.6	92.5	0.87	0.85	0.77	230	467	320	66
		EF250SN	980	67	93.2	93.2	92.0	0.82	0.78	0.69	220	436	240	63
60	45	EF225MN	2955	74	93.9	93.7	92.5	0.90	0.88	0.83	230	577	280	75
		EF225MN	1475	77	94.2	94.2	93.0	0.86	0.84	0.75	270	593	320	67
		EF250MN	985	81	93.4	93.3	92.3	0.83	0.79	0.71	250	486	200	65
75	55	EF250SN	2955	90	94.4	94.2	93.0	0.90	0.88	0.83	230	702	280	75
		EF250SN	1475	94	94.6	94.6	93.5	0.86	0.84	0.75	270	724	320	67
		EF280SN	985	98	93.8	93.6	92.6	0.83	0.79	0.71	250	598	200	65
100	75	EF250MN	2960	122	95.2	94.9	93.4	0.90	0.88	0.83	220	952	300	77
		EF250MN	1475	126	94.9	94.8	93.5	0.87	0.85	0.75	240	932	270	69
		EF280MN	985	132	94.3	94.1	93.0	0.84	0.81	0.72	300	924	260	68
125	90	EF280SN	2960	146	95.3	95.0	93.5	0.90	0.88	0.83	220	1139	300	77
		EF280SN	1475	151	95.2	95.1	93.8	0.87	0.85	0.75	250	1117	280	69
		EF315SN	985	158	94.5	94.3	93.4	0.84	0.80	0.72	300	1106	260	68
150	110	EF280MN	2978	177	95.8	95.4	94.0	0.90	0.88	0.83	220	1381	290	78
		EF280MN	1480	184	95.6	95.5	94.0	0.87	0.85	0.77	240	1417	260	71
		EF315MN	985	190	94.8	94.7	93.8	0.85	0.81	0.73	280	1273	200	70
200	150	EF315MN	2980	238	96.2	95.8	94.3	0.91	0.89	0.85	200	1856	275	80
		EF315MN	1485	247	95.9	95.7	94.7	0.88	0.86	0.78	240	1927	270	73

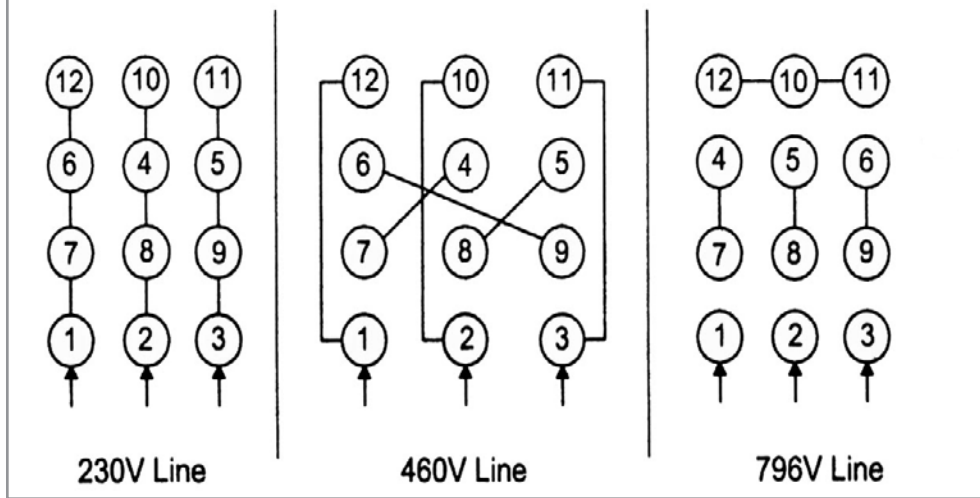
NOTE: (1) Mean Sound Pressure levels measured at 1 meter no load.

Frame	Power (KW / HP)	Full Load Speed (r/min)	400V (A)	Eff. FL (%)	Power Factor	LRC (%)	LRT (%)	BDT (%)
80ME	0.75 / 1.0	2850	1.69	77	0.83	550	220	250
80MJ	1.1 / 1.5	2875	2.39	81	0.82	670	270	270
90SF	1.5 / 2.0	2850	3.2	82	0.82	600	250	300
90LM	2.2 / 3.0	2860	4.4	84	0.86	630	250	300
100LJ	3.0 / 4.0	2880	5.7	86.5	0.88	780	300	310
112MM	4.0 / 5.5	2870	7.2	88	0.91	780	300	310
132SE	5.5 / 7.5	2910	10	89.5	0.89	820	270	310
132SJ	7.5 / 10	2900	13.3	89.5	0.91	820	250	300
160MB	11.0 / 15	2935	19.7	90.5	0.89	780	220	300
160MJ	15.0 / 20	2935	26.3	91.3	0.9	800	220	310
160LR	18.5 / 25	2940	32	91.8	0.91	870	240	320
180ME	22 / 30	2950	37	92.2	0.92	900	220	310
200LGX	30 / 40	2940	52	92.9	0.89	780	270	290
200LNX	37 / 50	2940	64	93.3	0.89	780	270	290
225MN	45 / 60	2955	77	93.7	0.9	780	230	280
250SN	55 / 75	2955	94	94	0.9	780	230	280
250MN	75 / 100	2960	127	94.6	0.9	780	220	300
280SN	90 / 125	2960	152	95	0.9	780	220	300
280MN	110 / 150	2980	184	95.8	0.9	780	220	290
315MN	150 / 200	2980	247	96.2	0.91	780	200	275
80MG	0.75 / 1.0	1410	1.88	78	0.74	440	180	220
90SE	1.1 / 1.5	1410	2.63	79.5	0.76	510	220	250
90LK	1.5 / 2.0	1435	3.5	81	0.77	560	250	280
100LJ	2.2 / 3.0	1435	4.5	83.5	0.8	550	220	250
100LR	3.0 / 4.0	1440	6.4	84.5	0.8	580	230	250
112MS	4.0 / 5.5	1445	8.3	86.5	0.8	700	250	290
132SJ	5.5 / 7.5	1445	11	86	0.82	750	240	290
132MR	7.5 / 10	1450	14.7	89	0.83	750	250	290
160MJ	11.0 / 15	1460	21	91	0.83	770	250	290
160LR	15.0 / 20	1470	28.1	91.8	0.84	770	250	290
160ME	18.5 / 25	1470	34	92.2	0.84	840	280	320
180LJ	22 / 30	1470	41	92.6	0.84	750	250	290
200LNX	30 / 40	1470	54	93.2	0.86	750	230	320
225SN	37 / 50	1470	66	93.6	0.86	730	230	320
225MN	45 / 60	1470	80	93.9	0.86	770	270	320
250SN	55 / 75	1475	98	94.2	0.86	770	270	320
250MN	75 / 100	1475	131	94.7	0.87	740	240	270
280SN	90 / 125	1475	157	95	0.87	740	250	280
280MN	110 / 150	1480	191	95.6	0.87	770	240	260
315MN	150 / 200	1485	257	95.9	0.89	780	240	270
90SG	0.75 / 1.0	920	2.12	74	0.69	410	220	240
90LT	1.1 / 1.5	940	3.2	78	0.63	450	280	300
100LR	1.5 / 2.0	930	4.3	79	0.64	420	200	230
112MS	2.2 / 3.0	950	5.5	82.5	0.7	580	280	280
132SG	3.0 / 4.0	965	7.1	86	0.71	650	220	270
132ML	4.0 / 5.5	960	9	86.5	0.74	620	210	260
132MM	5.5 / 7.5	960	12.3	87	0.74	550	200	250
160MM	7.5 / 10	975	16	90	0.75	650	180	280
160LV	11.0 / 15	975	22.7	91	0.77	750	200	280
180LM	15.0 / 20	975	31	91	0.78	650	240	280
200LGX	18.5 / 25	975	37	91.2	0.8	700	230	200
200LNX	22 / 30	975	43	91.7	0.8	700	230	200
225MN	30 / 40	980	58	92.7	0.8	600	270	210
250SN	37 / 50	980	70	93.2	0.82	600	270	210
250MN	45 / 60	985	84	93.4	0.83	600	250	200
280SN	55 / 75	985	102	93.8	0.83	610	250	200
280MN	75 / 100	985	137	94.3	0.84	700	300	260
315SN	90 / 125	985	164	94.5	0.84	700	300	260
315MN	110 / 150	985	197	94.8	0.85	670	280	200
355SG	150 / 200	985	267	95.5	0.85	670	170	210

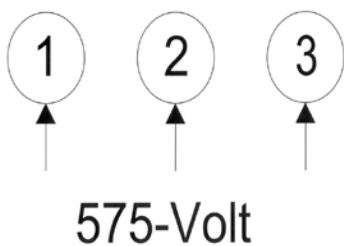
CONNECTION DIAGRAM
(Across-The-Line Starting)



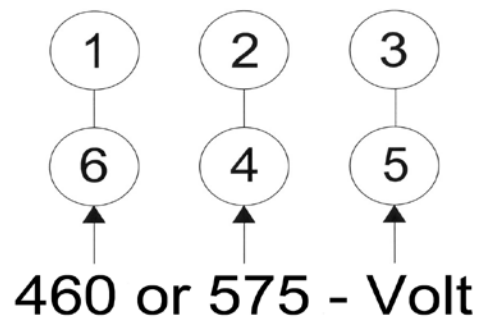
CONNECTION DIAGRAM (Across -The - Line Starting)



CONNECTION DIAGRAM
(Across-The-Line Starting)

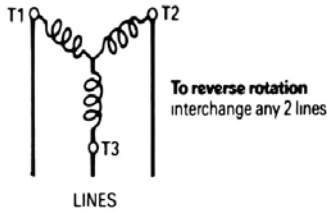


CONNECTION DIAGRAM
(Across-The-Line Starting)

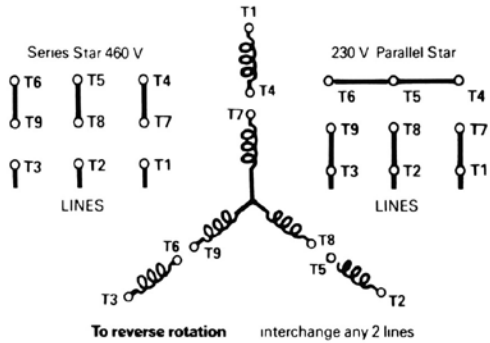


A POLYPHASE SINGLE VOLTAGE ACROSS-THE-LINE STARTING

STATOR WINDING
3 wires out

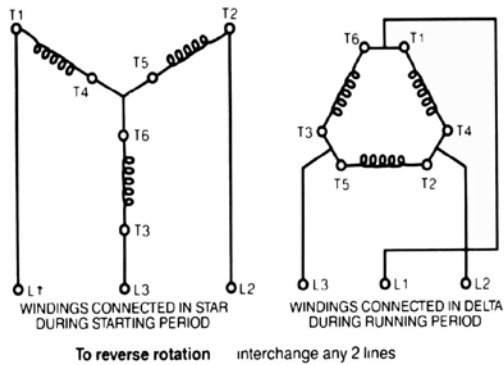


B POLYPHASE DUAL VOLTAGE - Series Parallel Star for motors up to and including 20 h p

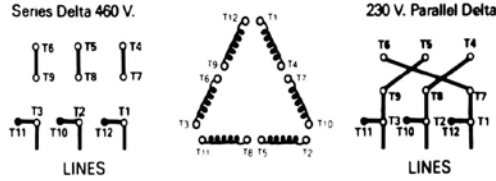


208 volts - connect as for 230 volt
416 volts - connect as for 460 volt
This applies to diagrams B and C

D SINGLE VOLTAGE STAR DELTA STARTING



C POLYPHASE DUAL VOLTAGE - Series Parallel Delta for motors above 20 h.p. 12 leads out to 9 terminals.



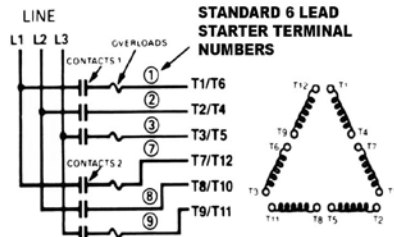
For Across-the-Line starting connect as below -

Voltage	Line Connections			Link together
	L1	L2	L3	
460	T1	T2	T3	T4-T7, T5-T8, T6-T9
230	T1	T2	T3	T1-T6-T7, T2-T4-T8 T3-T5-T9

For Wye-Delta starting, remove leads T10, T11 and T12 from terminals T2, T3 and T1 respectively and connect as below -

Voltage	Connect to Starter	Link together
230	T1, T2, T3, T10, T11, T12	T1-T7, T2-T8, T3-T9 T10-T4, T11-T5, T12-T6

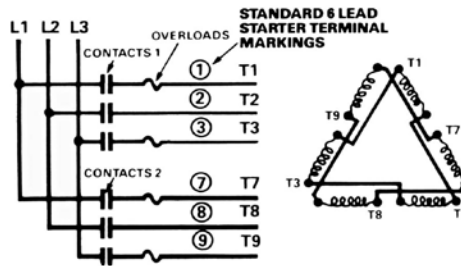
For Part-Winding starting (on 230 V. only) remove leads T10, T11 and T12 from T2, T3 and T1 respectively and connect as below -
NOTE - The current rating of the overload heaters should be half the motor F L C. for part-winding starting



Contacts 1 are closed first, followed shortly by contacts 2

E POLYPHASE Part Winding Start Motor with 6 leads from Stator Winding

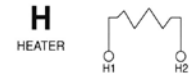
NOTE - The current rating of the overload heaters should be half the motor F L C. for part winding starting (Full Load Current)



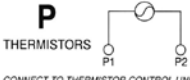
Contacts 1 are closed first, followed shortly by contacts 2.

For Auto-Transformer or Across-the-Line starting connects
L1 - (T1, T7)
L2 - (T2, T8)
L3 - (T3, T9)

AUXILIARIES (WHEN FITTED) ARE MARKED AS SHOWN BELOW



CONNECT TO SINGLE PHASE SUPPLY
ON CERTIFIED HAZARDOUS AREA MOTORS, HEATERS (IF FITTED) MUST BE INTERLOCKED TO PREVENT OPERATION WHEN WINDINGS ARE ENERGIZED.



CONNECT TO THERMISTOR CONTROL UNIT



CONNECT TO THERMISTOR CONTROL UNITS



CONNECT TO OVERLOAD PROTECTION CIRCUIT

IT IS MANDATORY ON CERTIFIED HAZARDOUS AREA MOTORS TO CONNECT THERMISTORS OR THERMOSTATS INTO MOTOR CONTROL CIRCUIT.

MAGNETIC BRAKES

ARE MARKED B1 & B2 FOR SINGLE PHASE BRAKES AND B1, B2 & B3 FOR THREE PHASE BRAKES. BRAKE LEADS CONNECT AS DIAGRAM UNLESS BRAKE IS EXCITED FROM SEPARATE SUPPLY

NEMA Explosion Proof	
NEMA FRAME	EST WT. (lbs)
143	57
145	62
182	108
184	117
213	194
215	209
254	341
256	348
284	482
286	526
324	640
326	695
364	845
365	902
405	1263
444	1637
445	1738
447	2202
449	2794

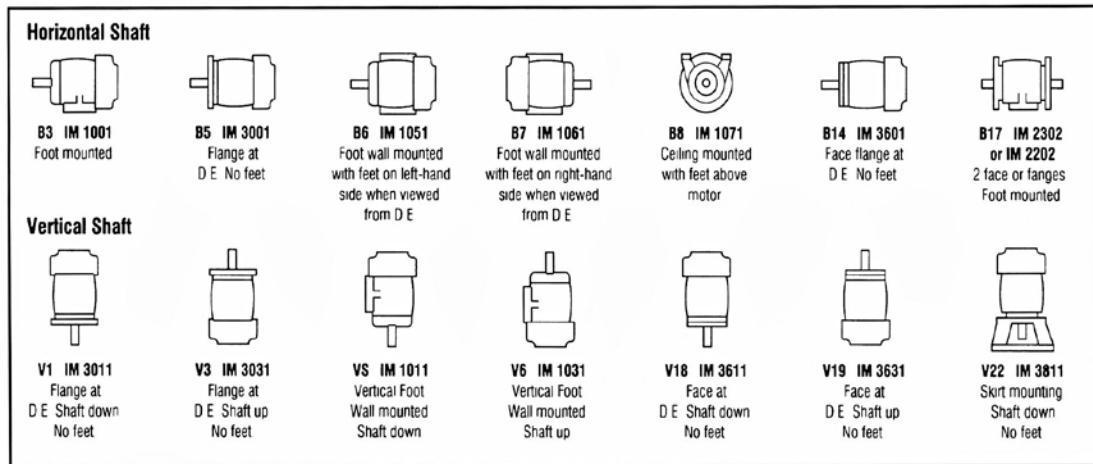
	TC CAST IRON	TA ALUMINUM
NEMA FRAME	EST WT. (lbs)	EST WT. (lbs)
143T	50	28
145T	55	33
182T	90	57
184T	106	63
213T	154	107
215T	173	126
254T	286	
256T	319	
284T	376	
286T	416	
324T	565	
326T	603	
364T	733	
365T	807	
404T	1016	
405T	1060	
444T	1555	
445T	1797	
447T	2053	

PE III SERIES			
		PC CAST IRON	PA ALUMINUM
NEMA FRAME	METRIC FRAME	EST WT. (lbs)	EST WT. (lbs)
	80	51	26
143T	90S	55	31
145T	90L	60	36
	100L	90	50
182T		106	60
184T	112M	114	66
213T	132S	170	110
215T	132M	194	129
254T	160M	309	
256T	160L	346	
284T	180M	441	
286T	180L	443	
324T	200M	631	
326T	200L	654	
364T	225S	886	
365T	225M	958	
404T	250S	1025	
405T	250M	1092	
444T	280S	1858	
445T	280M	1947	
447T		2128	

W - ALUMINUM CONSTRUCTION		
NEMA FRAME	METRIC FRAME	EST WT. (lbs)
	63	12
	71	15
56	80	22
143T	90S	30
145T	90L	35
	100L	60
182T		69
184T	112M	73
213T	132S	110
215T	132M	123

NOTE: SHIPPING WEIGHTS SHOWN ARE ESTIMATED AND BASED ON STANDARD FOOT MOUNTED MOTOR DESIGNS

IEC Mounting Codes



Definition IP (Ingress Protection) IEC Metric Motors

IP 5 5

Protection Against Solid Objects Protection Against Liquids			Protection Against Liquids		
#	Brief Description*	Definitions	#	Brief Description*	Definitions
0	Non-protected machines	No special protection	0	Non-protected machines	No special protection
1	Machine protected against solid objects greater than 50 mm**	Accidental or inadvertent contact with or approach to live and moving parts inside the enclosure by a large surface of the human body, such as a hand (but no protection against deliberate access). Ingress of solid objects exceeding 50 mm in diameter	1	Machine protected against dripping water	Dripping water (vertically falling drops) shall have no harmful effect.
2	Machine protected against solid objects greater than 12 mm**	Contact by fingers or similar objects not exceeding 80 mm in length with or approach to live or moving parts inside the enclosure. Ingress of solid objects exceeding 12 mm in diameter.	2	Machine protected against dripping water when tilted up to 15°	Vertically dripping water shall have no harmful effect when the machine is tilted in any angle up to 15° from its normal position
3	Machine protected against solid objects greater than 2.5 mm**	Contact with or approach to live or moving parts inside the enclosure by tools or wires exceeding 2.5 mm in diameter. Ingress of solid objects exceeding 1 mm in diameter.	3	Machine protected against spraying water	Vertically dripping water shall have no harmful effect when the machine is tilted in any angle up to 15° from its normal position
4	Machine protected against solid objects greater than 1mm**	Contact with or approach to live or moving parts inside the enclosure by wires or strips of thickness greater than 1 mm in diameter.	4	Machine protected against splashing water	Water falling as a spray at any angle up to 60° from the vertical shall have no harmful effect
5	Dust-protected machine†	Contact with or approach to live or moving parts inside the enclosure. Ingress of dust is not totally prevented but dust does not enter in sufficient quantity to interfere with satisfactory operation of the machine.	5	Machine protected against water jets	Water projected by a nozzle against the machine from any direction shall have no harmful effect.
6	Dust-tight machine†	Contact with or approach to live or moving parts inside the enclosure. No ingress of dust	6	Machine protected against heavy seas	Water from heavy seas or water projected in powerful jets shall not enter the machine in harmful quantities.

* The brief description given in column 2 on this table should not be used to specify the form of protection.

** Machines assigned a first characteristic number 1,2,3 or 4 will exclude both regularly or irregularly shaped solid objects proved that three normally per perpendicular dimensions of the object exceed the appropriate figure in column "Definition".

† The degree of protection against dust defined by this standard is a general one. When the nature (dimensions of particles, their nature, for instance fibrous particles) is specified, test conditions should be determined by an agreement between manufacturer and user.

